



US00D416365S

United States Patent [19]

Case et al.

[11] Patent Number: Des. 416,365

[45] Date of Patent: ** Nov. 9, 1999

[54] IRON SAFETY HOLDER

[76] Inventors: **Bryan G. Case**, 1073 W. Walden Wood Dr., Murray, Utah 84123; **Shannon P. Flynn**, 1078 N. Valentine, Salt Lake City, Utah 84116

[**] Term: 14 Years

[21] Appl. No.: 29/094,959

[22] Filed: Oct. 14, 1998

[51] LOC (6) Cl. 07-05

[52] U.S. Cl. D32/73

[58] Field of Search D32/73, 71; 248/126, 248/133, 112, 167, 153, 175, 218.1, 249, 502, 117.1, 117.2, 117.3-6, 117.7; 38/94, 96, 103, 104, 107; D8/370

[56] References Cited

U.S. PATENT DOCUMENTS

1,523,555	1/1925	Murphy	248/117.1
1,814,517	7/1931	McDowell	248/117.2
1,966,036	7/1934	Malamud	248/117.4
2,235,986	3/1941	Ellingson	248/249
2,584,011	1/1952	Greenberg et al.	248/117.2
3,027,129	3/1962	Sorlie	248/117.3
3,054,588	9/1962	Ondrasik	248/117.4
3,204,903	9/1965	Stoddard	248/117.1
3,370,816	2/1968	Michaud	248/117.6
4,368,863	1/1983	Gentile	.

4,525,942	7/1985	Azzara	.
4,657,213	4/1987	Hartlage	.
4,918,845	4/1990	Livecchi	.
5,013,003	5/1991	Driessen et al.	.
5,154,379	10/1992	Parish	.
5,755,413	5/1998	Press 248/175

Primary Examiner—Susan J. Lucas
Assistant Examiner—Cynthia Ramirez
Attorney, Agent, or Firm—M. Reid Russell

[57] CLAIM

The ornamental design for a iron safety holder, as shown and described.

DESCRIPTION

FIG. 1 is a right side perspective view taken from the top and side of an iron safety holder shown fitted to an end of an ironing board, shown in broken lines, and with an iron, shown in broken lines, maintained therein, showing our new design;

FIG. 2 is a left side perspective view thereof;

FIG. 3 is a top plan view thereof;

FIG. 4 is a left side elevation view thereof;

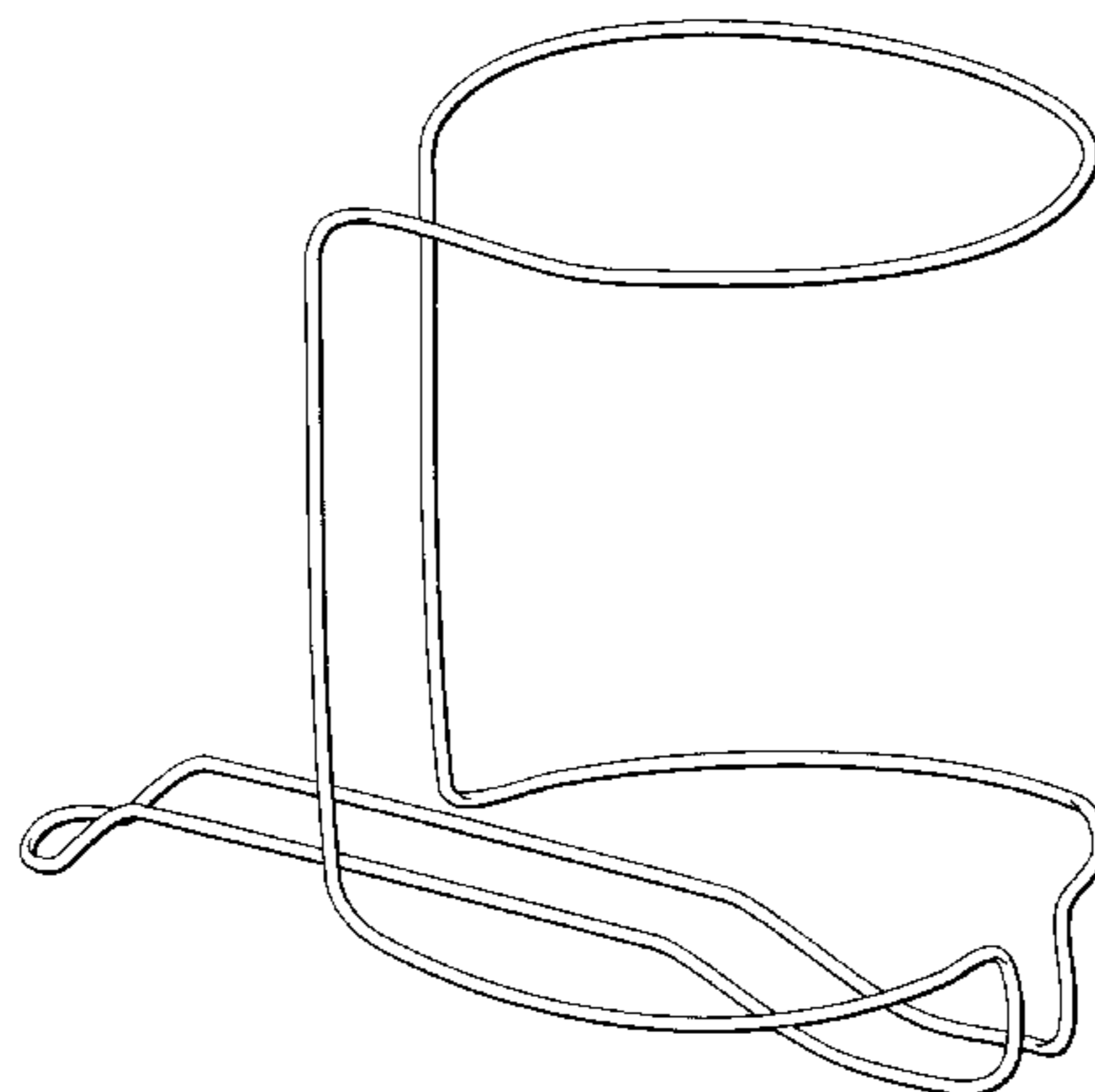
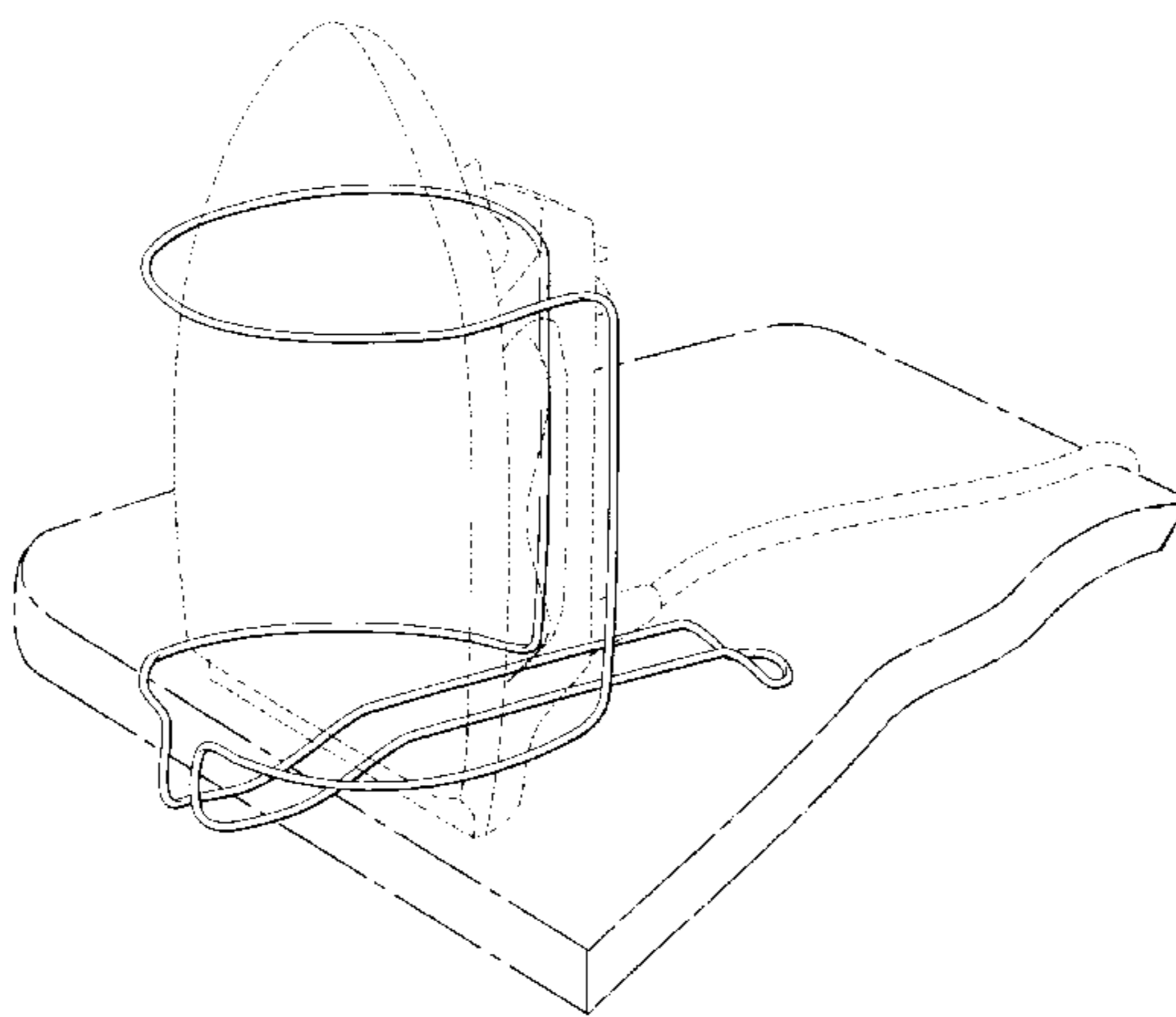
FIG. 5 is a bottom plan view thereof;

FIG. 6 is a rear elevation view thereof; and,

FIG. 7 is a front elevation view thereof.

The broken line showing of the ironing table and the iron in FIG. 1 is for illustrative purposes only and forms no part of the claimed design.

1 Claim, 3 Drawing Sheets



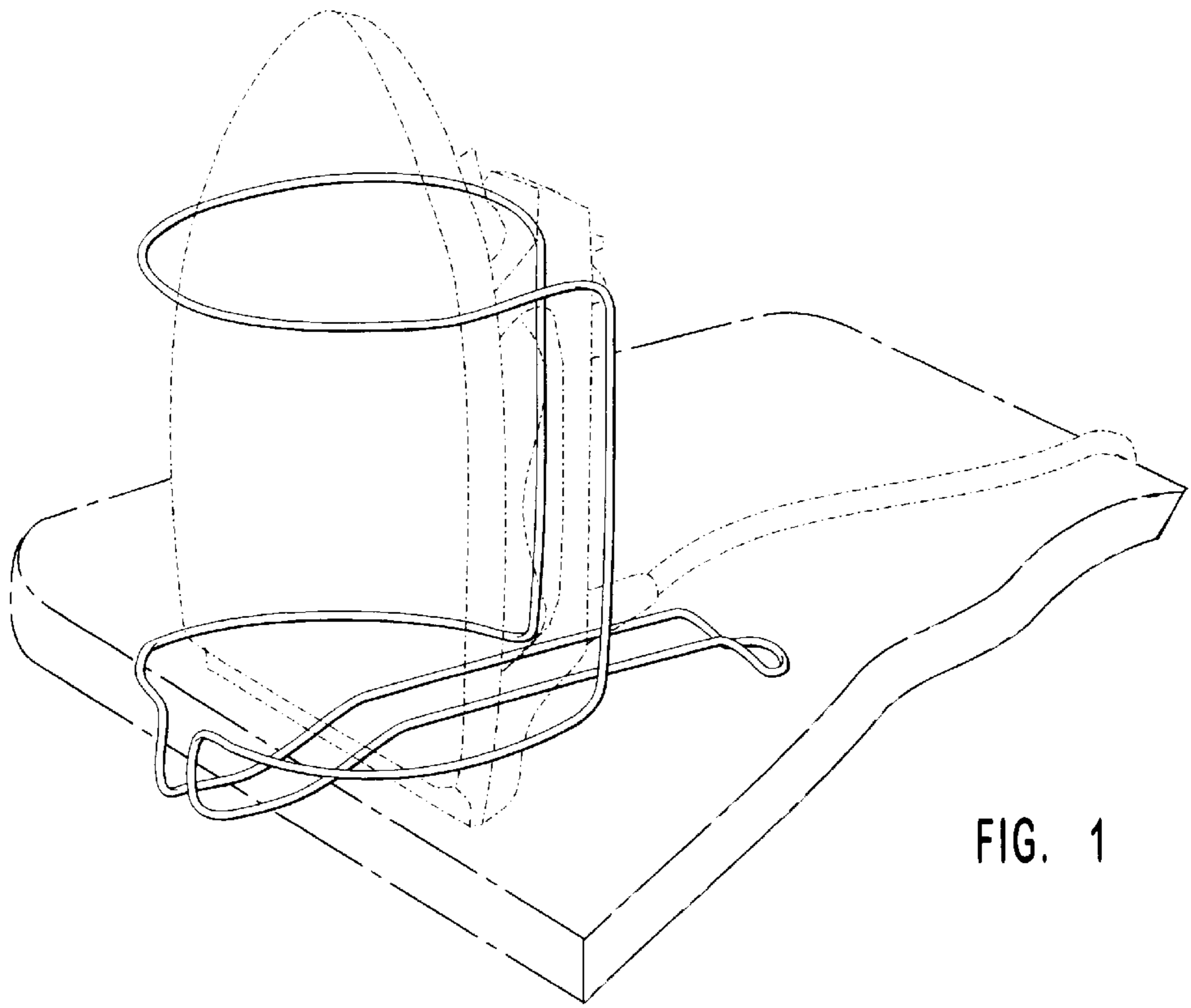


FIG. 1

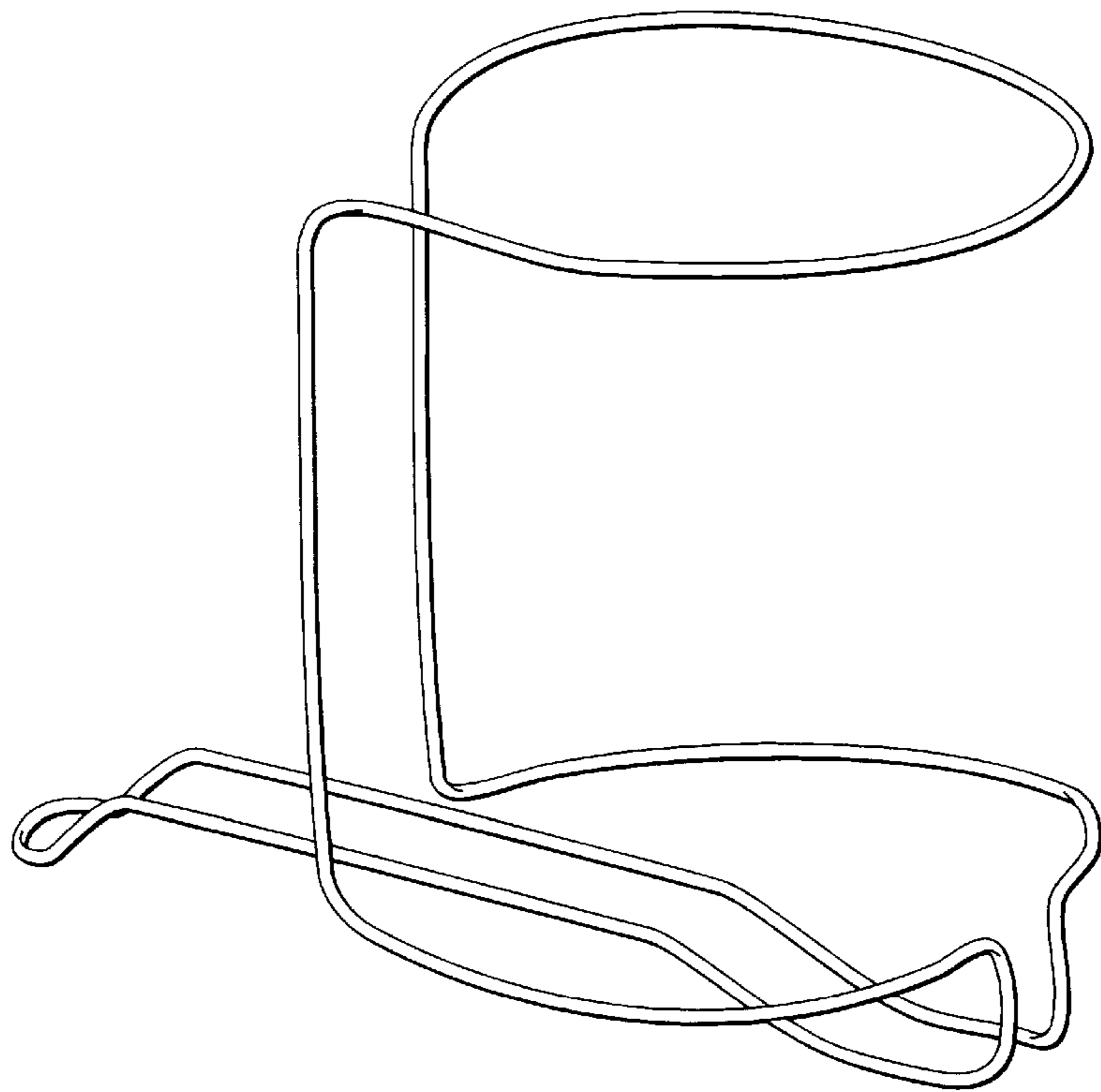


FIG. 2

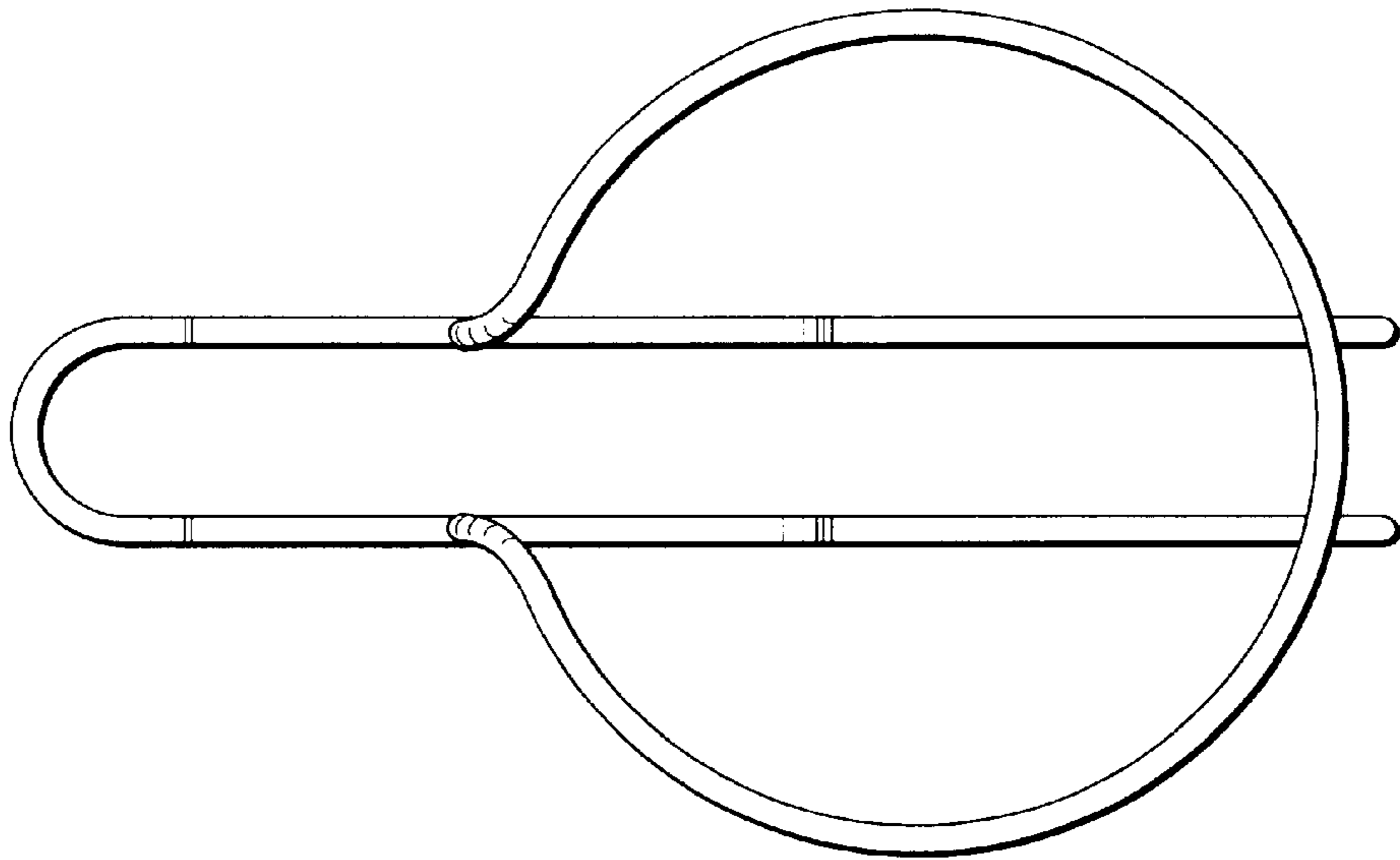


FIG. 3

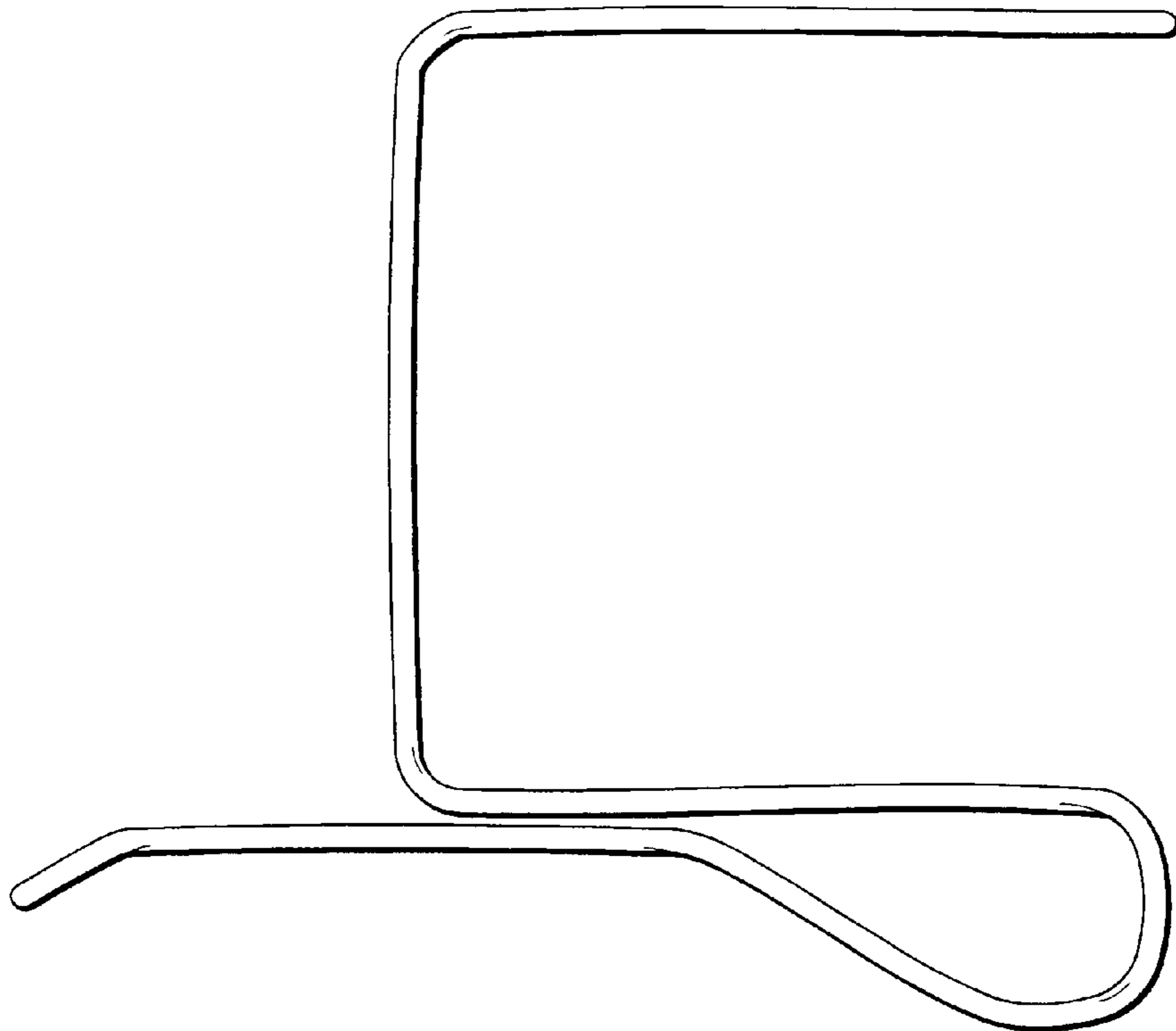


FIG. 4

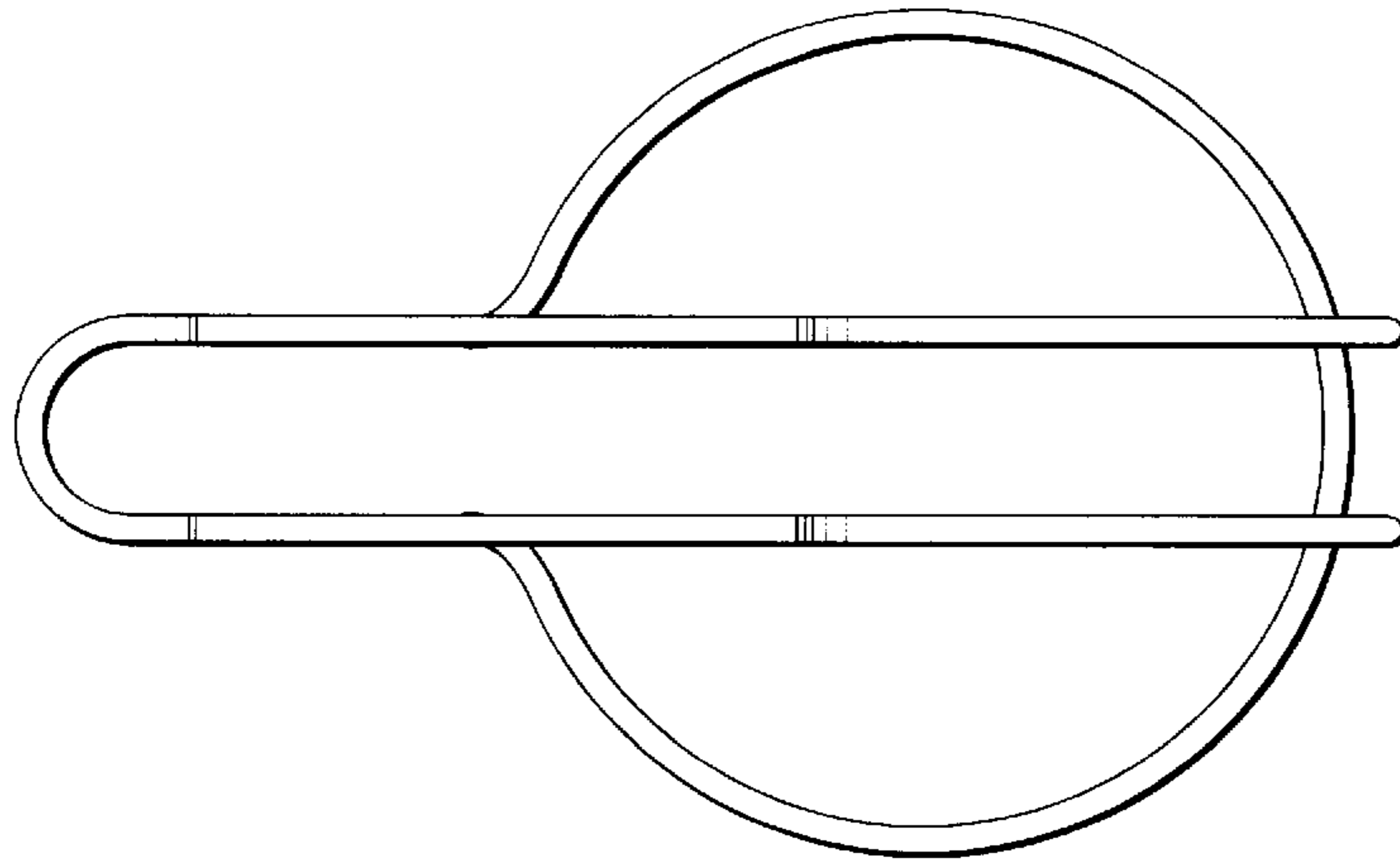


FIG. 5

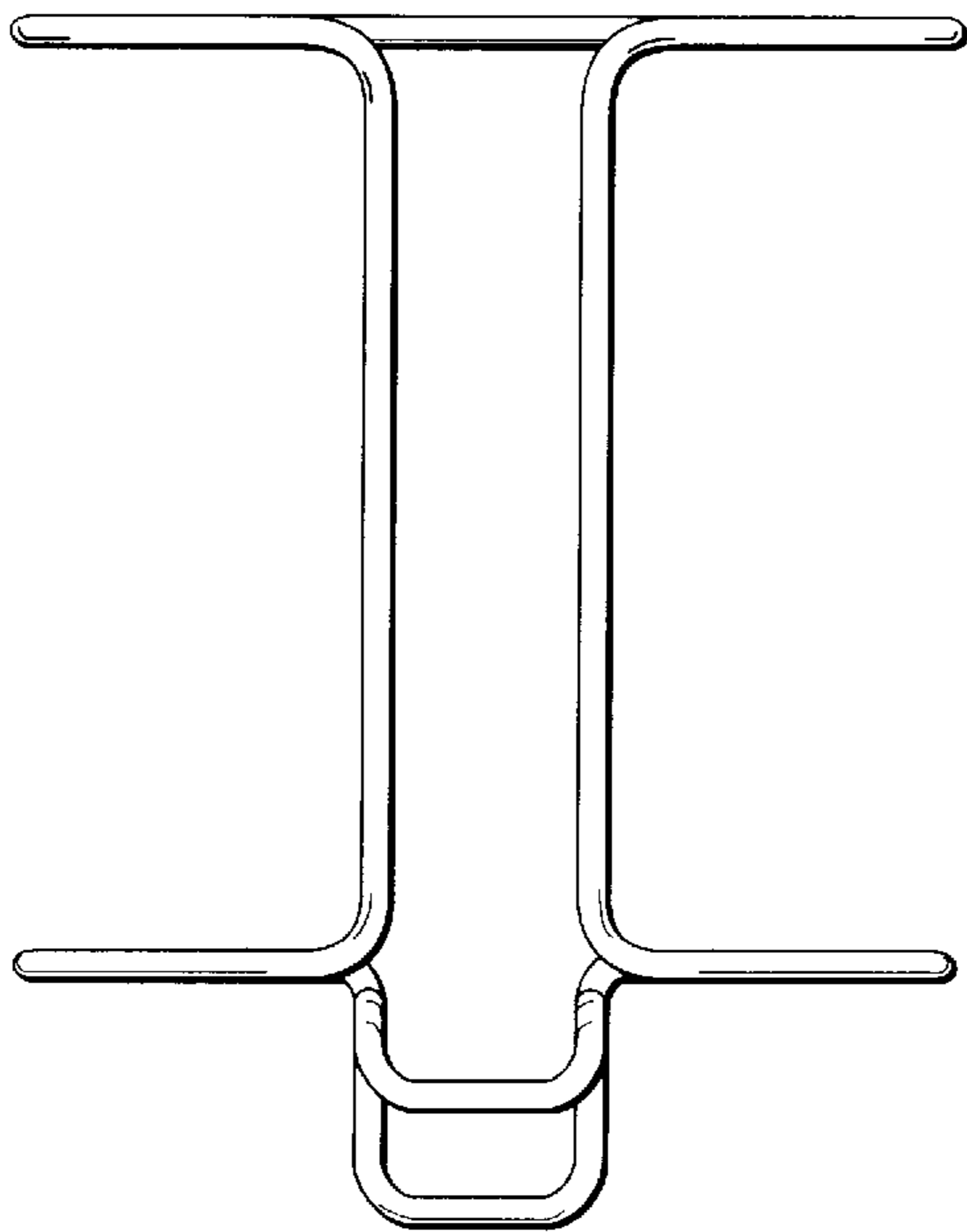


FIG. 6

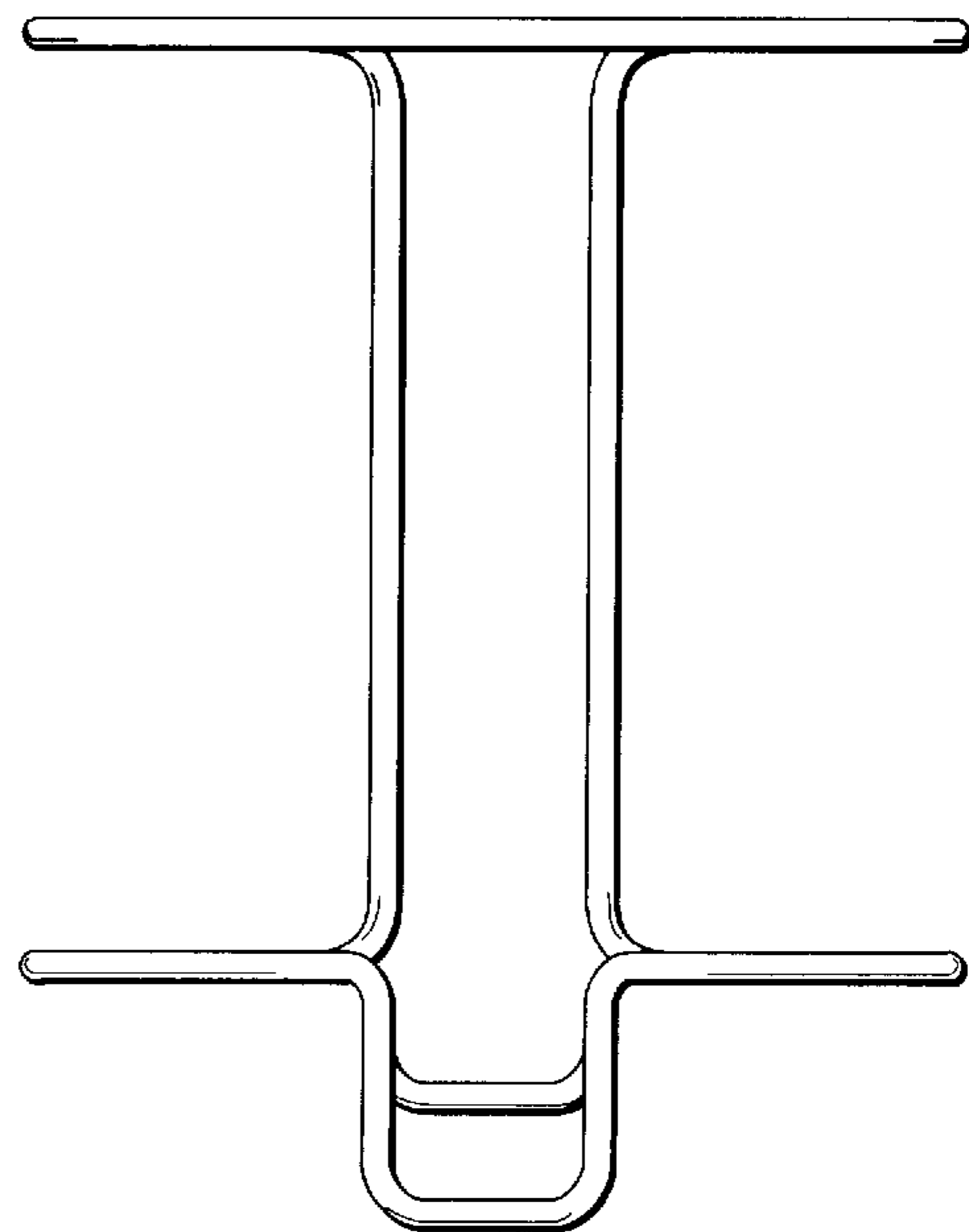


FIG. 7