



US00D416364S

United States Patent [19]

Newhall

[11] Patent Number: Des. 416,364

[45] Date of Patent: ** Nov. 9, 1999

[54] WIRE DISH RACK

D. 370,323 5/1996 Lafond D32/55
5,012,934 5/1991 Newhall .

[76] Inventor: Robert J. Newhall, 520 Pamona Ave.,
Albany, Calif. 94706

Primary Examiner—Susan J. Lucas
Assistant Examiner—Cynthia E. Ramirez
Attorney, Agent, or Firm—Bruce & McCoy

[**] Term: 14 Years

[21] Appl. No.: 29/097,270

[57] CLAIM

[22] Filed: Dec. 2, 1998

The ornamental design for a wire dish rack, as shown and described.

[51] LOC (6) Cl. 07-05

DESCRIPTION

[52] U.S. Cl. D32/55

[58] Field of Search D32/58, 55, 57;
720/571, 572, 487, 488; D6/462; 4/637,
656; 108/16, 24

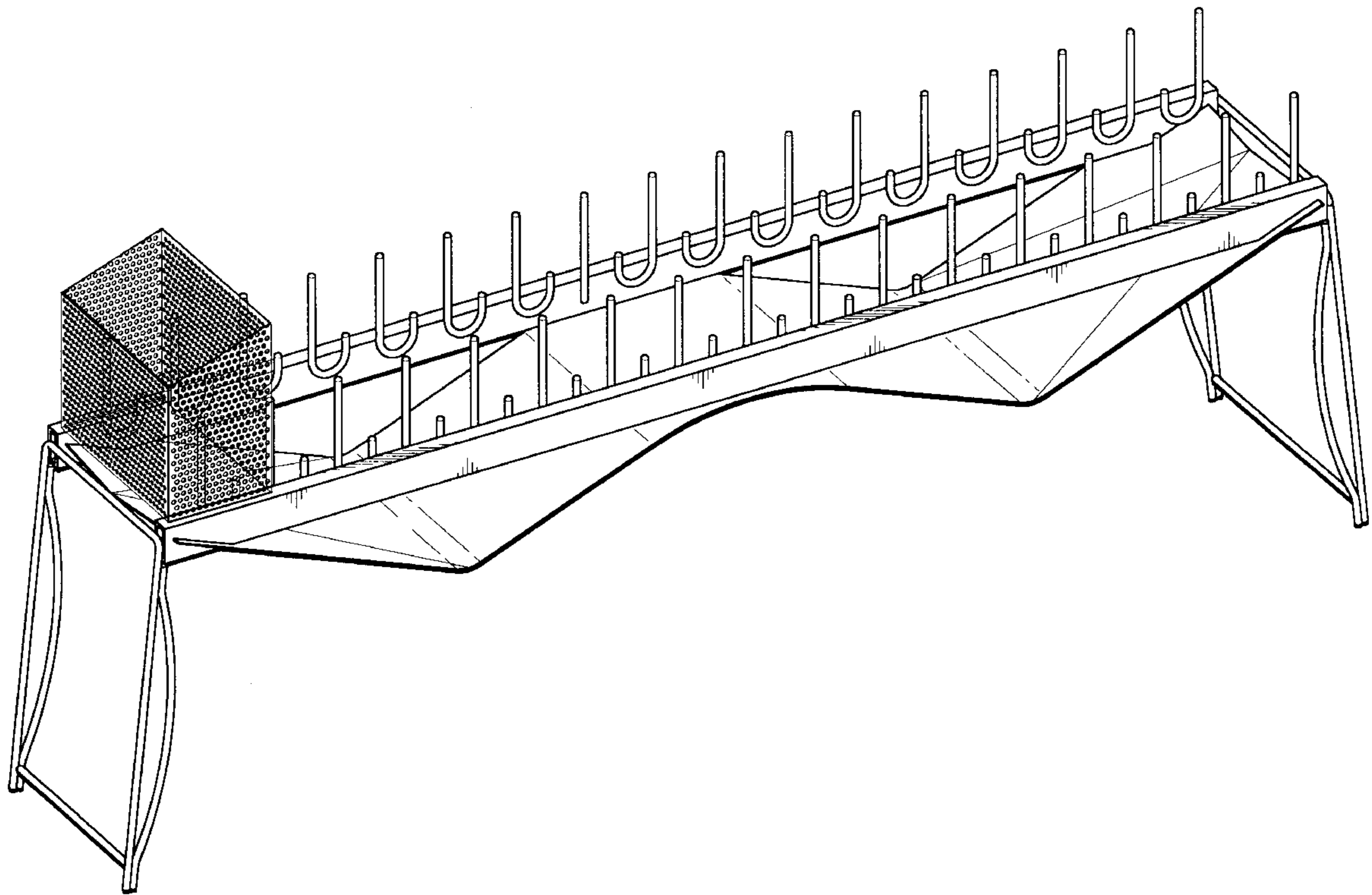
FIG. 1 is a front perspective view showing my new design;
FIG. 2 is a front elevation thereof;
FIG. 3 is a top plan view thereof;
FIG. 4 is a rear elevation view thereof;
FIG. 5 is a bottom plan view thereof;
FIG. 6 is an end elevation thereof; and,
FIG. 7 is an opposite end elevation thereof.

[56] References Cited

U.S. PATENT DOCUMENTS

D. 268,878 5/1983 Taylor D32/55
D. 363,578 10/1995 Brightbill et al. D32/55
D. 369,002 4/1996 Pratt D32/55

1 Claim, 4 Drawing Sheets



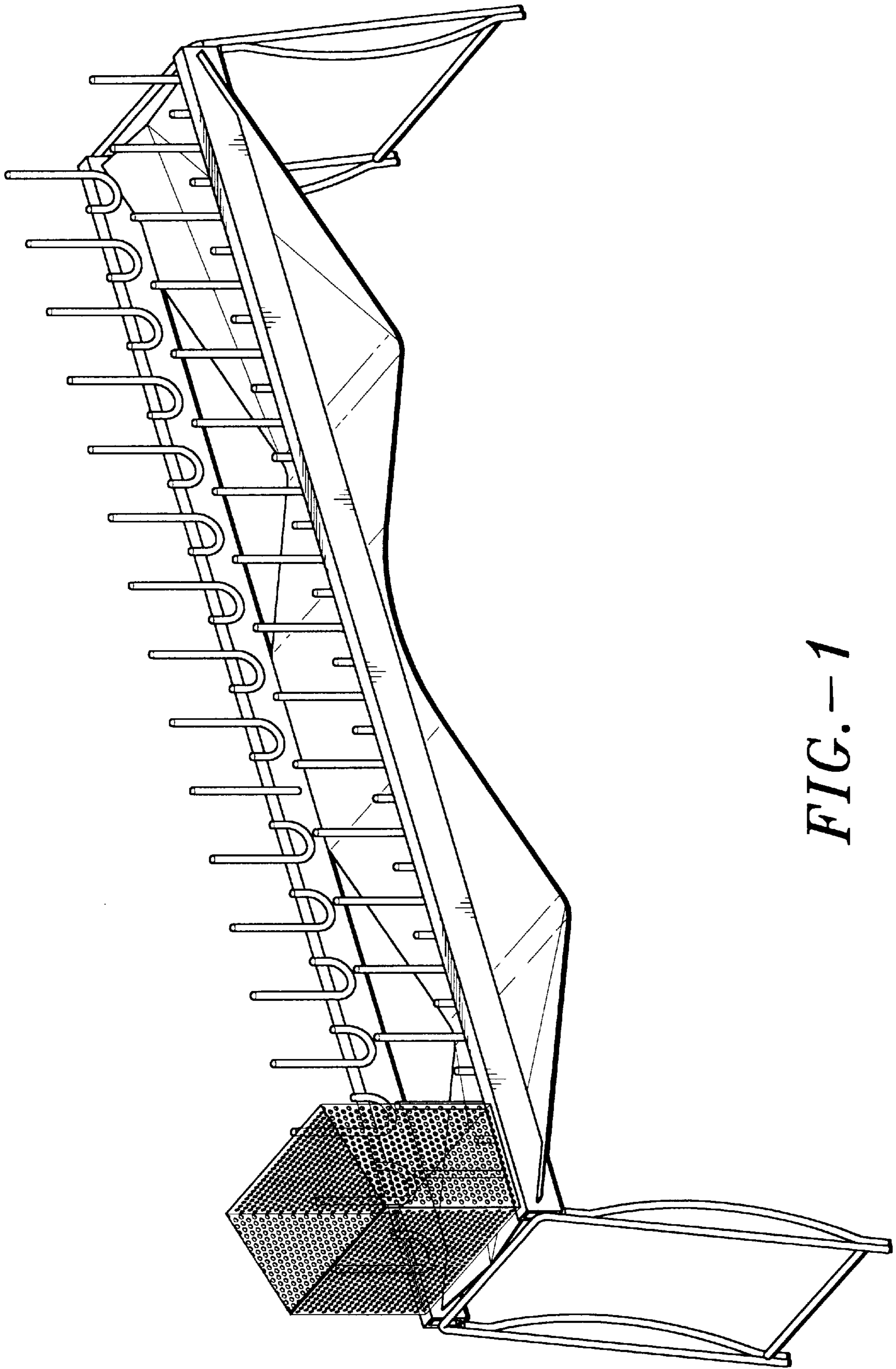


FIG. - 1

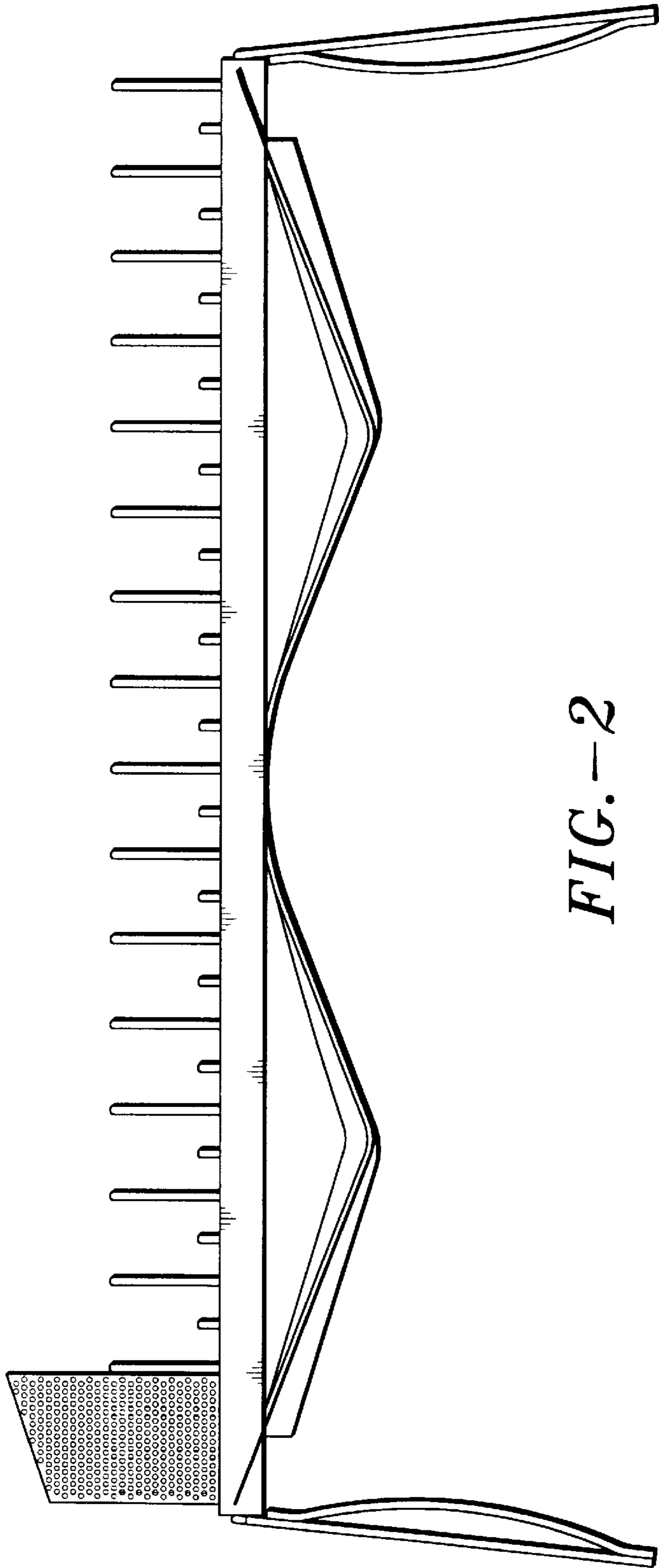


FIG. -2

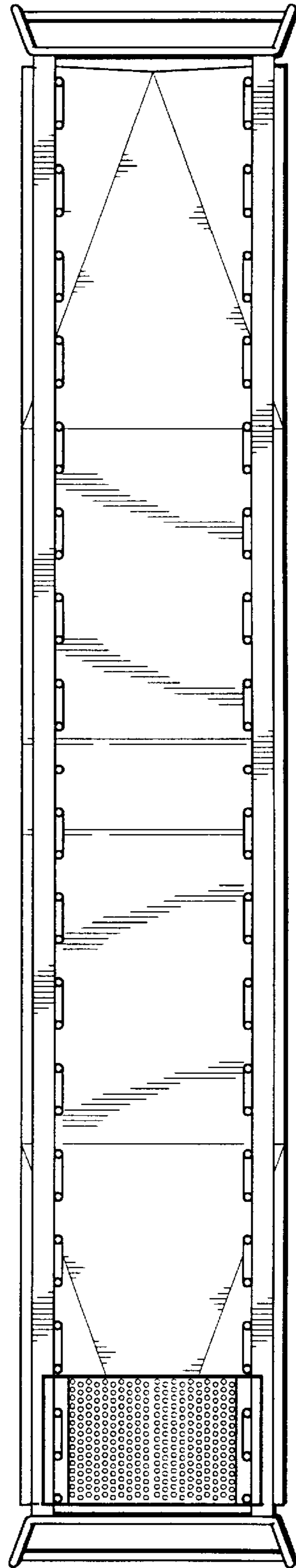


FIG. -3

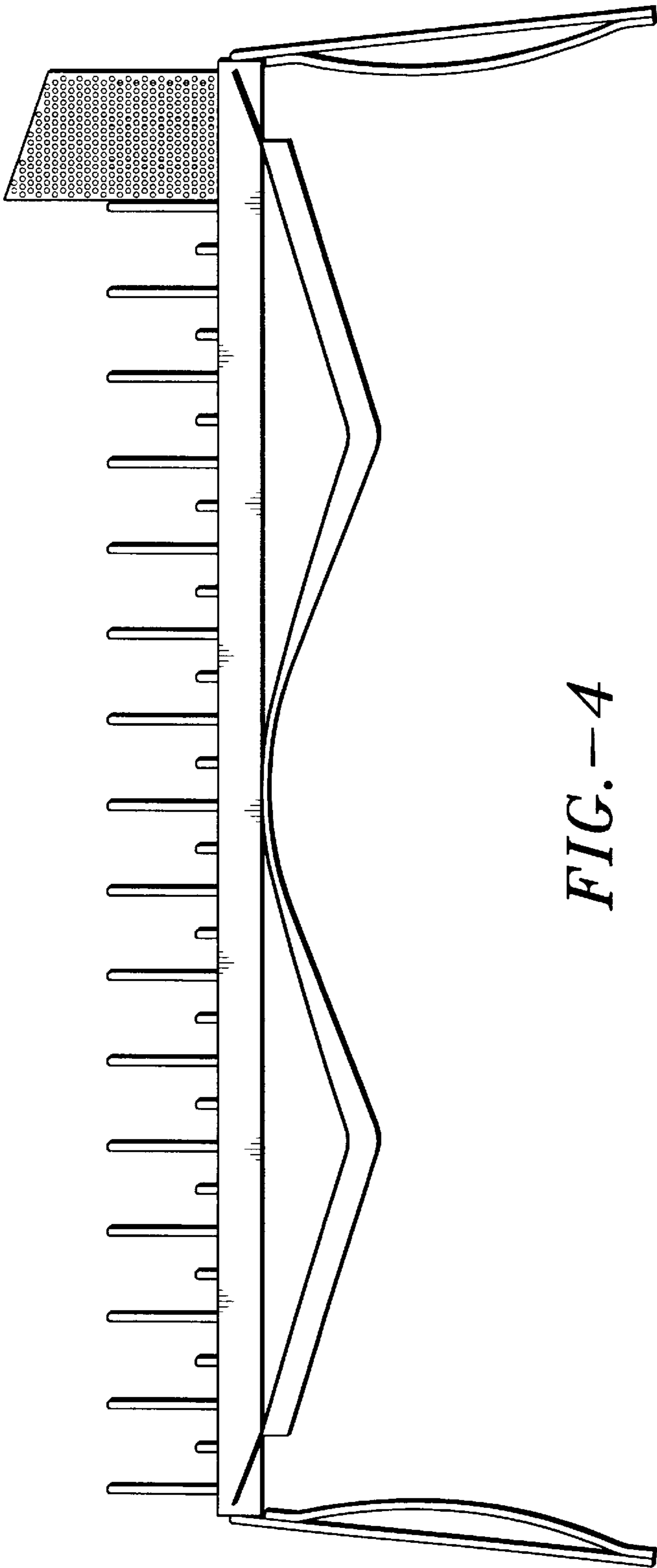


FIG. -4

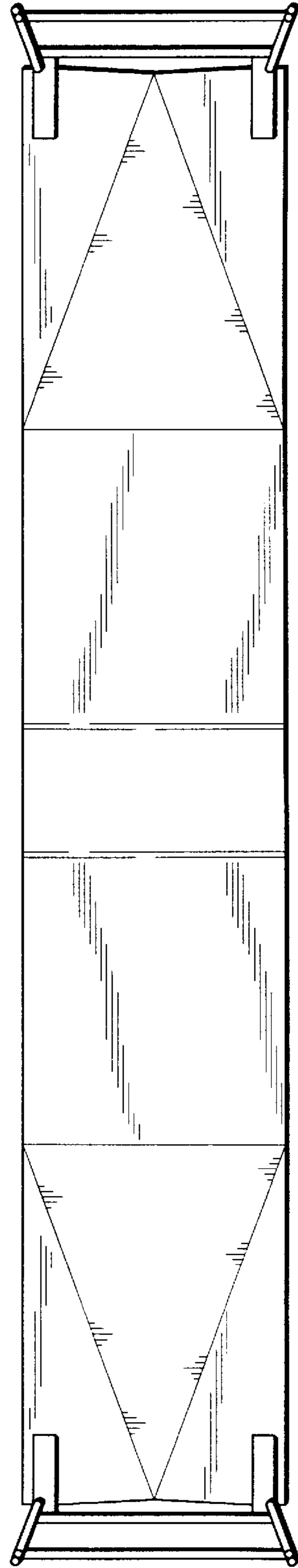


FIG. -5

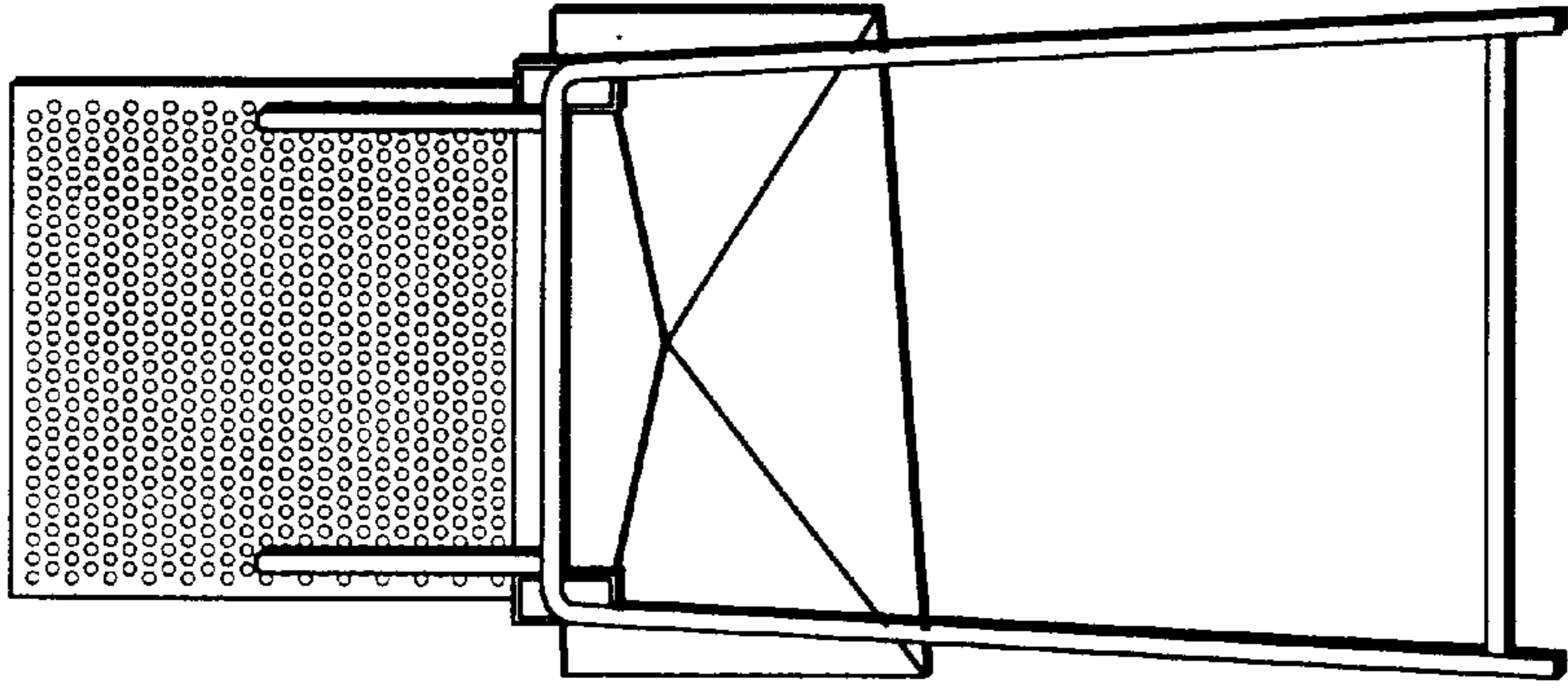


FIG. - 7

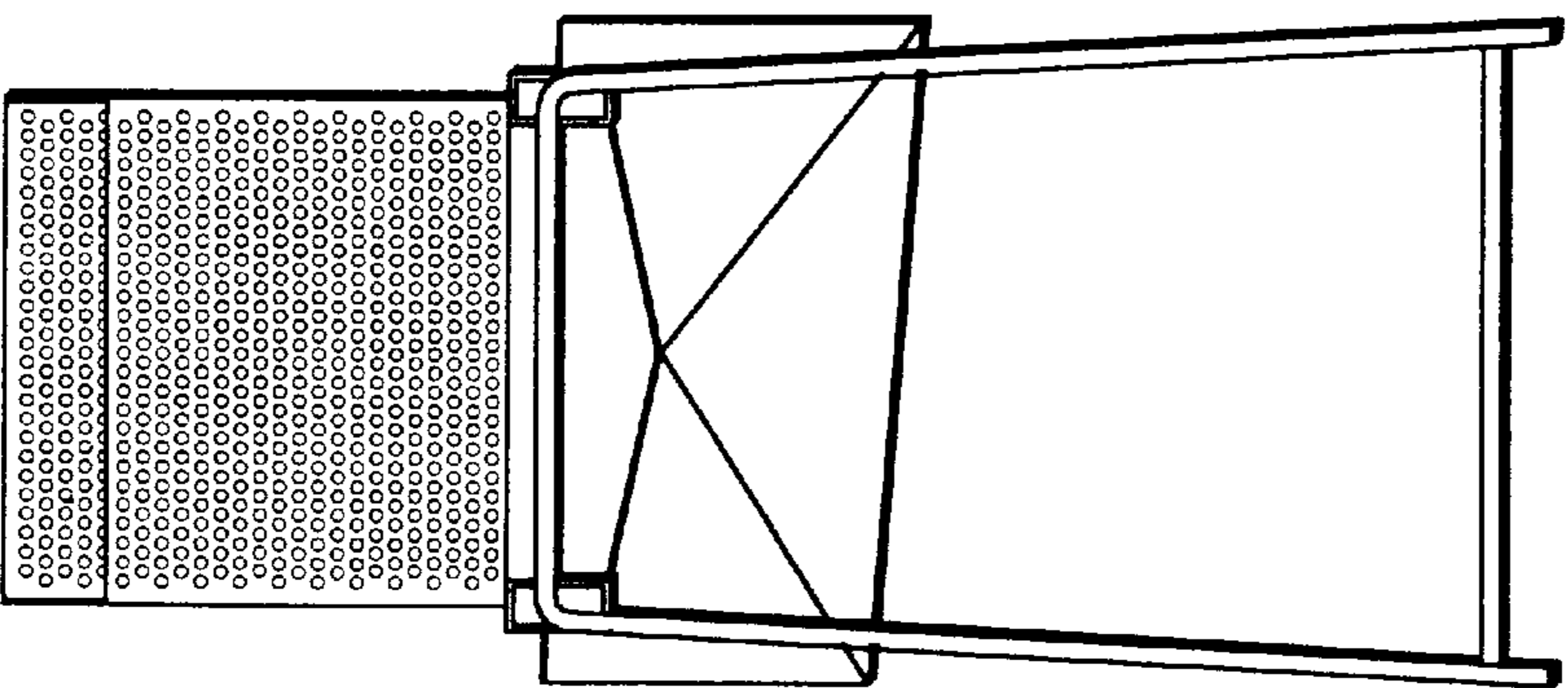


FIG. - 6