



US00D416363S

United States Patent [19] Moritani

[11] Patent Number: Des. 416,363

[45] Date of Patent: ** Nov. 9, 1999

[54] VACUUM CLEANER

[75] Inventor: Kazushi Moritani, Habikino, Japan

[73] Assignee: Amway Corporation, Ada, Mich.

[**] Term: 14 Years

[21] Appl. No.: 29/093,923

[22] Filed: Sep. 22, 1998

[51] LOC (6) Cl. 15-05

[52] U.S. Cl. D32/21

[58] Field of Search D32/21, 23, 24;
15/320-321, 327.1, 327.2, 327.6, 327.7,
347

[56] **References Cited**

U.S. PATENT DOCUMENTS

D. 289,213	4/1987	Perkins	D32/21
D. 318,153	7/1991	Asten et al.	D32/21
D. 322,340	12/1991	Stutzer et al.	D32/21
D. 344,373	2/1994	Haverkamp	D32/21
D. 376,229	12/1996	Hughes	D32/21
D. 391,700	3/1998	Hughes	D32/21

FOREIGN PATENT DOCUMENTS

786260	1/1990	Japan .
787280	1/1990	Japan .
838620	1/1992	Japan .
839356	1/1992	Japan .
884197	8/1993	Japan .

894871	1/1994	Japan .
944280	10/1995	Japan .
974217	1/1996	Japan .
974218	1/1996	Japan .

OTHER PUBLICATIONS

Williams Sonoma—Holiday 1998 Catalog (1 pg).
Foreign Catalog “Neuheiten Domotechnica 95” sent by Miele & Cie. GmbH Co. to the JPO Industrial Property Library Page and article number of design No. 58, Electric Vacuum Cleaner (JPO Design Division Document Card No. HD 07004896) (1995 For. Cat 7) (2 pgs).

Primary Examiner—Ruth McInroy
Attorney, Agent, or Firm—Amway Corporation

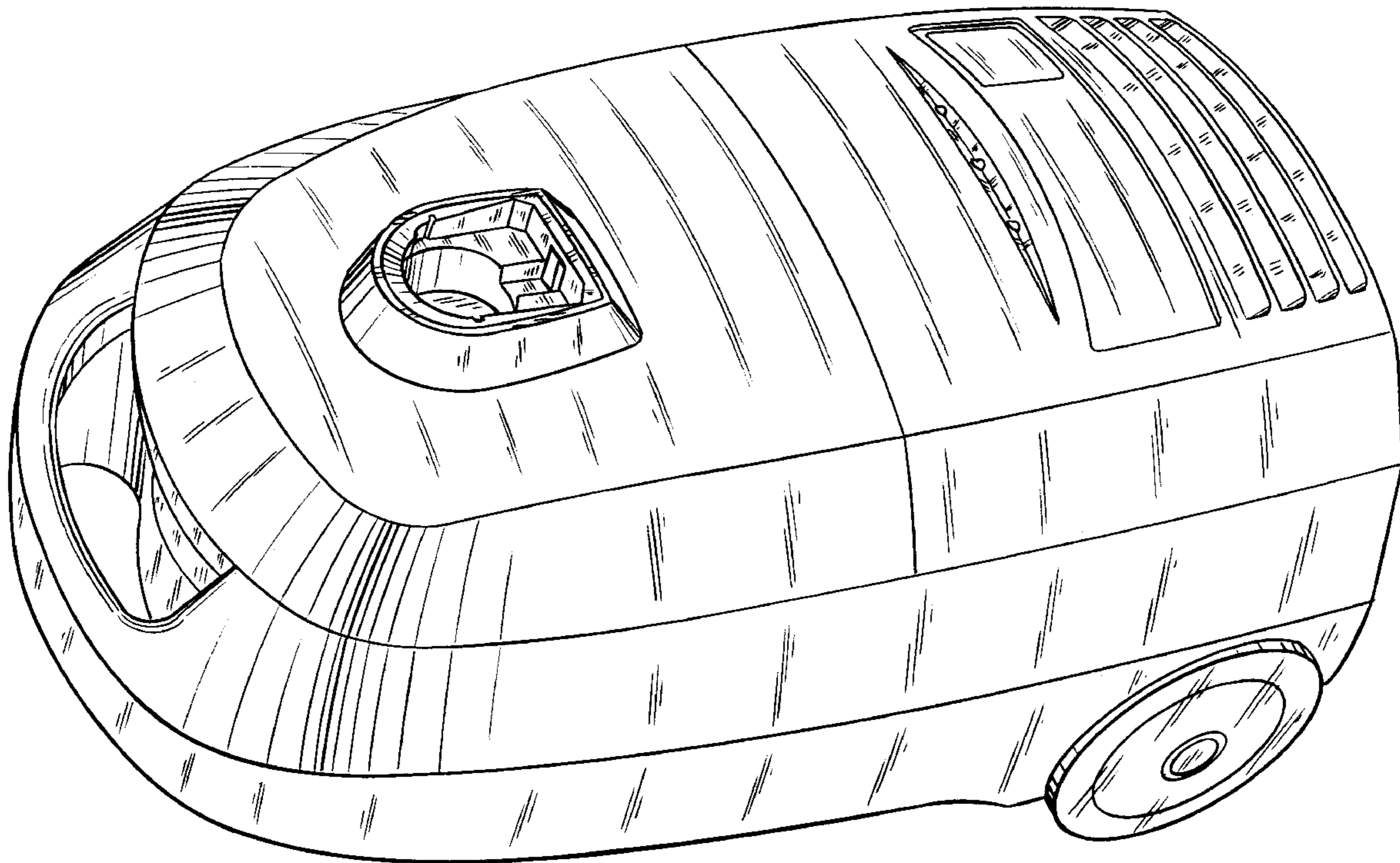
[57] **CLAIM**

The ornamental design for a vacuum cleaner, as shown and described.

DESCRIPTION

FIG. 1 is front left perspective view of a vacuum cleaner showing my new design;
FIG. 2 is front elevational view thereof;
FIG. 3 is a front right side perspective view thereof;
FIG. 4 is a rear right side bottom perspective view thereof; and,
FIG. 5 is a rear left side perspective view thereof.
The surfaces or portions of the article not shown in the drawings or described in the specification form no part of the claimed design.

1 Claim, 5 Drawing Sheets



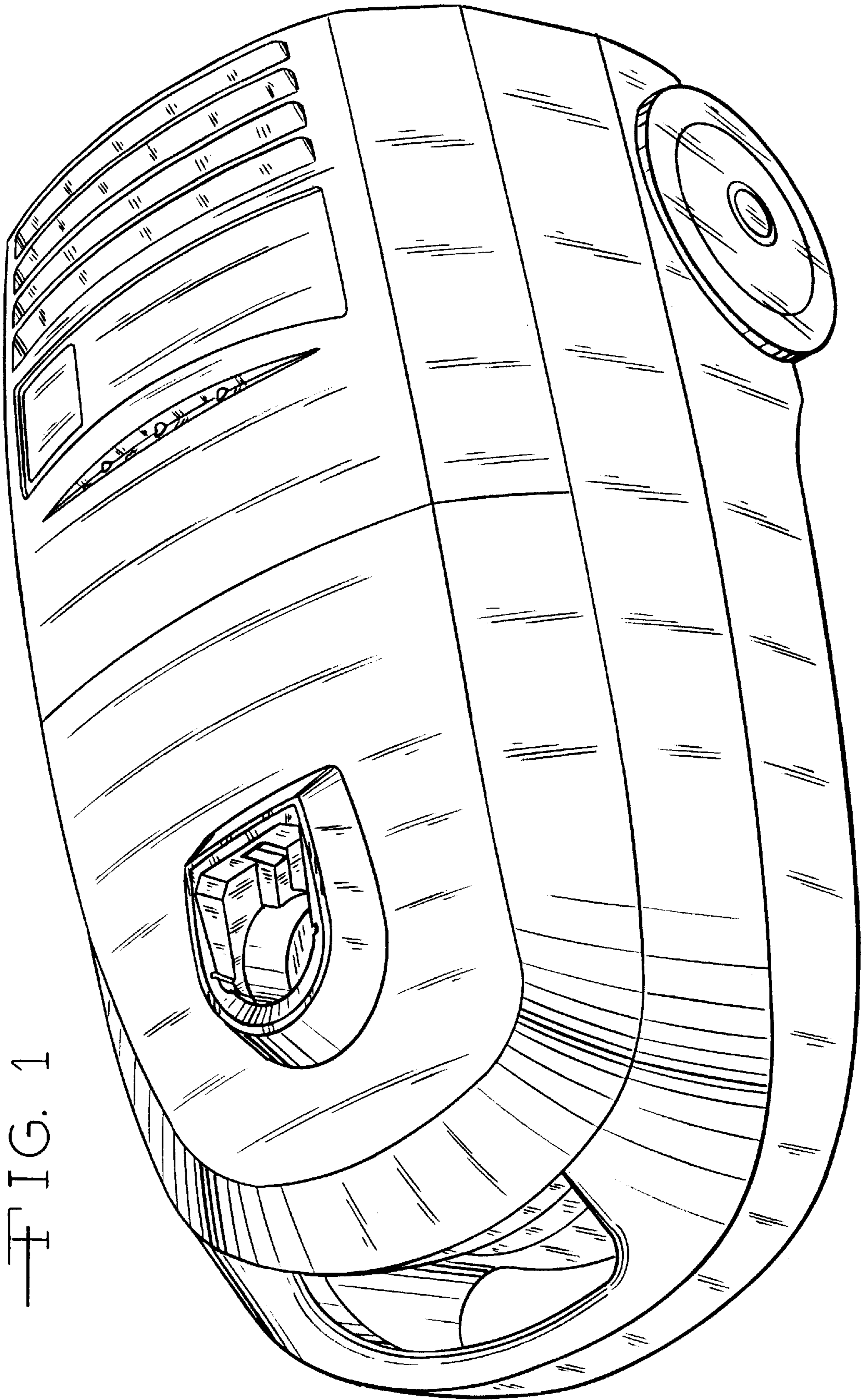
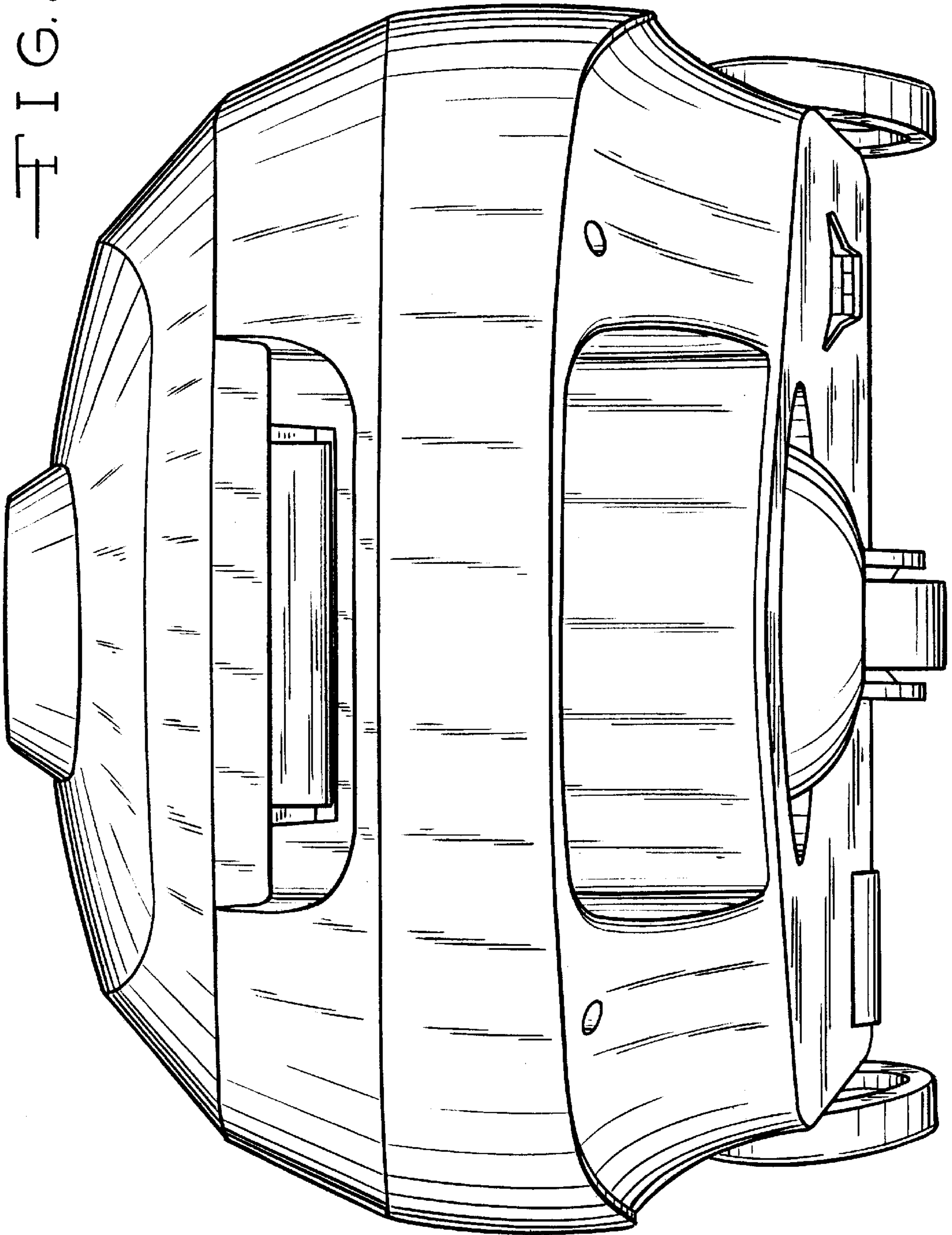


FIG. 1

FIG. 2



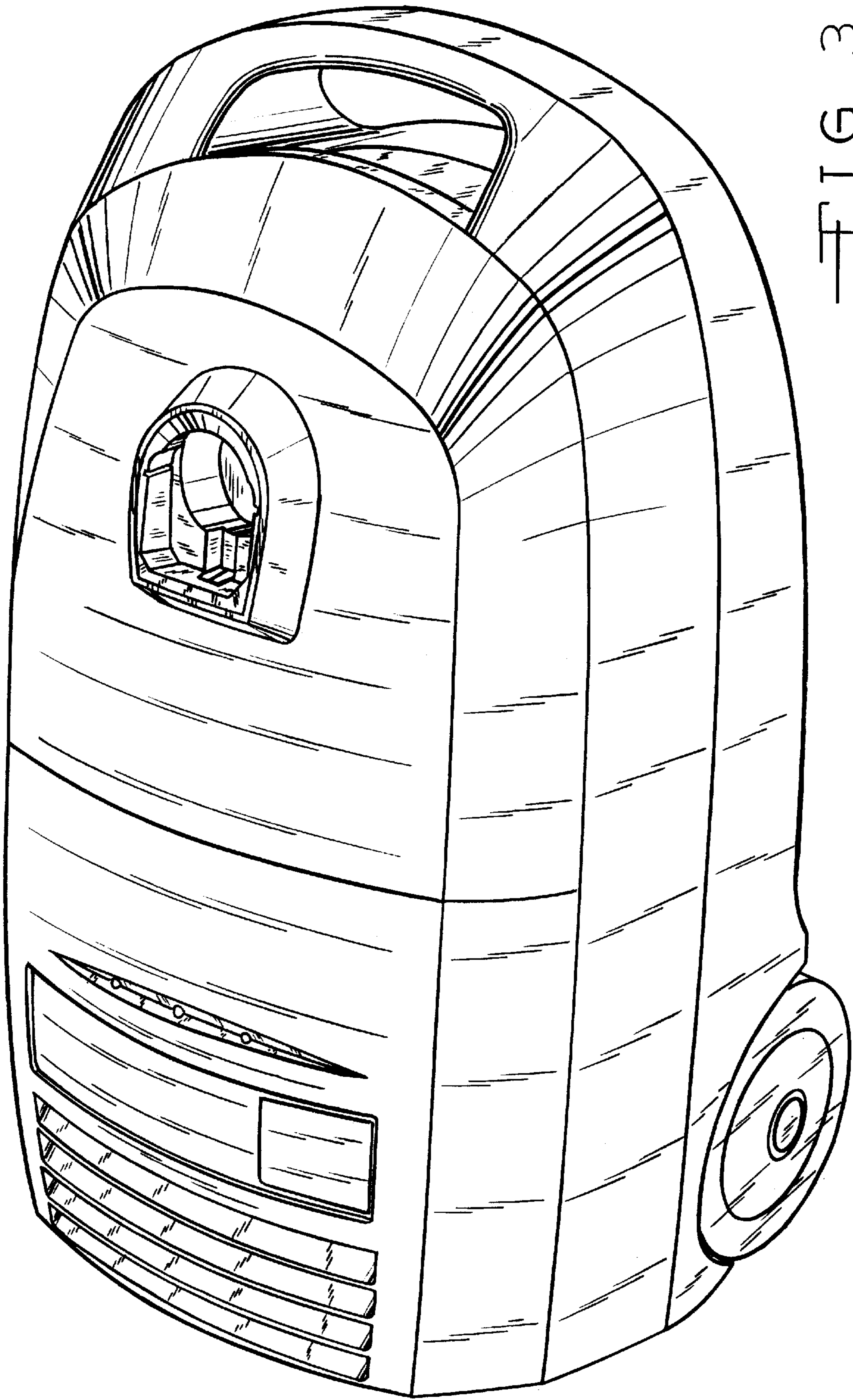


FIG. 3

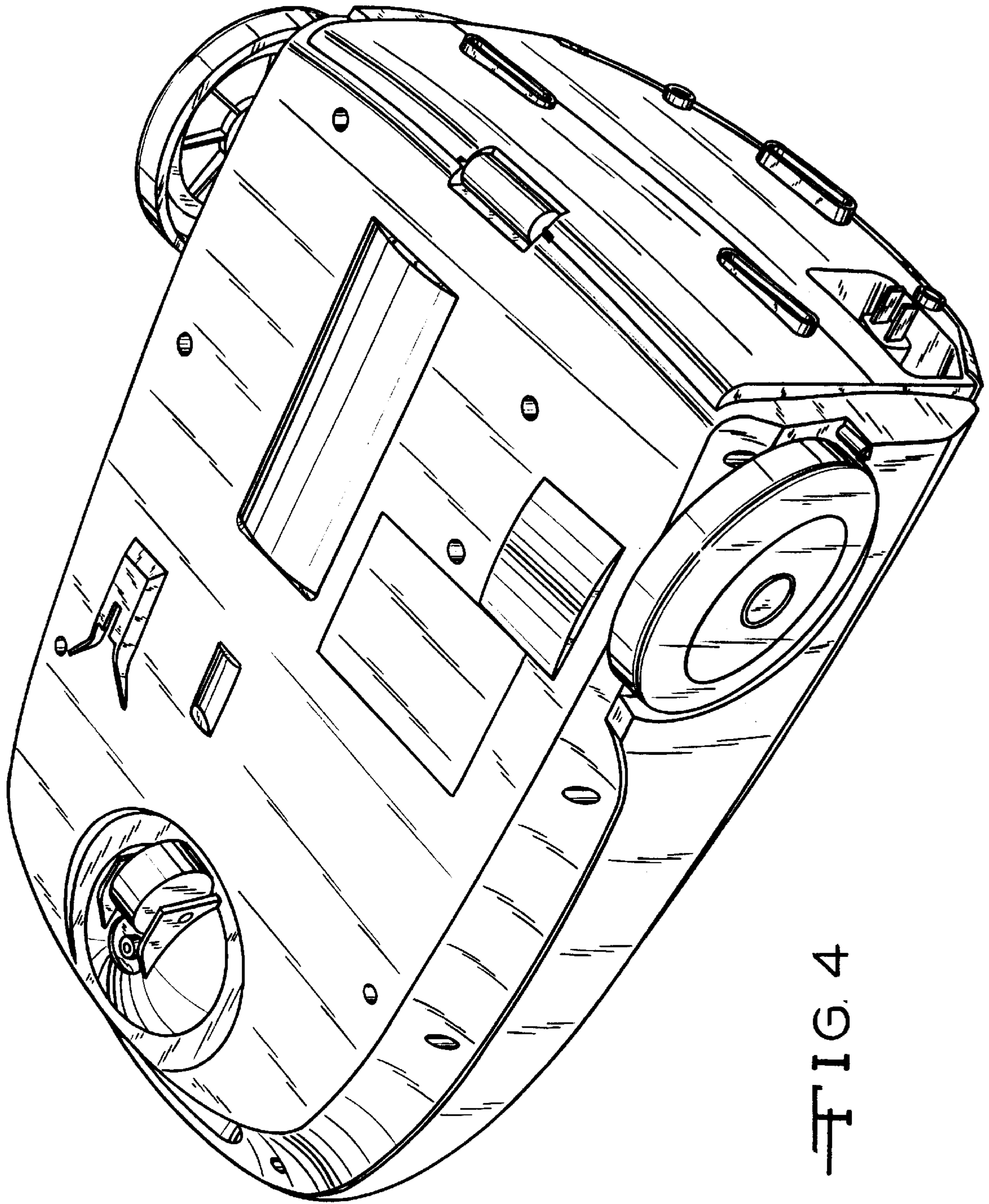


FIG. 4

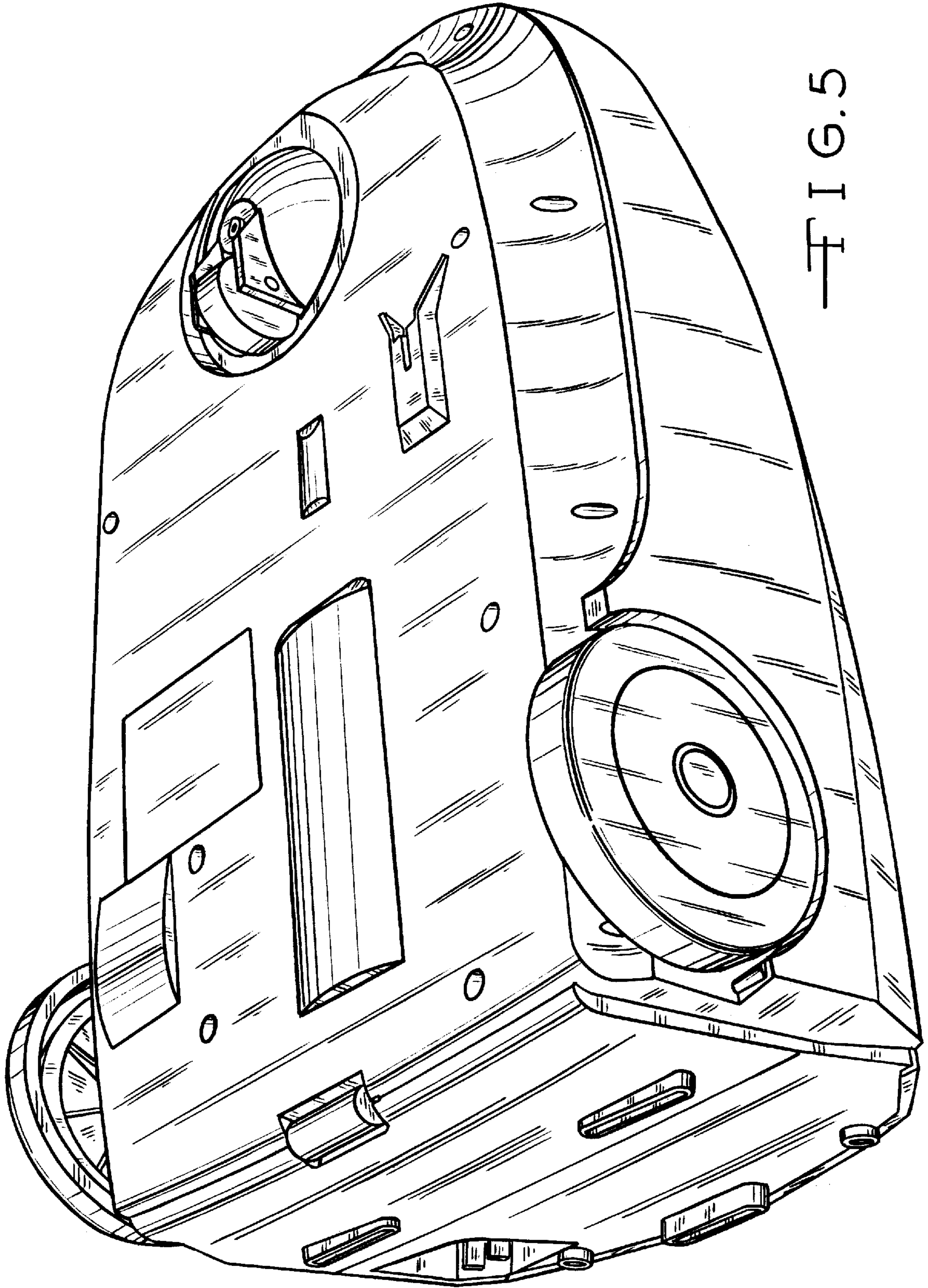


FIG. 5