



US00D416360S

United States Patent [19]

Enkyo et al.

[11] **Patent Number: Des. 416,360**

[45] **Date of Patent: ** Nov. 9, 1999**

[54] **PORTABLE ELECTRIC BLOWER WITH A DUST COLLECTOR**

[75] Inventors: **Hirofumi Enkyo**, Tokyo, Japan; **Taku Ohi**, Chandler, Ariz.

[73] Assignee: **Ryobi Ltd.**, Hiroshima-ken, Japan

[**] Term: **14 Years**

[21] Appl. No.: **29/064,322**

[22] Filed: **Dec. 27, 1996**

[30] **Foreign Application Priority Data**

Jul. 26, 1996 [JP] Japan 8-22540

[51] **LOC (6) Cl.** **15-05**

[52] **U.S. Cl.** **D32/15**

[58] **Field of Search** D32/15; 15/344, 15/345, 405, 406

[56] **References Cited**

U.S. PATENT DOCUMENTS

- D. 263,547 3/1982 Carsello D32/15
- D. 279,319 6/1985 McCloskey et al. D32/15
- D. 286,927 11/1986 Aiyama D32/15
- D. 297,274 8/1988 Komiya et al. D32/15

- D. 304,510 11/1989 Baker et al. D32/15
- D. 349,983 8/1994 Tuggle et al. D32/15
- D. 359,603 6/1995 Rakocy et al. D32/15

Primary Examiner—Ruth McInroy
Attorney, Agent, or Firm—Nikaido, Marmelstein, Murray & Oram LLP

[57] **CLAIM**

The ornamental design for a portable electric blower with a dust collector, as shown and described.

DESCRIPTION

FIG. 1 is a perspective view of an embodiment of a portable electric blower with a dust collector showing our new design;

FIG. 2 is another perspective view thereof;

FIG. 3 is a front elevational view thereof;

FIG. 4 is a rear elevational view thereof;

FIG. 5 is a top plan view thereof;

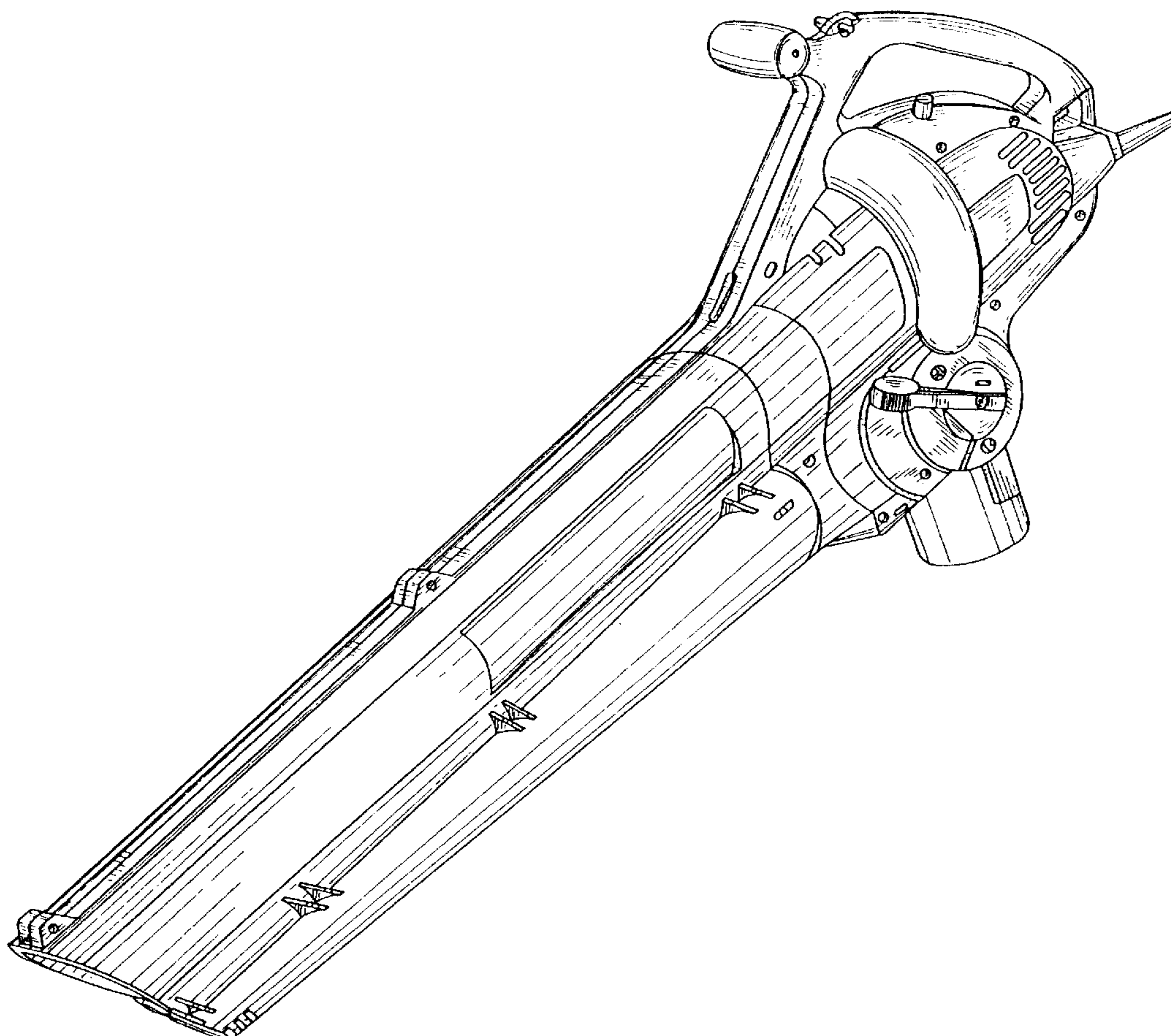
FIG. 6 is a bottom plan view thereof;

FIG. 7 is a left side elevational view thereof; and,

FIG. 8 is a right side elevational view thereof.

The broken lines showing of a cord, dust bag and fan in FIGS. 2 and 7 are for illustrative purposes only and forms no part of the claimed design.

1 Claim, 6 Drawing Sheets



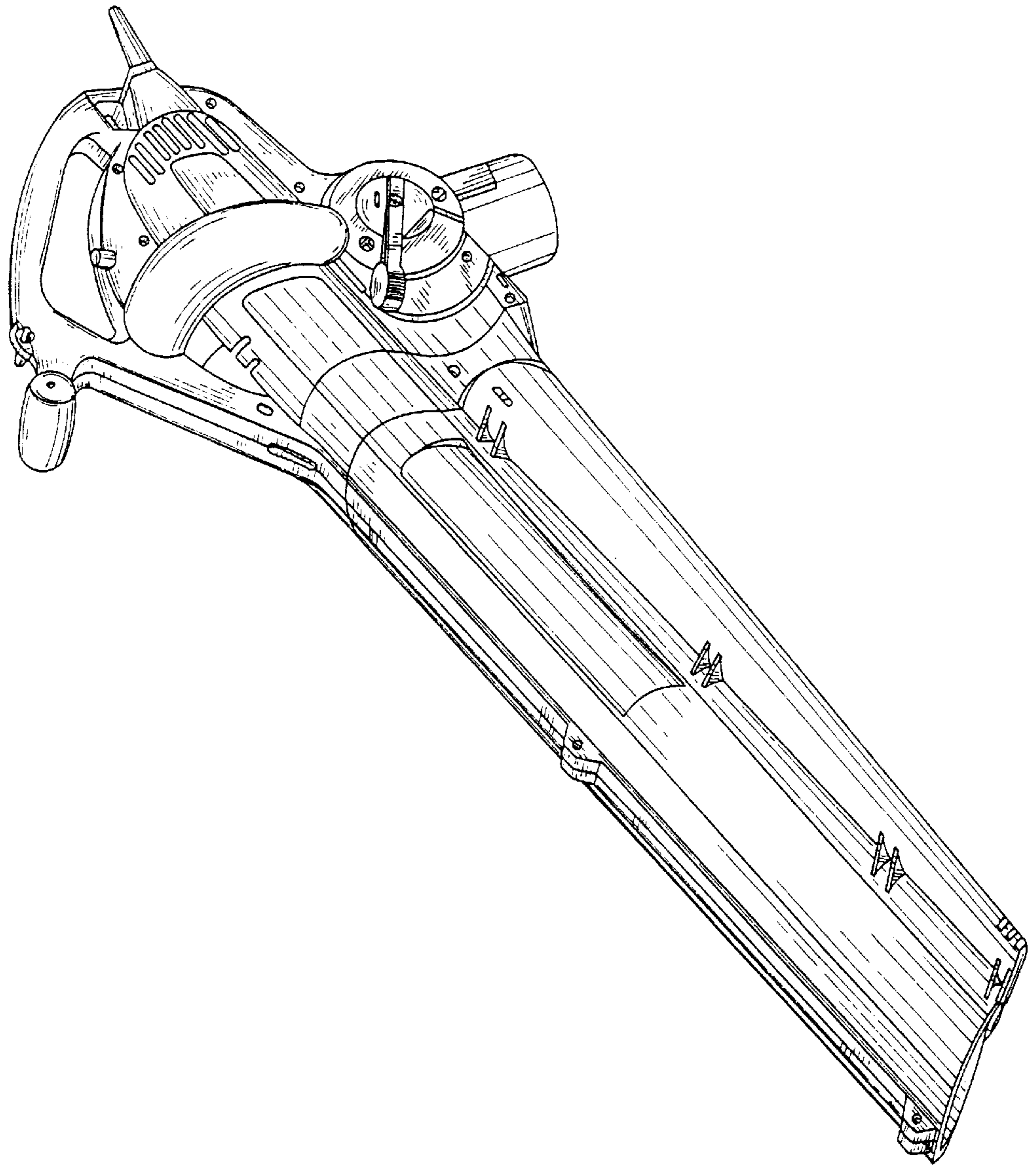


FIG. 1

FIG. 2

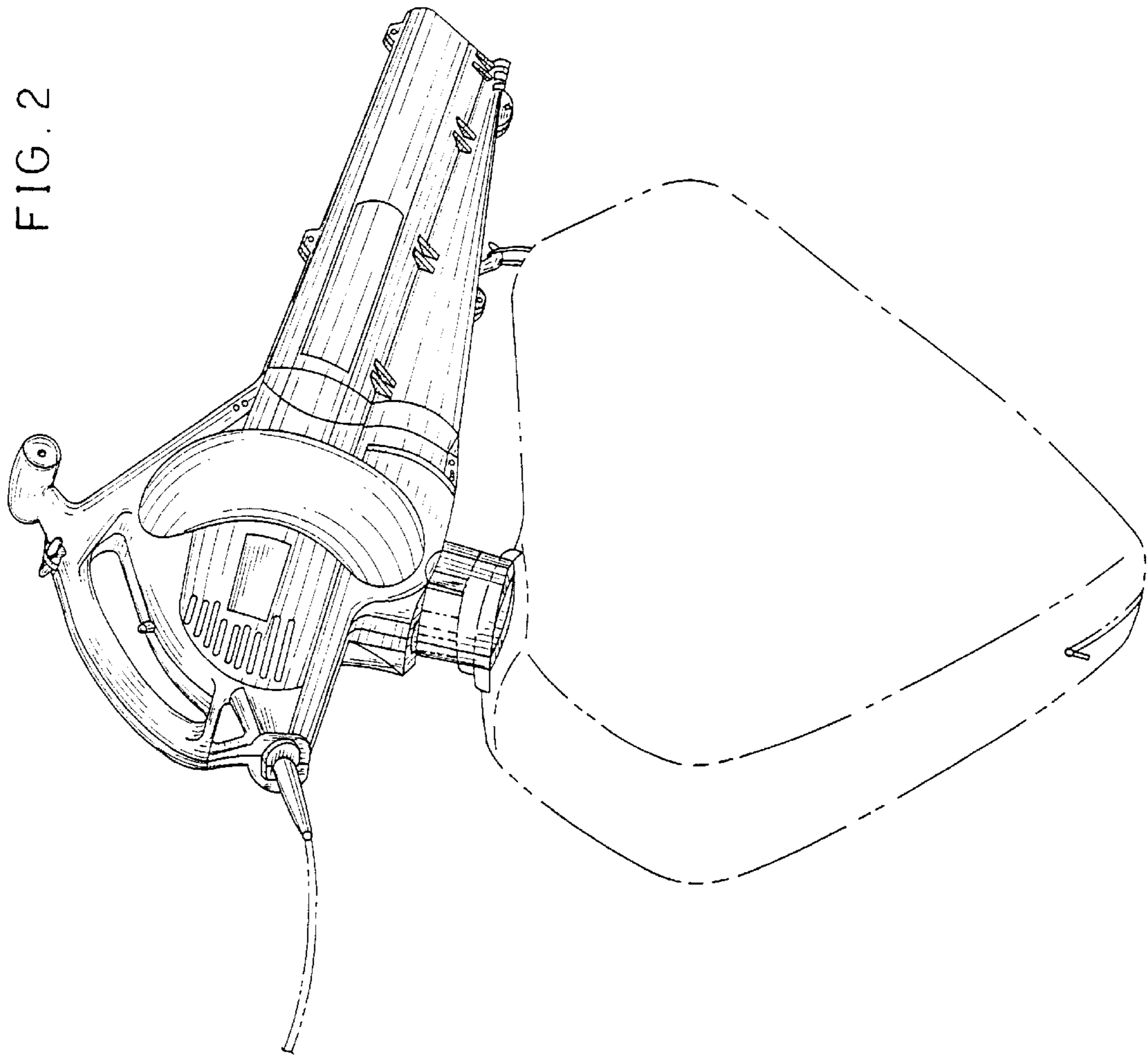


FIG. 3

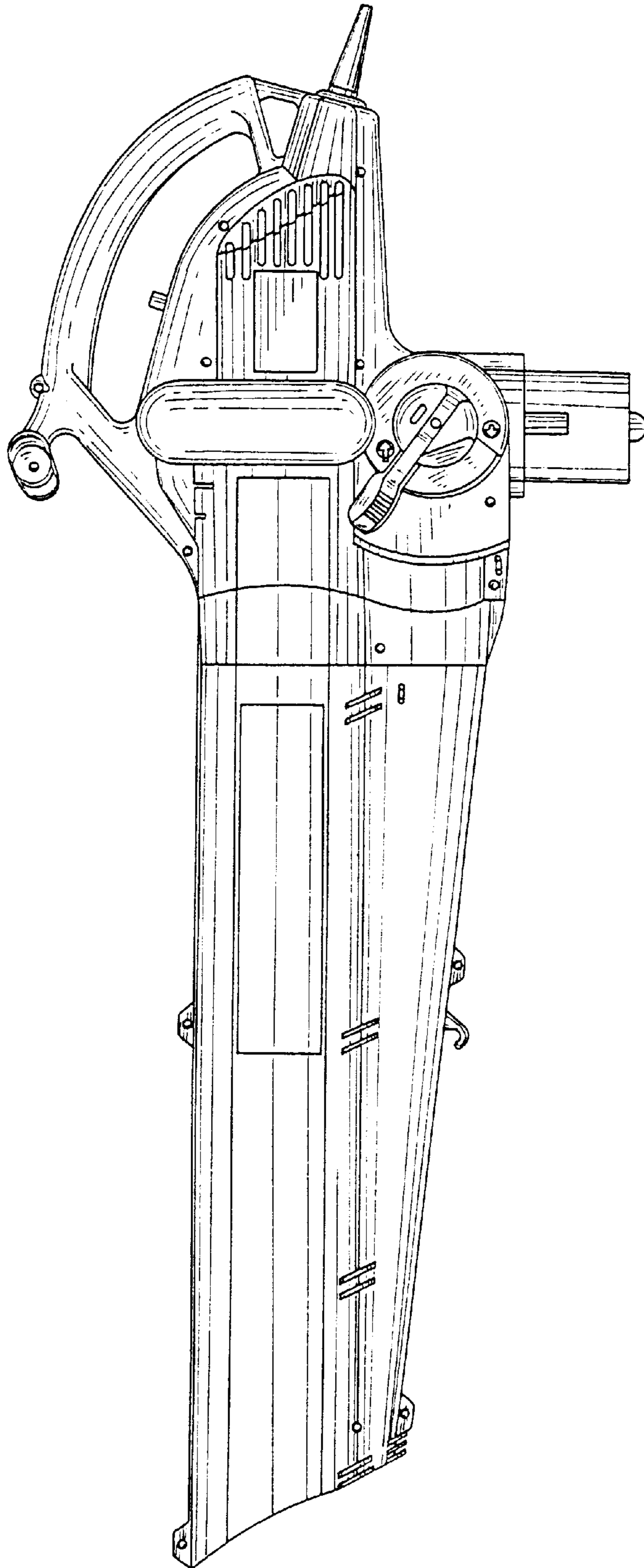


FIG. 4

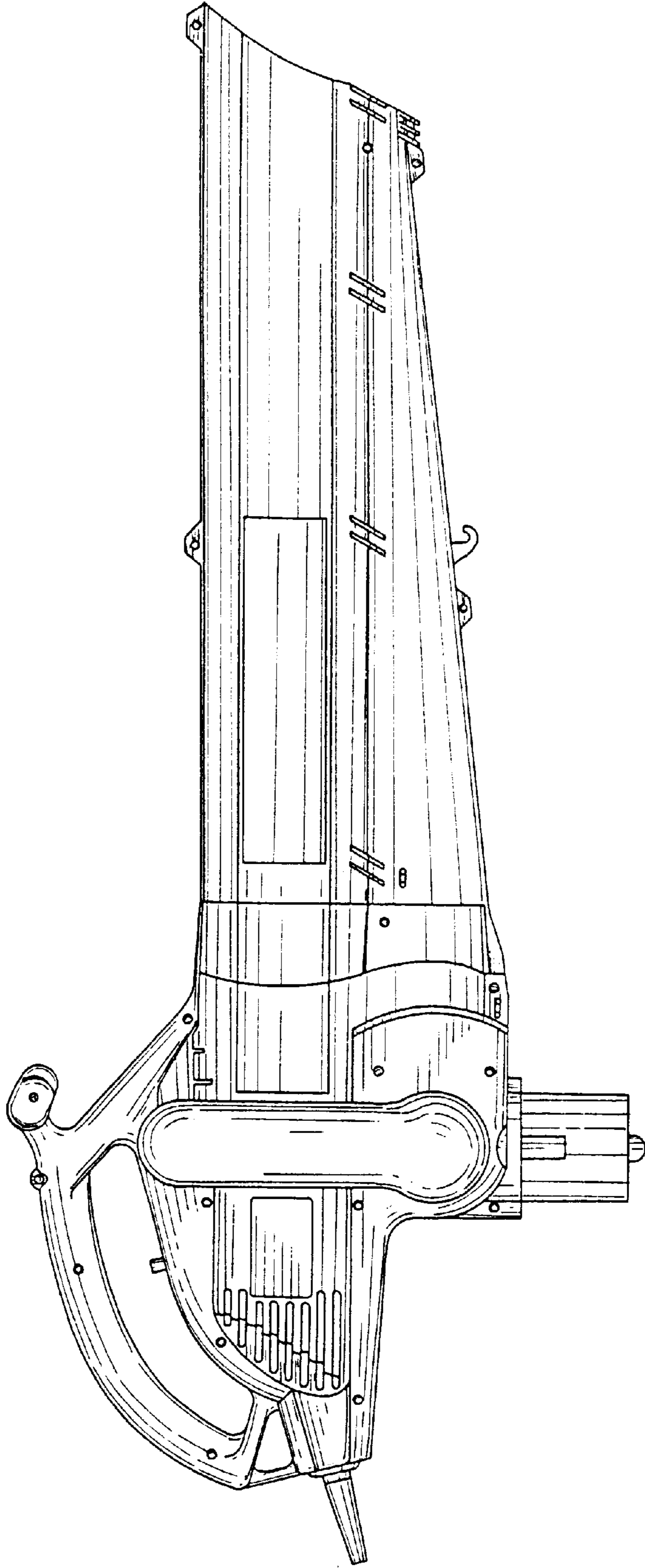


FIG. 5

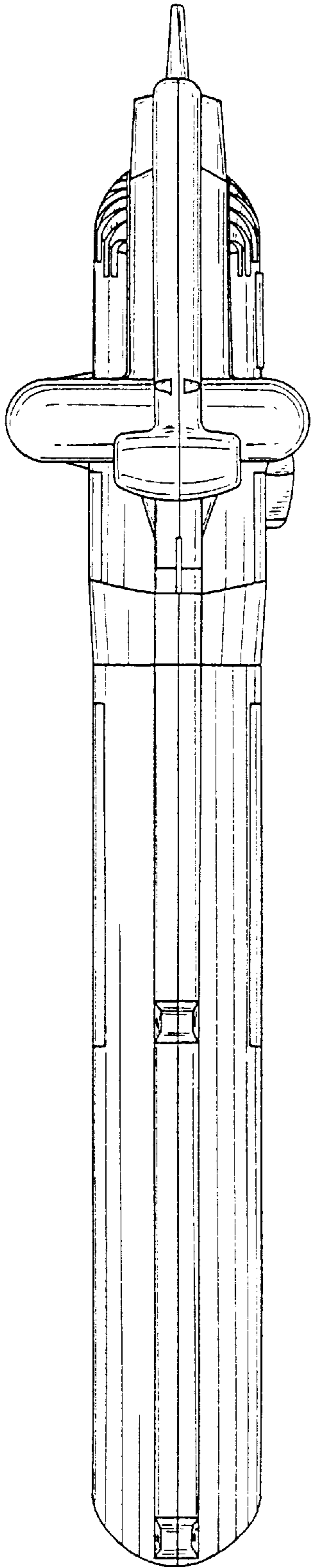


FIG. 6

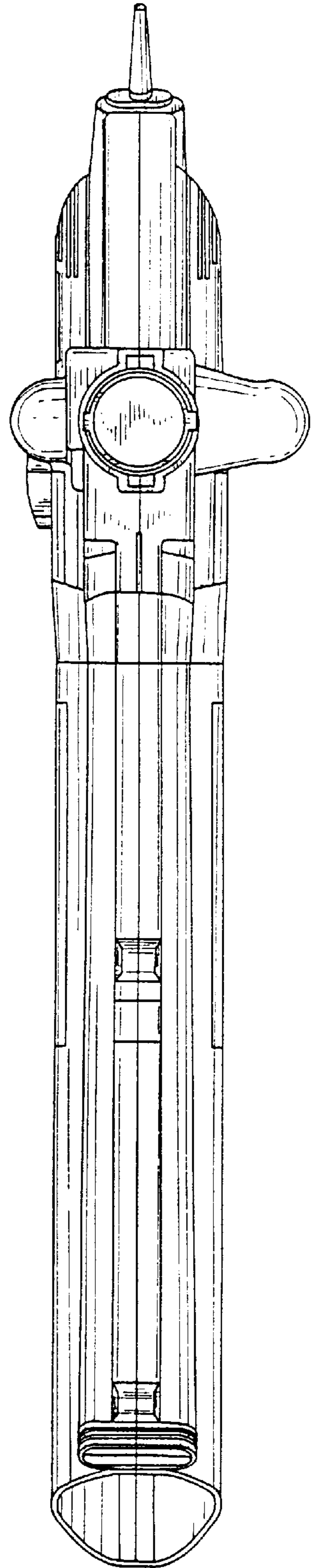


FIG. 8

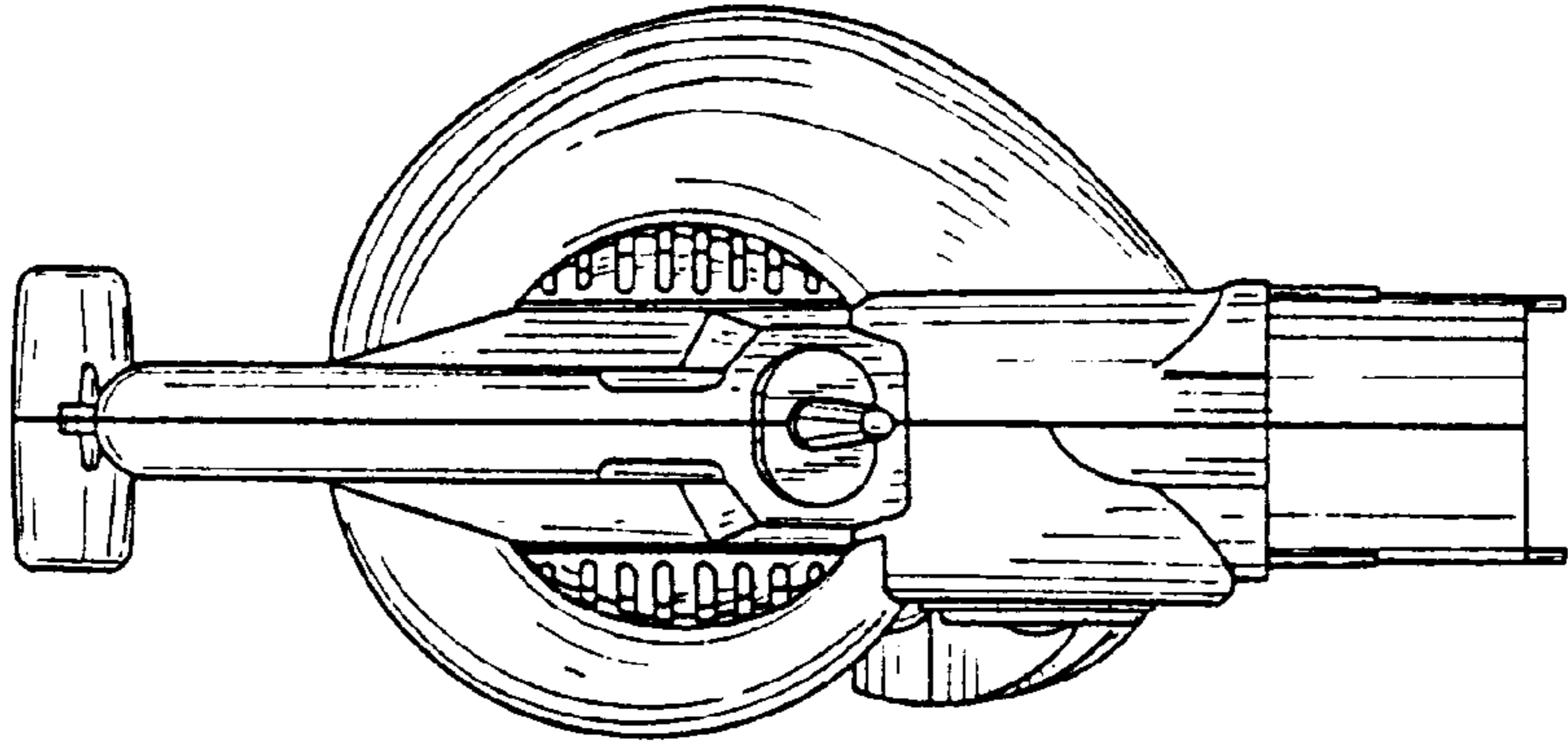


FIG. 7

