



US00D416349S

United States Patent [19]
Pahl

[11] **Patent Number: Des. 416,349**

[45] **Date of Patent: ** Nov. 9, 1999**

[54] **RECESSED LIGHTING FIXTURE TRIM**

[75] Inventor: **Scott Pahl**, San Leandro, Calif.

[73] Assignee: **Prescolite-Moldcast Lighting Company**, San Leandro, Calif.

[**] Term: **14 Years**

[21] Appl. No.: **29/094,978**

[22] Filed: **Oct. 14, 1998**

[51] **LOC (6) Cl.** **26-99**

[52] **U.S. Cl.** **D26/118**

[58] **Field of Search** D26/74, 86, 118,
D26/119, 88, 89, 90; 362/345, 354, 364,
365, 366, 404, 147, 240

[56] **References Cited**

U.S. PATENT DOCUMENTS

- D. 132,865 6/1942 Drollinger D26/88
- D. 341,443 11/1993 Shapiro D26/118
- D. 347,293 5/1994 Roos et al. D26/118

Primary Examiner—Susan J. Lucas
Attorney, Agent, or Firm—Theodore J. Bielen, Jr.

[57] **CLAIM**

The ornamental design for an recessed lighting fixture trim as shown and described.

DESCRIPTION

FIG. 1 is a bottom side, perspective view showing my new design.

FIG. 2 is a front elevational view, the left side, right side, and rear views being identical thereto.

FIG. 3 is a bottom plan view.

FIG. 4 is a top plan view.

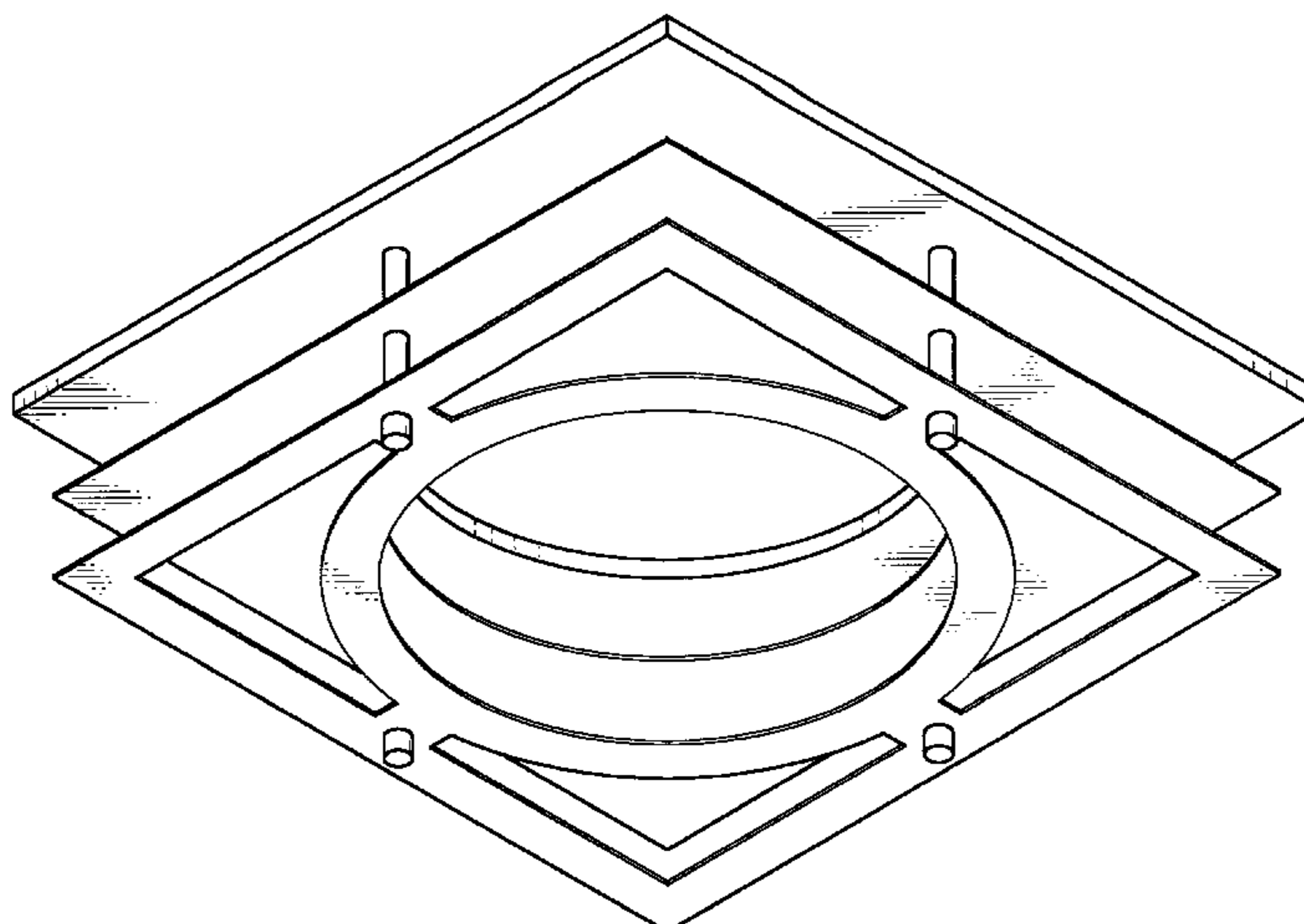
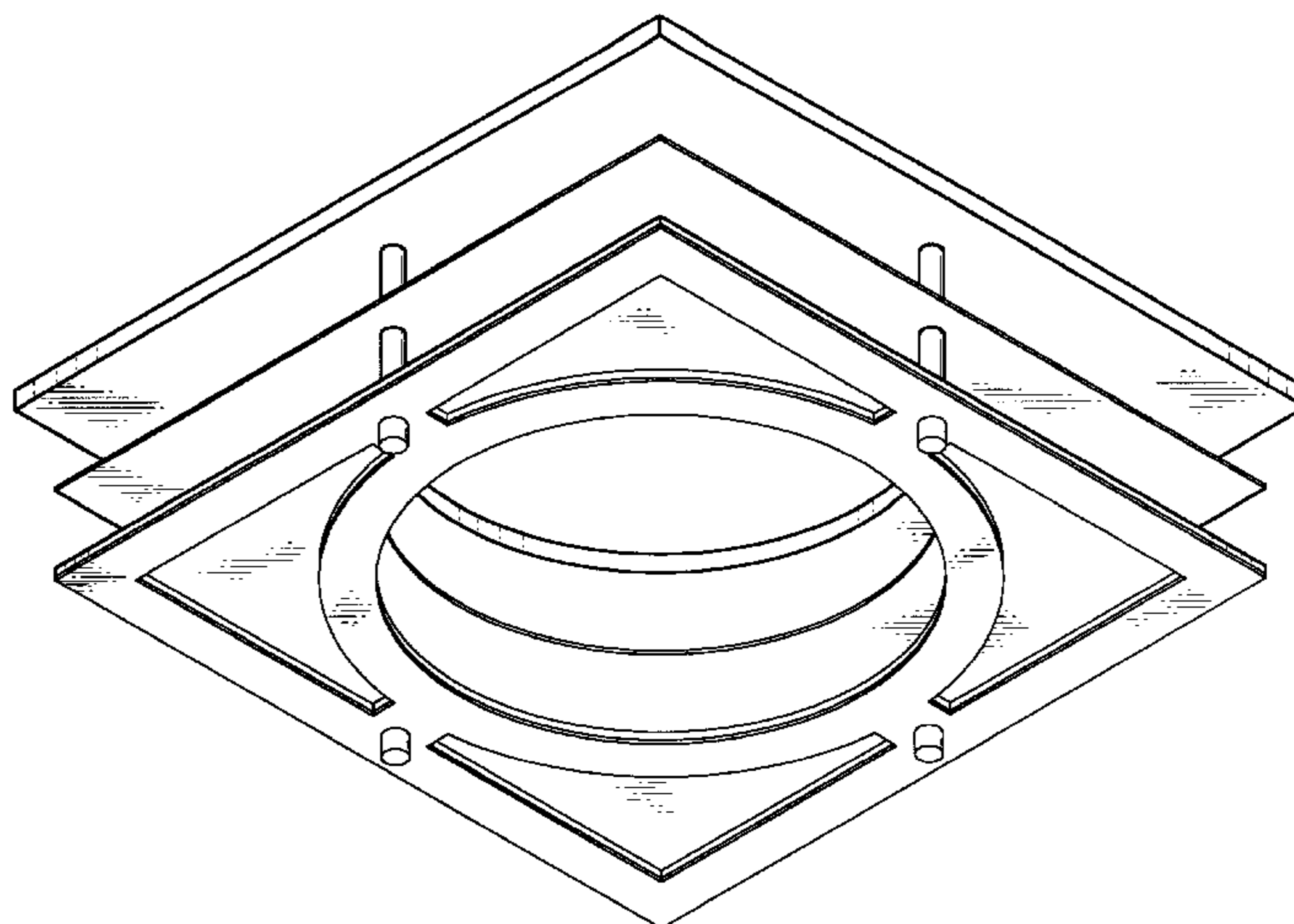
FIG. 5 is a bottom side perspective view of a second embodiment of my design.

FIG. 6 is a front elevational view of the second embodiment, the left side, right side, and rear views being identical thereto.

FIG. 7 is a bottom plan view of the second embodiment.

FIG. 8 is a top plan view of the second embodiment.

1 Claim, 4 Drawing Sheets



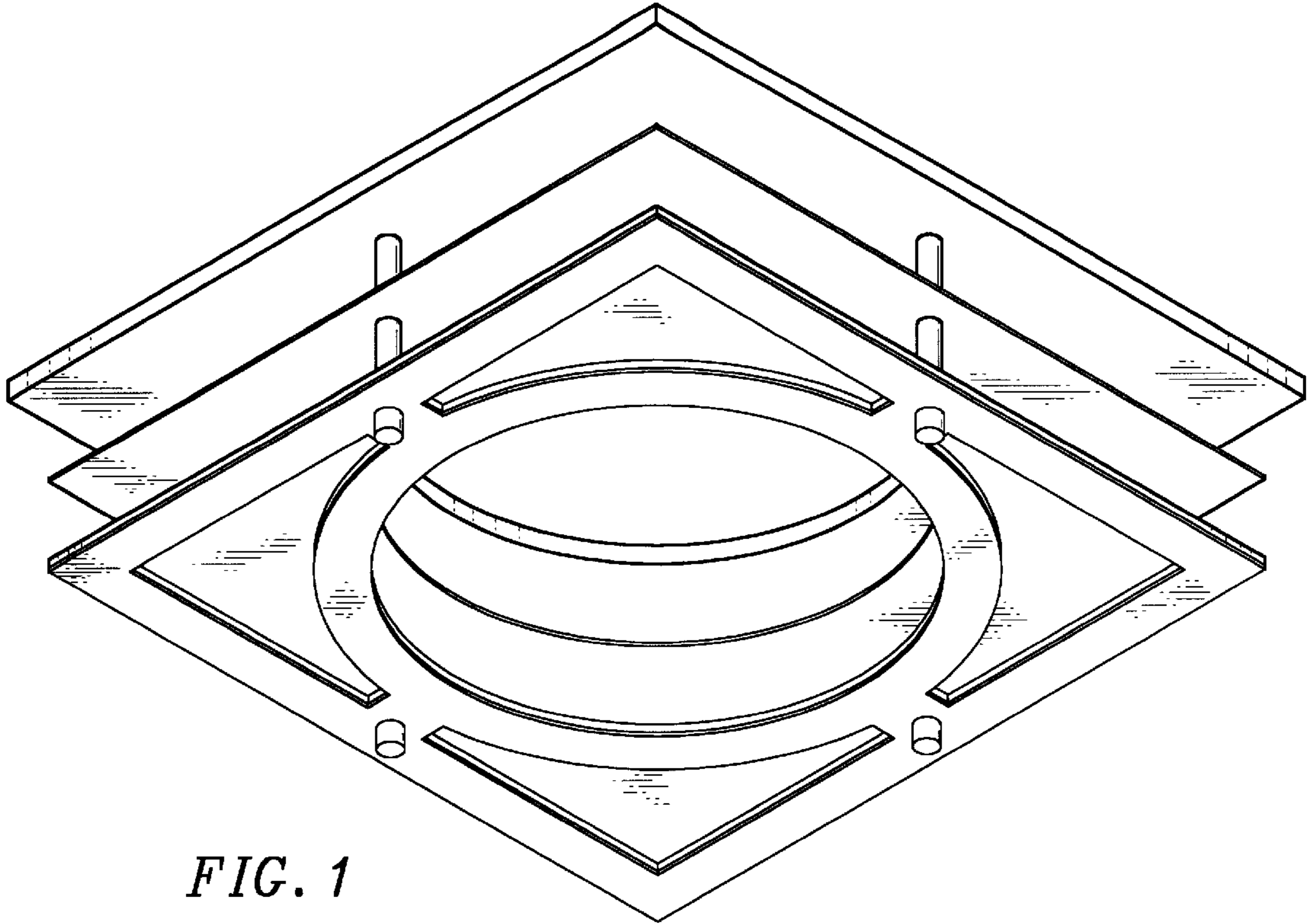


FIG. 1

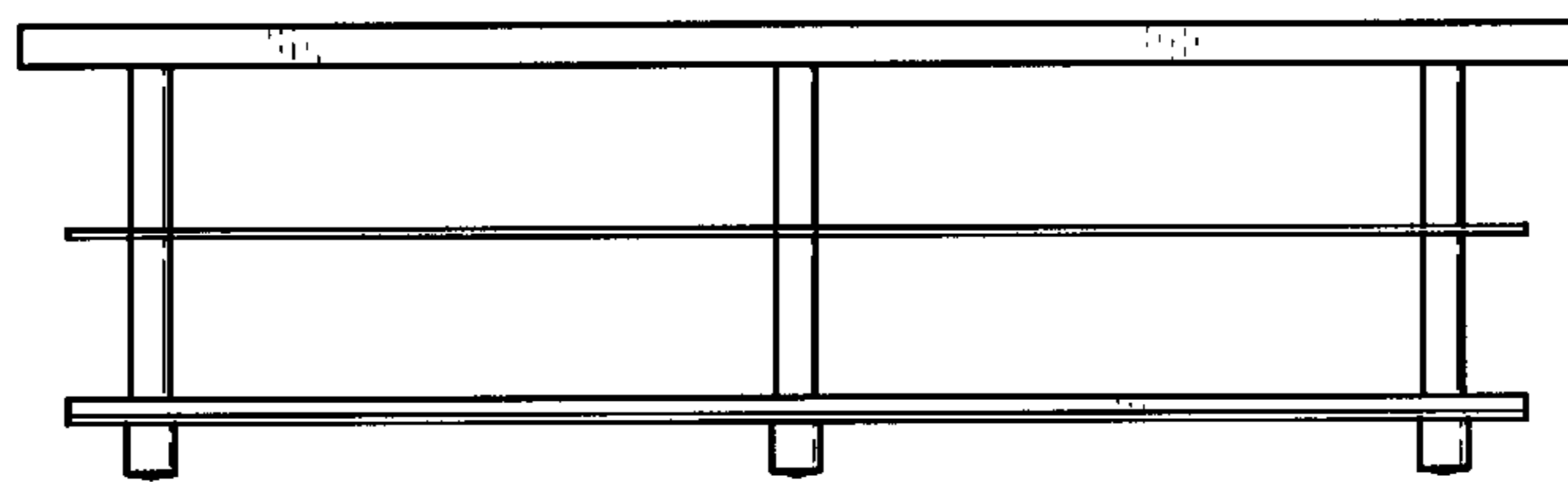


FIG. 2

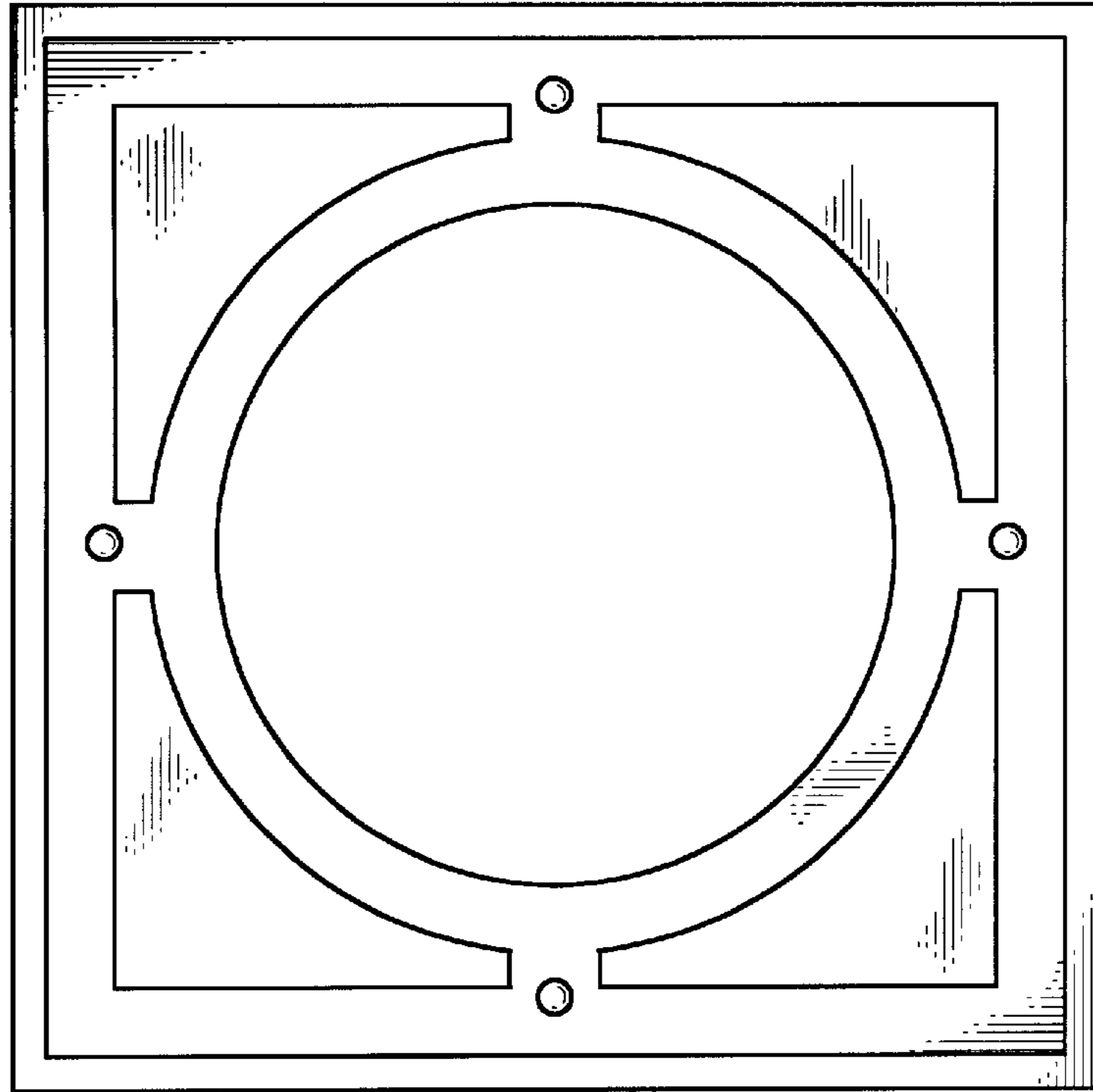


FIG. 3

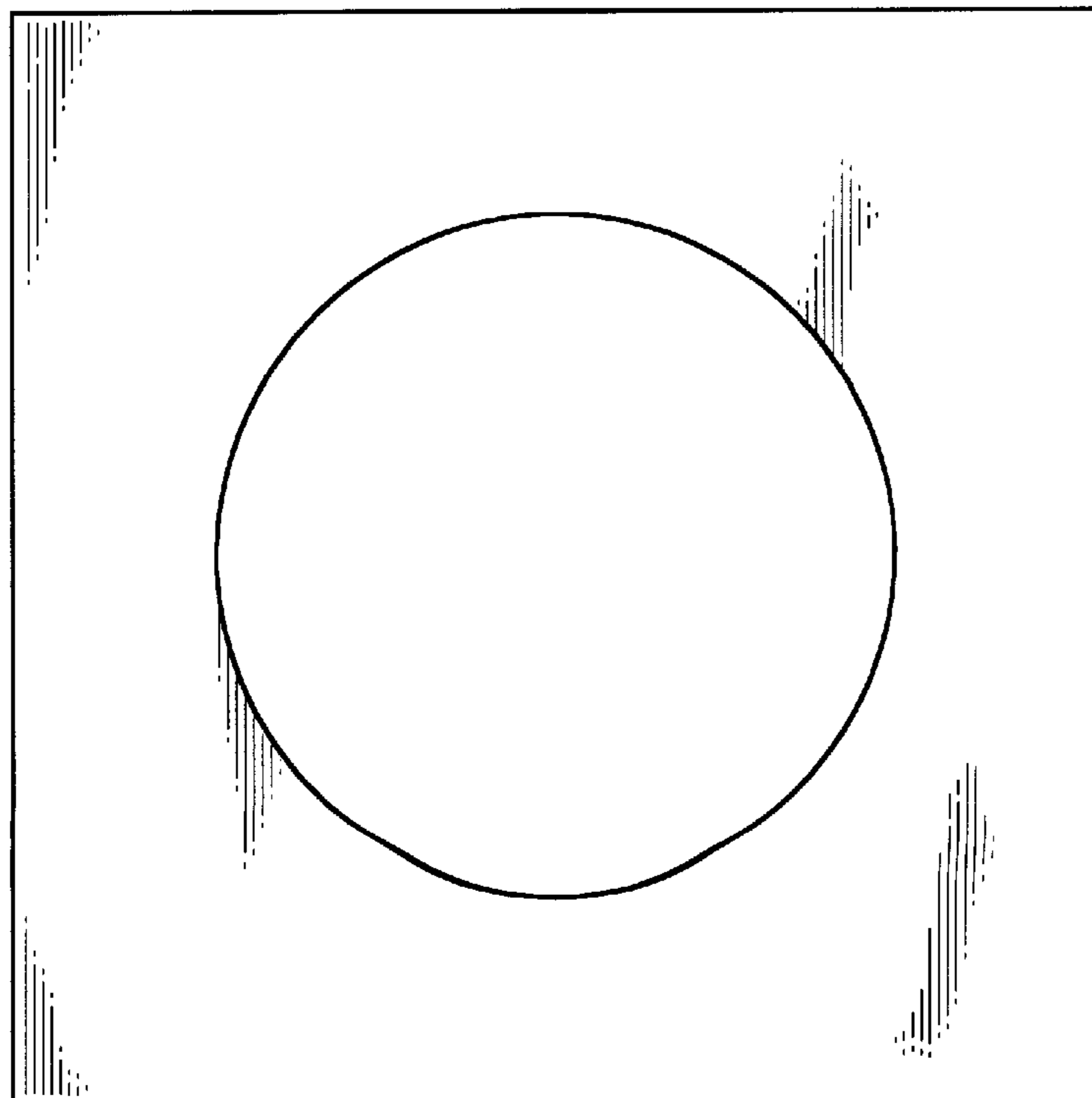


FIG. 4

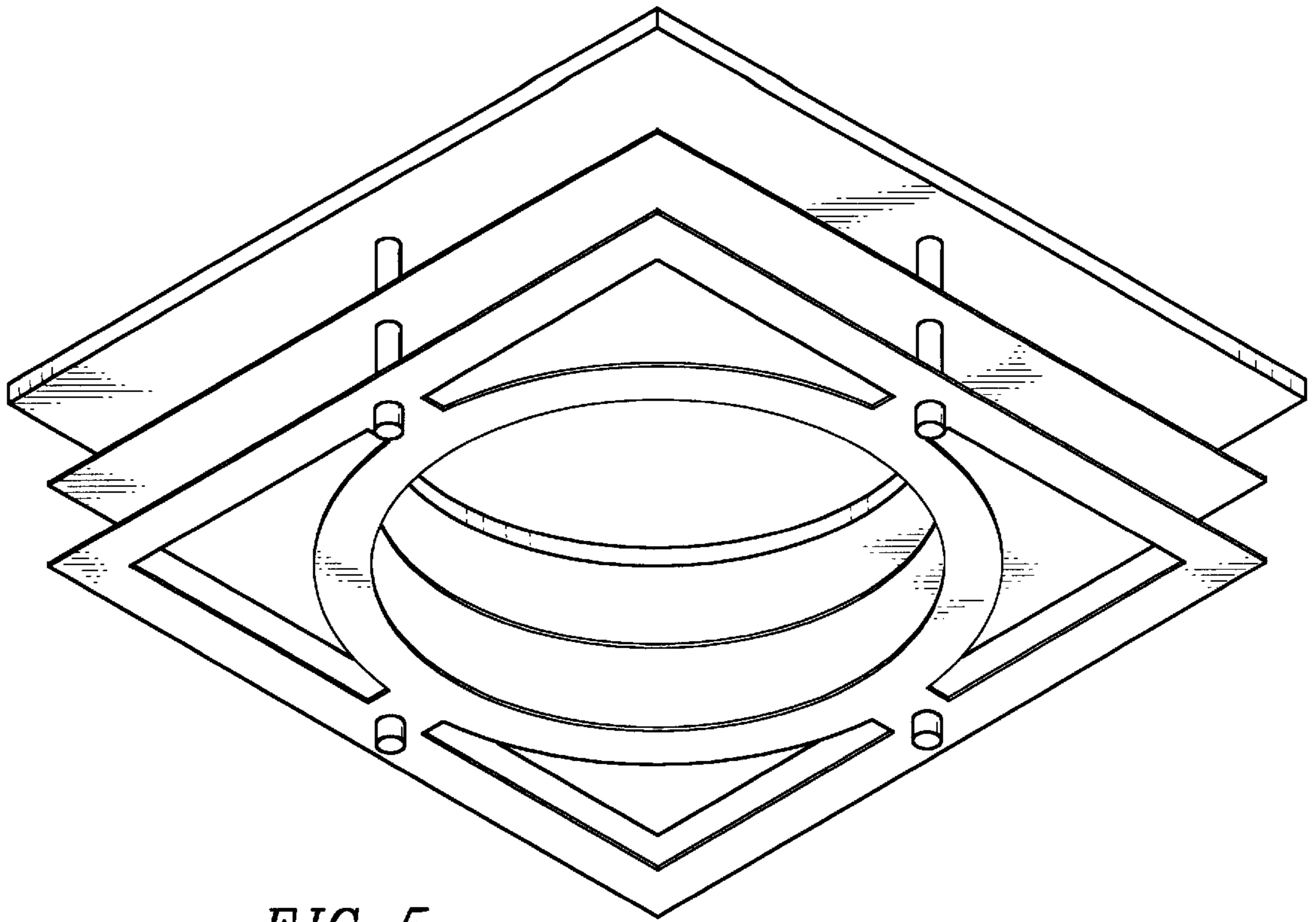


FIG. 5

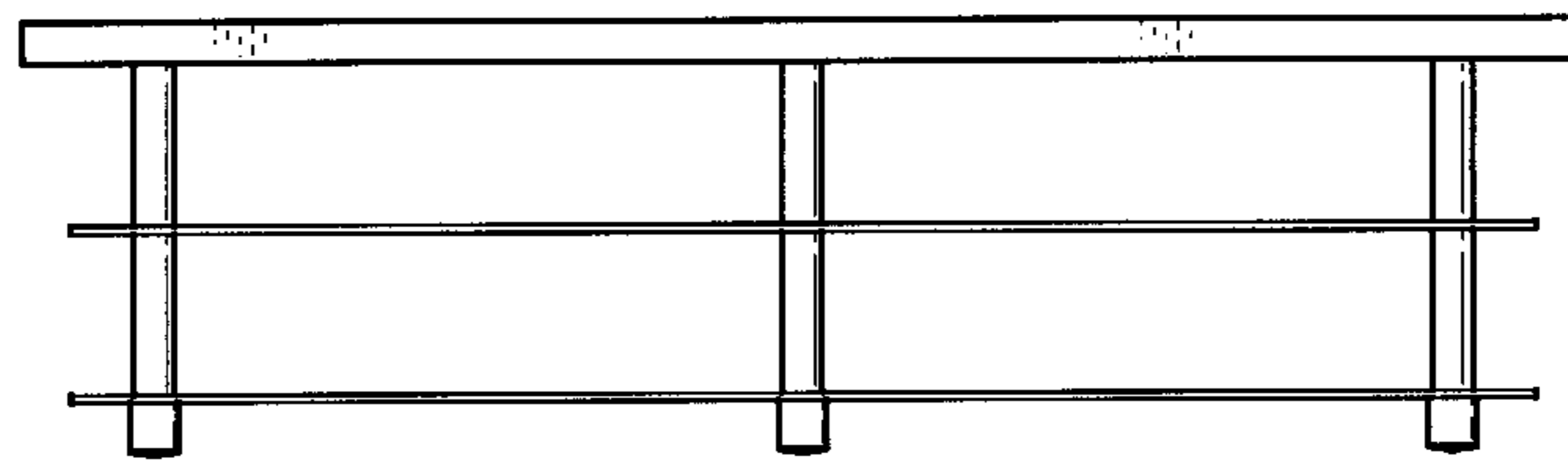


FIG. 6

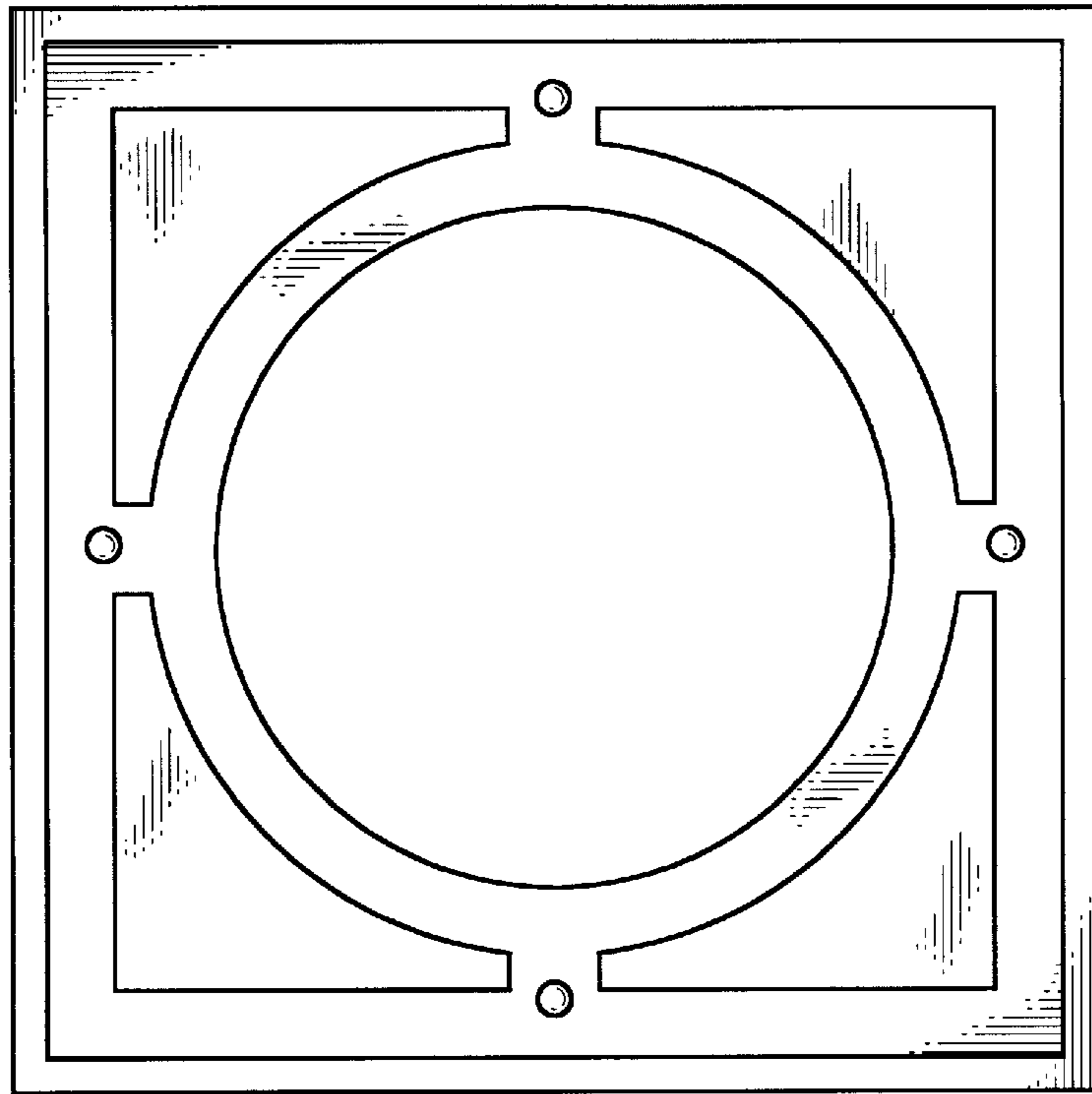


FIG. 7

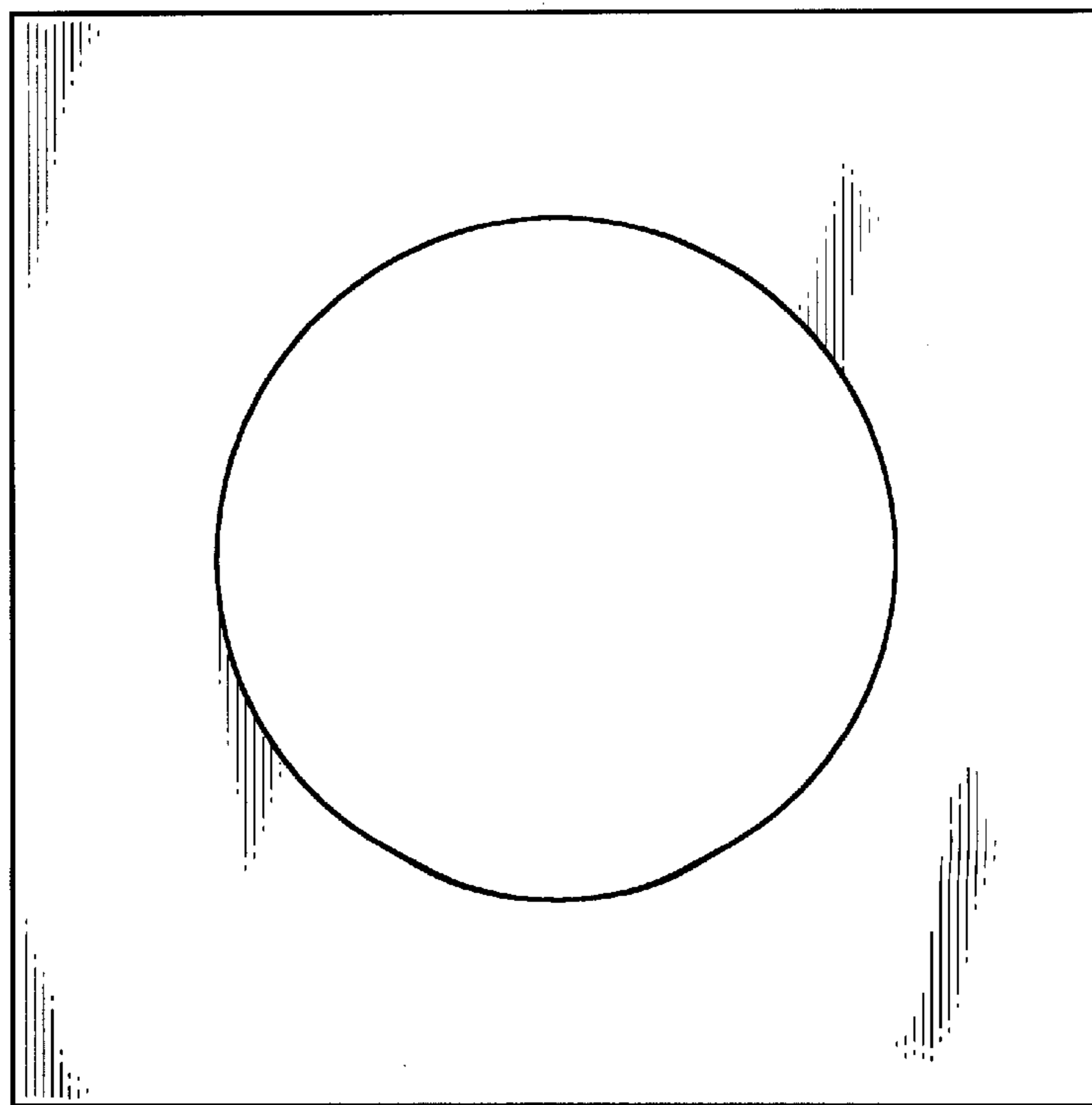


FIG. 8