



US00D416347S

United States Patent [19]

Klaus

[11] Patent Number: Des. 416,347

[45] Date of Patent: ** Nov. 9, 1999

[54] **OUTDOOR LIGHTING FIXTURE**

[75] Inventor: Dale A. Klaus, St. Albans, Mo.

[73] Assignee: Dal Partnership, St. Louis, Mo.

[**] Term: 14 Years

[21] Appl. No.: 29/087,712

[22] Filed: May 7, 1998

[51] LOC (6) Cl. 26-05

[52] U.S. Cl. D26/86; D26/67

[58] Field of Search D26/67, 68, 69,
D26/70, 71; 362/147, 431, 432, 298, 346,
309, 303

[56] **References Cited**

U.S. PATENT DOCUMENTS

D. 150,357	7/1948	Herbster	D26/86 X
D. 366,713	1/1996	Cornell et al.	D26/68
1,917,612	7/1933	Symmes	362/346
4,231,080	10/1980	Compton	362/298

OTHER PUBLICATIONS

Rab Electric Mft. Co. Catalog, 1976, "Garden & Patio Lighting".

Primary Examiner—Susan J. Lucas

Attorney, Agent, or Firm—Polster, Lieder, Woodruff & Lucchesi

[57] **CLAIM**

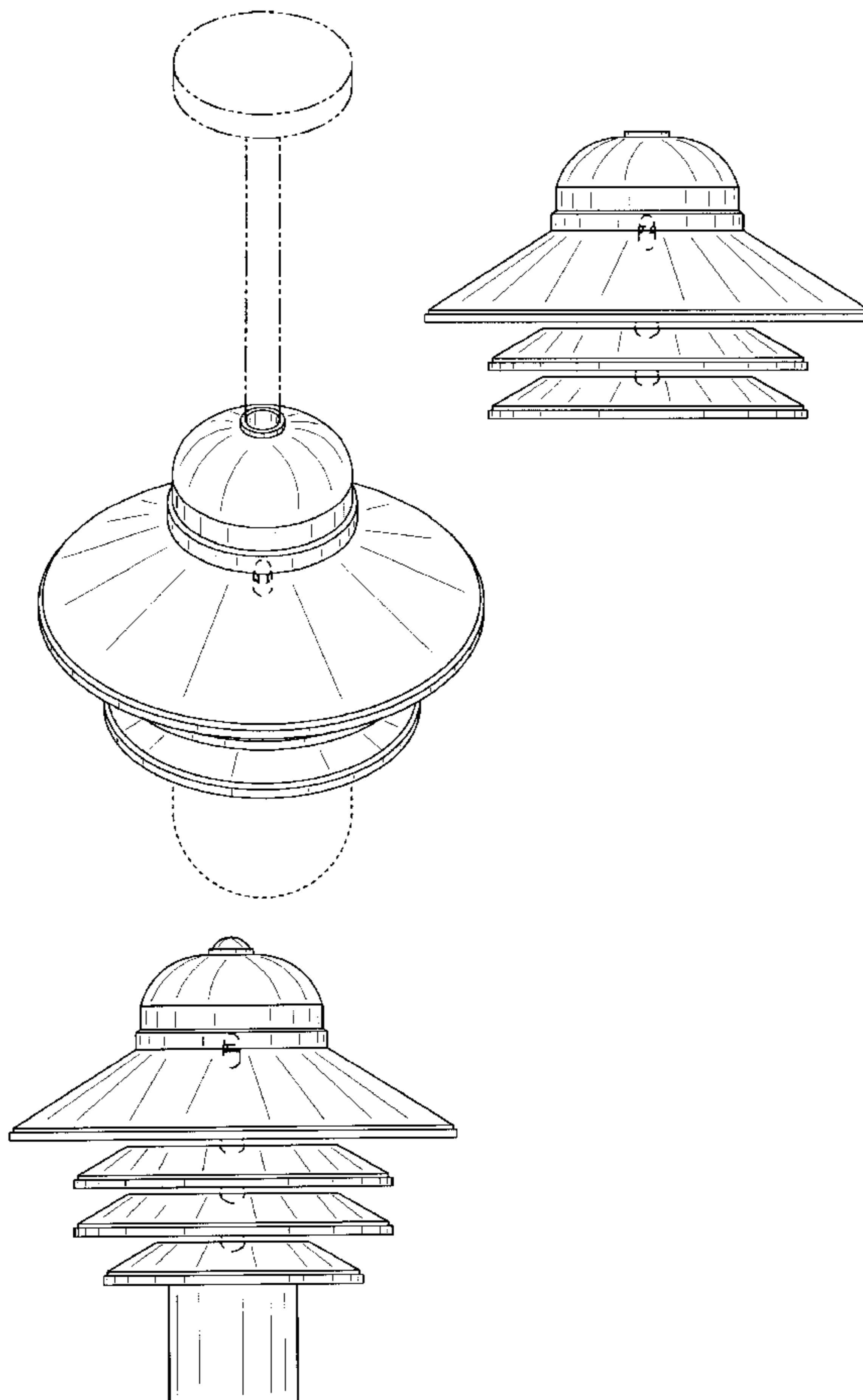
The ornamental design for the outdoor lighting fixture, as shown and described.

DESCRIPTION

FIG. 1 is a perspective view of an outdoor lighting fixture of the present invention adapted for use as a hanging fixture; FIG. 2 is a right side elevational view thereof; FIG. 3 is a left side elevational view thereof; FIG. 4 is a front elevational view thereof; FIG. 5 is a back elevational view thereof; FIG. 6 is a top plan view thereof; FIG. 7 is a bottom plan view thereof; FIG. 8 is a perspective view of a second embodiment of the lighting fixture adapted for mounting atop a pole; FIG. 9 is a front elevational view thereof; FIG. 10 is a back elevational view thereof; FIG. 11 is a right side elevational view thereof; FIG. 12 is a left side elevational view thereof; FIG. 13 is a top plan view thereof; and, FIG. 14 is a bottom plan view thereof.

The broken lines are shown for illustrative purposes only and form no part of the claimed design.

1 Claim, 4 Drawing Sheets



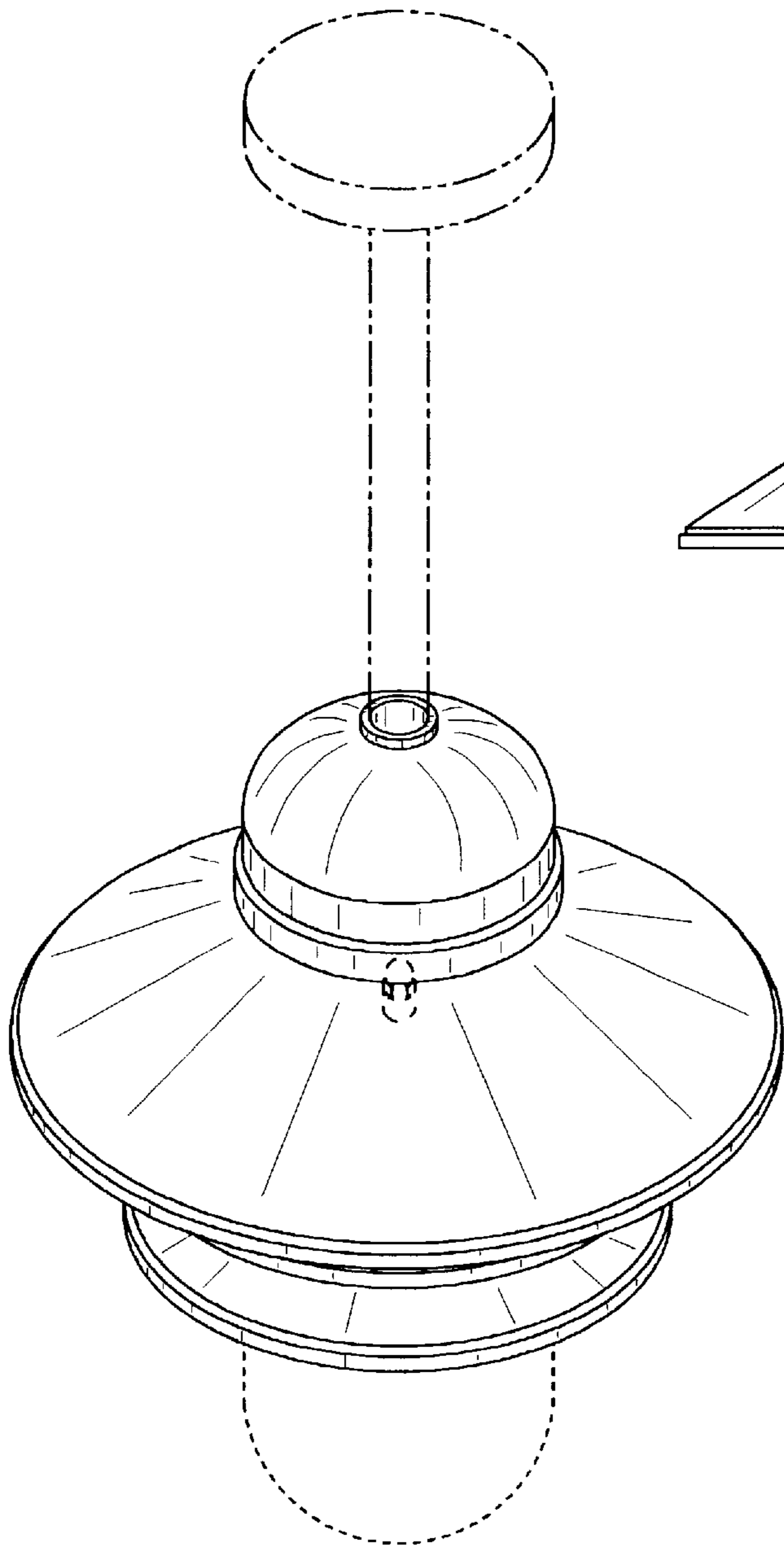


FIG. 1

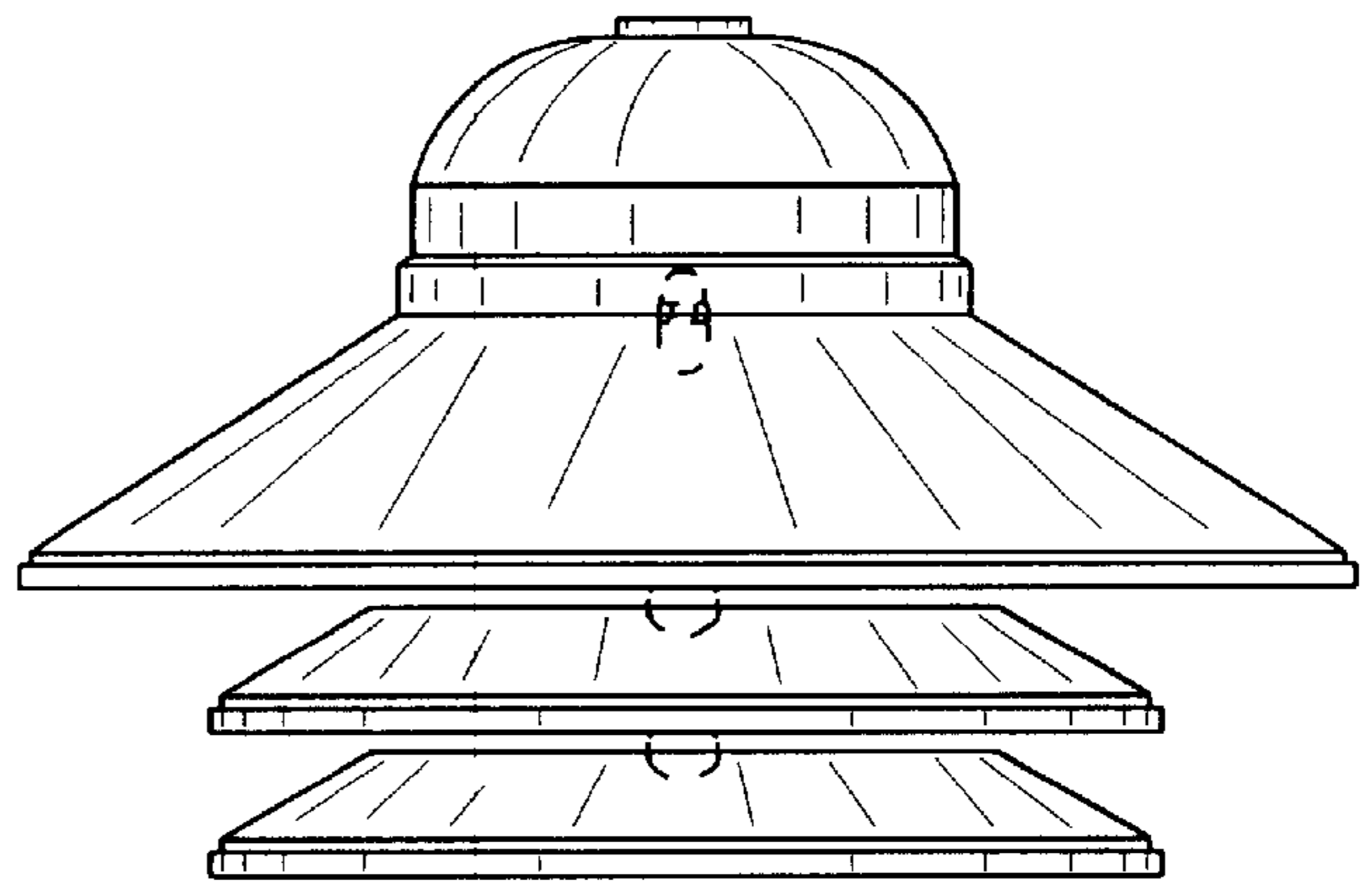


FIG. 2

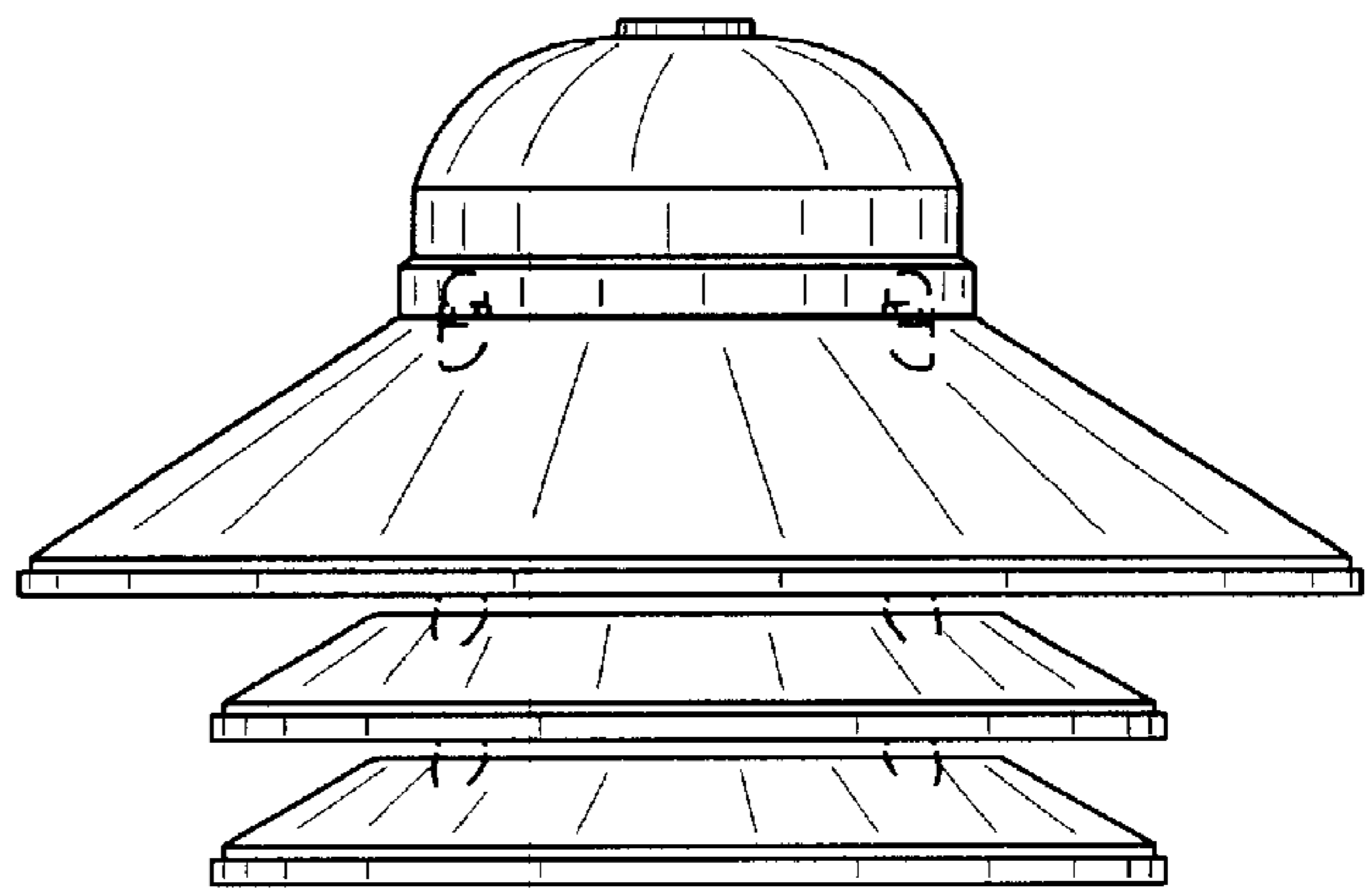


FIG. 3

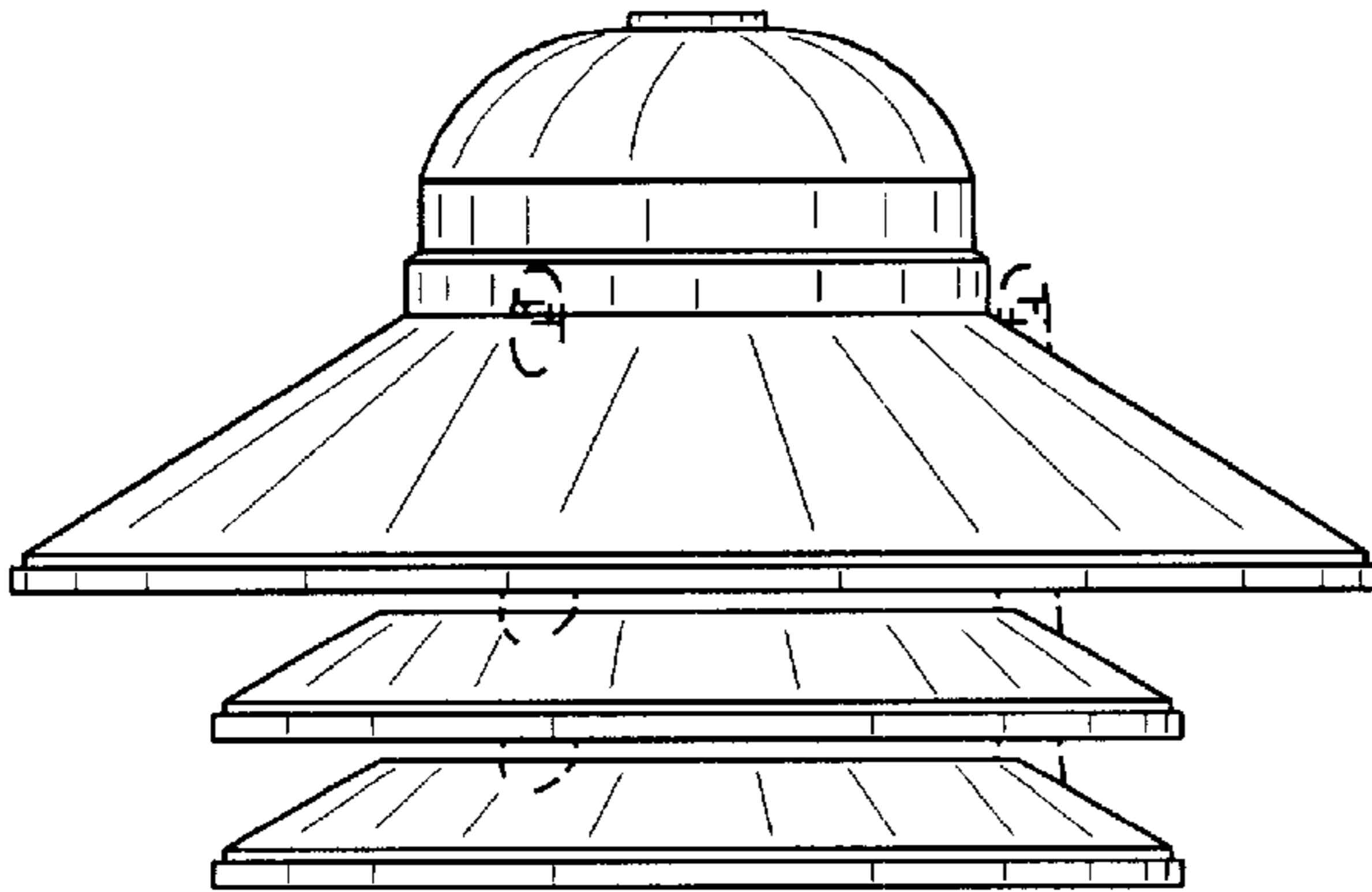


FIG. 4

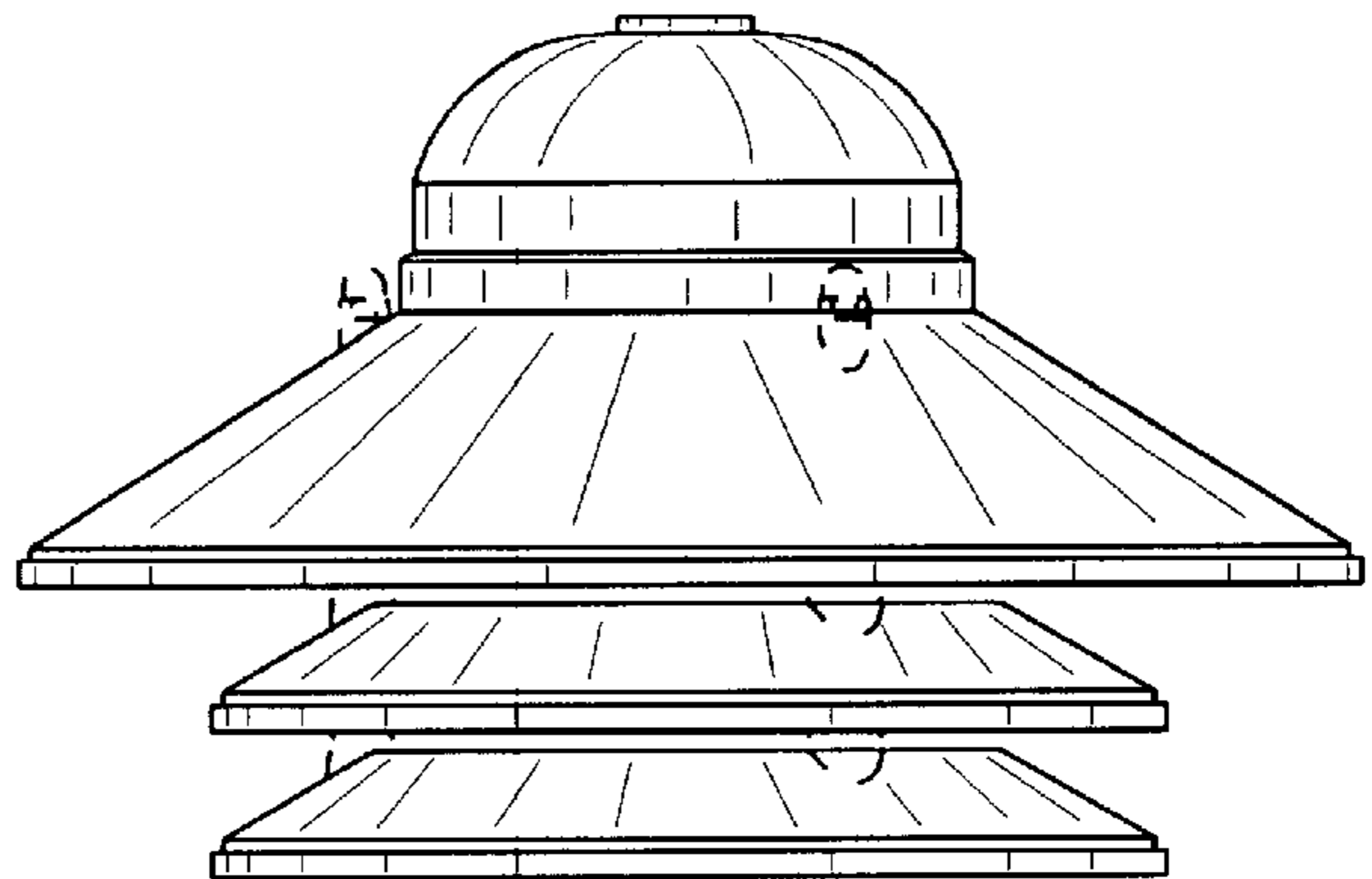


FIG. 5

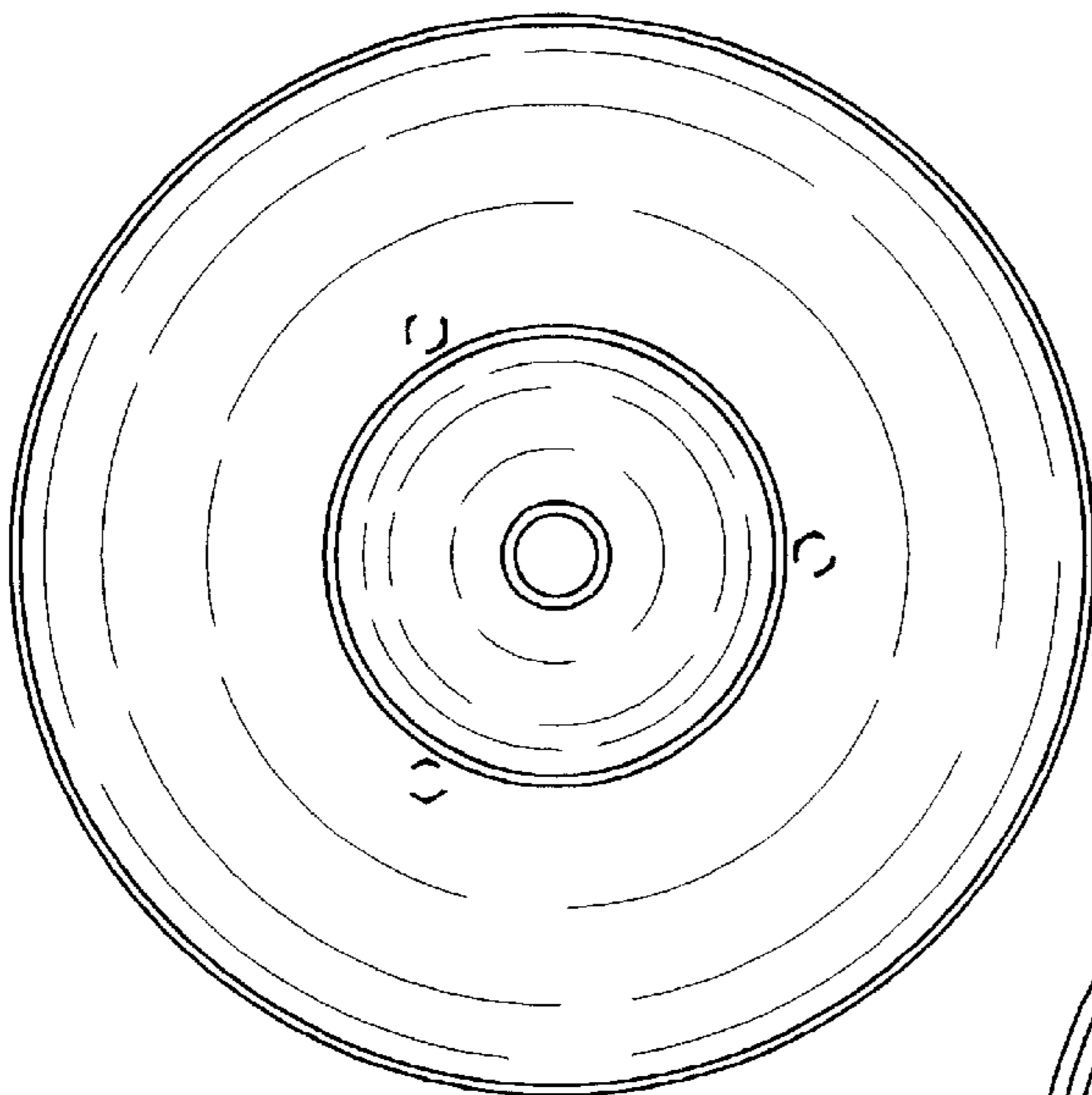


FIG. 6

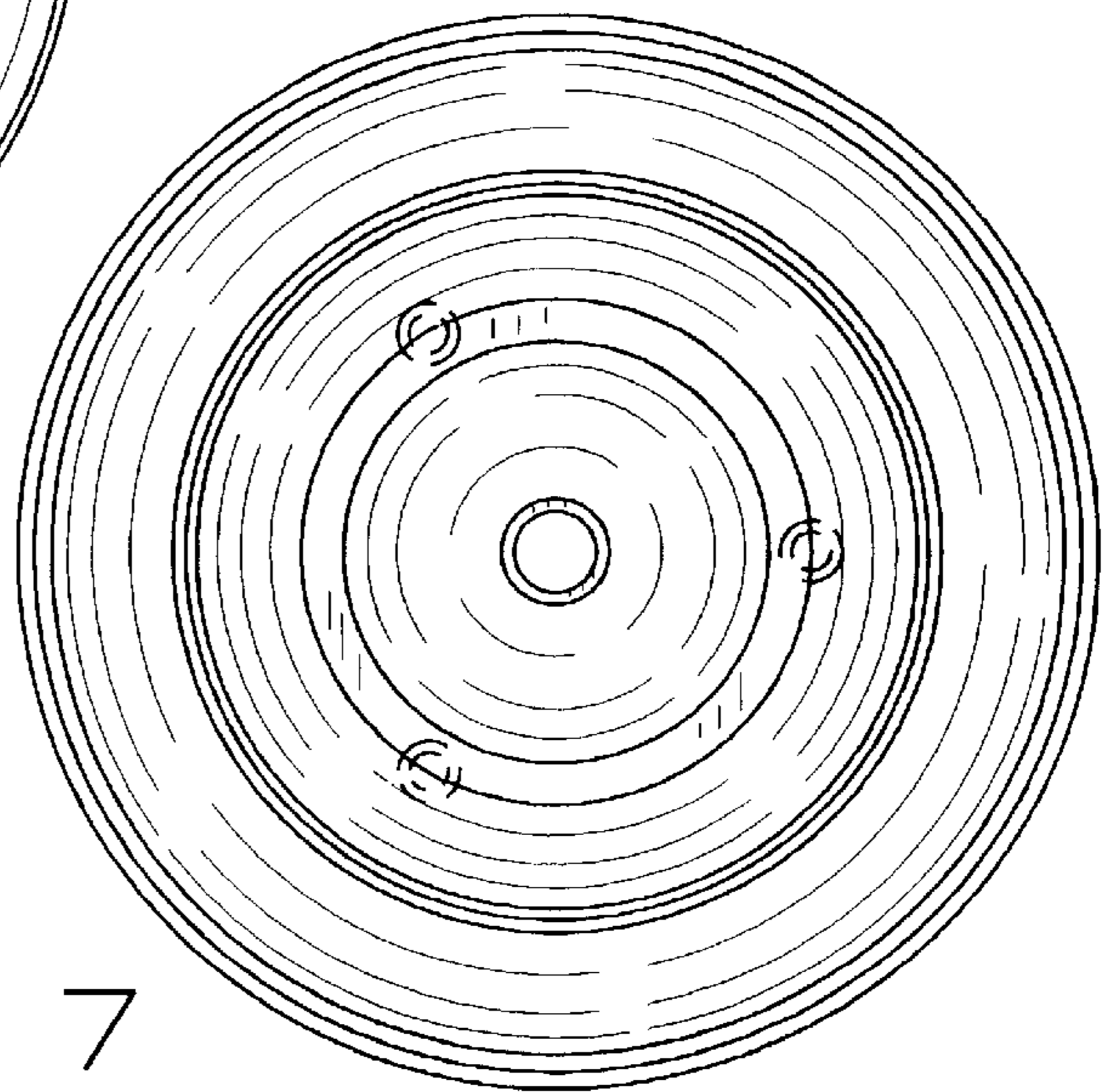


FIG. 7

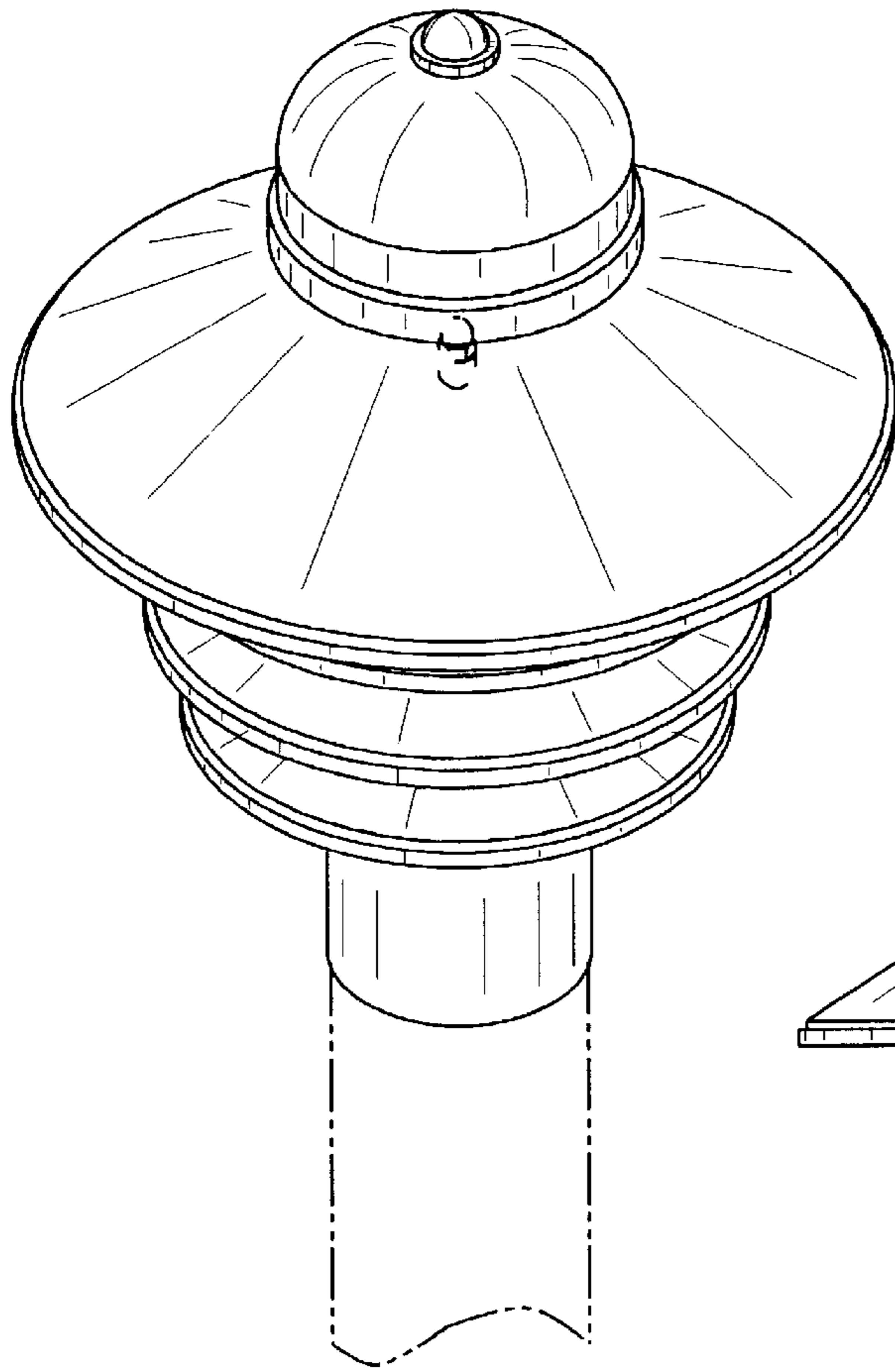


FIG. 8

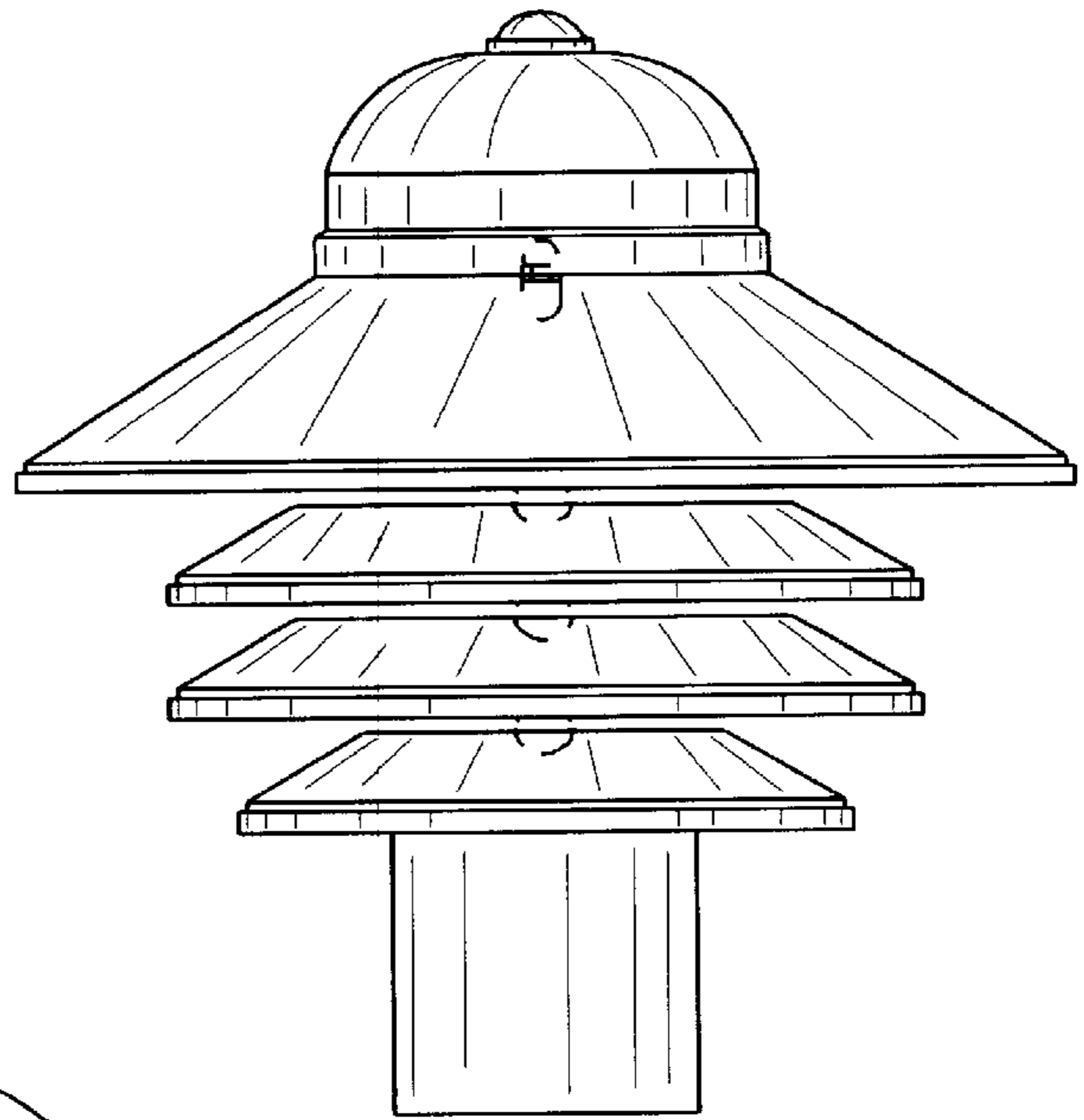


FIG. 9

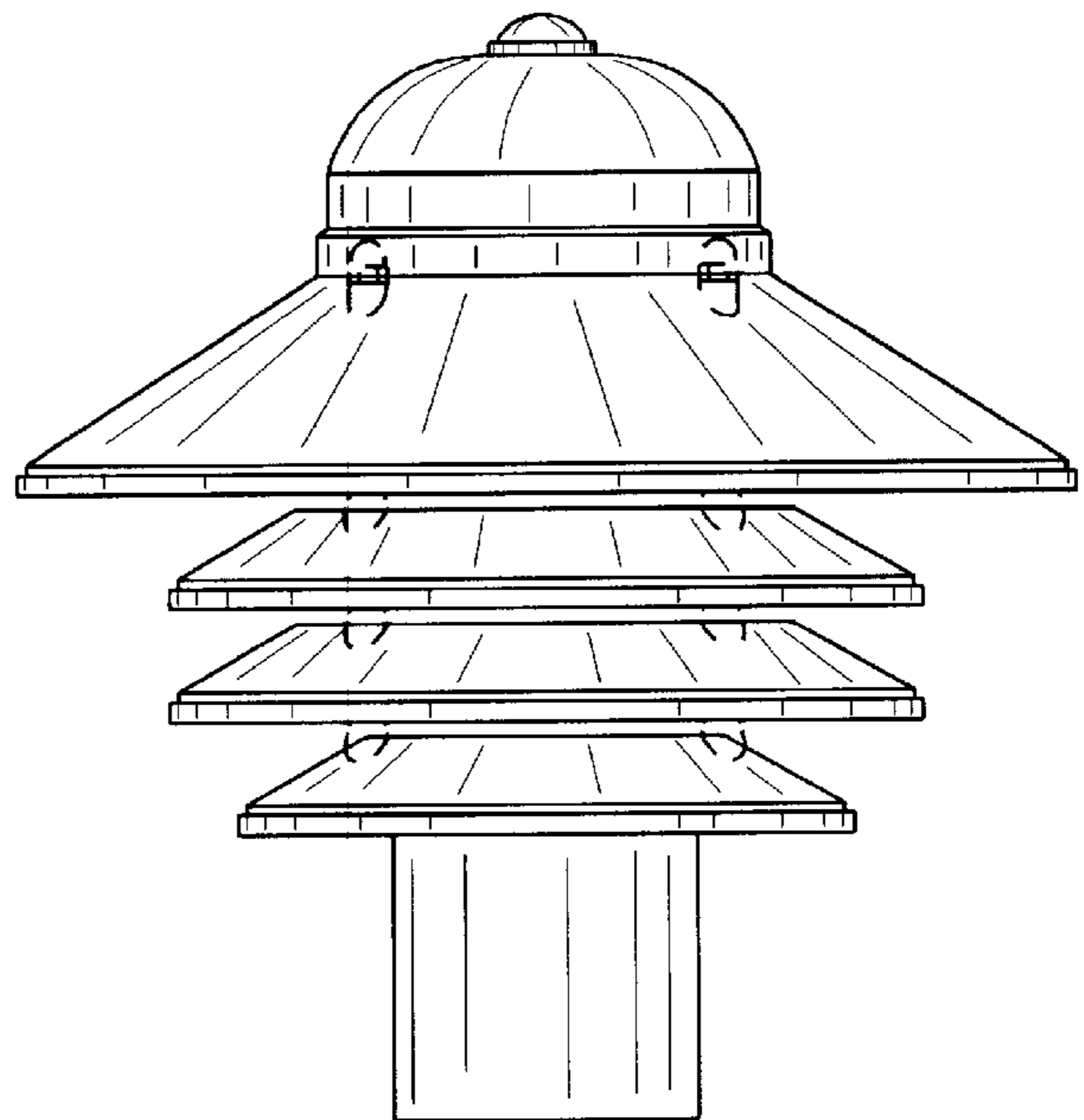


FIG. 10

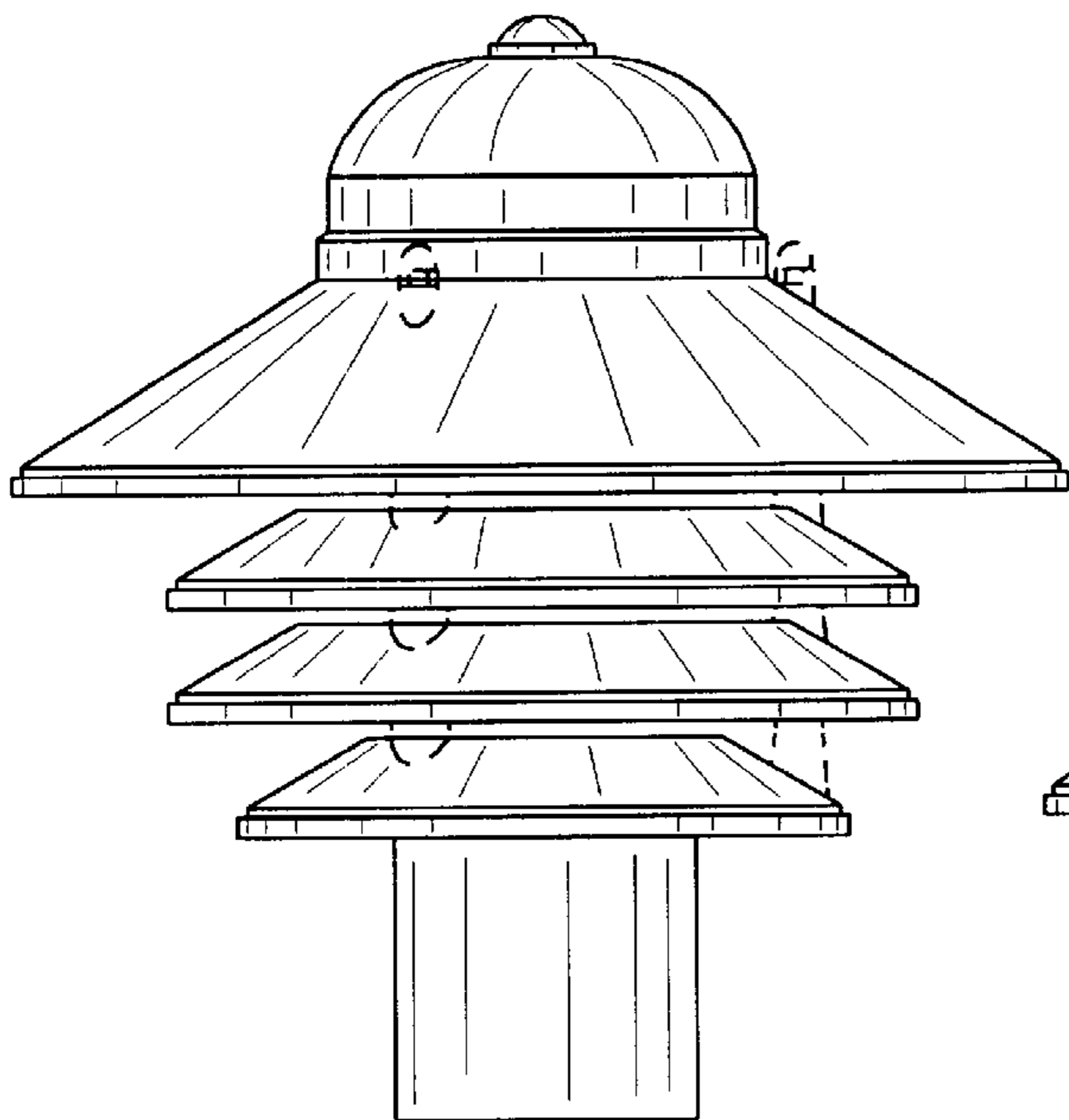


FIG. 11

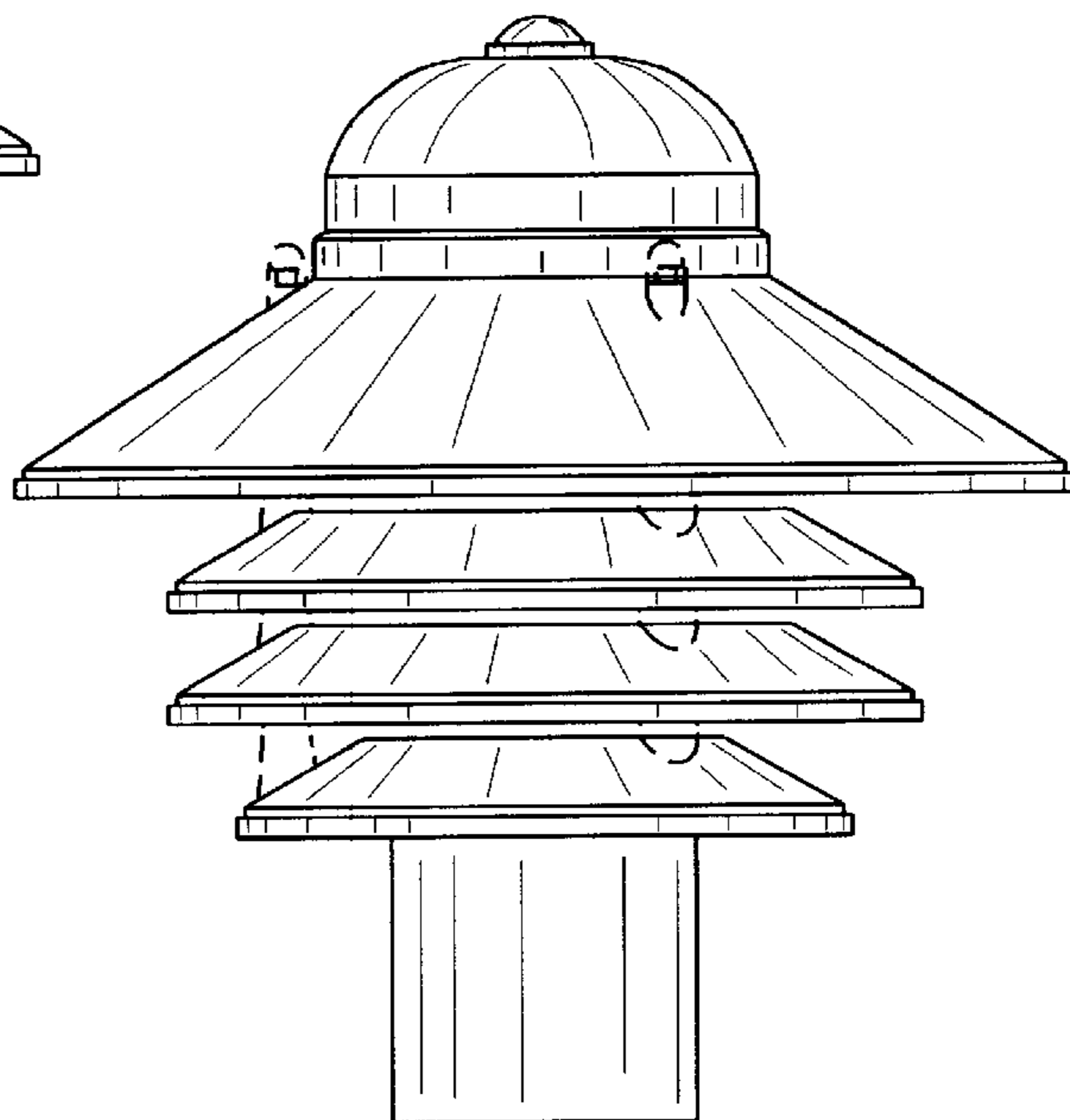


FIG. 12

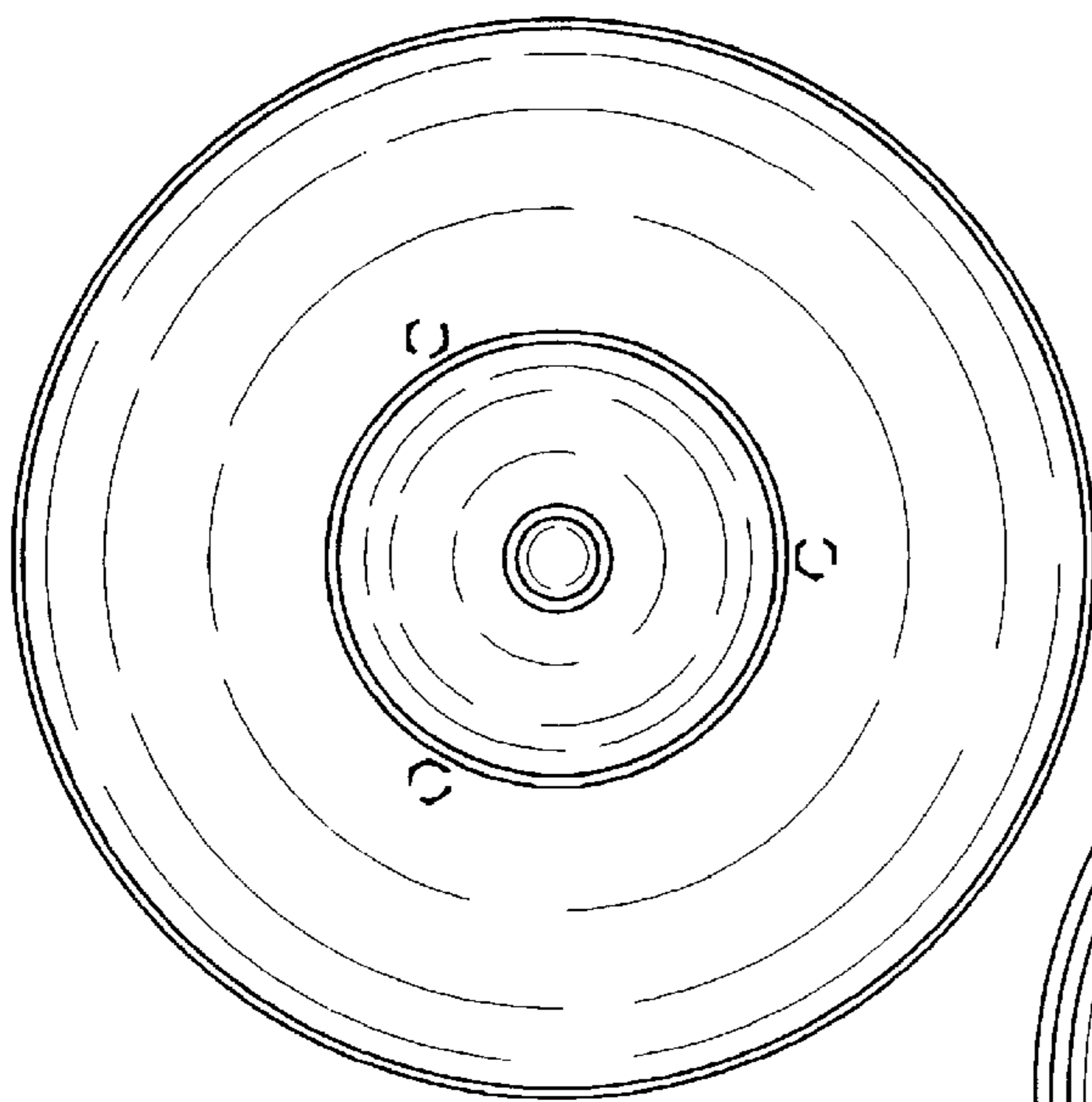


FIG. 13

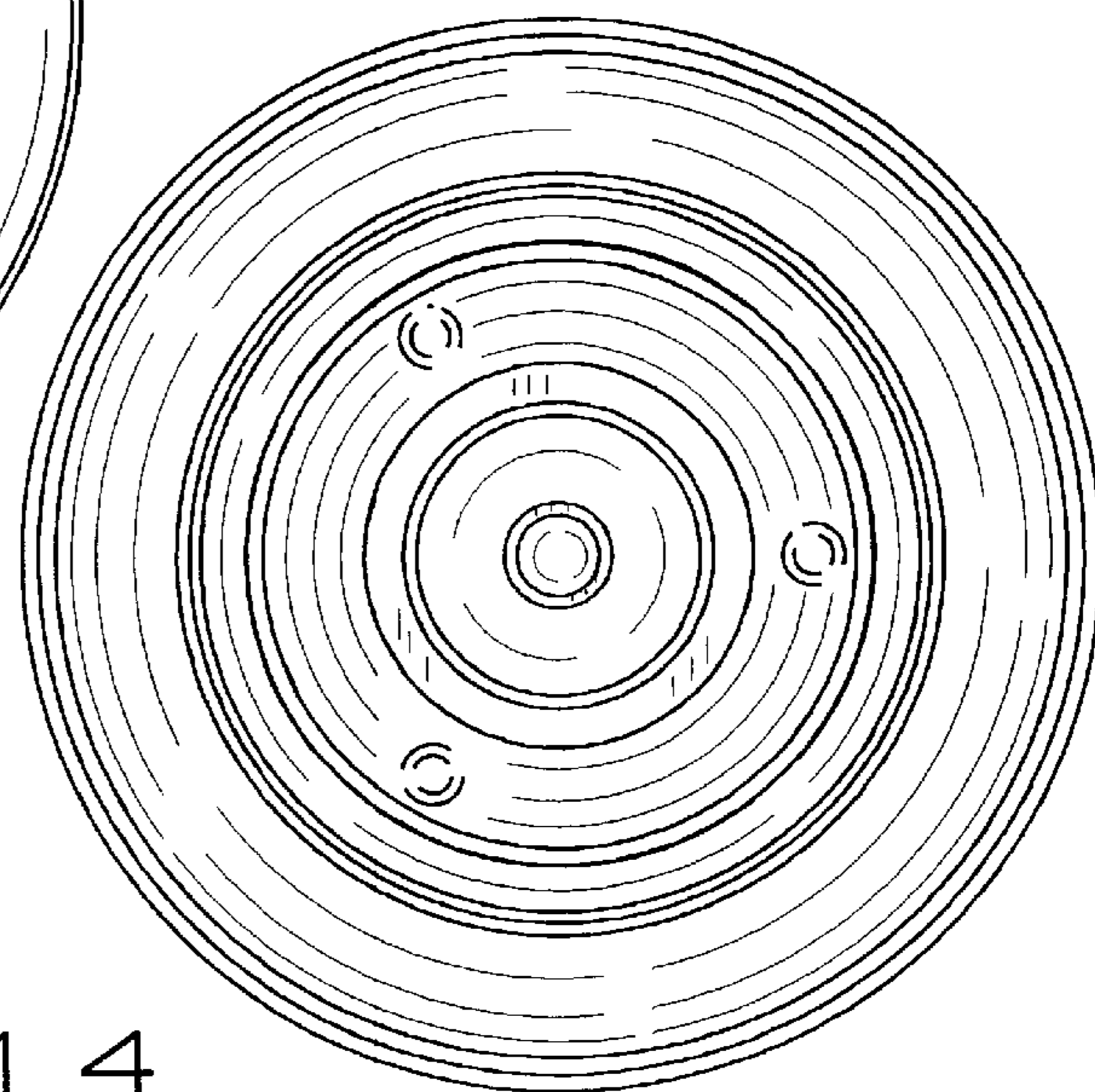


FIG. 14