



US00D416342S

United States Patent [19] Hussaini

[11] Patent Number: Des. 416,342

[45] Date of Patent: ** Nov. 9, 1999

[54] AUXILIARY VEHICLE LIGHT

[75] Inventor: Saied Hussaini, Miami, Fla.

[73] Assignee: Rally Manufacturing, Inc., Miami, Fla.

[**] Term: 14 Years

[21] Appl. No.: 29/097,593

[22] Filed: Dec. 10, 1998

[51] LOC (6) Cl. 26-06

[52] U.S. Cl. D26/29

[58] Field of Search D26/28, 29, 36;
362/460, 464, 465, 467, 493, 499, 507,
518, 512, 523, 529, 530, 538, 269, 277,
287, 418, 419, 427

[56] References Cited

U.S. PATENT DOCUMENTS

D. 390,979	2/1998	Yamamoto	D26/28
D. 390,980	2/1998	Yamamoto	D26/28
3,093,320	6/1963	Knapp	362/227
3,235,720	2/1966	Bridge	362/518
5,788,363	8/1998	Kamaya et al.	362/418 X

Primary Examiner—Susan J. Lucas
Attorney, Agent, or Firm—Liniak, Berenato, Longacre & White

[57] CLAIM

The ornamental desing for an auxiliary vehicle light, as shown and described.

DESCRIPTION

FIG. 1 is a front view of the auxiliary vehicle light according to the present invention.

FIG. 2 is a rear view of the auxiliary vehicle light of FIG. 1 according to the present invention.

FIG. 3 is a left side view of the auxiliary vehicle light of FIG. 1 according to the present invention.

FIG. 4 is a right side view of the auxiliary vehicle light of FIG. 1 according to the present invention.

FIG. 5 is a top view of the auxiliary vehicle light of FIG. 1 according to the present invention.

FIG. 6 is a bottom view of the auxiliary vehicle light of FIG. 1 according to the present invention.

FIG. 7 is a perspective view of the auxiliary vehicle light of FIG. 1 according to the present invention.

The broken lines are shown for illustrative purposes only and form no part of the claimed design.

1 Claim, 4 Drawing Sheets

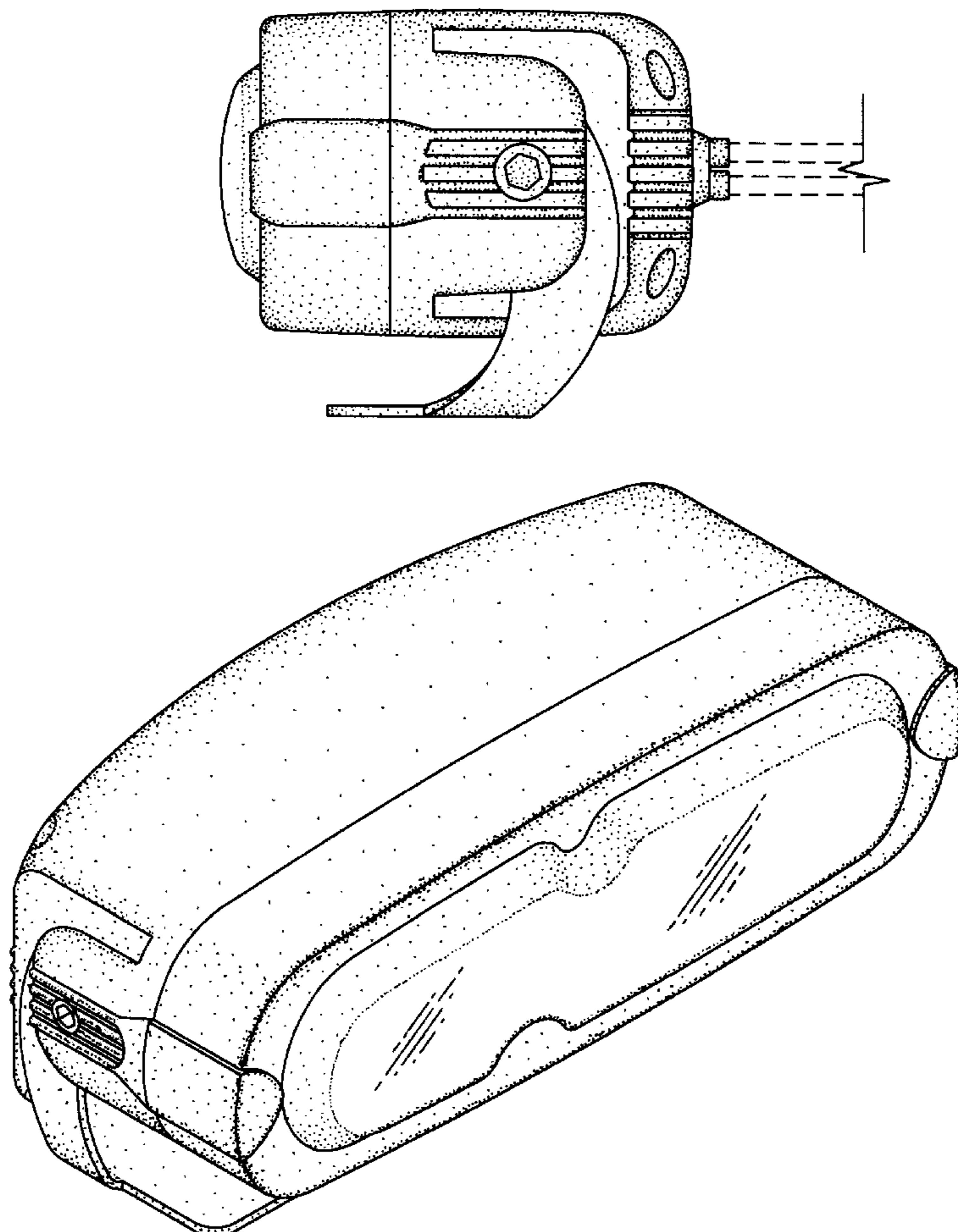


Fig. 1

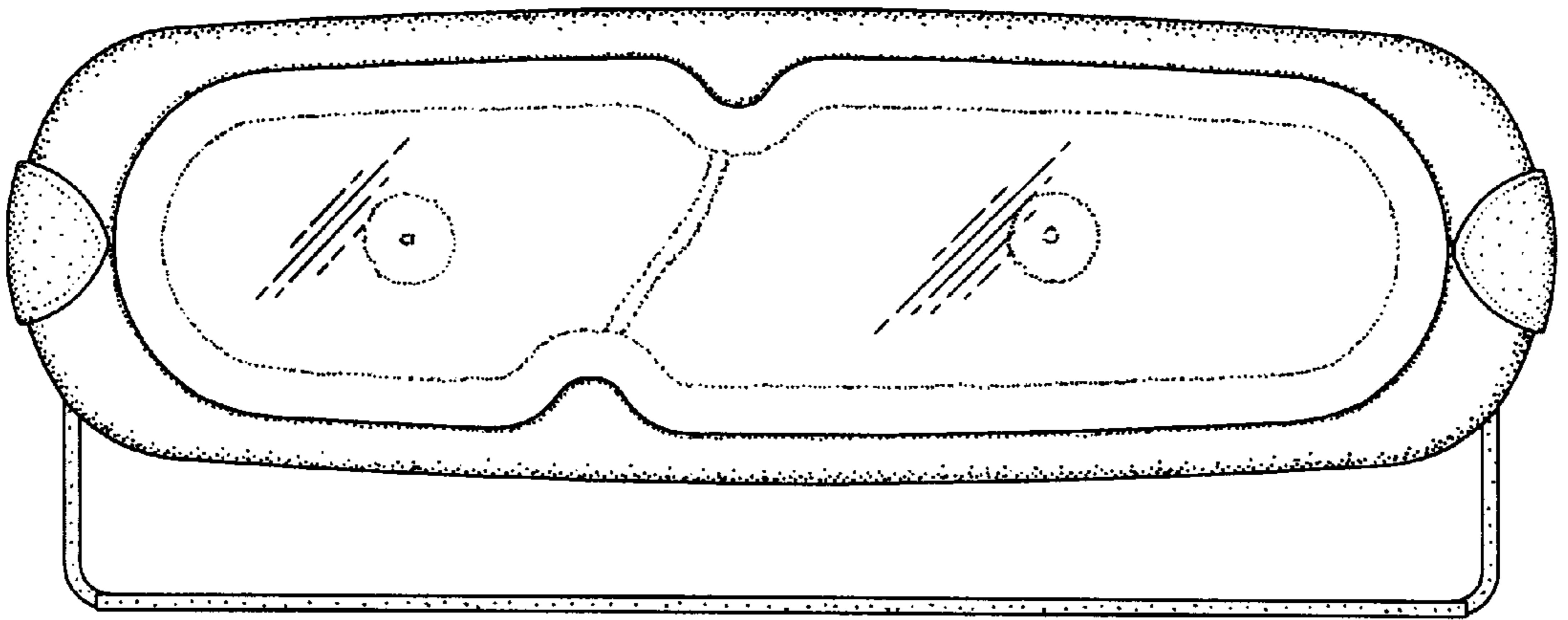


Fig. 2

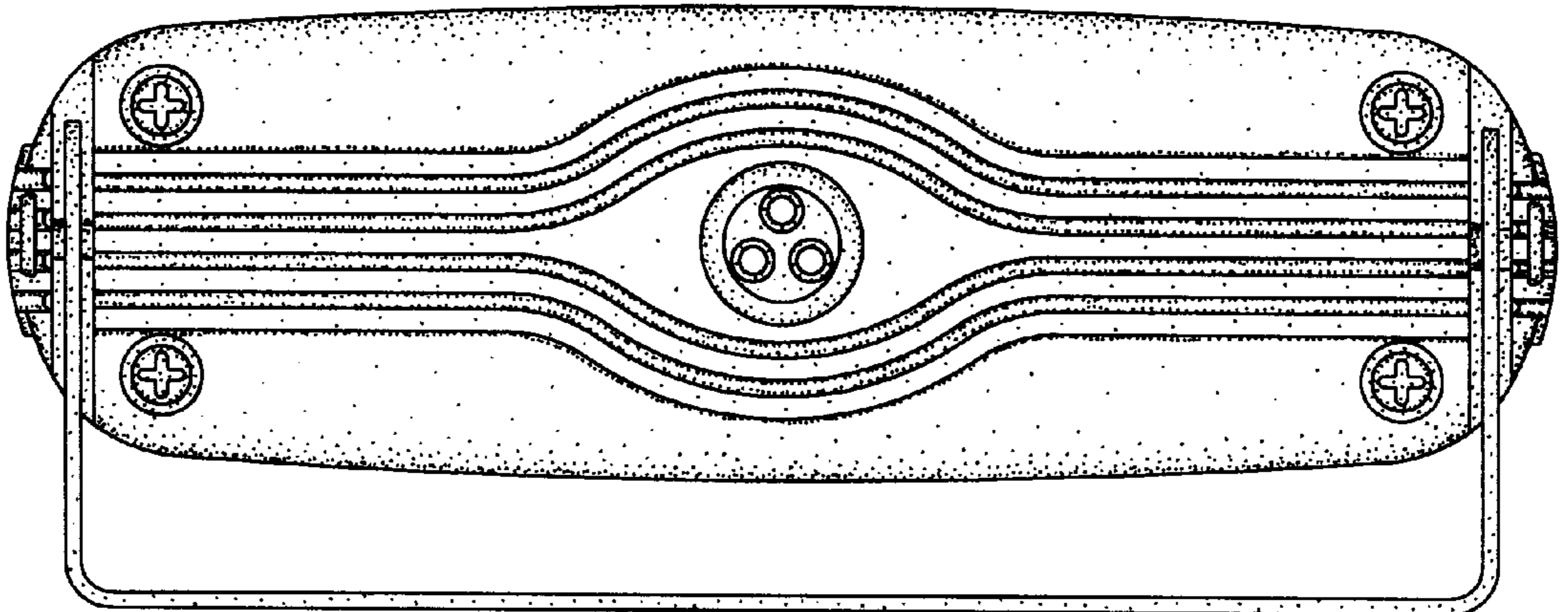


Fig. 3

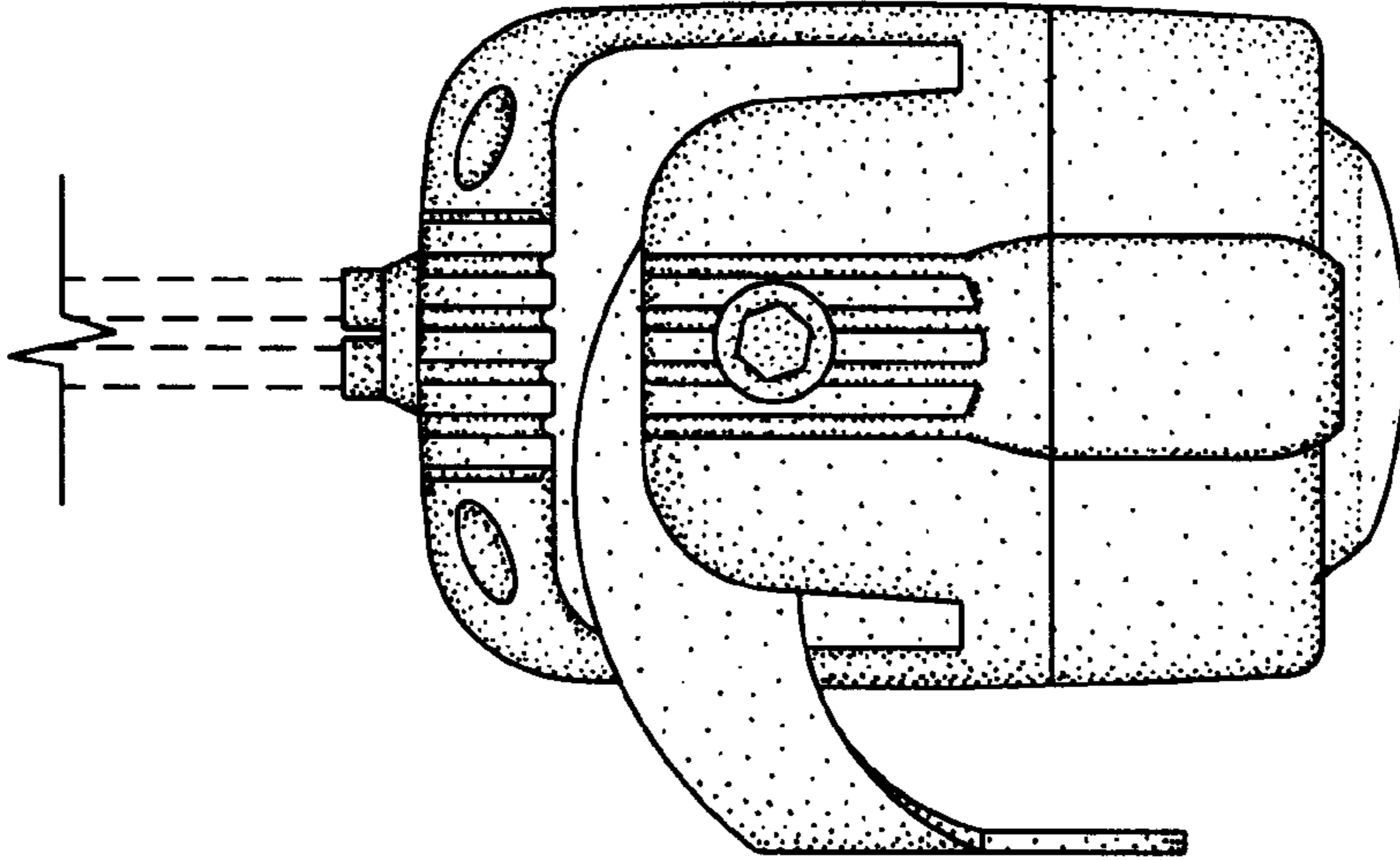


Fig. 4

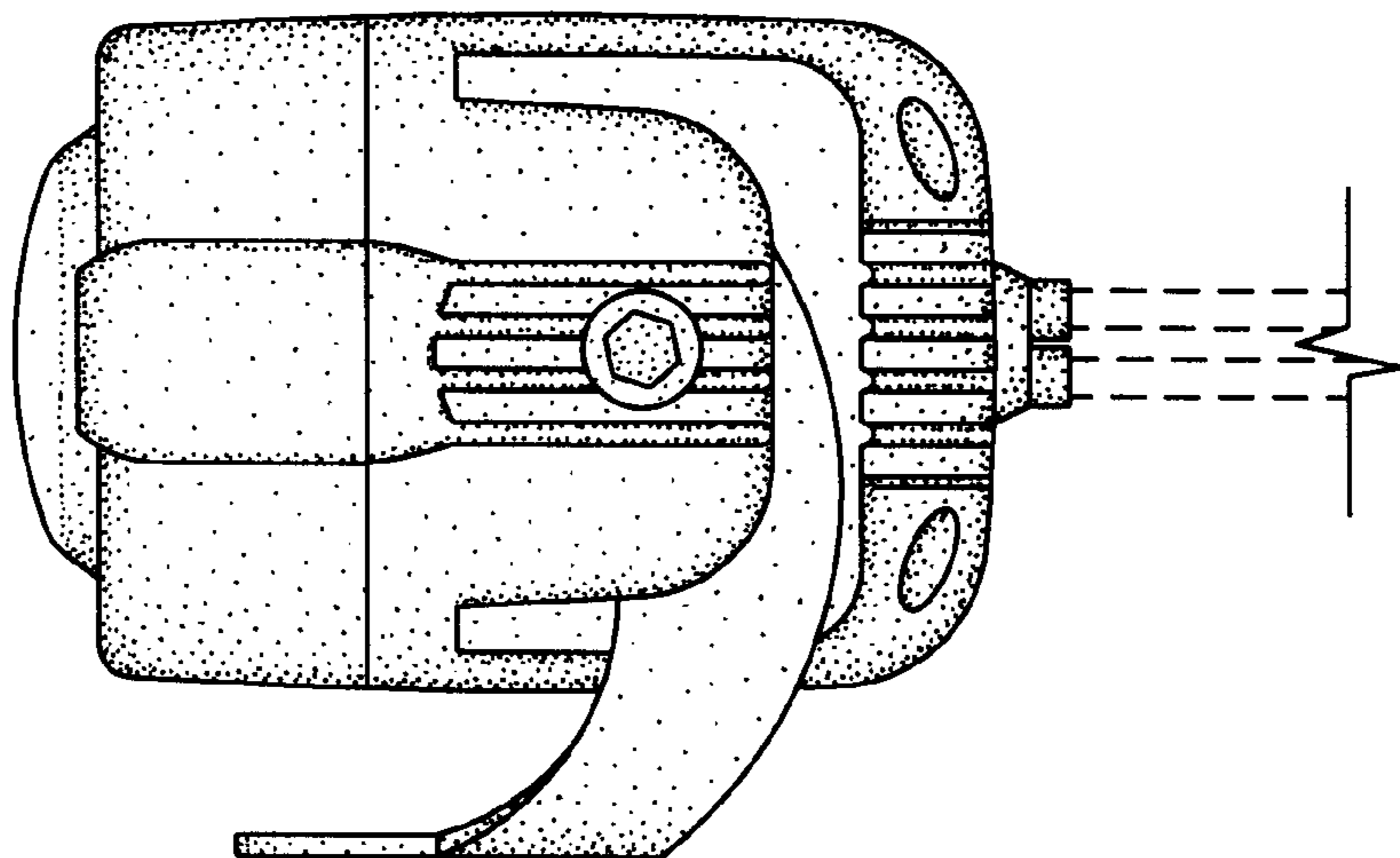


Fig. 5

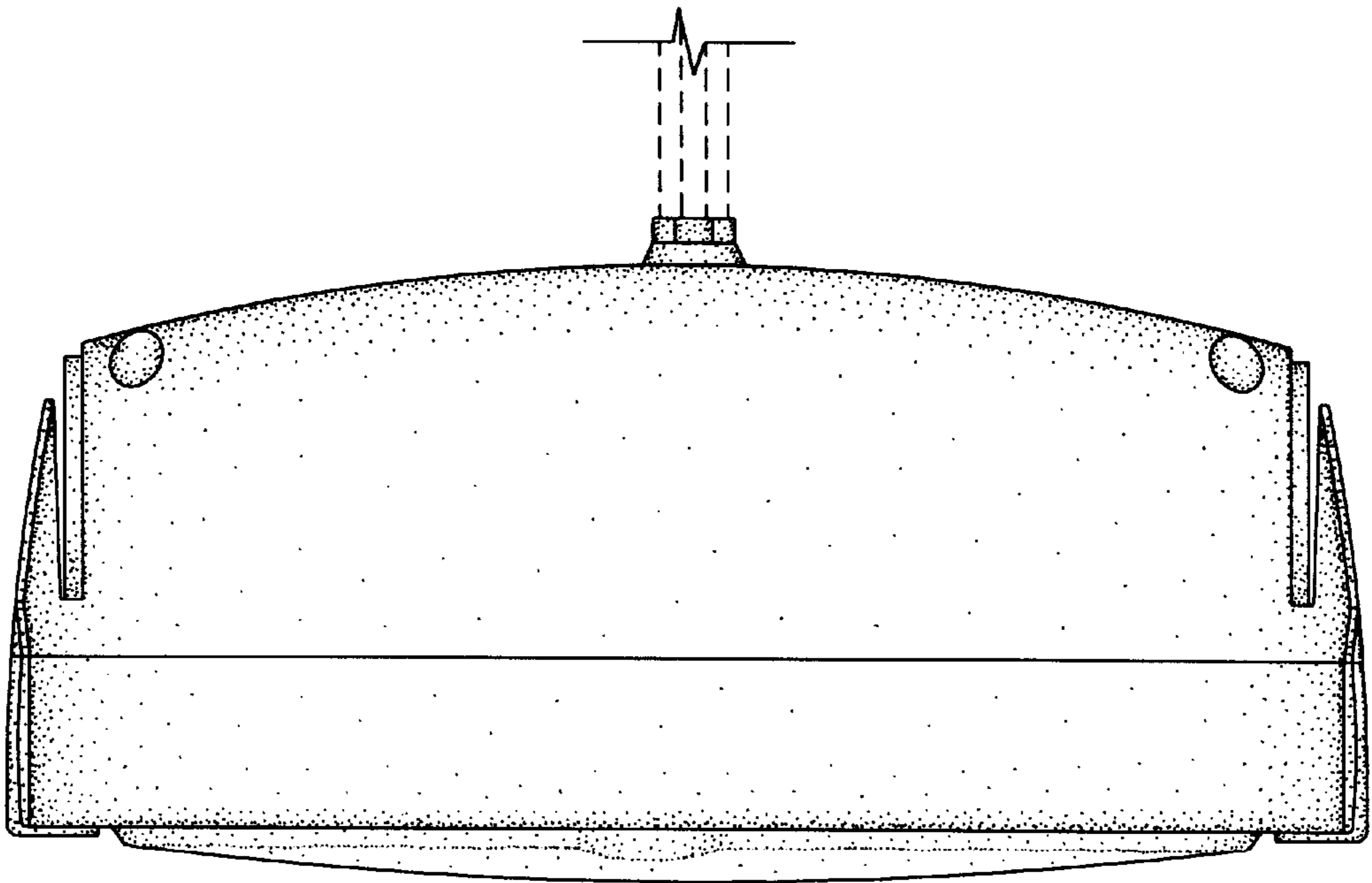


Fig. 6

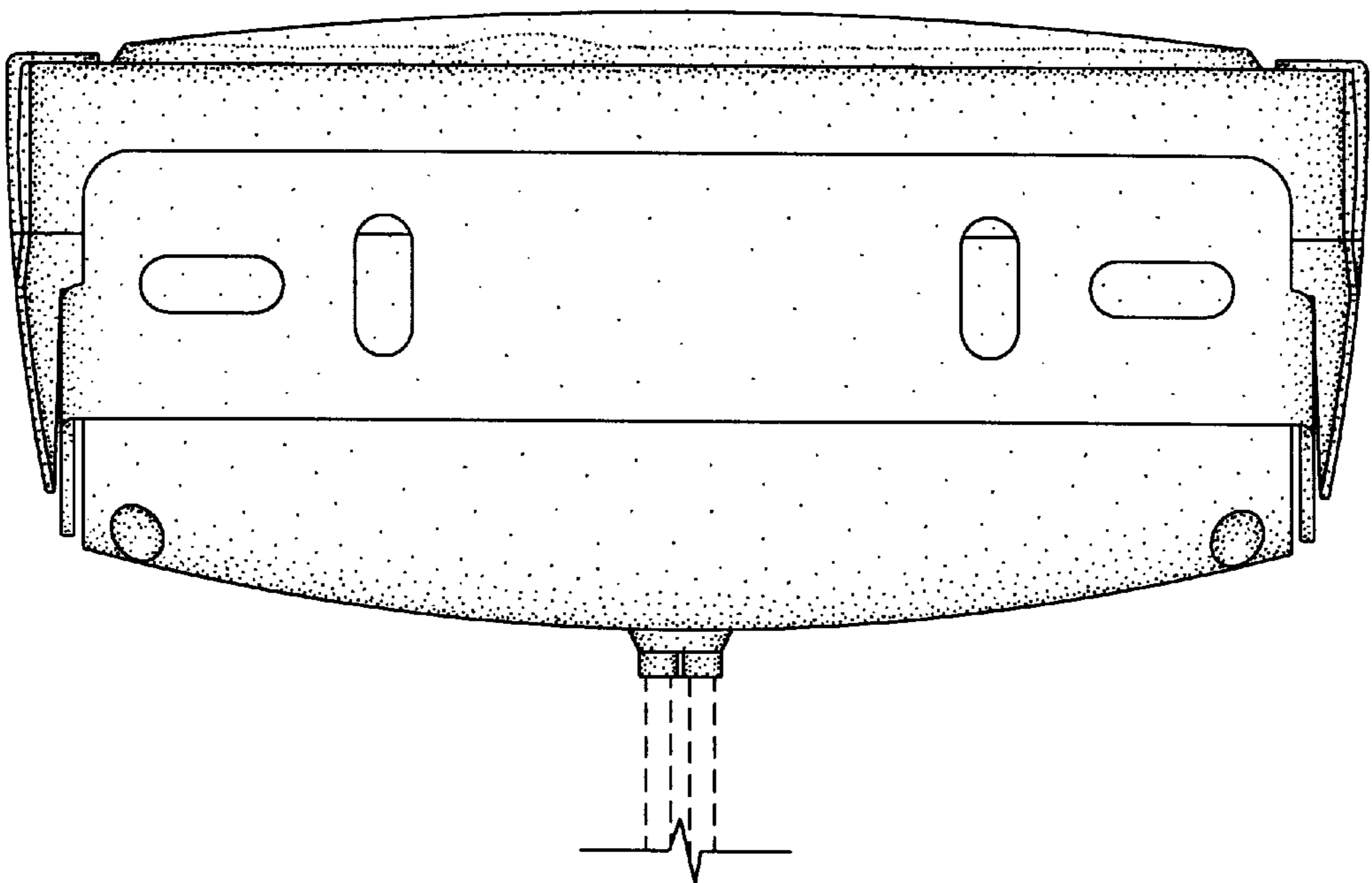


Fig. 7

