



US00D416340S

**United States Patent** [19]  
**Sher**

[11] **Patent Number: Des. 416,340**

[45] **Date of Patent: \*\* Nov. 9, 1999**

[54] **CANDLE HOLDER**

[76] Inventor: **Diane Risa Sher**, 5840 74th St., Los Angeles, Calif. 90045

[\*\*] Term: **14 Years**

[21] Appl. No.: **29/097,817**

[22] Filed: **Dec. 15, 1998**

[51] **LOC (6) Cl. .... 26-01**

[52] **U.S. Cl. .... D26/9**

[58] **Field of Search** ..... D26/6, 7, 9-16,  
D26/20, 23; 431/125, 126, 292-295

[56] **References Cited**

**U.S. PATENT DOCUMENTS**

D. 47,483	6/1915	Burger	.....	D26/9
D. 132,868	6/1942	Sawyer	.....	D26/9
D. 171,517	2/1954	Pachico	.....	D26/9

*Primary Examiner*—Robin V. Taylor  
*Attorney, Agent, or Firm*—David A. Belasco; William H. Pavitt, Jr.; Beehler & Pavitt

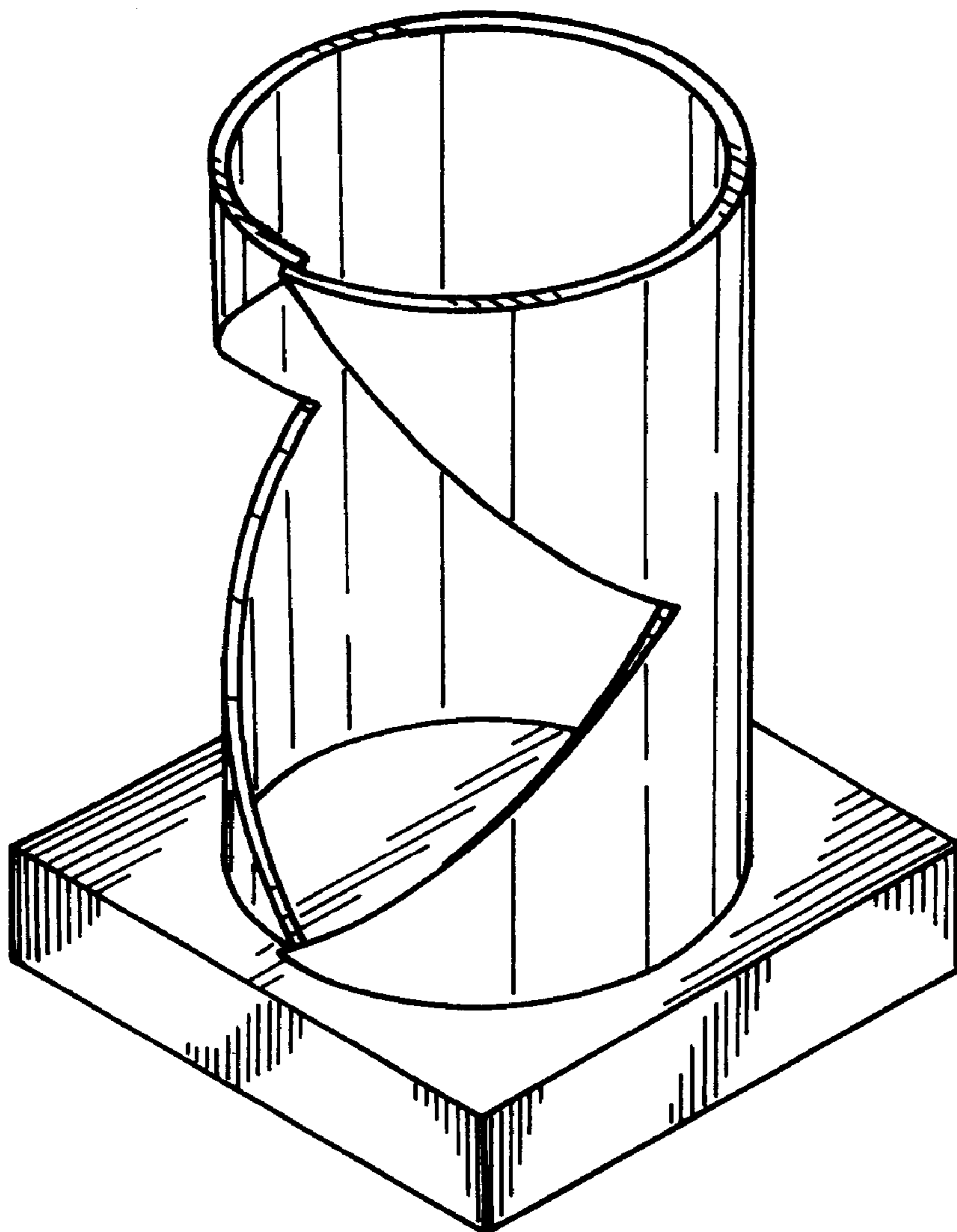
[57] **CLAIM**

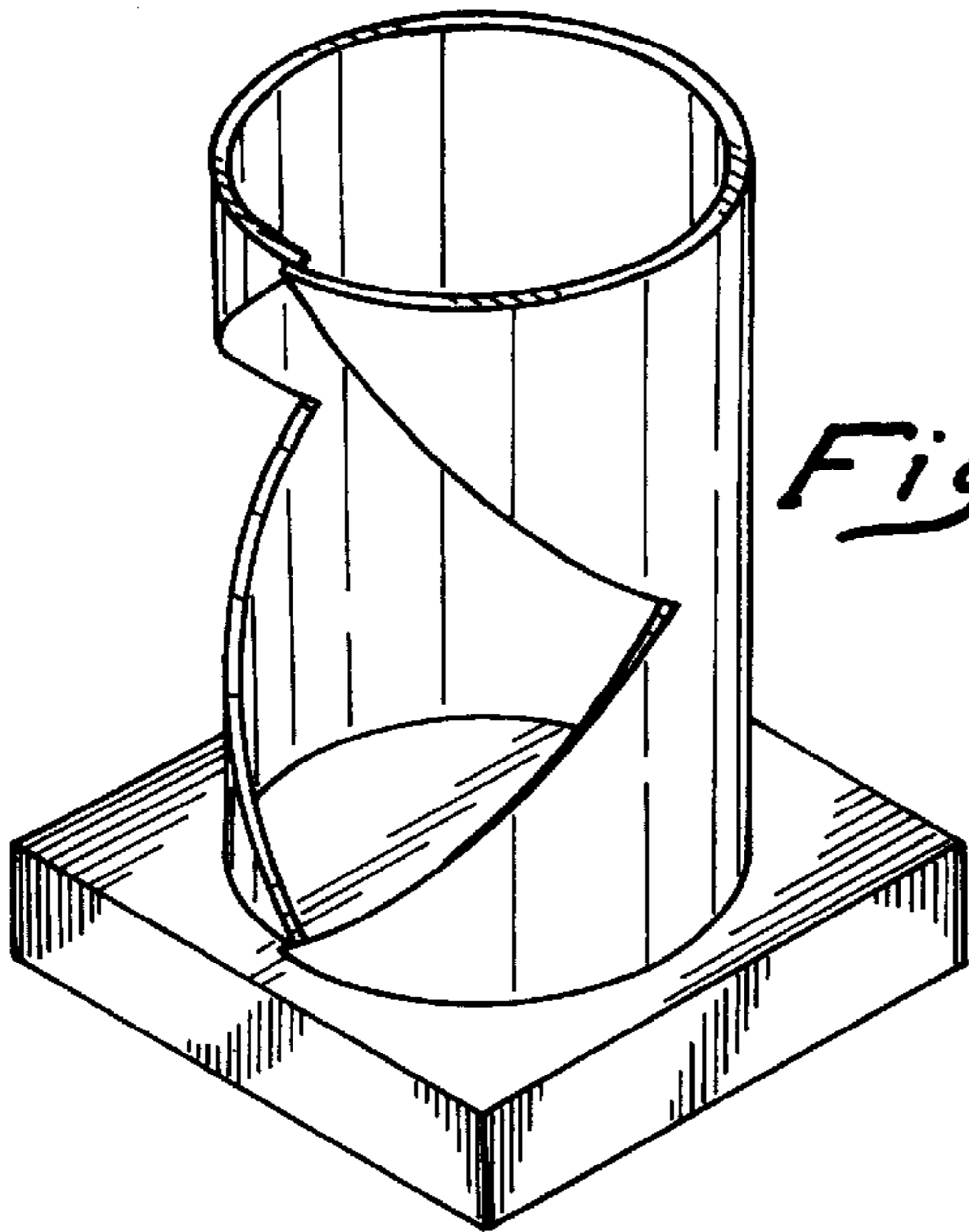
The ornamental design for a candle holder, as shown and described.

**DESCRIPTION**

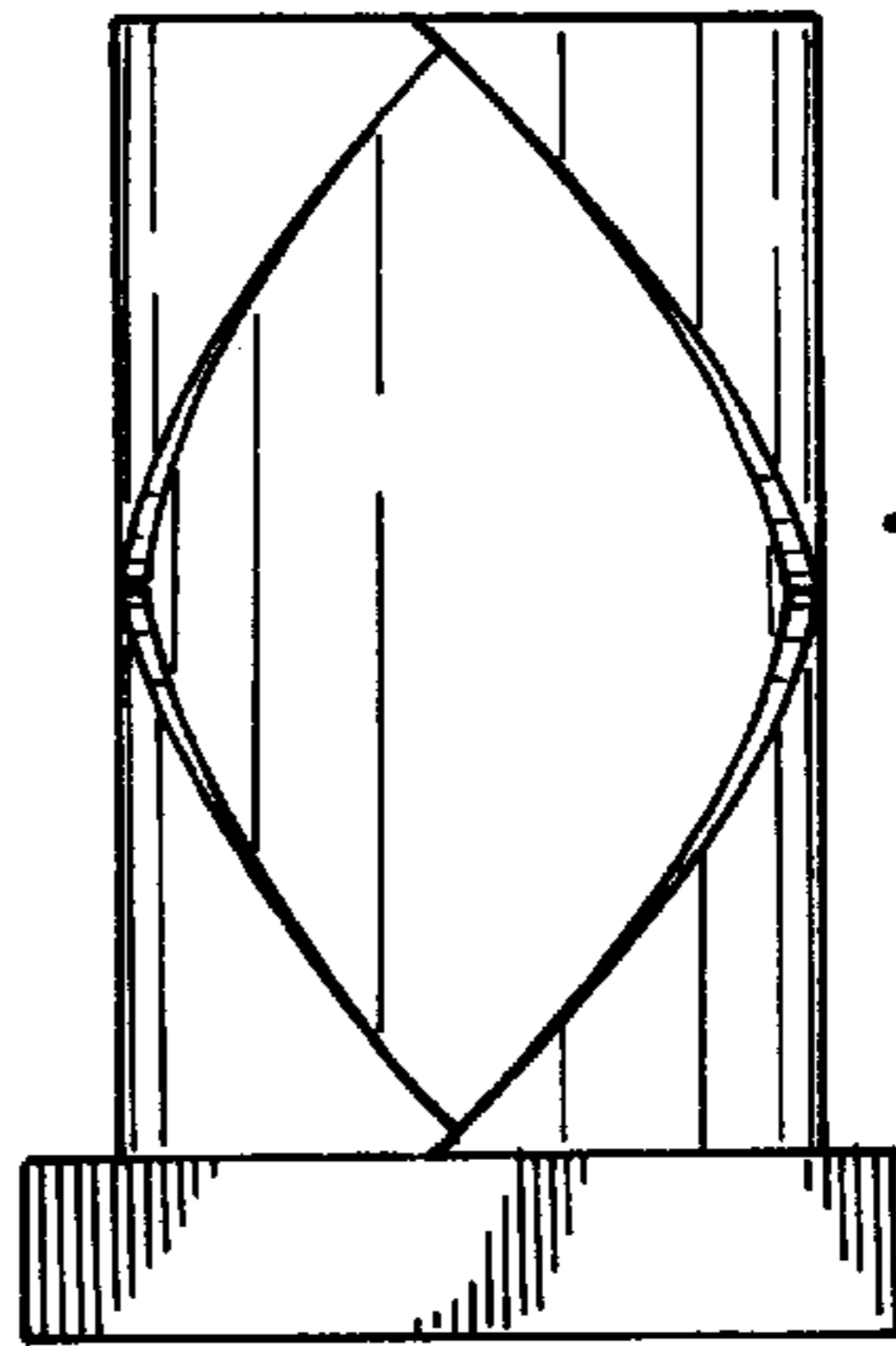
FIG. 1 is a perspective view of the candle holder, according to my new design;  
FIG. 2 is a front side view;  
FIG. 3 is a side elevation looking from right of FIG. 1;  
FIG. 4 is a top plan view;  
FIG. 5 is a side elevation looking from left of FIG. 1  
FIG. 6 is a rear side view; and,  
FIG. 7 is a bottom plan view of the candle holder.

**1 Claim, 1 Drawing Sheet**

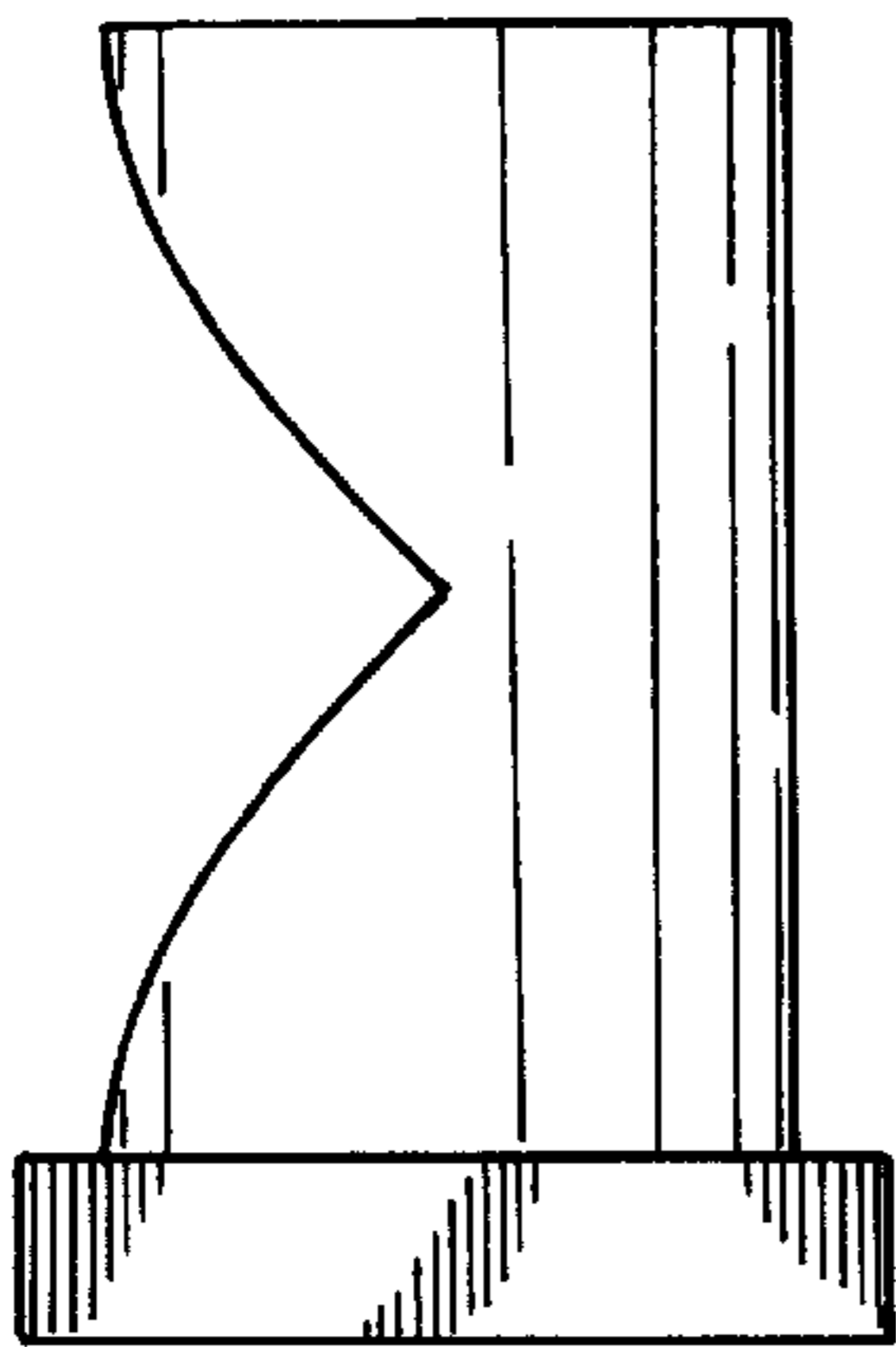




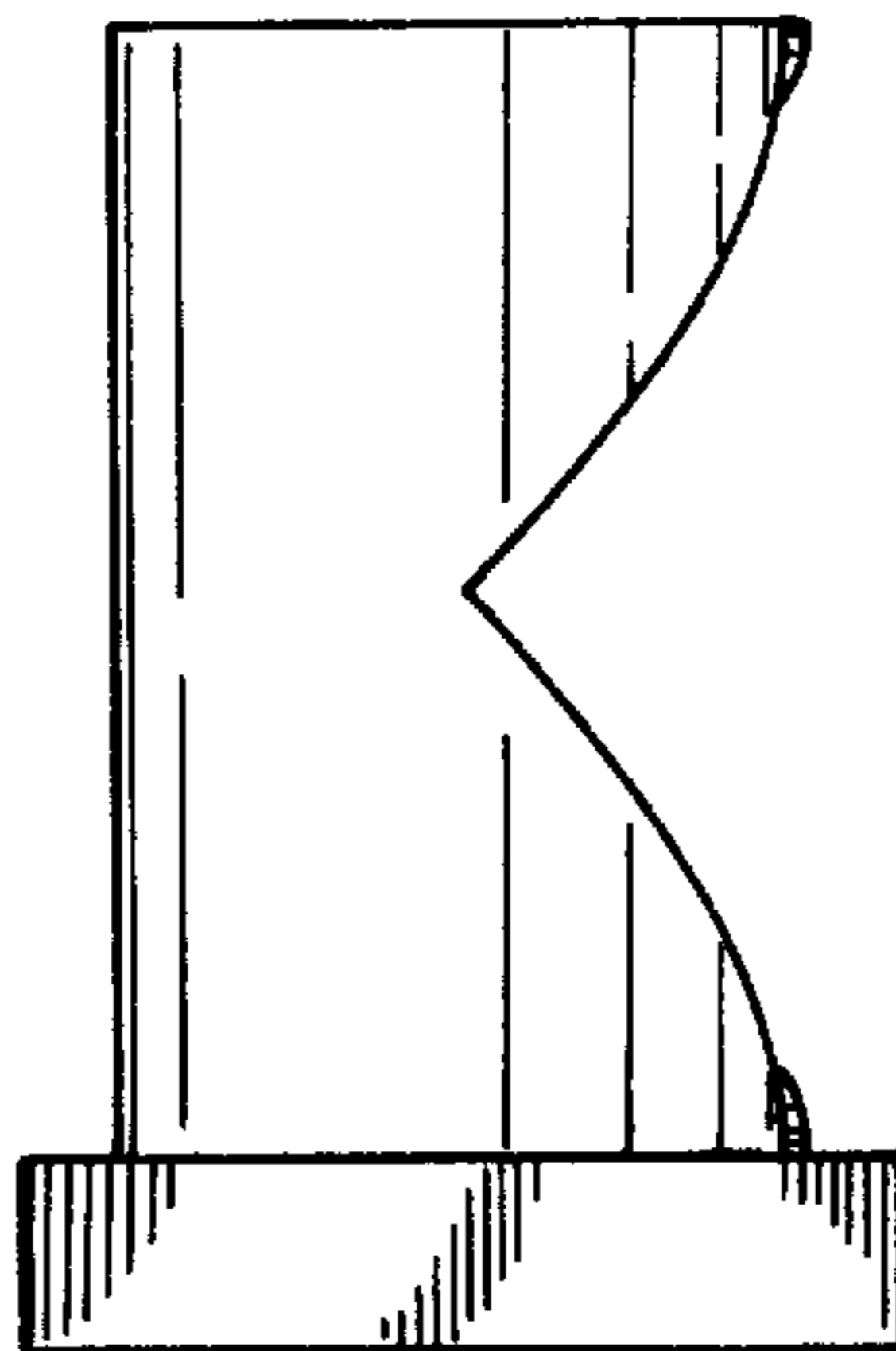
*Fig. 1*



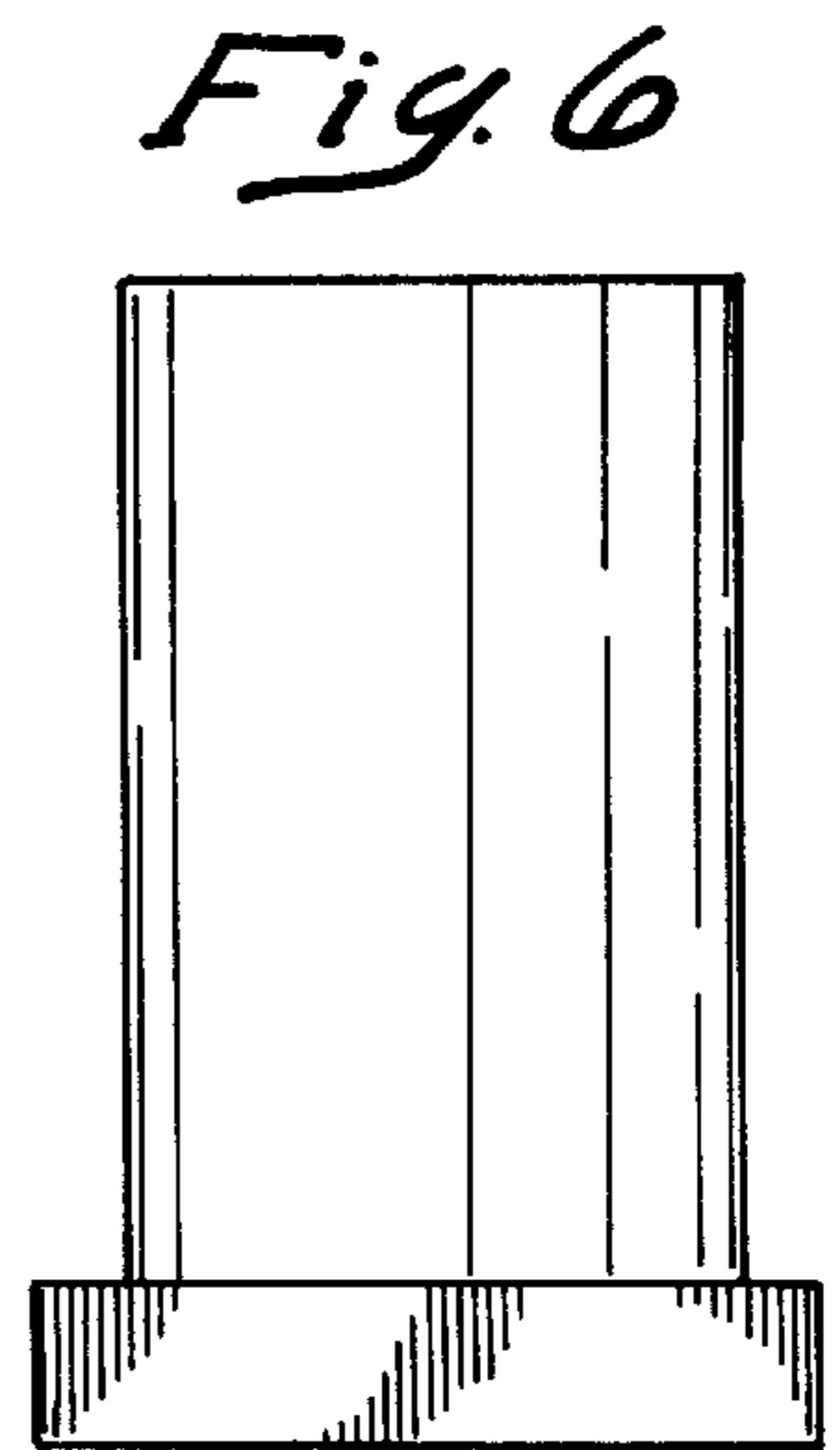
*Fig. 2*



*Fig. 3*

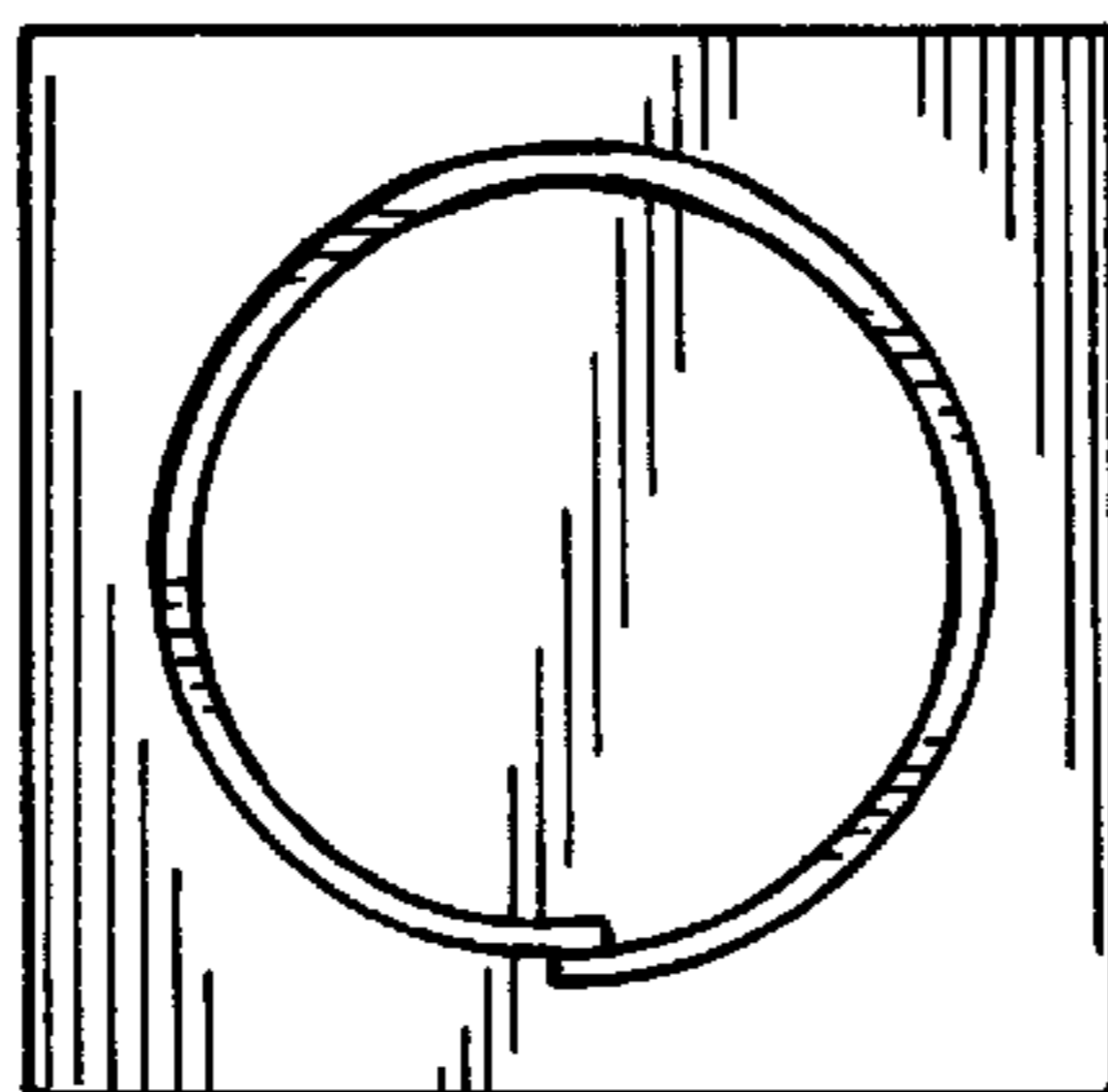


*Fig. 5*



*Fig. 6*

*Fig. 4*



*Fig. 7*

