



US00D416332S

United States Patent [19] Griggs

[11] **Patent Number: Des. 416,332**

[45] **Date of Patent: ** Nov. 9, 1999**

[54] **GRILLE BLOCK**

[76] Inventor: **Charles H. Griggs**, 4708 Pine Harrier Dr., Sarasota, Fla. 34231-3359

[**] Term: **14 Years**

[21] Appl. No.: **29/097,760**

[22] Filed: **Dec. 14, 1998**

[51] **LOC (6) Cl. 25-01**

[52] **U.S. Cl. D25/113**

[58] **Field of Search D25/113, 115-117; D21/484, 485, 494, 503; 52/311.3, 564, 596, 603-609, 612, 575; 404/40, 34, 42, 15, 37, 39; 405/16, 272, 275, 277**

3,047,984 8/1962 De Lauro 52/604
 3,757,430 9/1973 MacBride D21/503
 5,191,744 3/1993 Bowes 52/564
 5,222,342 6/1993 Defferrari 52/575

Primary Examiner—Ruth McInroy
Assistant Examiner—Robert A. Delehanty

[57] CLAIM

The ornamental design for a grille block, as shown and described.

DESCRIPTION

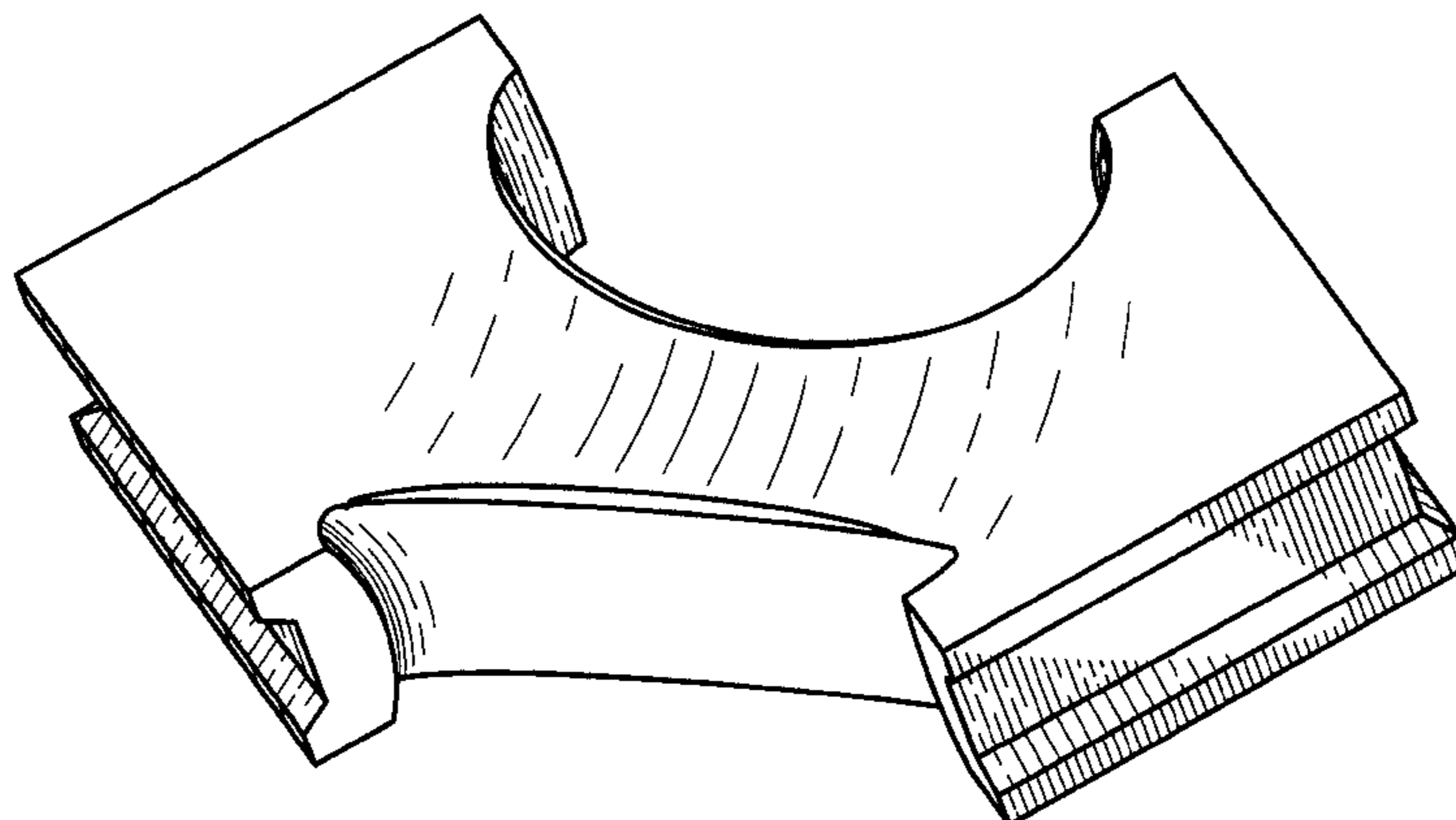
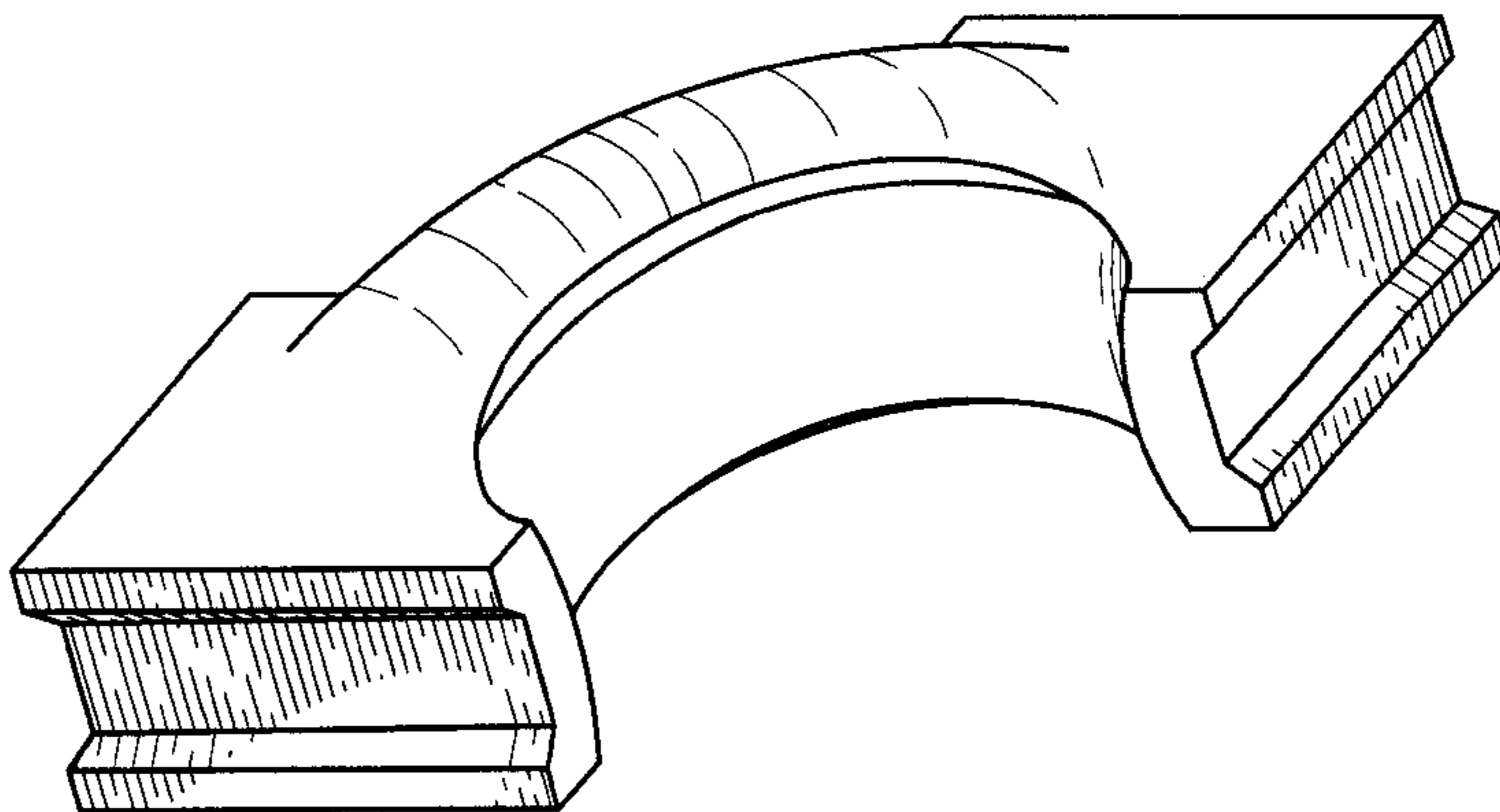
FIG. 1 is a side elevation view of a grille block, it being understood therefor that the opposite side is identical; and, FIG. 2 is a left end elevation view thereof, the other end being identical thereof; FIG. 3 is a right end elevation view thereof, the other end being identical thereof; FIG. 4 is a bottom plan view thereof; FIG. 5 is a top plan view thereof; FIG. 6 is a top perspective view thereof; and, FIG. 7 is a bottom perspective view.

[56] References Cited

U.S. PATENT DOCUMENTS

D. 259,762	7/1981	Sabin	D21/505
645,800	3/1900	Furness	52/311.3
695,621	3/1902	Moyle	52/311.3
695,647	3/1902	Moyle	52/311.3
779,636	1/1905	Dickey et al.	52/311.3
2,208,080	7/1940	Overdorff	404/15

1 Claim, 3 Drawing Sheets



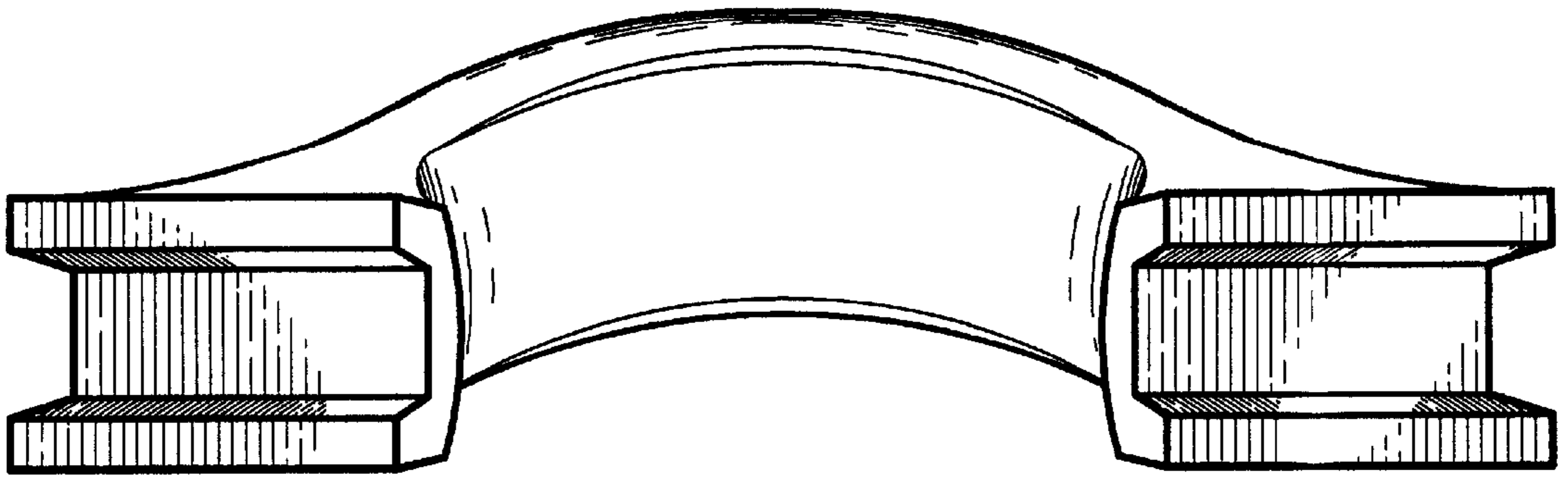


Fig. 1

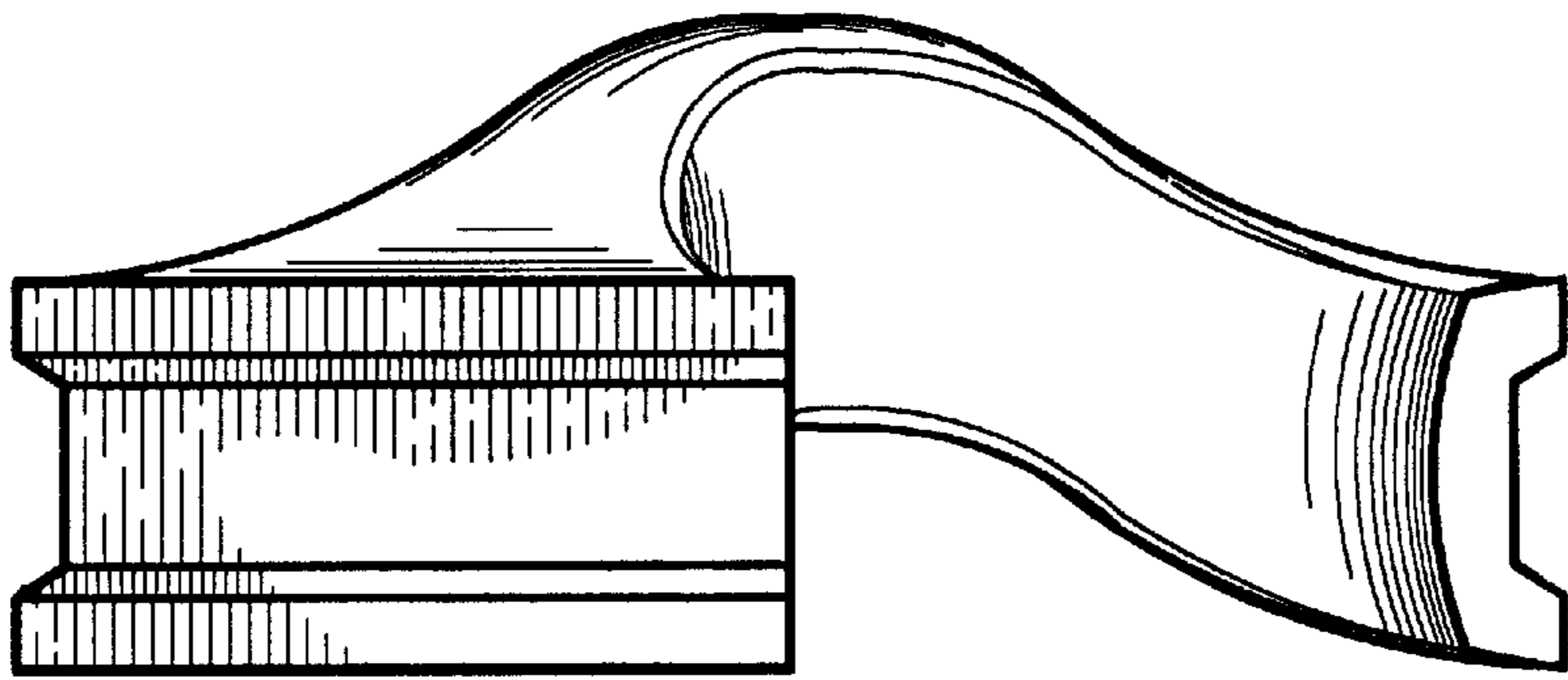


Fig. 2

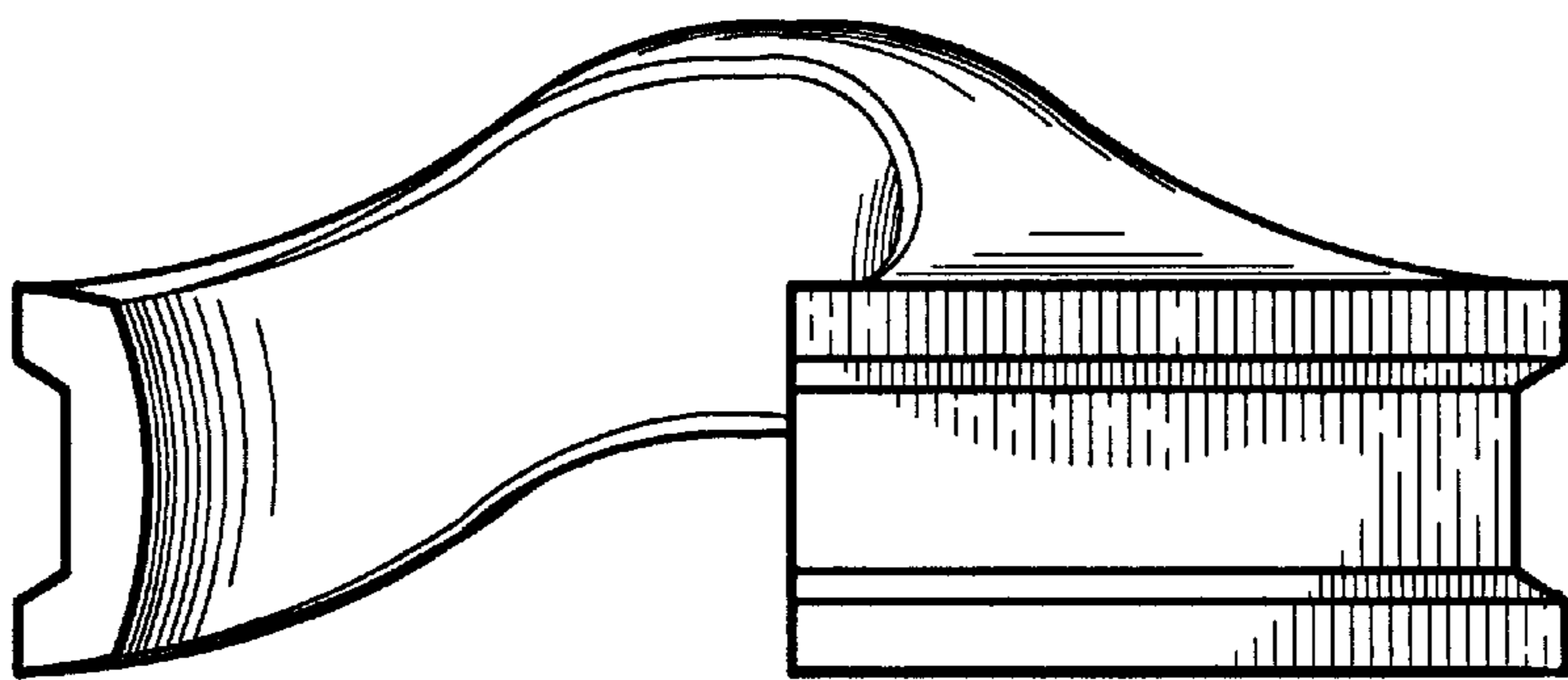


Fig. 3

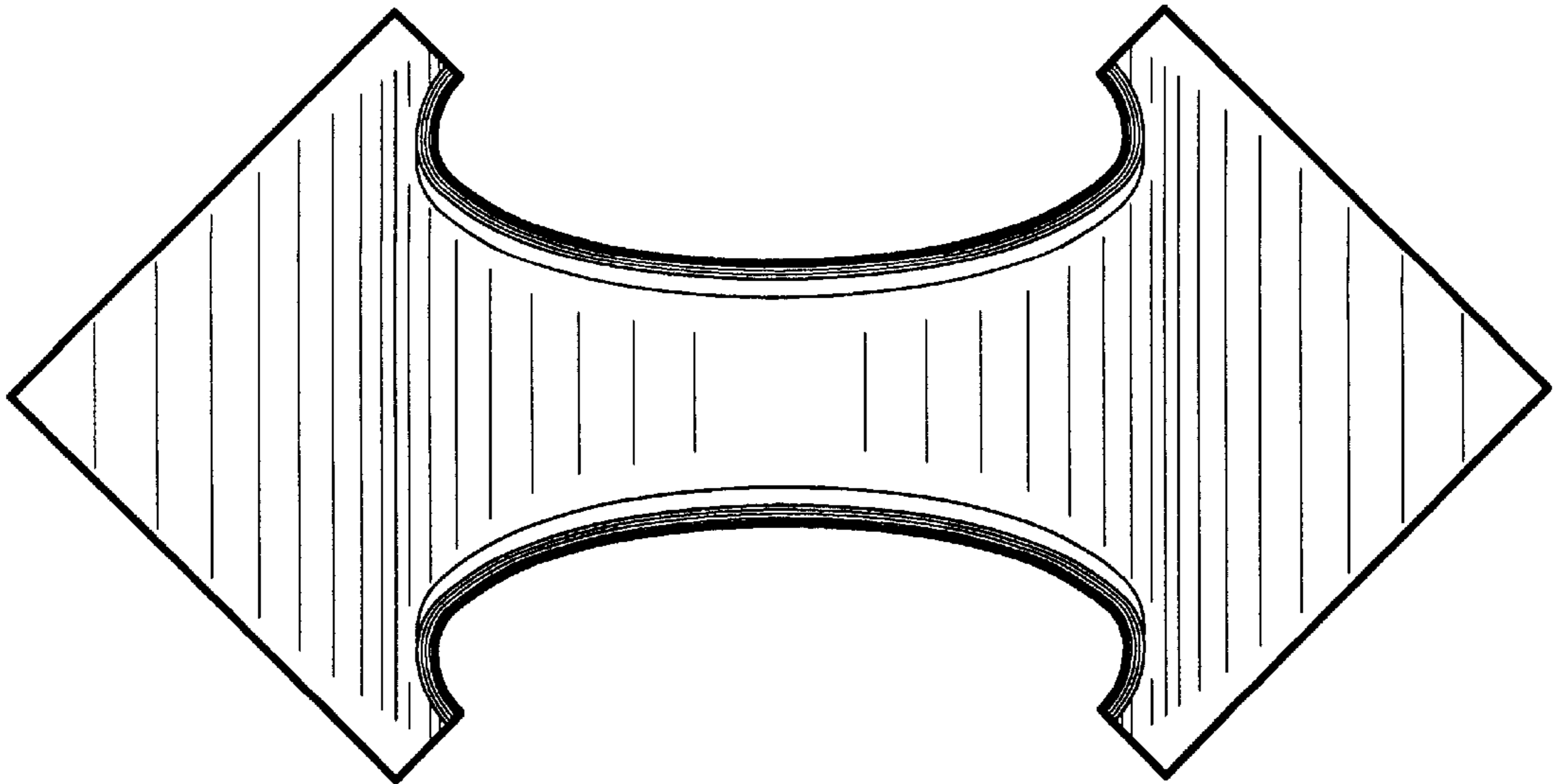


Fig. 4

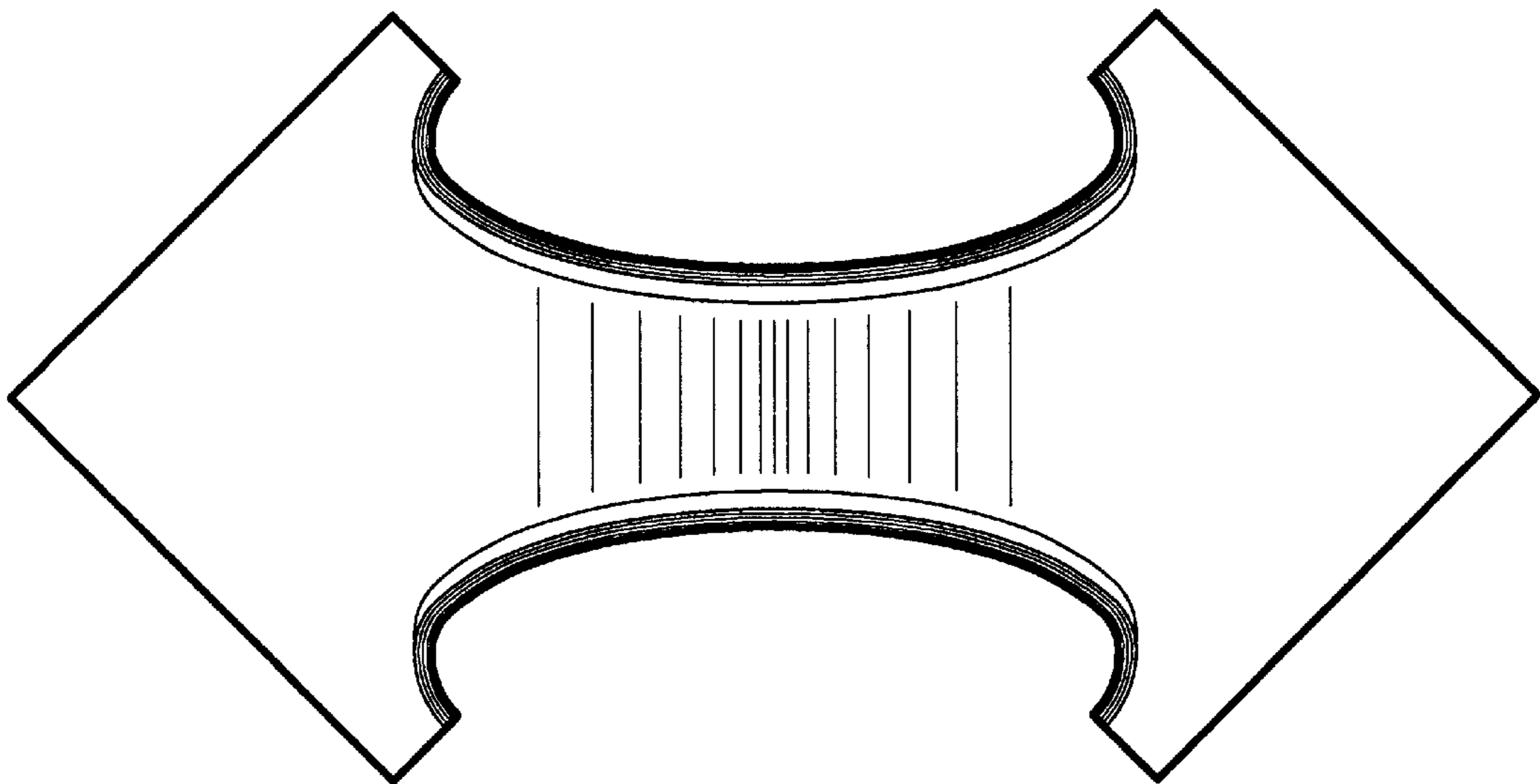


Fig. 5

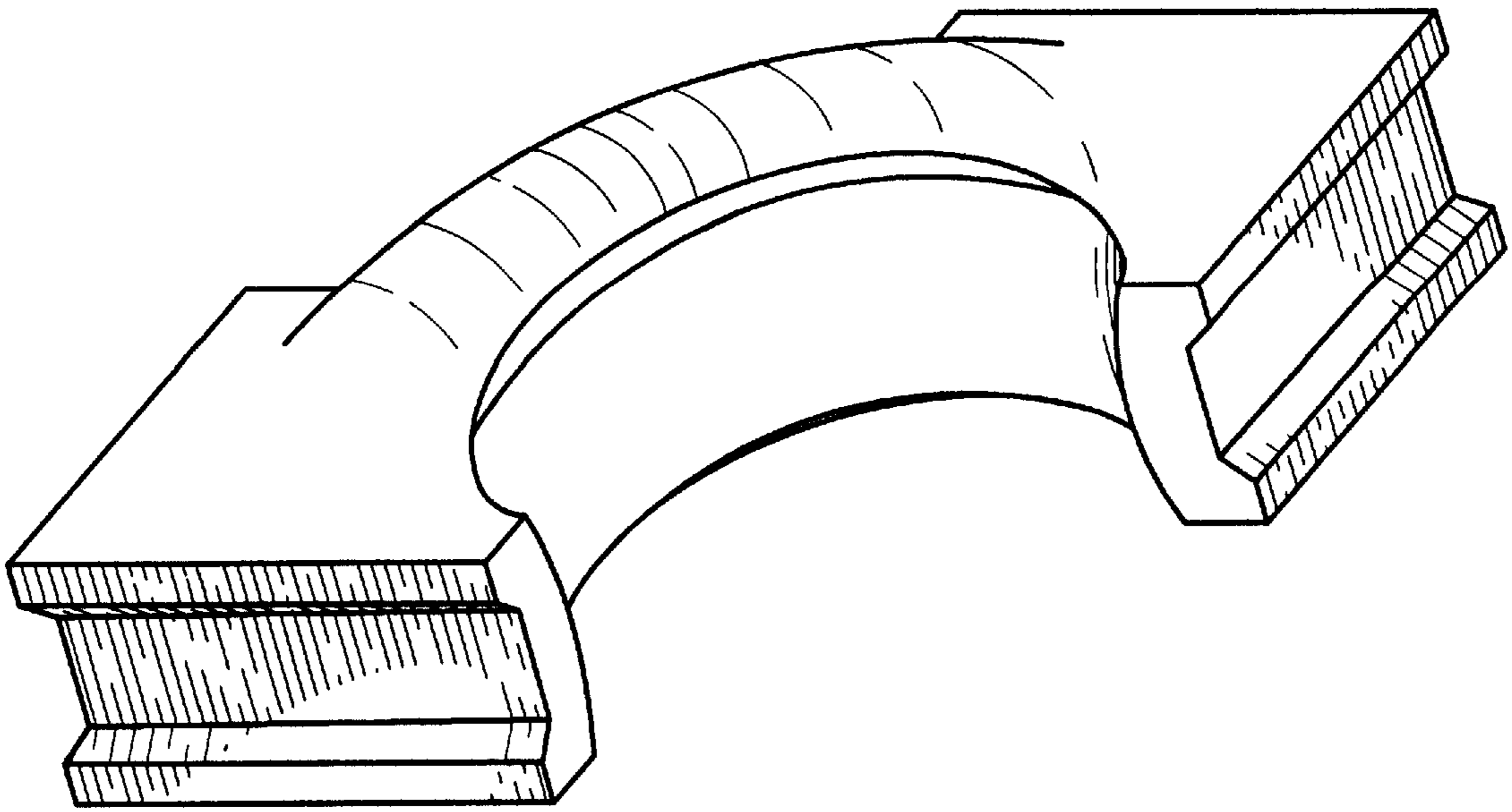


Fig. 6

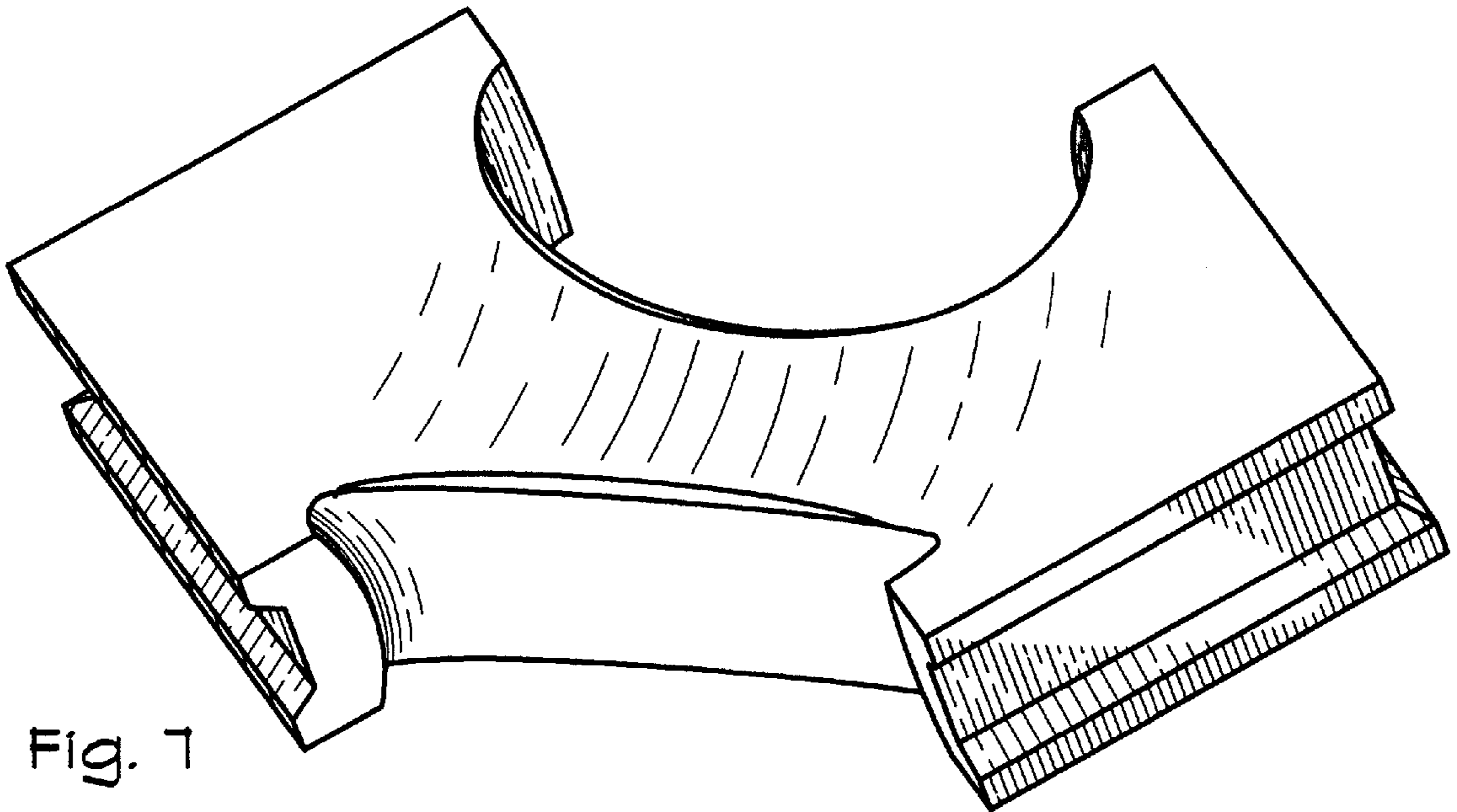


Fig. 7