



US00D416330S

# United States Patent [19] Brown

[11] Patent Number: **Des. 416,330**

[45] Date of Patent: **\*\* Nov. 9, 1999**

[54] **MULTIWELL FLUID CONTAINER FOR MICROBIOLOGICAL TESTING**

[75] Inventor: **Laurence A. Brown**, Canton, Mass.

[73] Assignee: **Bel-Art Products, Inc.**, Pequannock, N.J.

[\*\*] Term: **14 Years**

[21] Appl. No.: **29/078,330**

[22] Filed: **Oct. 21, 1997**

[51] **LOC (6) Cl.** ..... **24-02**

[52] **U.S. Cl.** ..... **D24/224; D24/227; D24/229**

[58] **Field of Search** ..... **D24/224, 226, 224/227, 230, 216; 422/102, 100, 63, 65, 64, 67**

[56] **References Cited**

**U.S. PATENT DOCUMENTS**

D. 237,315	10/1975	Nowakowski	.....	D24/226
D. 260,428	8/1981	Fekete	.....	D24/226
D. 367,932	3/1996	Lim	.....	D24/224 X
4,391,780	7/1983	Boris	.	
4,560,535	12/1985	Bouchee	.....	422/102
5,009,316	4/1991	Klein	.....	D24/224 X
5,308,584	5/1994	Vauramo	.	
5,316,732	5/1994	Golukhov et al.	.	
5,364,592	11/1994	Lewis et al.	.	
5,378,433	1/1995	Duckett et al.	.	
5,382,408	1/1995	Perlman	.	
5,398,827	3/1995	Armstrong et al.	.	
5,415,846	5/1995	Berry, Jr.	.	
5,417,923	5/1995	Bojanic et al.	.	
5,508,005	4/1996	Mathus	.	
5,571,479	11/1996	Koch	.	
5,603,899	2/1997	Franciskovich et al.	.	
5,646,004	7/1997	Van Vlasselaer	.	
5,650,125	7/1997	Basanquet	.....	422/102

5,665,558 9/1997 Frame et al. .... 422/102

*Primary Examiner*—Stella Reid

*Assistant Examiner*—I Simmons

*Attorney, Agent, or Firm*—Lawrence G. Fridman

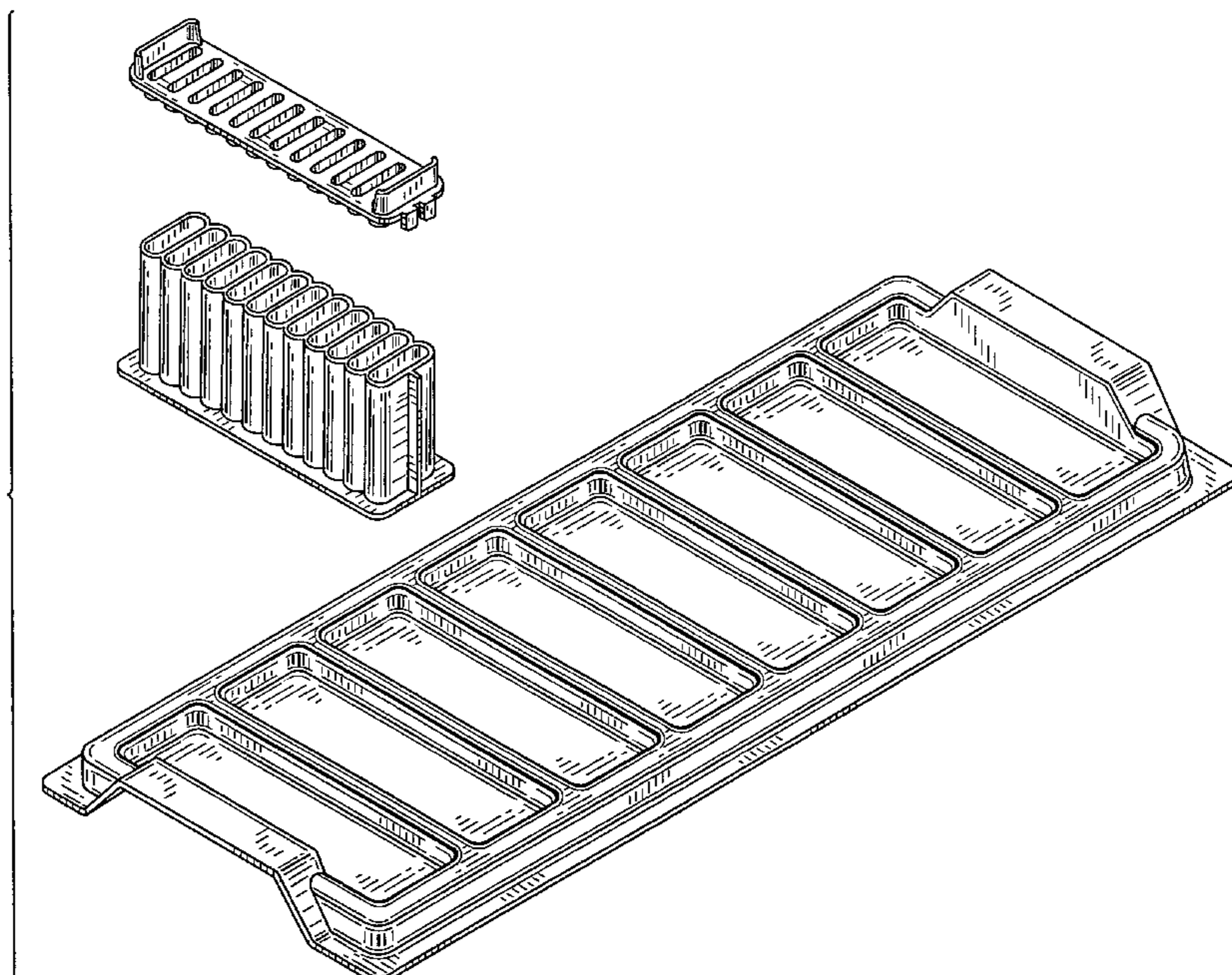
[57] **CLAIM**

The ornamental design for a multiwell fluid container for microbiological testing, as shown and described.

**DESCRIPTION**

FIG. 1 is an exploded perspective view showing a multiwell fluid container assembly of my invention;  
 FIG. 2 is a top plan view of a multifluid container;  
 FIG. 3 is a front elevational view thereof (a rear elevational view is a mirror image of FIG. 3);  
 FIG. 4 is a right-hand side elevational view thereof;  
 FIG. 5 is a left-hand side elevational view thereof;  
 FIG. 6 is a bottom plan view thereof;  
 FIG. 7 is a perspective operational view thereof;  
 FIG. 8 is a partial cross-sectional view according to section line 8—8 of FIG. 2;  
 FIG. 9 is a front elevational view of the cover used with the container (a rear elevational view is a mirror image of FIG. 9);  
 FIG. 10 is a top plan view thereof;  
 FIG. 11 is a bottom plan view thereof;  
 FIG. 12 is a right-hand side elevational view thereof;  
 FIG. 13 is a left-hand side elevational view thereof;  
 FIG. 14 is a front elevational view of a tray of the assembly (a rear elevational view is a mirror image of FIG. 14);  
 FIG. 15 is a top plan view thereof;  
 FIG. 16 is a right-hand side elevational view thereof (a left-hand side elevational view is a mirror-image of FIG. 16);  
 FIG. 17 is a bottom plan view thereof; and,  
 FIG. 18 is a perspective view showing the multiwell fluid container unit in an assembled condition.

**1 Claim, 6 Drawing Sheets**



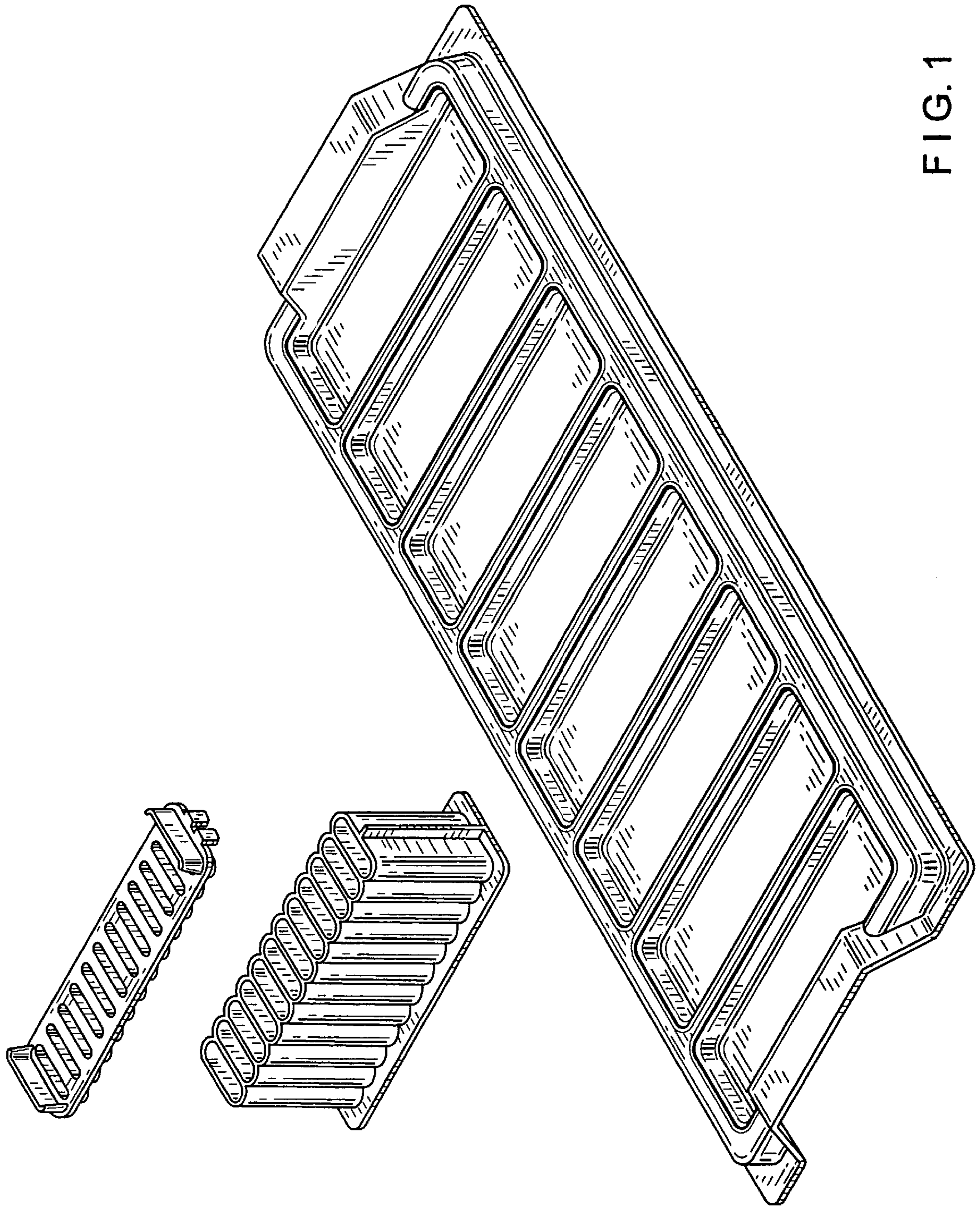


FIG. 1

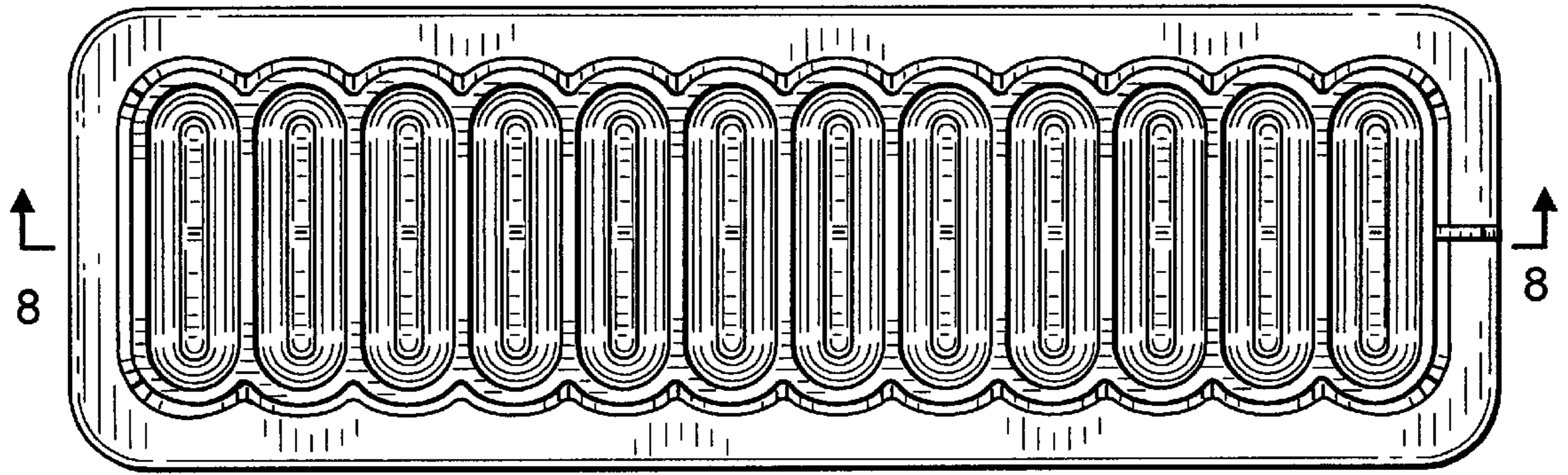


FIG. 2

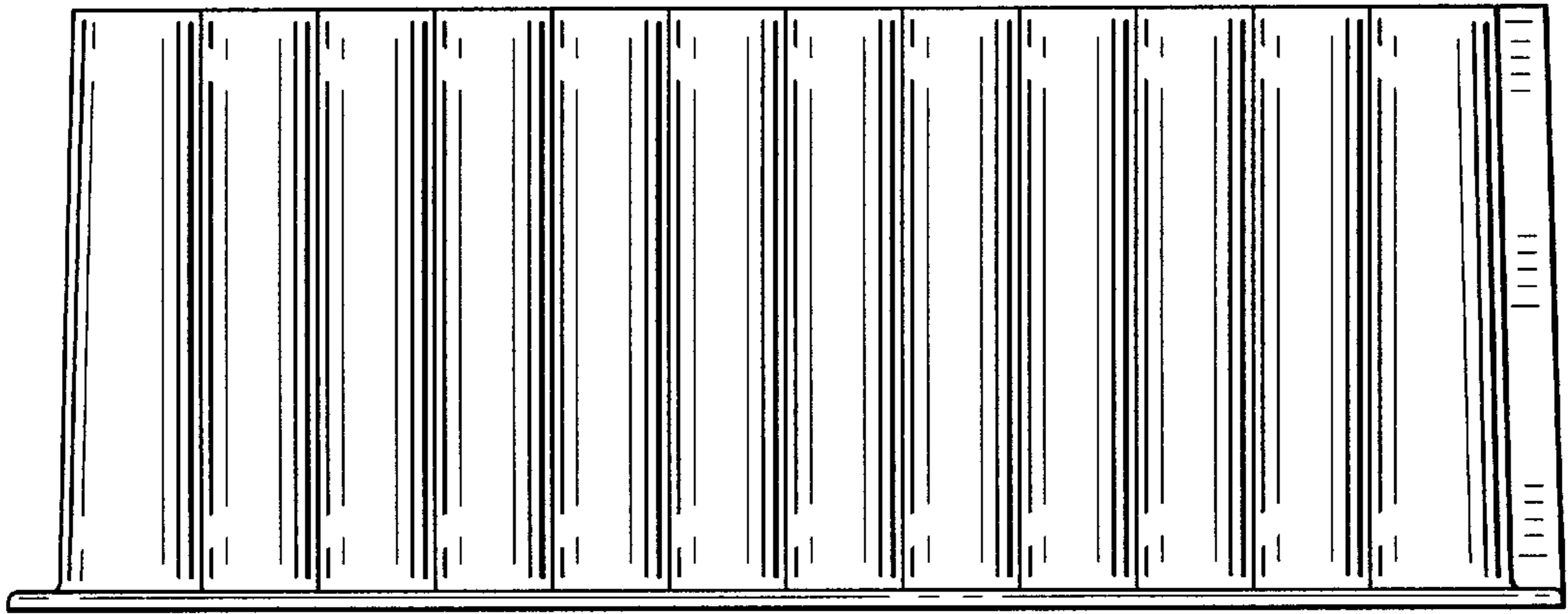


FIG. 3

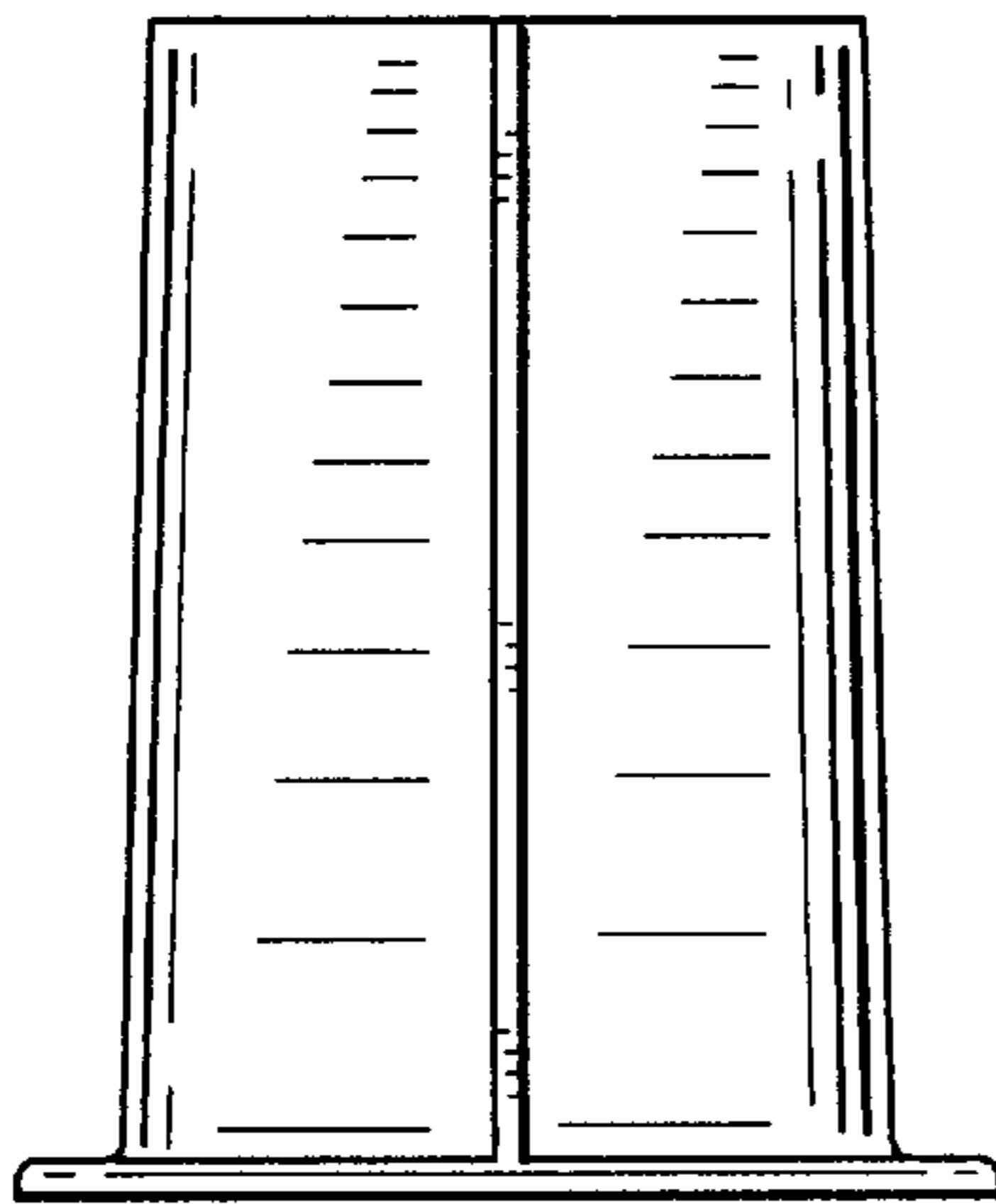


FIG. 4

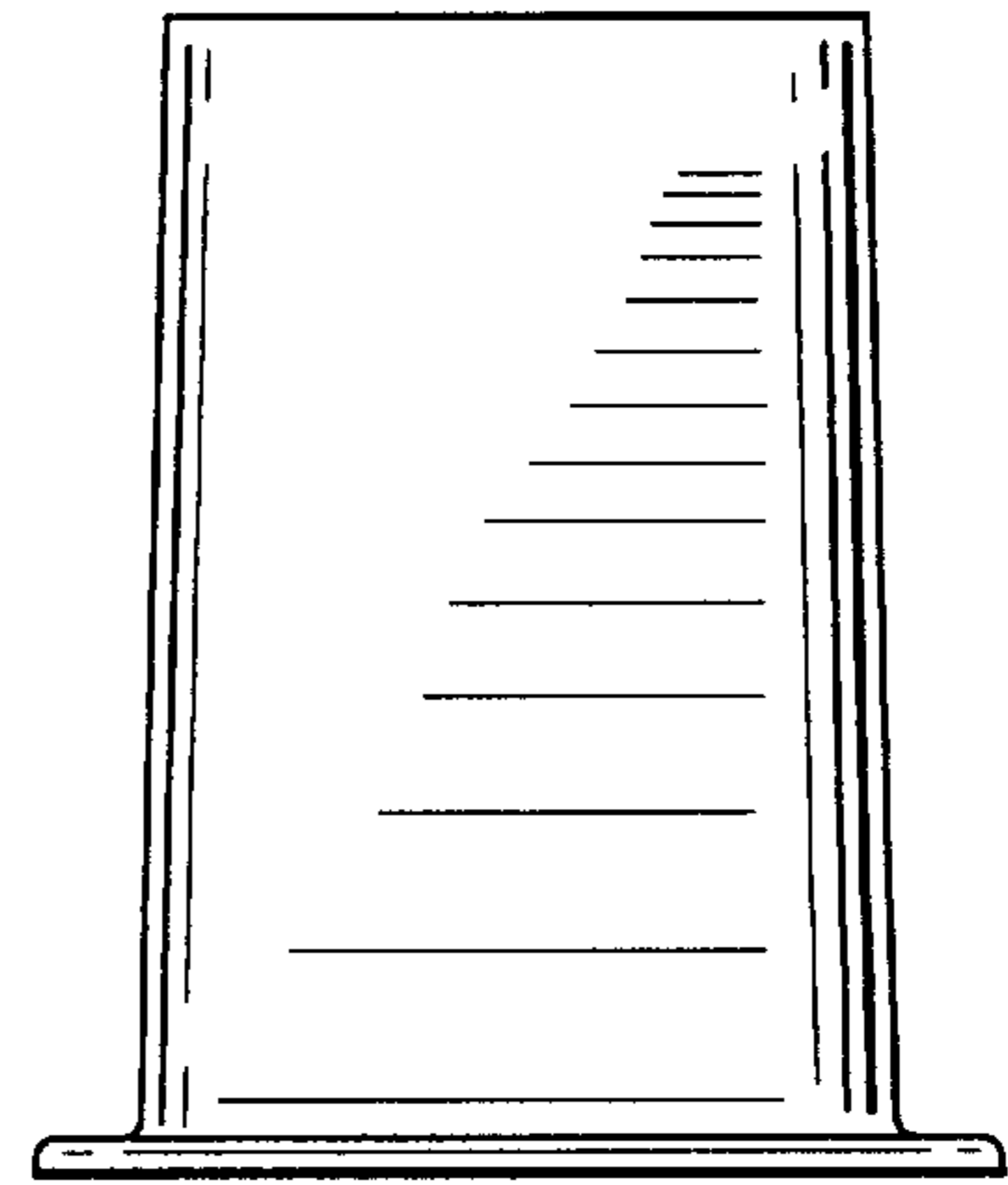


FIG. 5

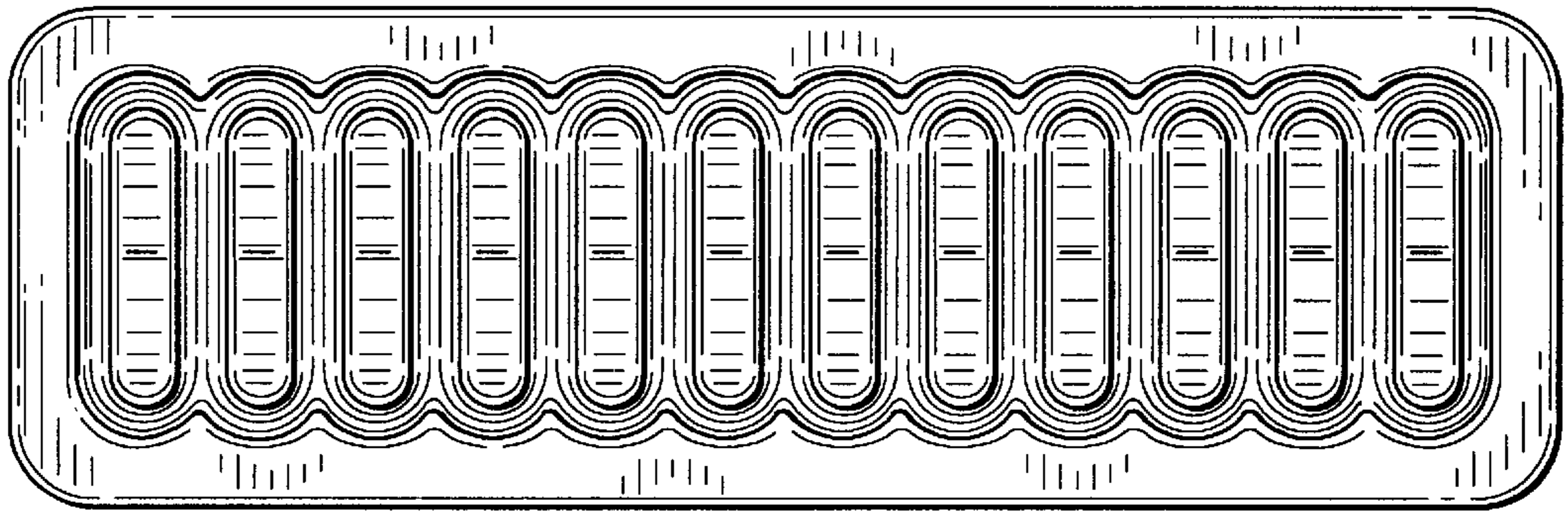


FIG. 6

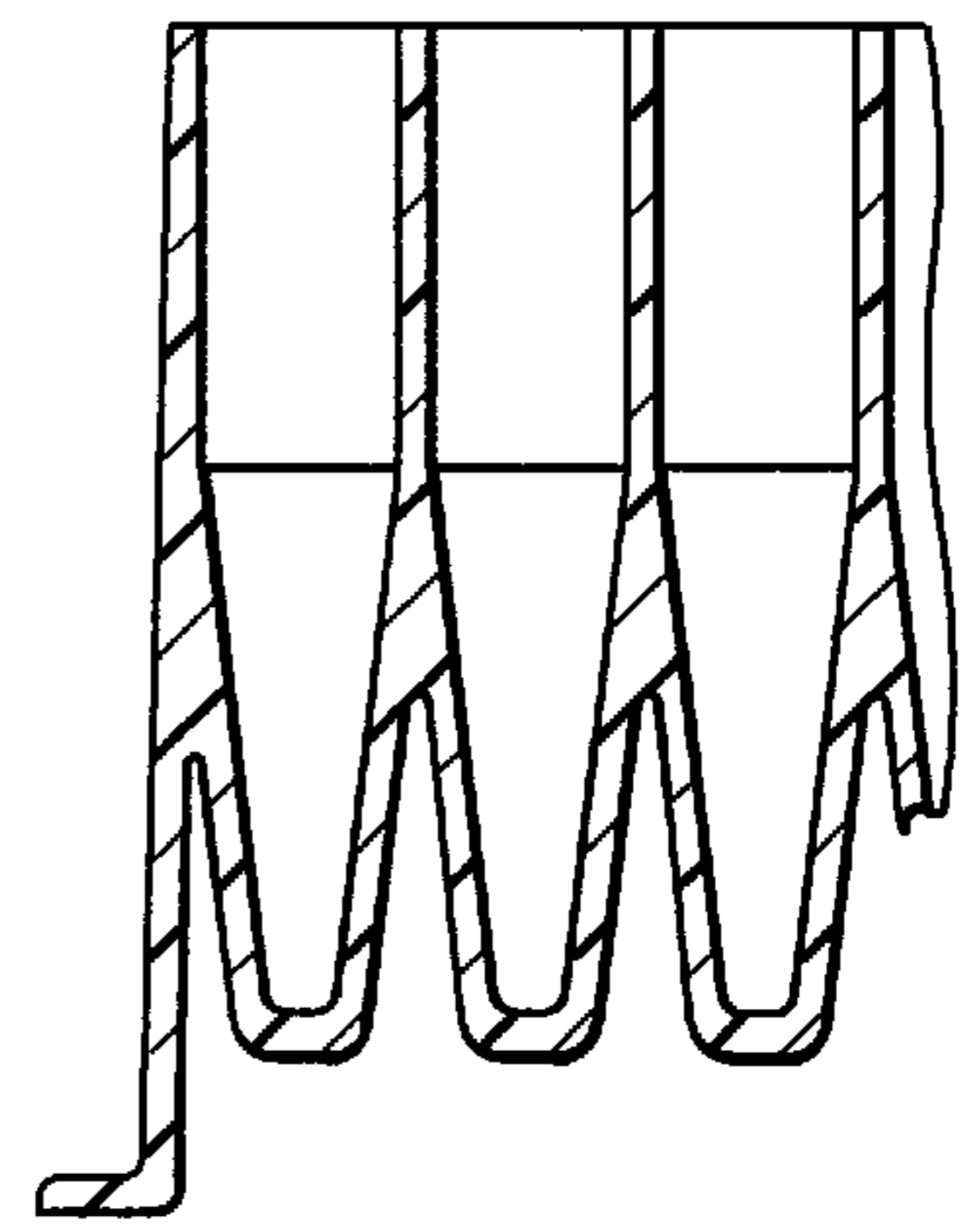


FIG. 8

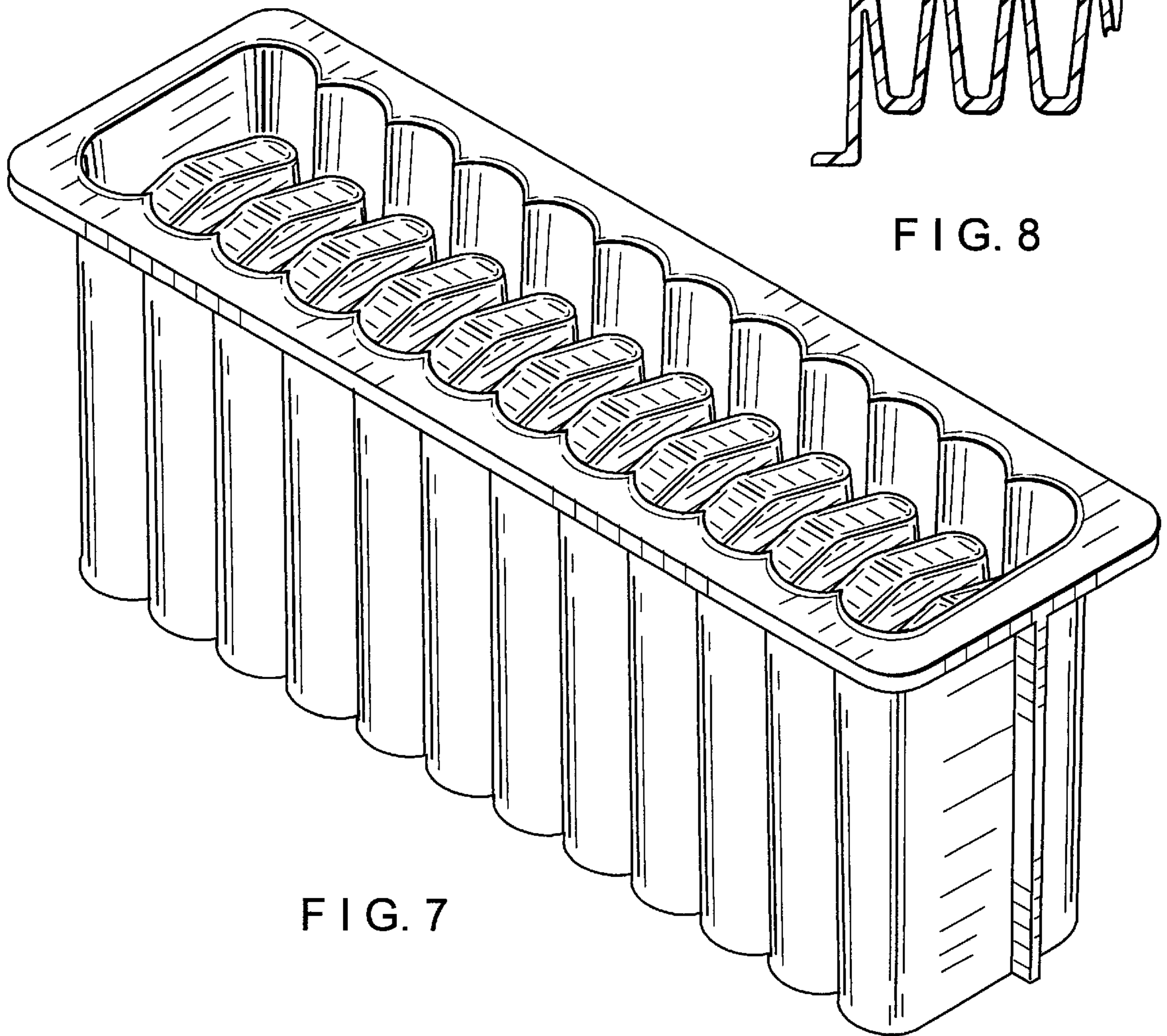


FIG. 7



FIG. 9

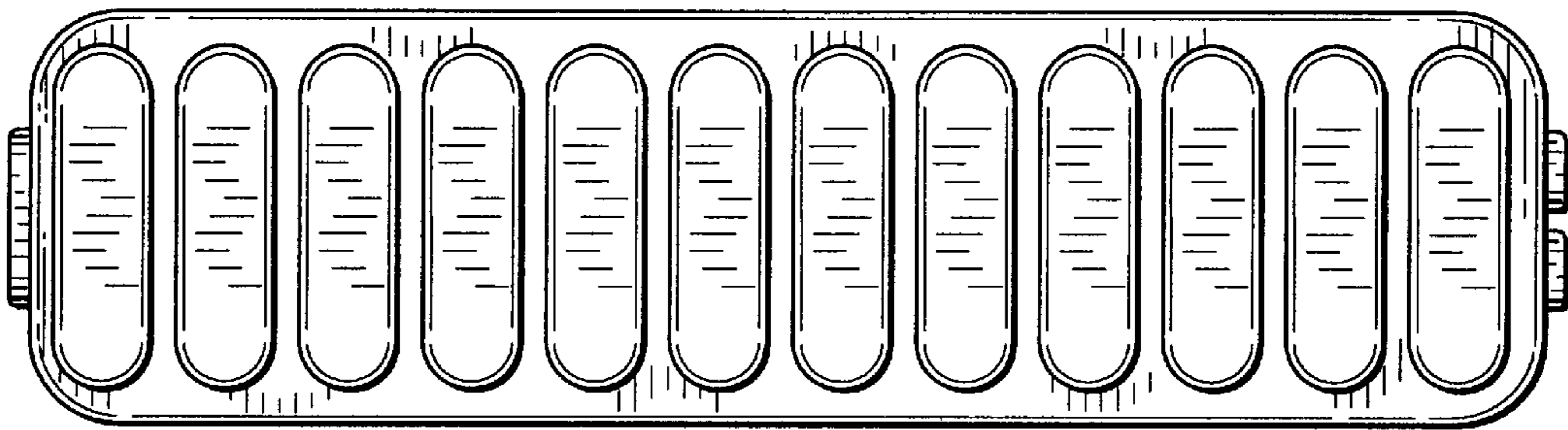


FIG. 10

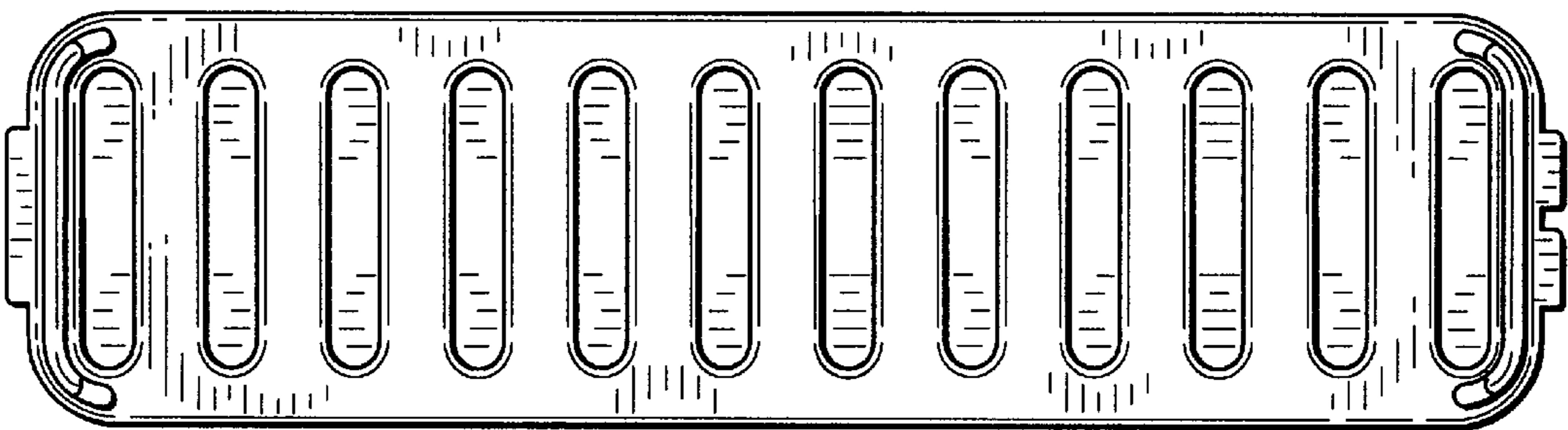


FIG. 11

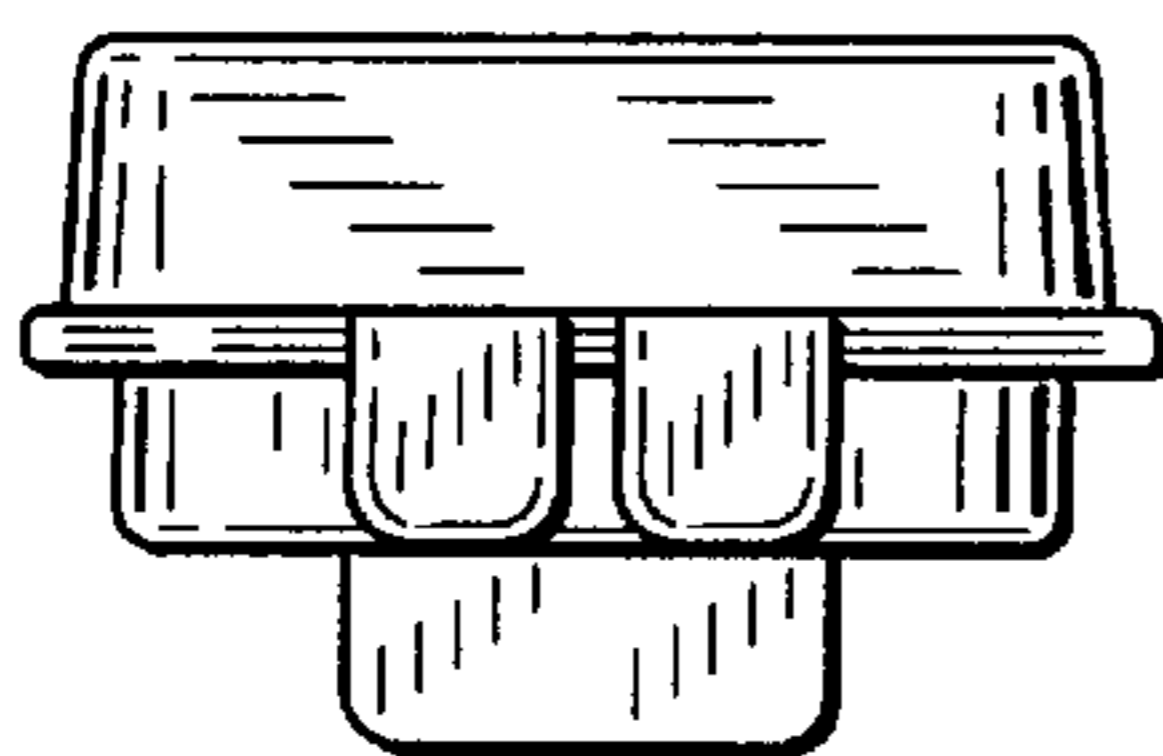


FIG. 12

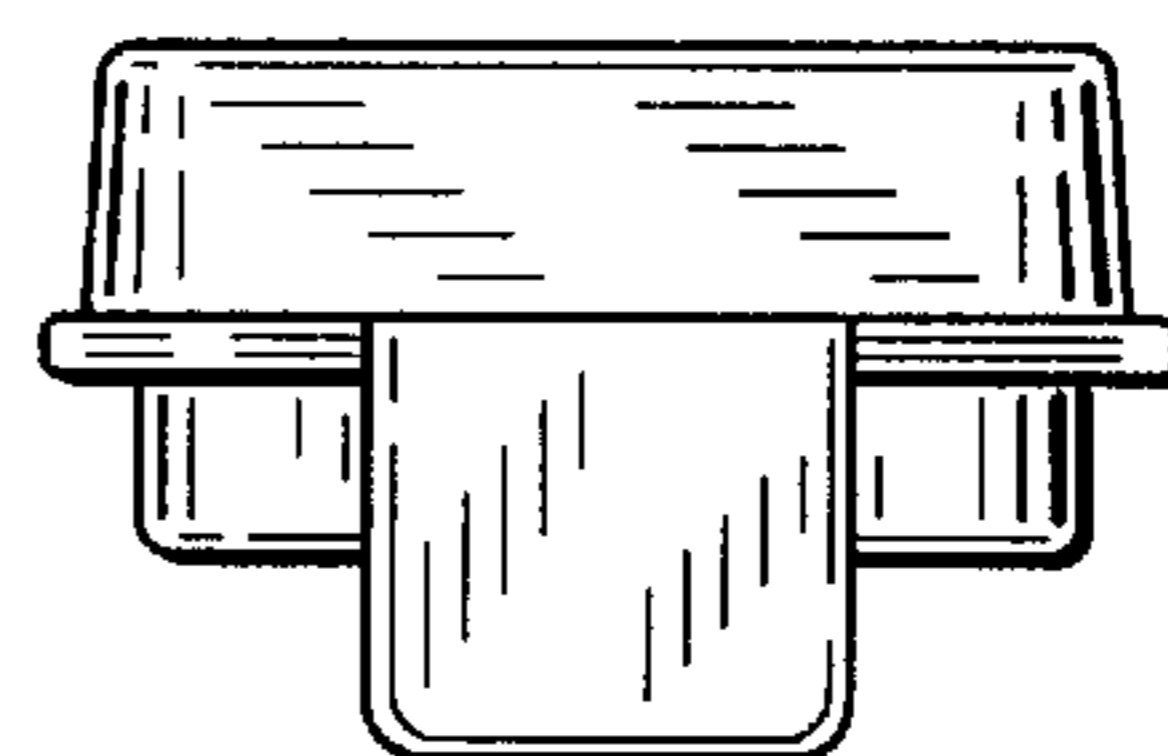


FIG. 13

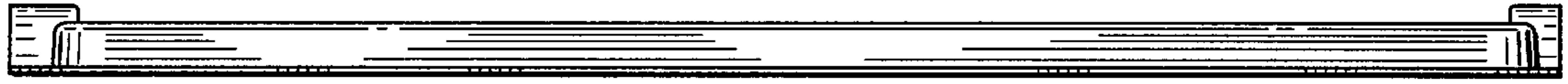


FIG. 14

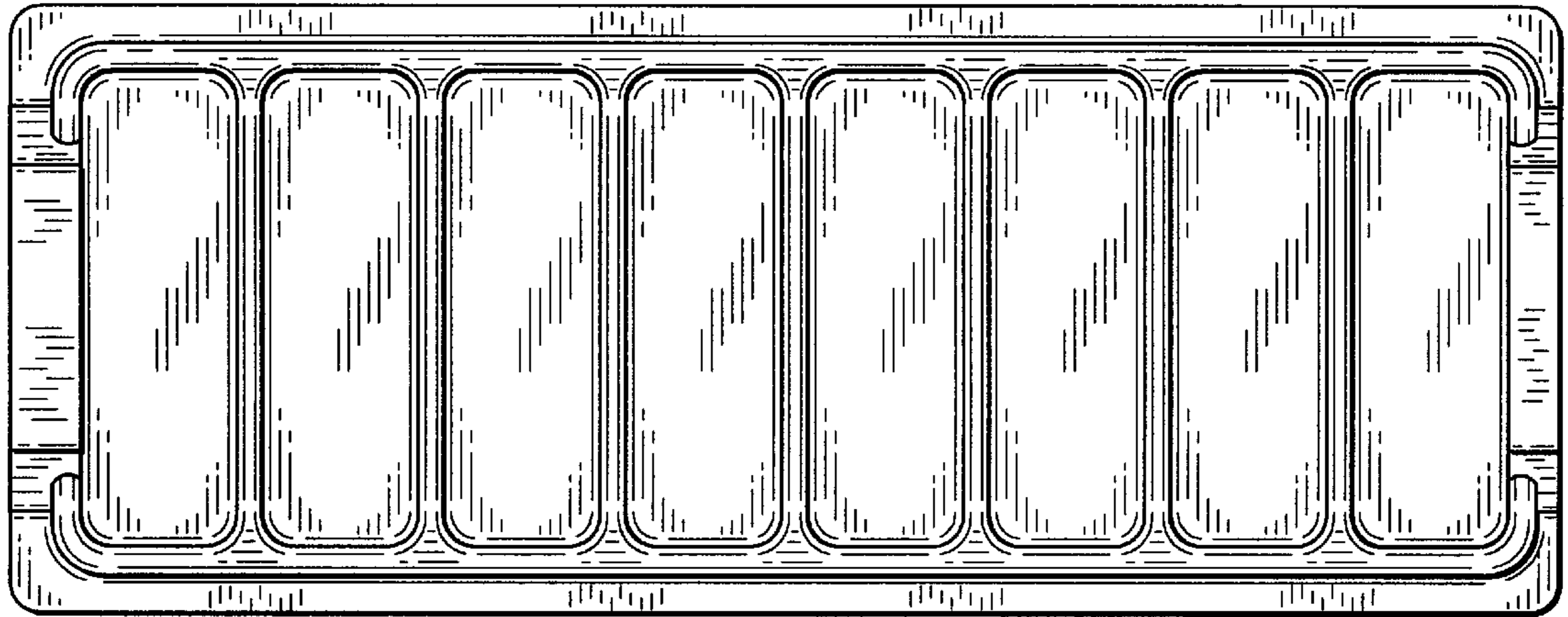


FIG. 15

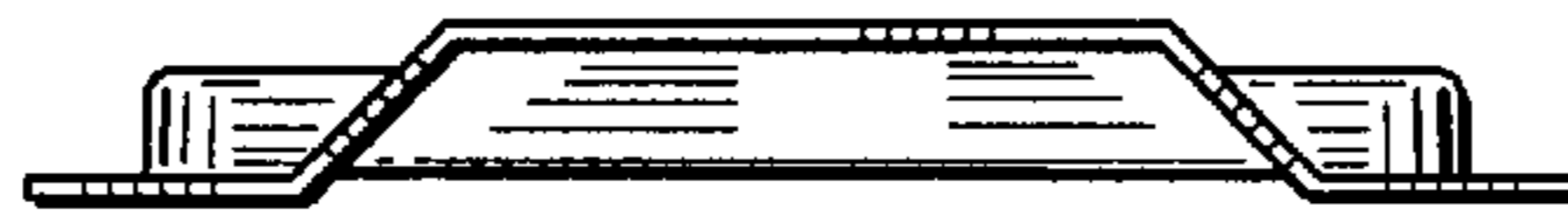


FIG. 16

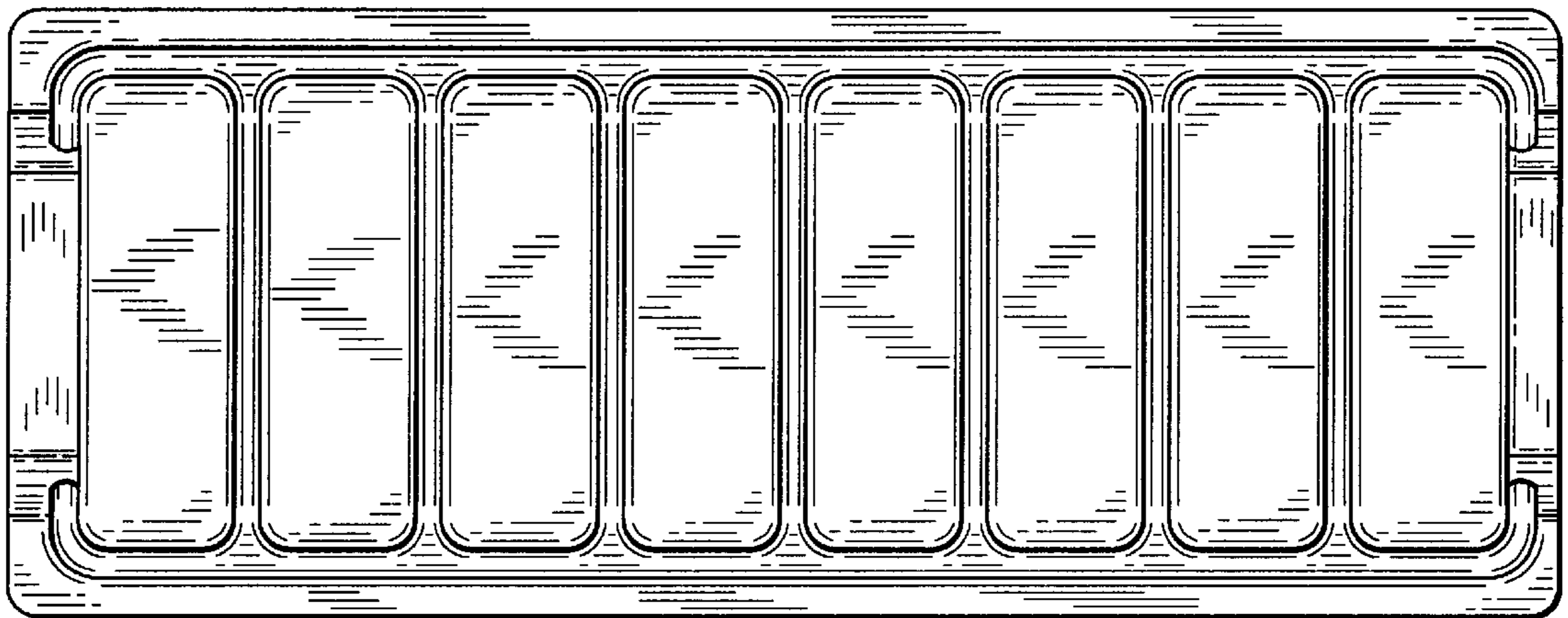


FIG. 17

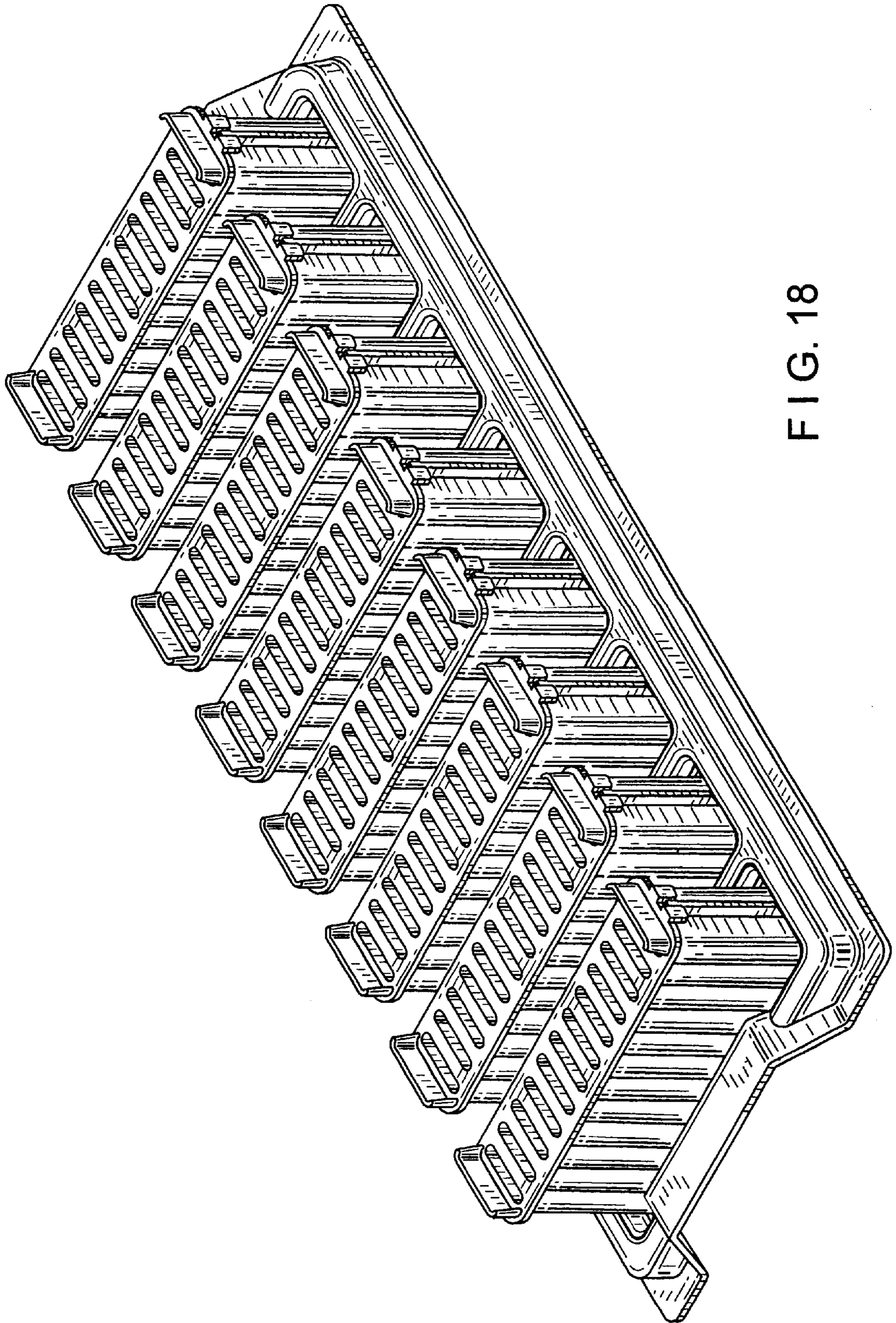


FIG. 18