



US00D416327S

United States Patent [19] Kugel

[11] **Patent Number: Des. 416,327**

[45] **Date of Patent: ** Nov. 9, 1999**

[54] **HERNIA PATCH**

[75] Inventor: **Robert D. Kugel**, Olympia, Wash.

[73] Assignee: **Surgical Sense, Inc.**, Arlington, Tex.

[**] Term: **14 Years**

[21] Appl. No.: **29/085,507**

[22] Filed: **Mar. 25, 1998**

Related U.S. Application Data

[63] Continuation-in-part of application No. 08/755,108, Nov. 22, 1996, which is a continuation-in-part of application No. 08/315,249, Sep. 29, 1994, Pat. No. 5,634,931.

[51] **LOC (6) Cl.** **24-04**

[52] **U.S. Cl.** **D24/189**

[58] **Field of Search** D24/189; 606/151, 606/213; 602/44, 41, 57, 58; 128/888-894

[56] **References Cited**

U.S. PATENT DOCUMENTS

2,671,444	3/1954	Pease, Jr.	606/151
5,634,931	6/1997	Kugel	606/151
5,713,842	2/1998	Kay	602/57

Primary Examiner—Stella Reid

Attorney, Agent, or Firm—James E. Bradley

[57] **CLAIM**

The ornamental design for a hernia patch, as shown.

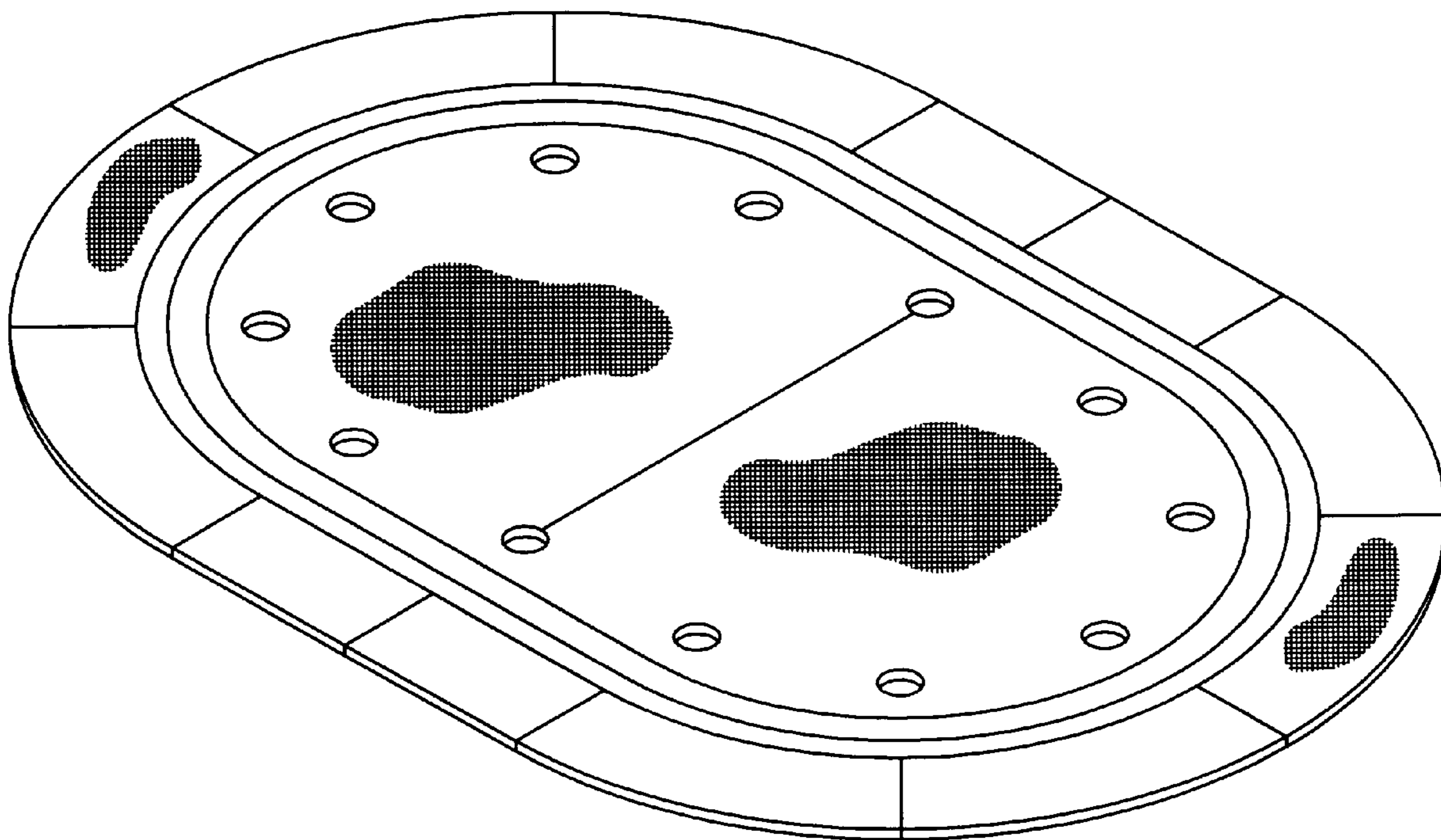
DESCRIPTION

FIG. 1 is a bottom view of a hernia patch, showing my new design; and,

FIG. 2 is a top isometric view thereof.

All side views appear as a straight line.

1 Claim, 1 Drawing Sheet



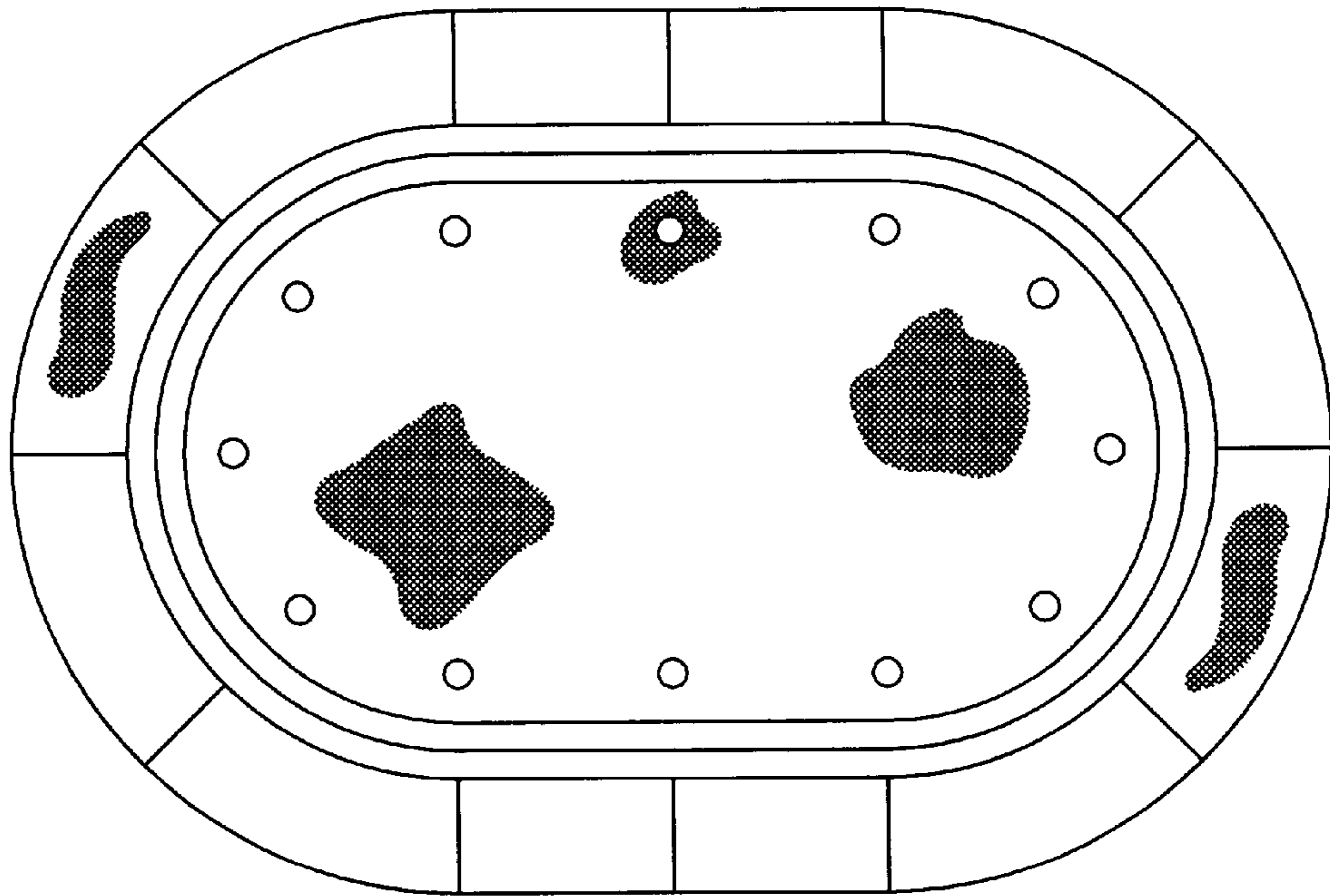


Fig. 1

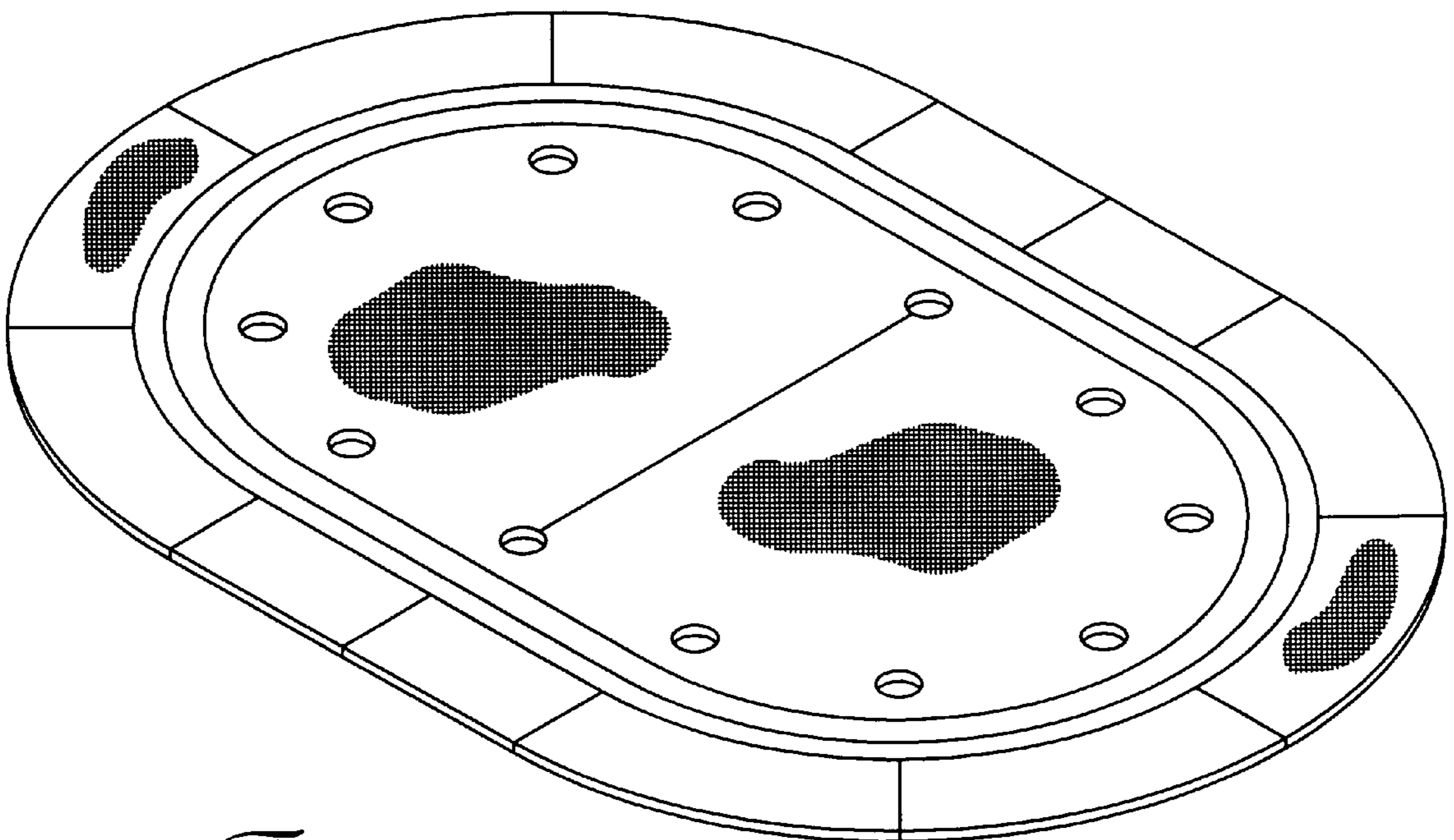


Fig. 2