



US00D416322S

United States Patent [19] Suher

[11] **Patent Number: Des. 416,322**

[45] **Date of Patent: ** Nov. 9, 1999**

[54] **FIREWOOD STORAGE RACK**

3,505,986 4/1970 Wood 126/541
4,369,762 1/1983 Ziebert 126/541

[76] Inventor: **Frank Roy Suher**, 2727 Hillcroft Dr.,
Wildwood, Mo. 63005

Primary Examiner—Mitchell Siegel

[**] Term: **14 Years**

[57] **CLAIM**

[21] Appl. No.: **29/087,088**

The ornamental design for a firewood storage rack, as shown and described.

[22] Filed: **Apr. 27, 1998**

DESCRIPTION

[51] **LOC (6) Cl.** **23-99**

[52] **U.S. Cl.** **D23/410**

[58] **Field of Search** D23/410, 403;
211/60.1, 49.1; 126/505, 541

FIG. 1 is a perspective view of a firewood storage rack showing my new design;

FIG. 2 is a front elevational view thereof, the opposite side being identical;

FIG. 3 is a top view thereof;

FIG. 4 is a side elevational view thereof, the opposite side being identical; and,

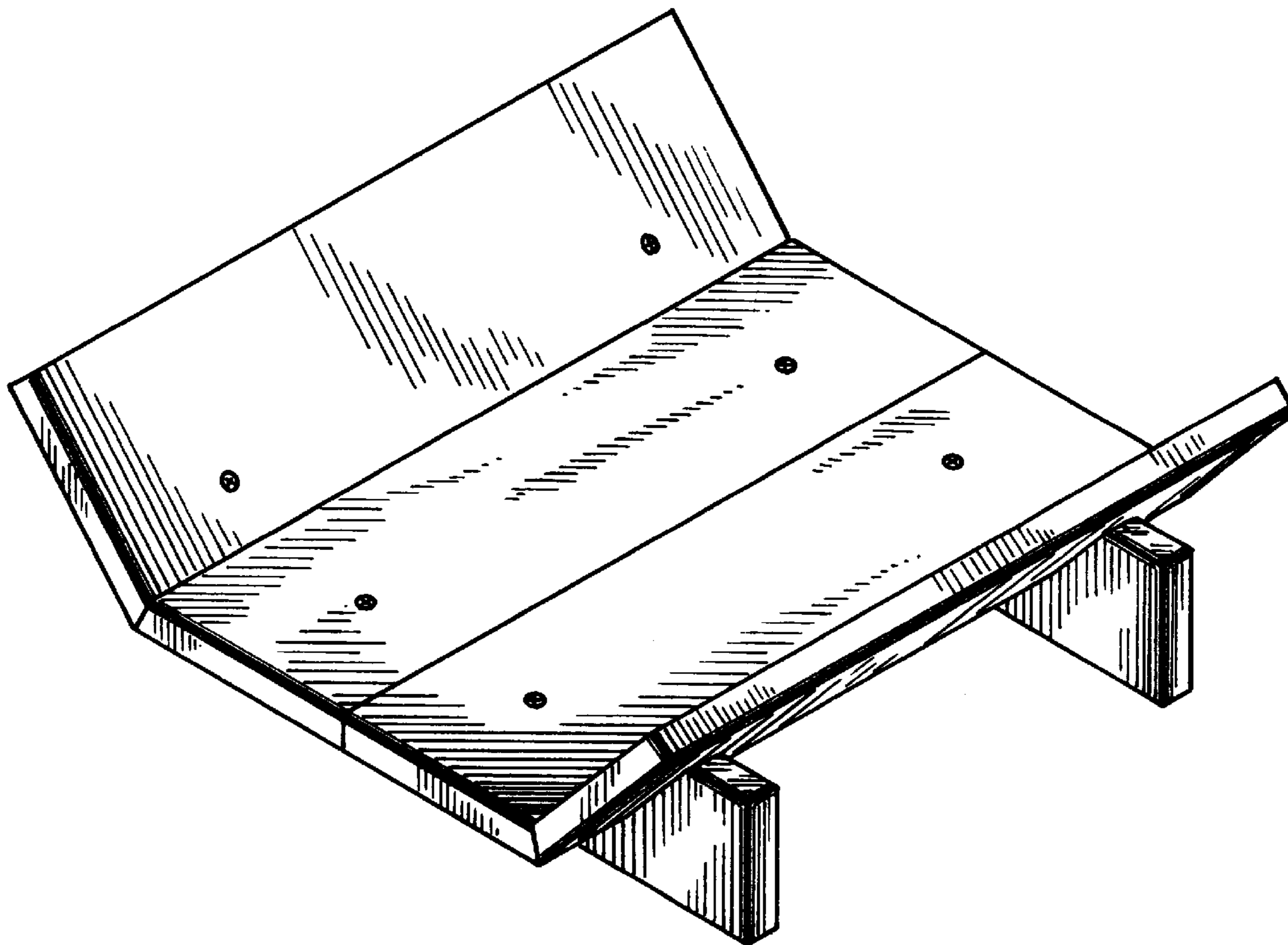
FIG. 5 is a bottom view thereof.

[56] **References Cited**

U.S. PATENT DOCUMENTS

D. 267,465 1/1983 Hassett et al. D23/410
D. 267,466 1/1983 Hassett et al. D23/410
D. 321,051 10/1991 Nagy D23/410

1 Claim, 2 Drawing Sheets



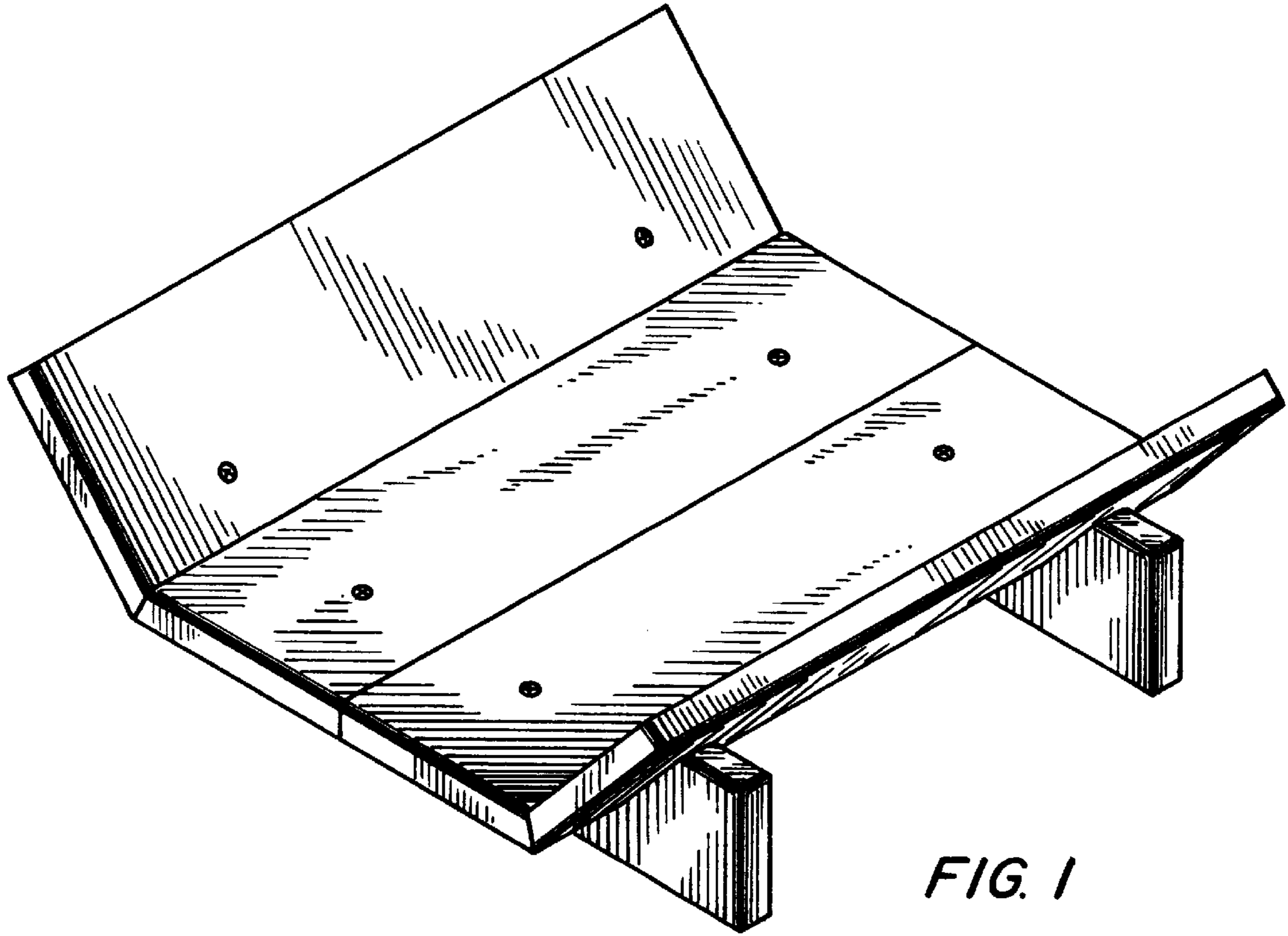


FIG. 1

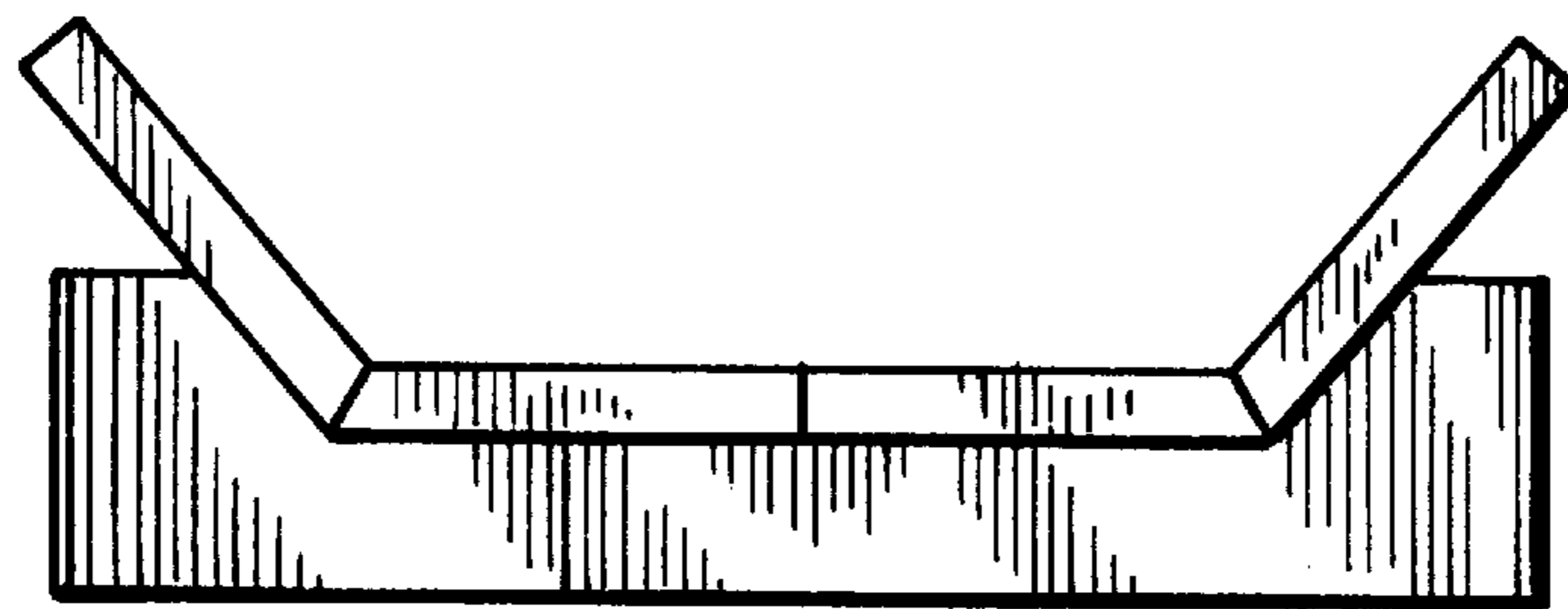


FIG. 2

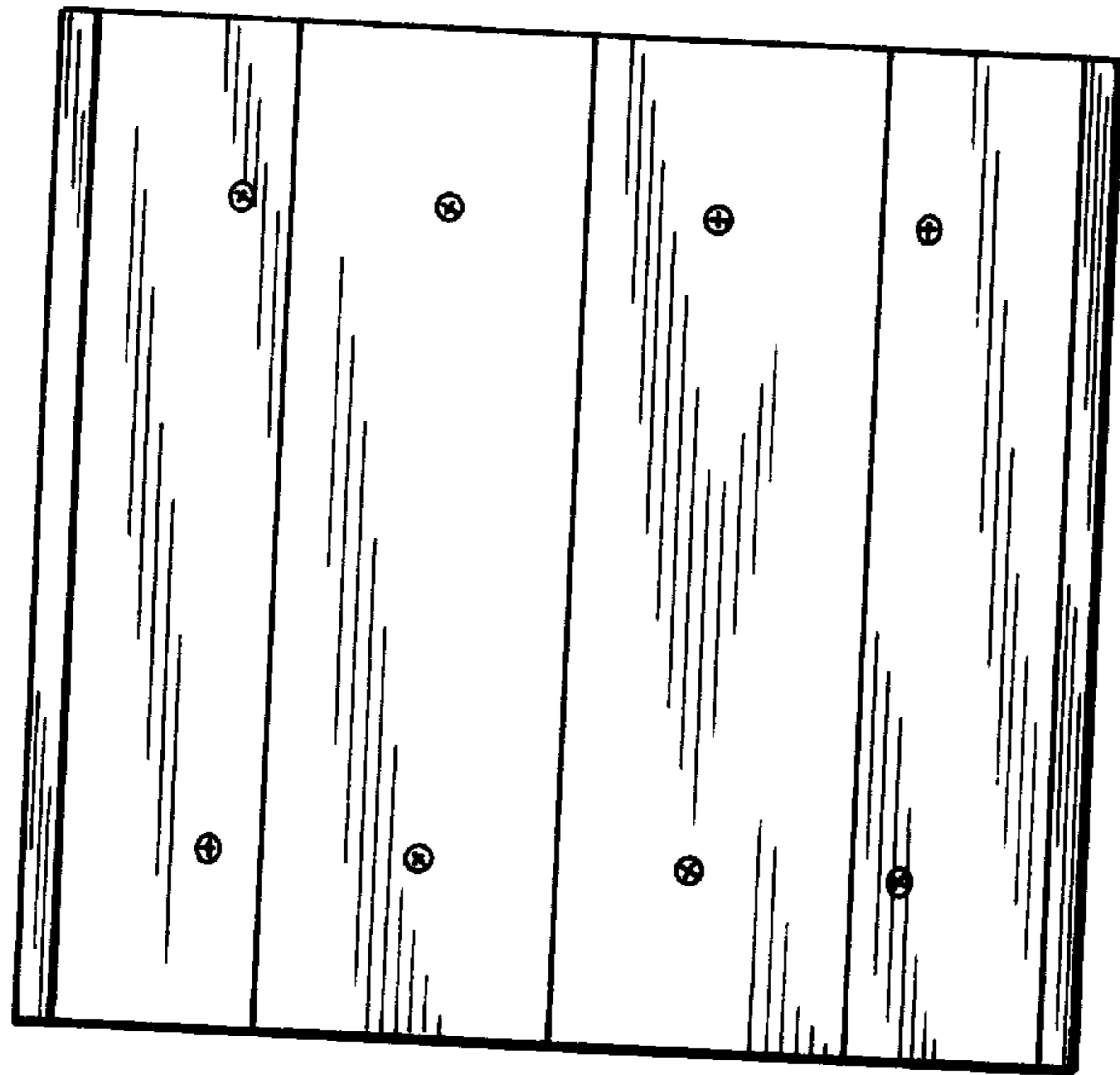


FIG. 3

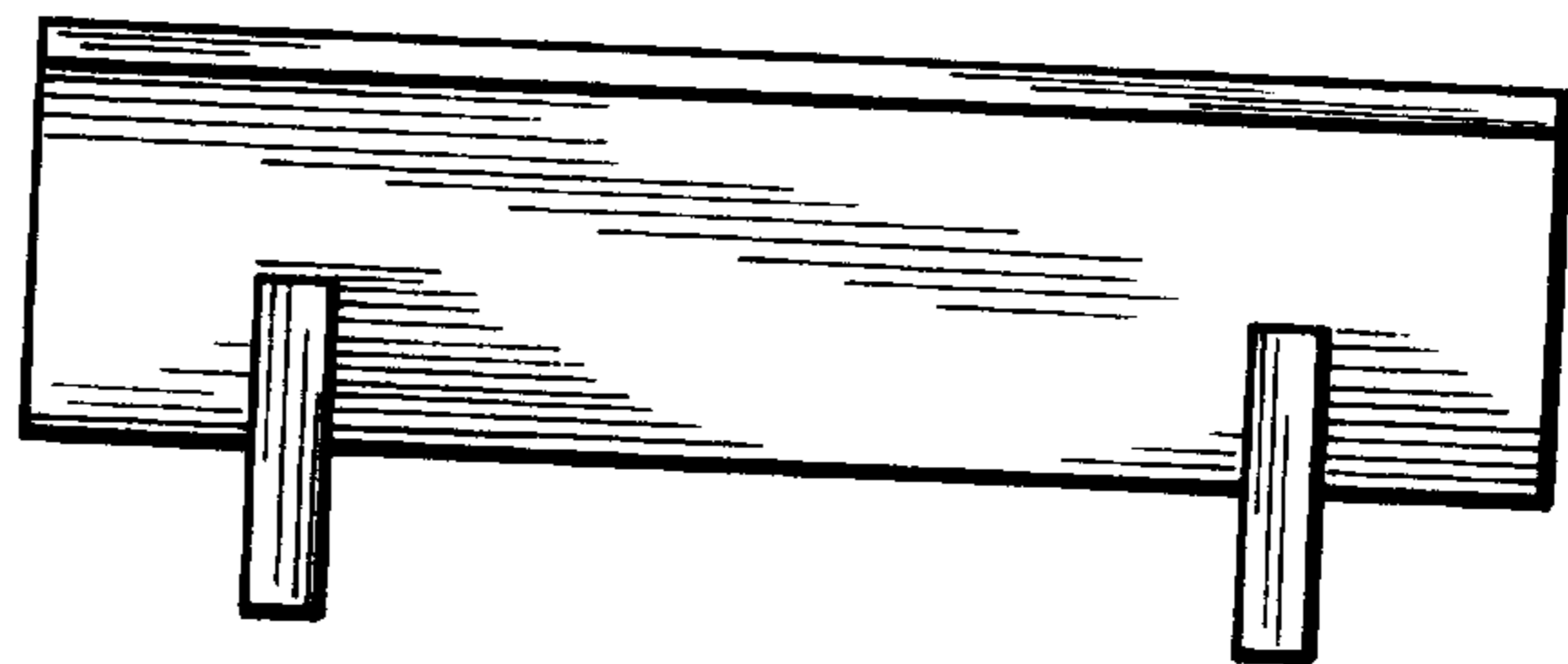


FIG. 4

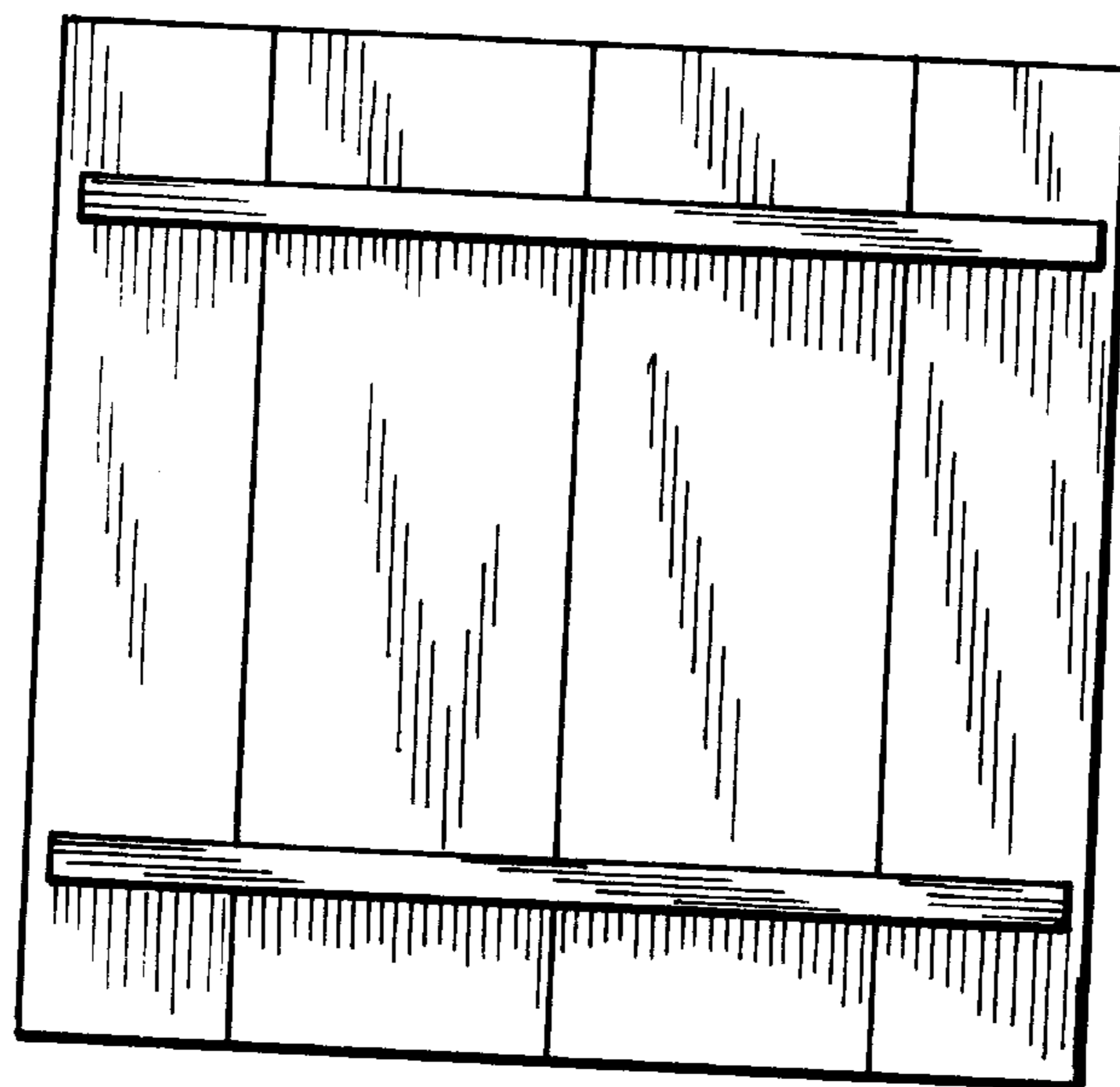


FIG. 5