



US00D416321S

United States Patent [19]

Jané et al.

[11] Patent Number: **Des. 416,321**

[45] Date of Patent: **** Nov. 9, 1999**

[54] **PORTABLE ELECTRICAL FAN**

D. 295,070 4/1988 Shin-Chin D23/382

[75] Inventors: **Rodney Jané**, Westboro, Mass.; **Jui-Shang Wang**, Taipei, Taiwan; **Stanley Gresens**, Homewood, Ill.; **John Longan**, Natick, Mass.; **Steven Valentor**, Wesmont, Ill.; **Patrick Douglas**, Yorba Linda, Calif.

Primary Examiner—Lisa Lichtenstein
Attorney, Agent, or Firm—John E. Toupal

[73] Assignee: **Honeywell Consumer Products, Inc.**, Southborough, Mass.

[57] **CLAIM**

The ornamental design for a portable electrical fan, as shown and described.

[**] Term: **14 Years**

DESCRIPTION

[21] Appl. No.: **29/036,708**

FIG. 1 is a front, right perspective view of a portable electrical fan;

[22] Filed: **Mar. 24, 1995**

FIG. 2 is a rear perspective view thereof;

[51] **LOC (6) Cl.** **23-04**

[52] **U.S. Cl.** **D23/382; D23/381; D23/412**

FIG. 3 is a rear elevational view thereof;

[58] **Field of Search** D23/370, 381, D23/382, 411, 412; 416/246, 247 R; 248/231.1, 231.2, 231.5, 231.6, 231.7, 231.51

FIG. 4 is a right side elevational view thereof;

FIG. 5 is a top plan view thereof;

FIG. 6 is a front elevational view thereof; and,

FIG. 7 is a bottom plan view thereof.

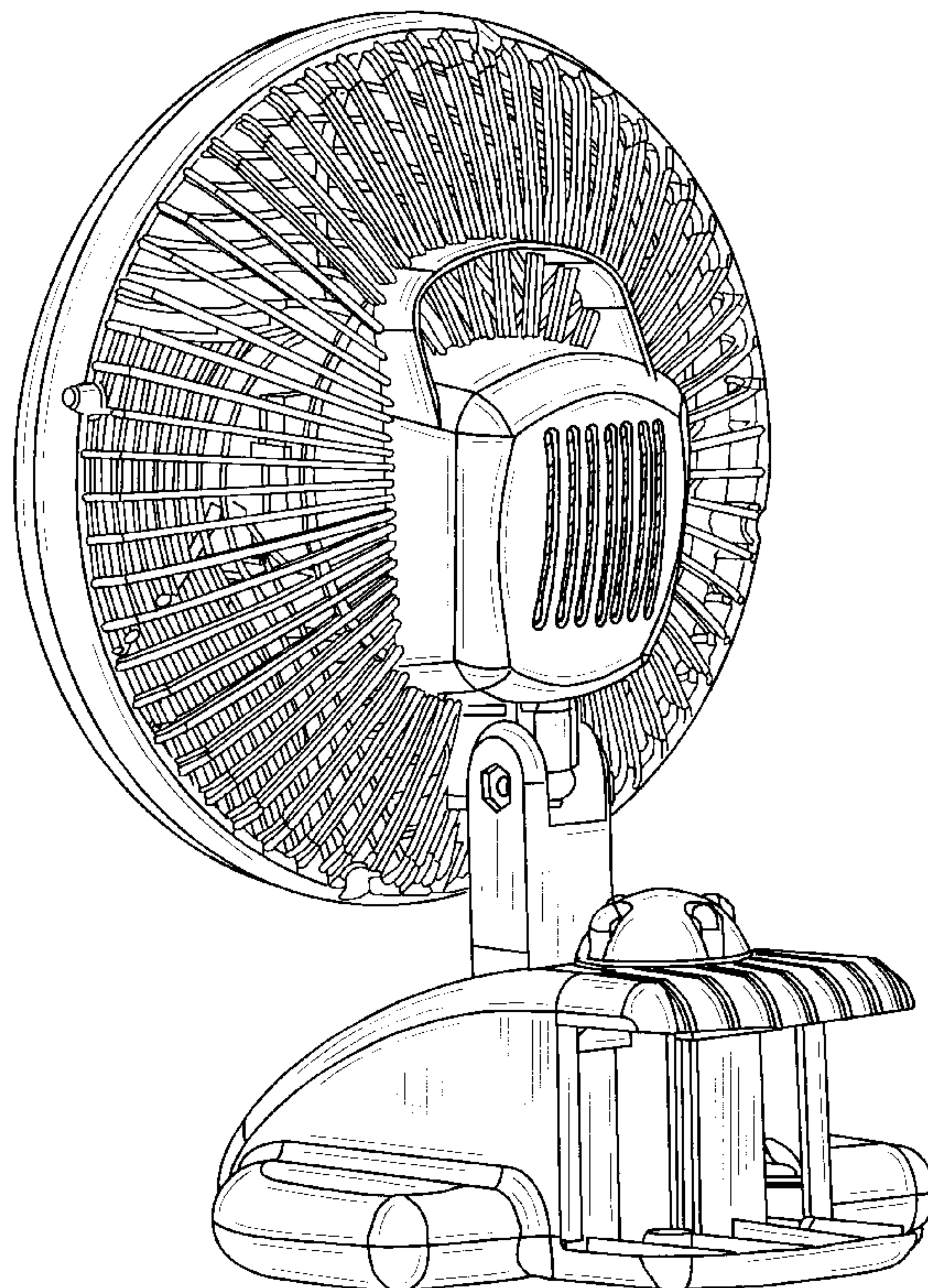
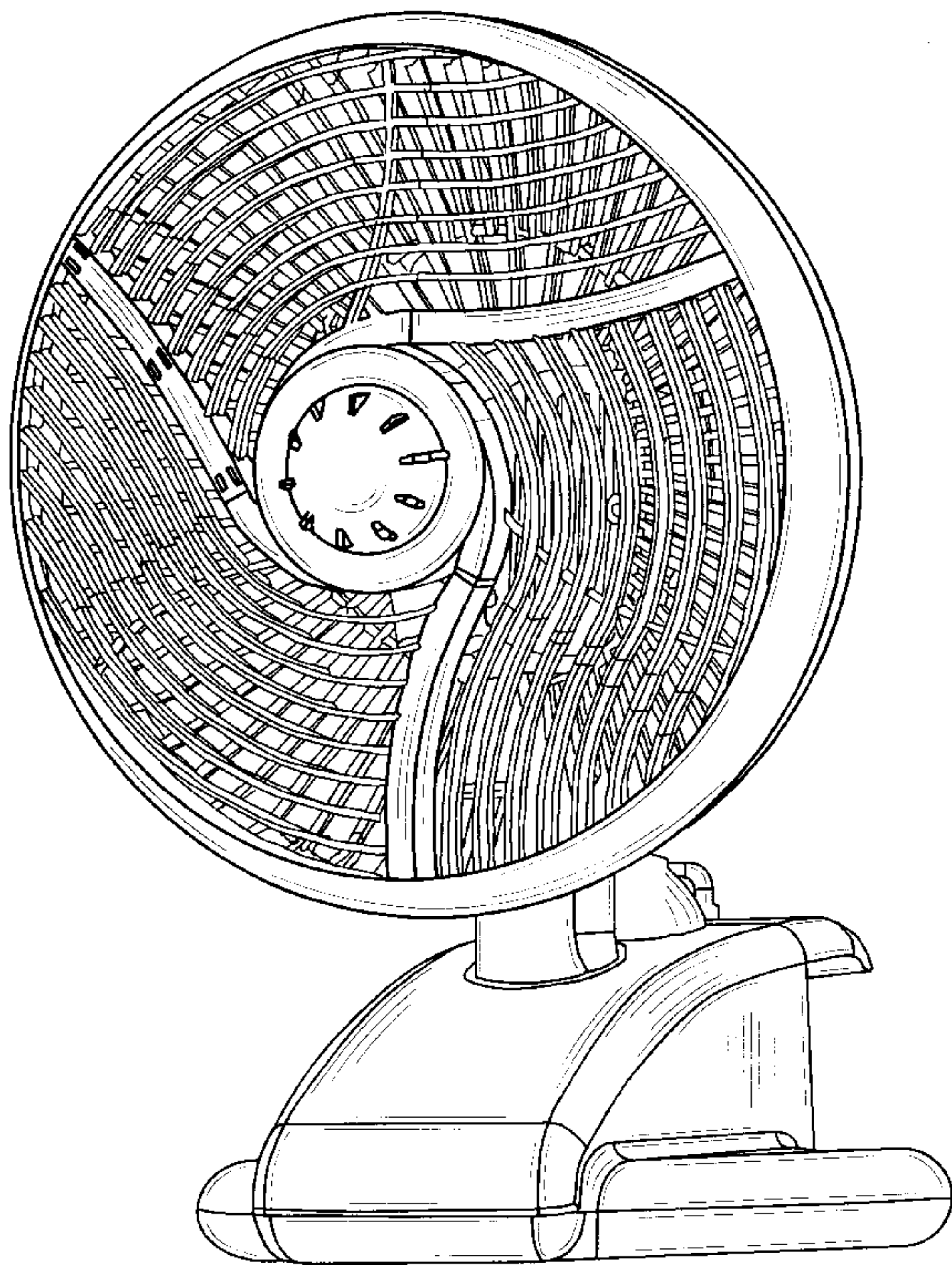
The left side elevation is a mirror image of the right side elevation.

[56] **References Cited**

U.S. PATENT DOCUMENTS

D. 98,541 2/1936 Hofer D23/412

1 Claim, 7 Drawing Sheets



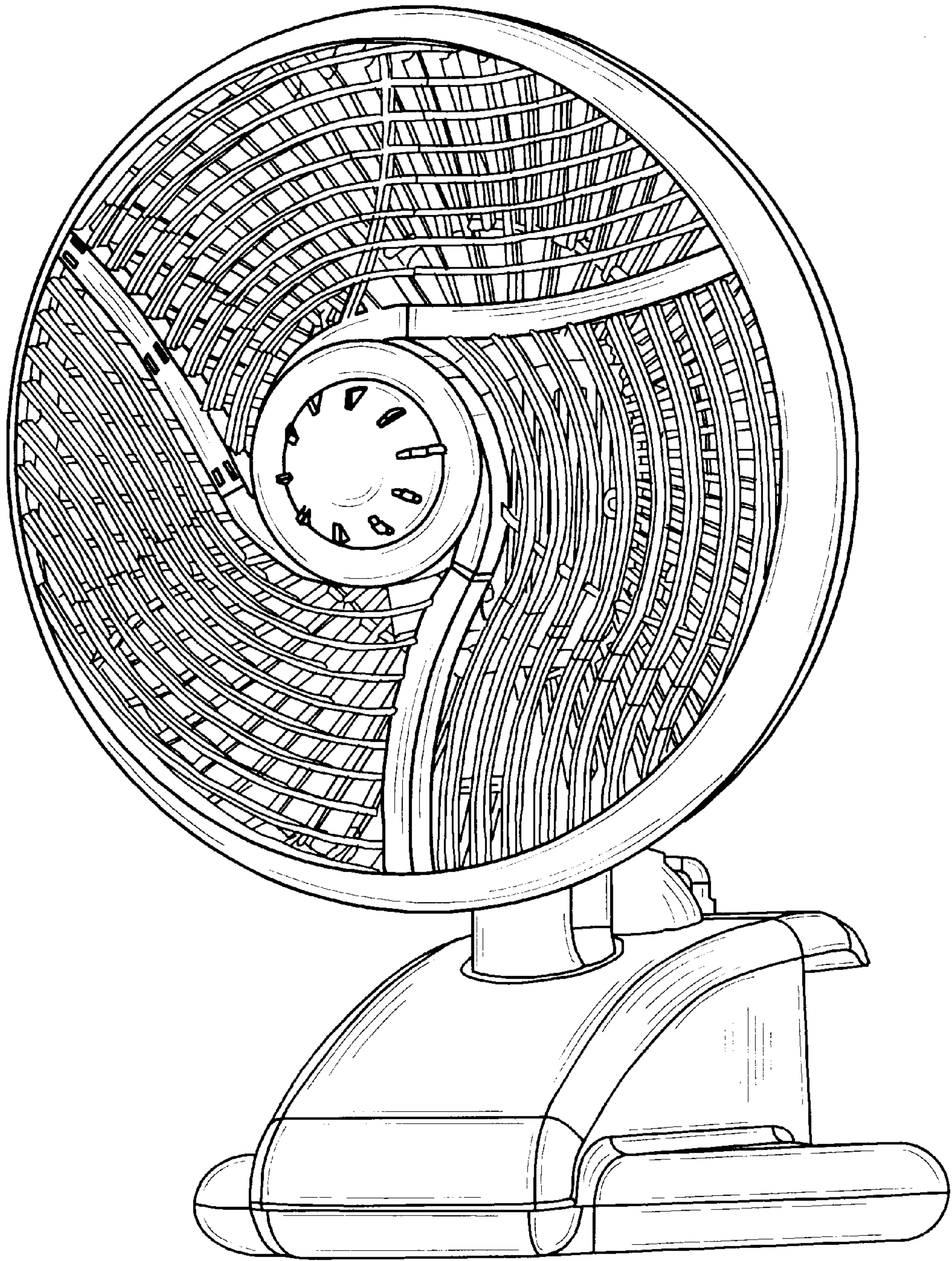


FIG. 1

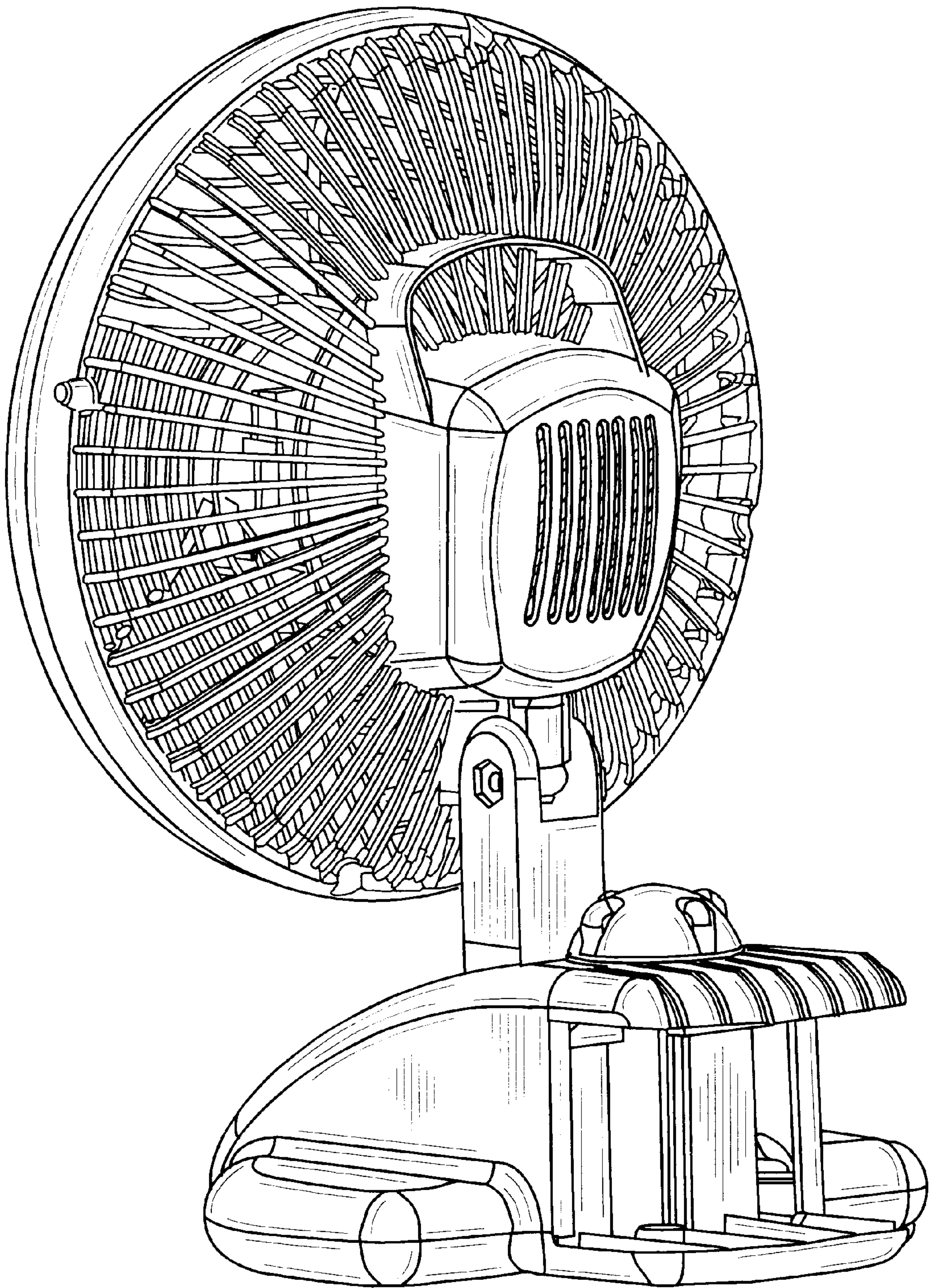


FIG. 2

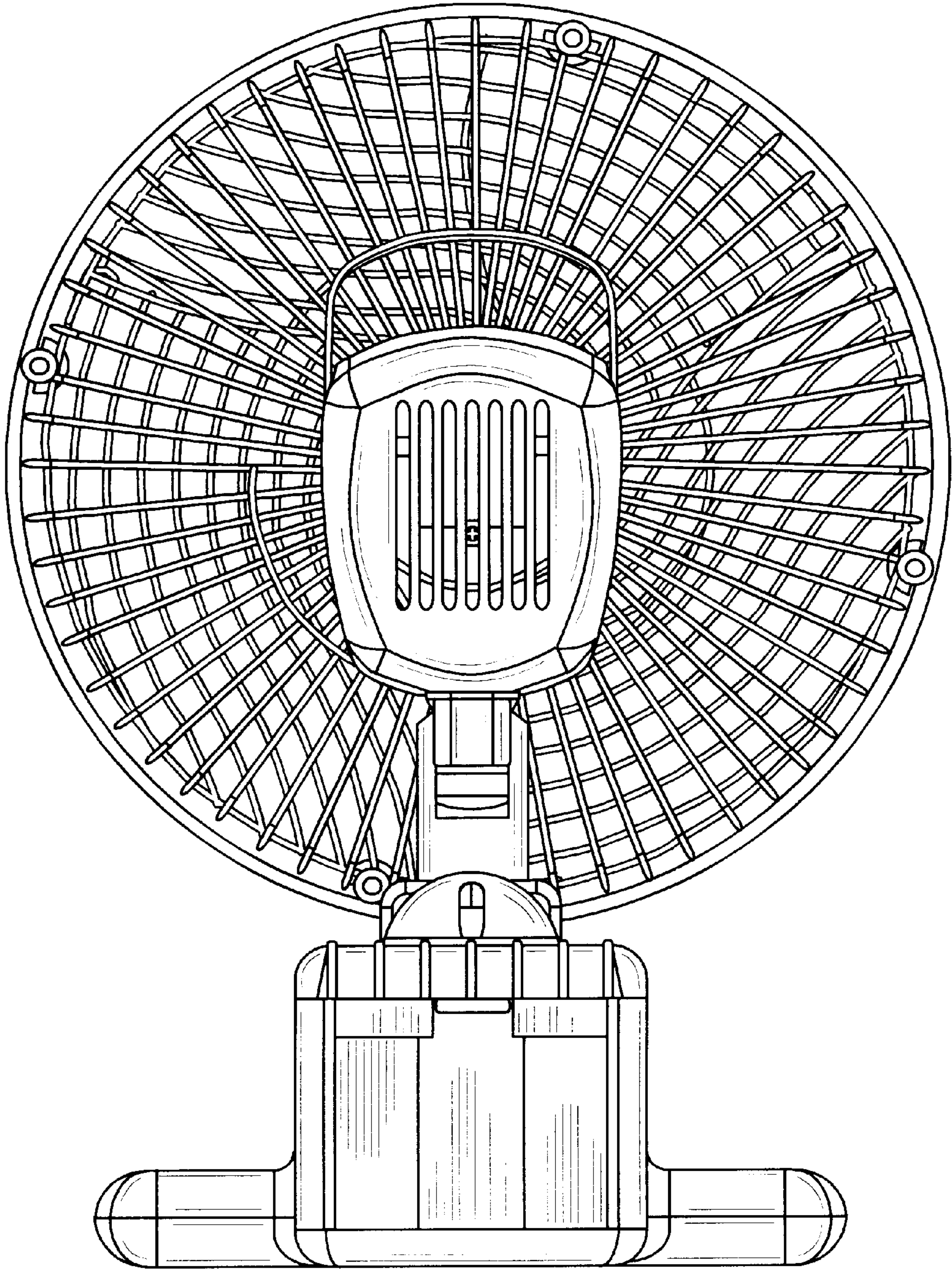


FIG. 3

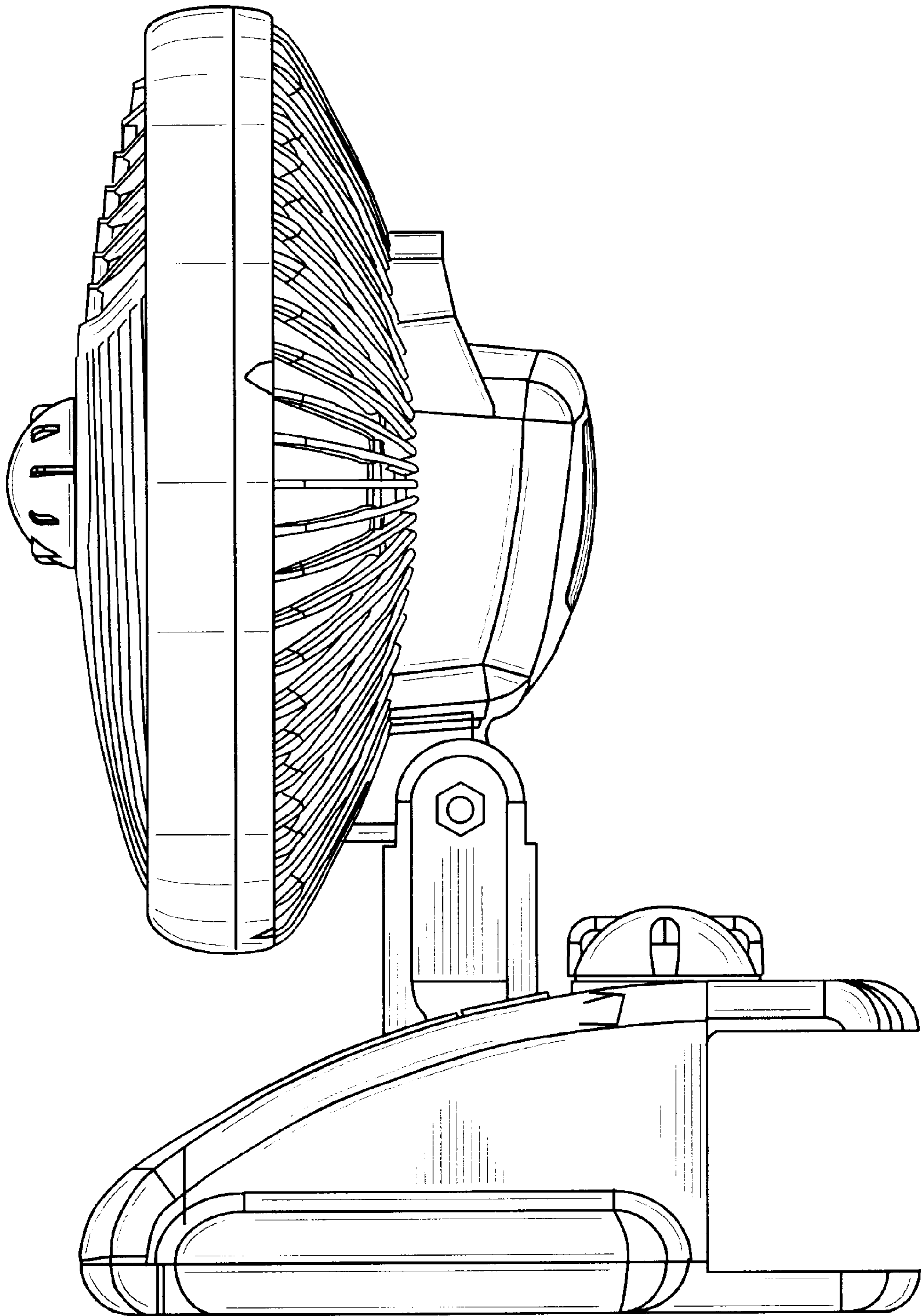


FIG. 4

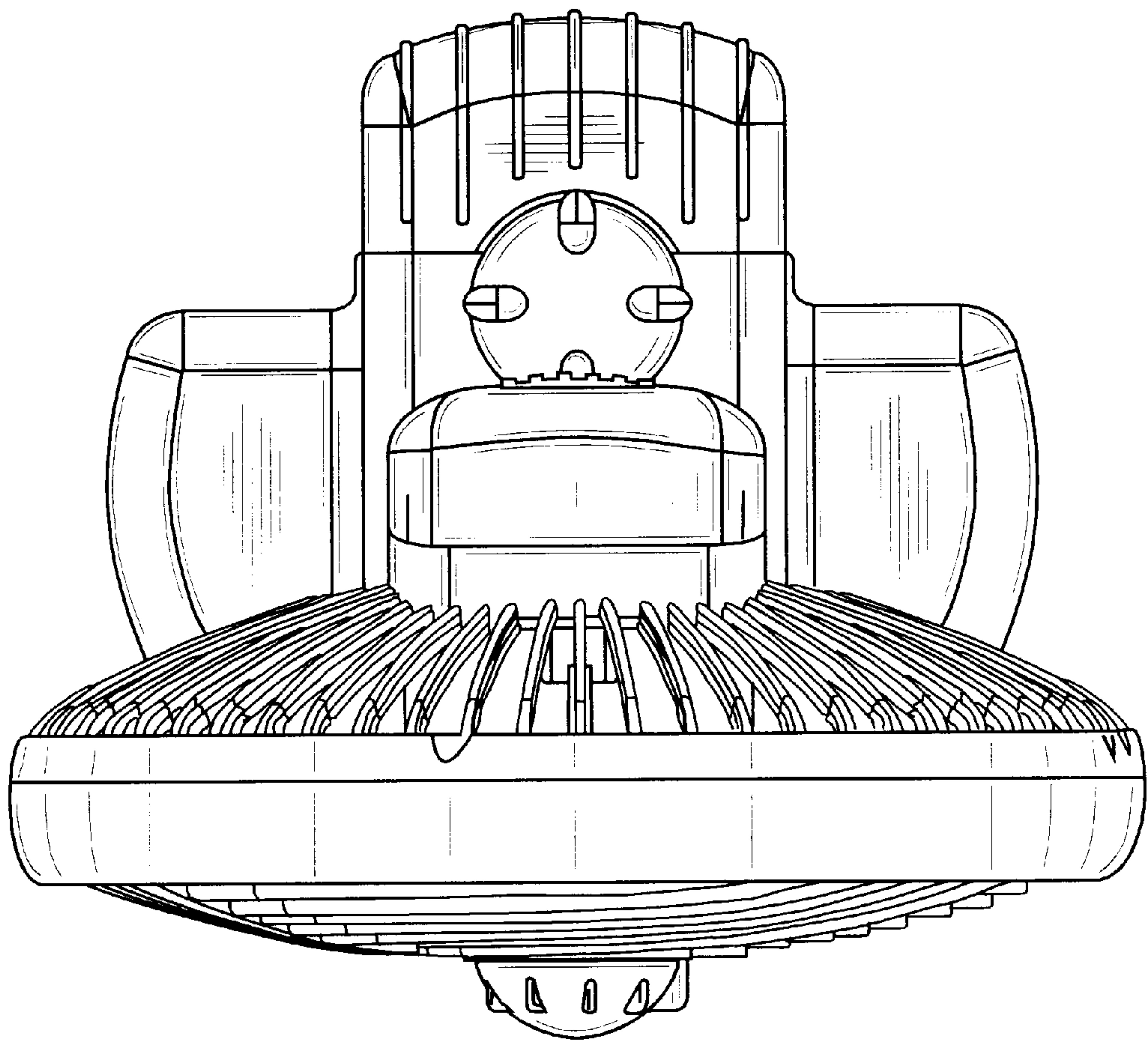


FIG. 5

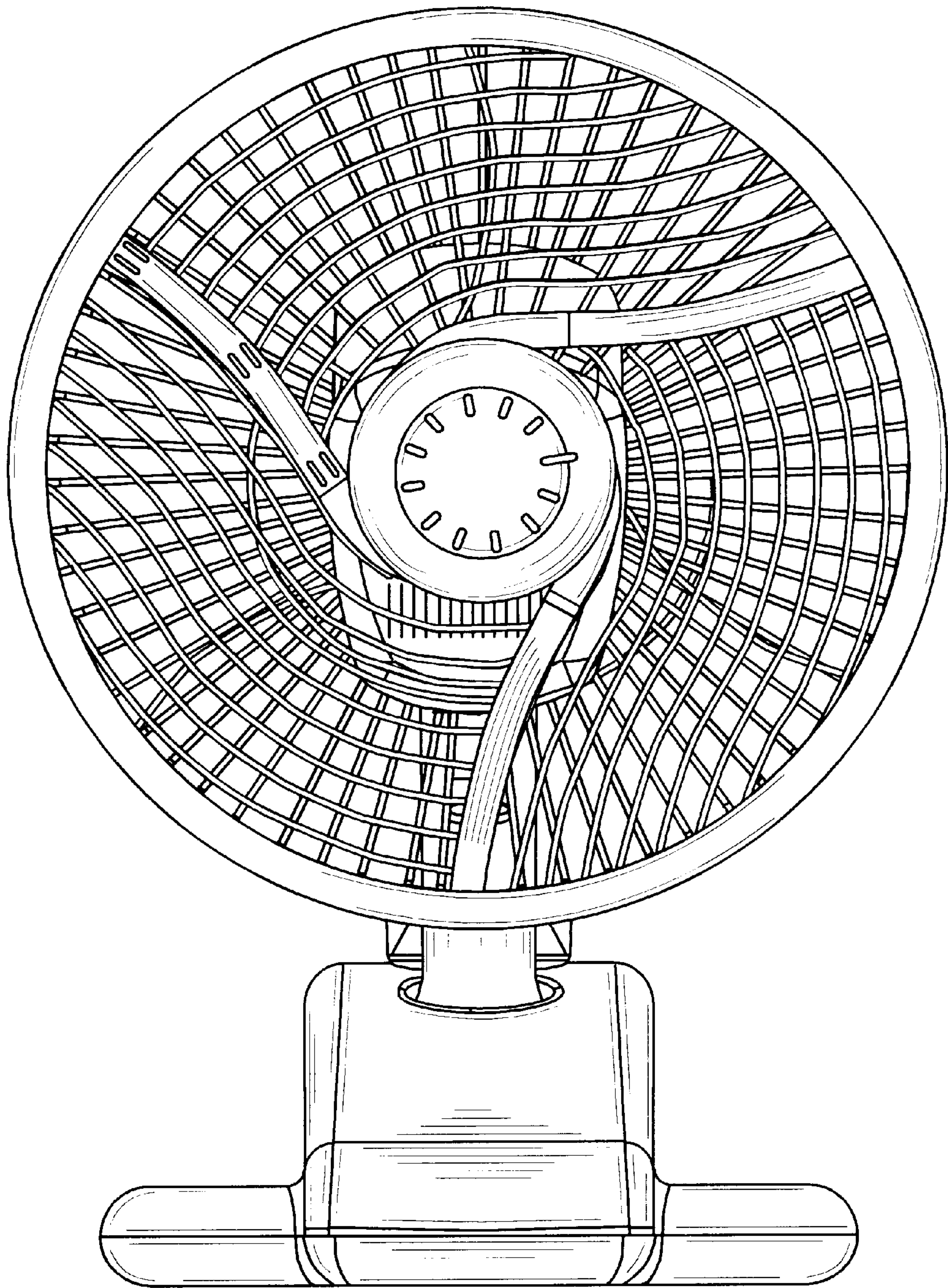


FIG. 6

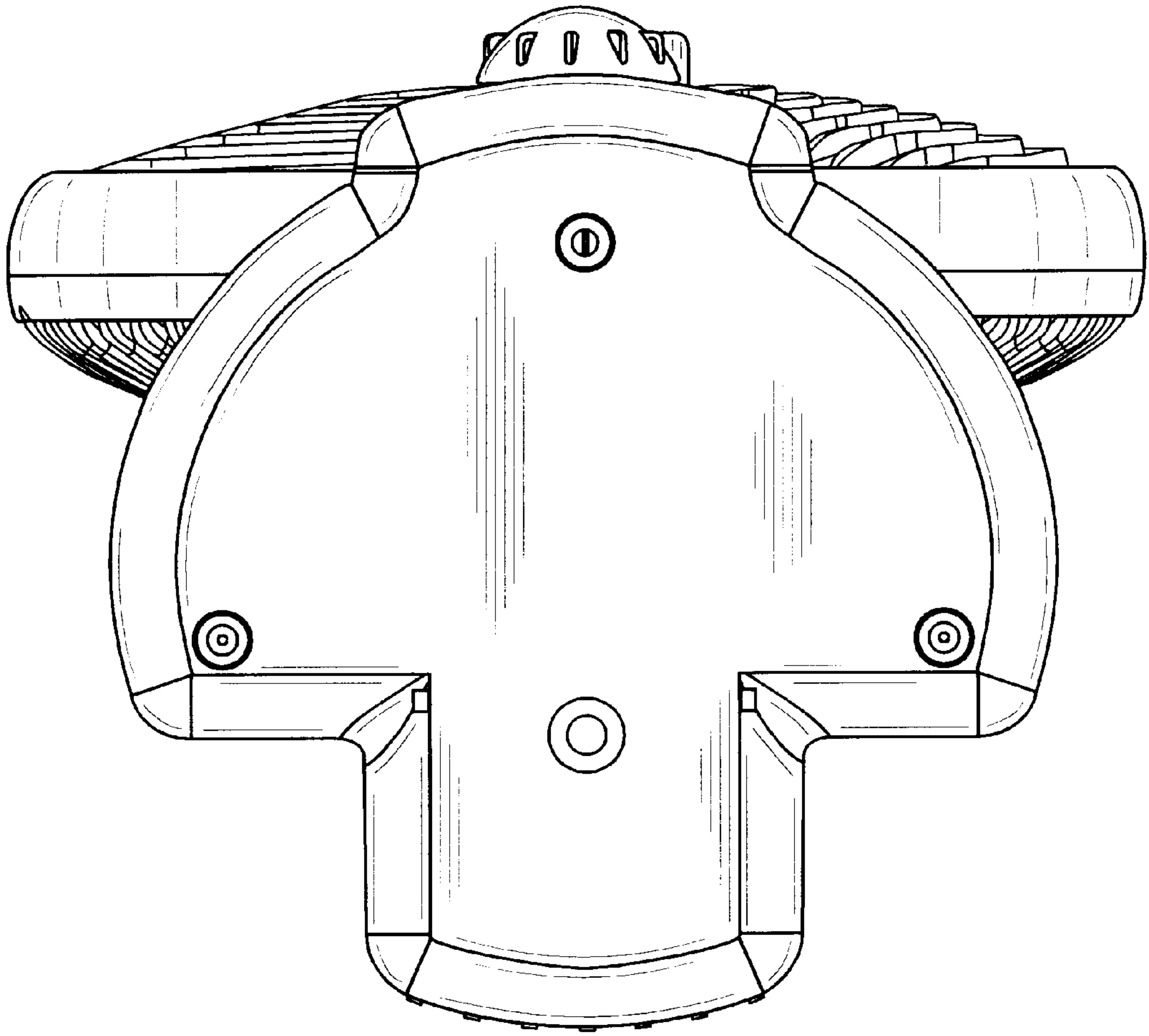


FIG. 7