



US00D416320S

United States Patent [19]
Prosper

[11] **Patent Number: Des. 416,320**

[45] **Date of Patent: ** Nov. 9, 1999**

[54] **AIR FILTER FOR A VEHICLE**

[76] Inventor: **Walter Prosper**, 433 S. San Marino Ave., Pasadena, Calif. 91107

[**] Term: **14 Years**

[21] Appl. No.: **29/095,844**

[22] Filed: **Oct. 30, 1998**

[51] **LOC (6) Cl. 23-04**

[52] **U.S. Cl. D23/365**

[58] **Field of Search D23/365; 55/385.3; 454/158, 156**

[56] **References Cited**

U.S. PATENT DOCUMENTS

5,548,166 8/1996 Gest 55/385.3
5,810,896 9/1998 Clemens 55/385.3

Primary Examiner—Lisa Lichtenstein
Attorney, Agent, or Firm—Timothy Thut Tyson; Freilich, Hornbaker & Rosen

[57] **CLAIM**

The ornamental design for an air filter for a vehicle, as shown and described.

DESCRIPTION

FIG. 1 is a top, front, right side perspective view of an air filter for a vehicle showing my new design; FIG. 2 is a top plan view thereof; FIG. 3 is a bottom plan view thereof; FIG. 4 is a front elevation view thereof; FIG. 5 is a rear elevation view thereof; and, FIG. 6 is a right side elevation view, the left side being the mirror image thereof.

1 Claim, 5 Drawing Sheets

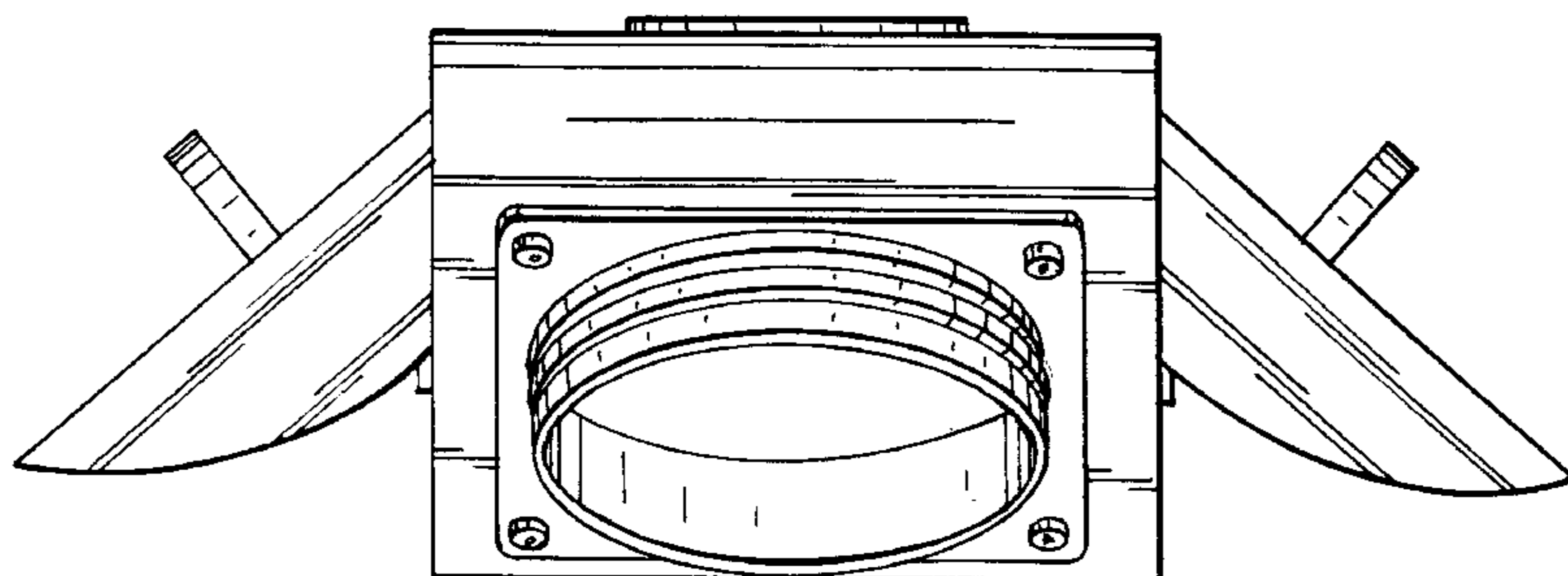
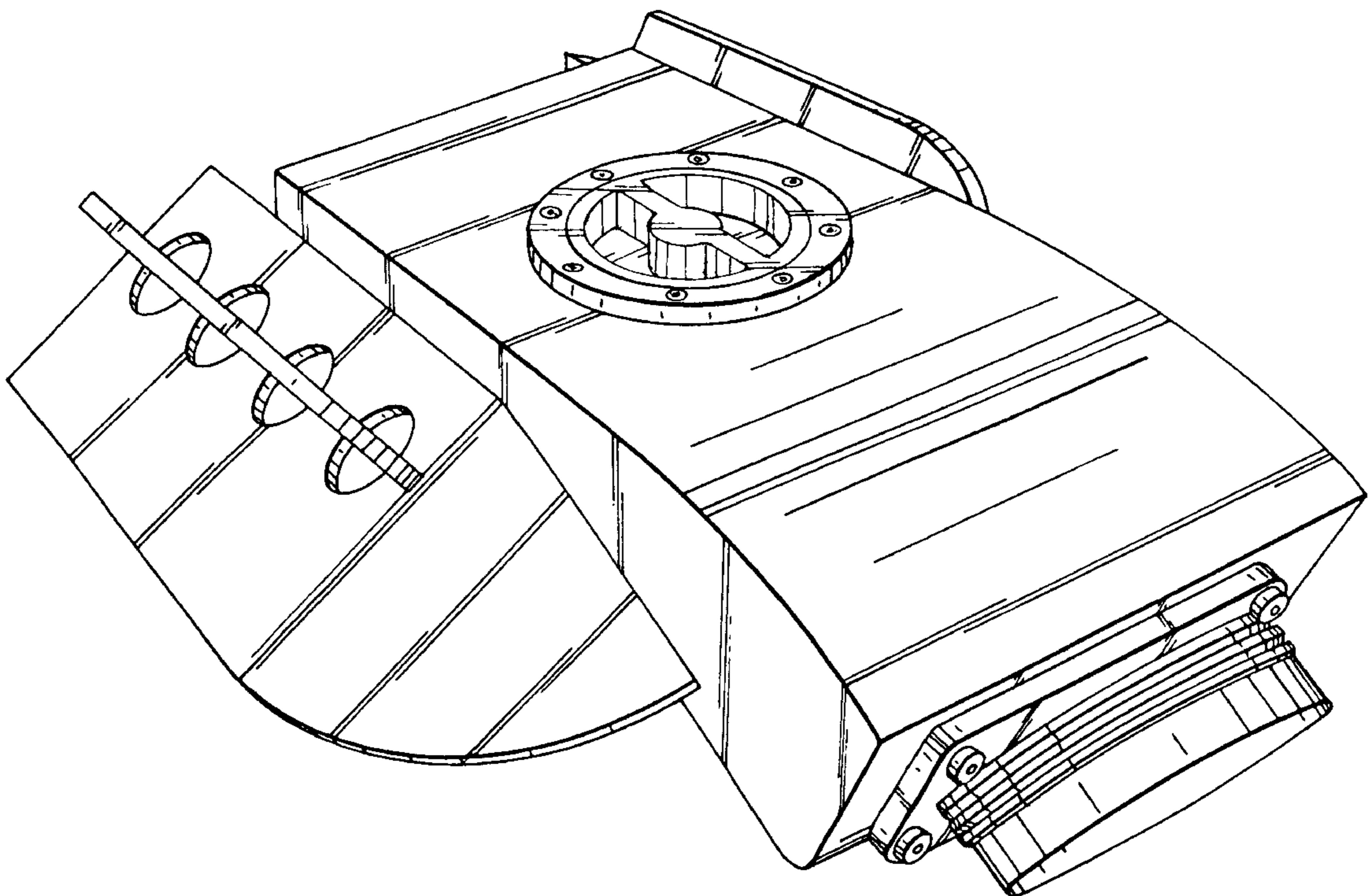


Fig. 1

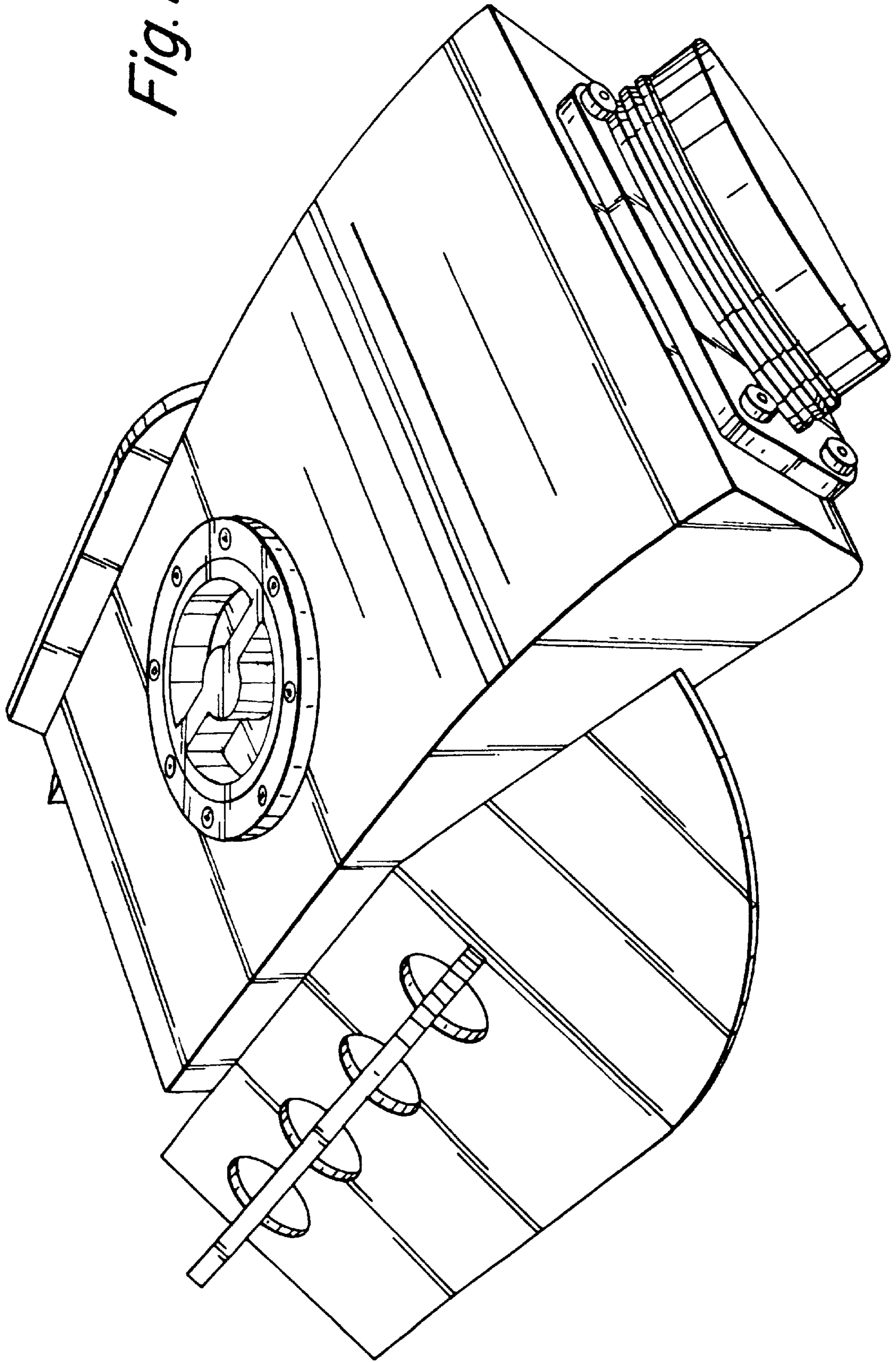


Fig. 2

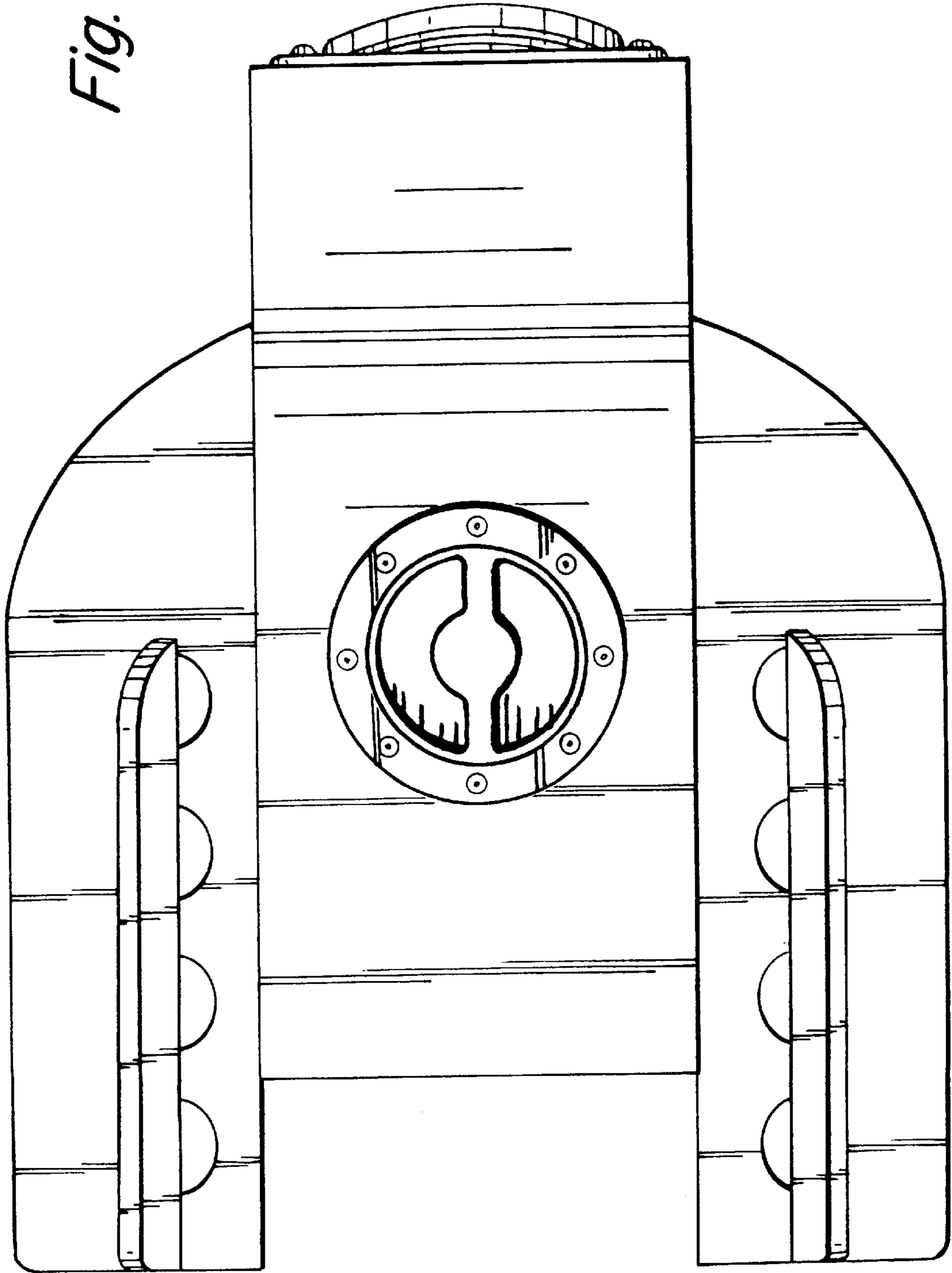
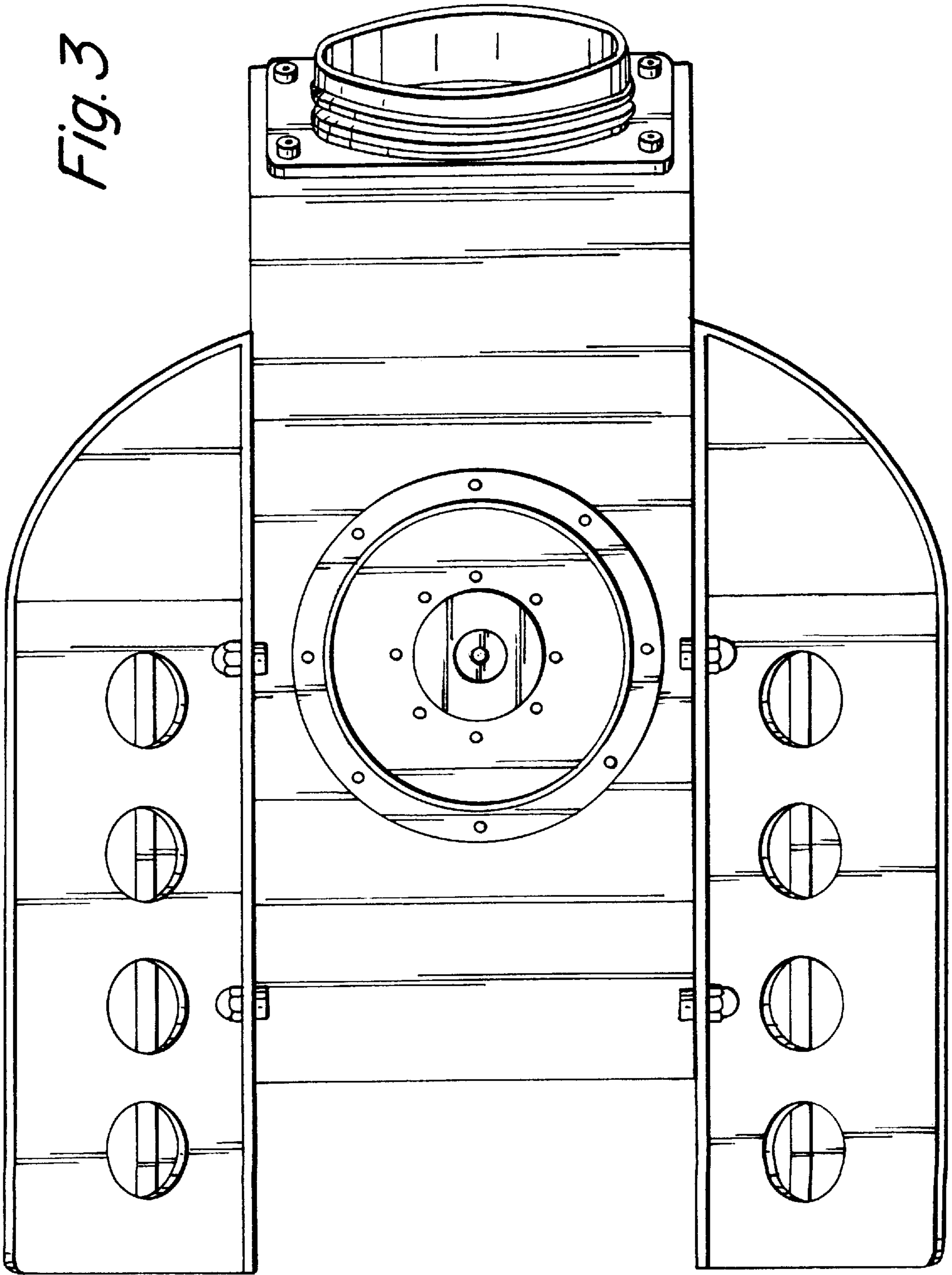


Fig. 3



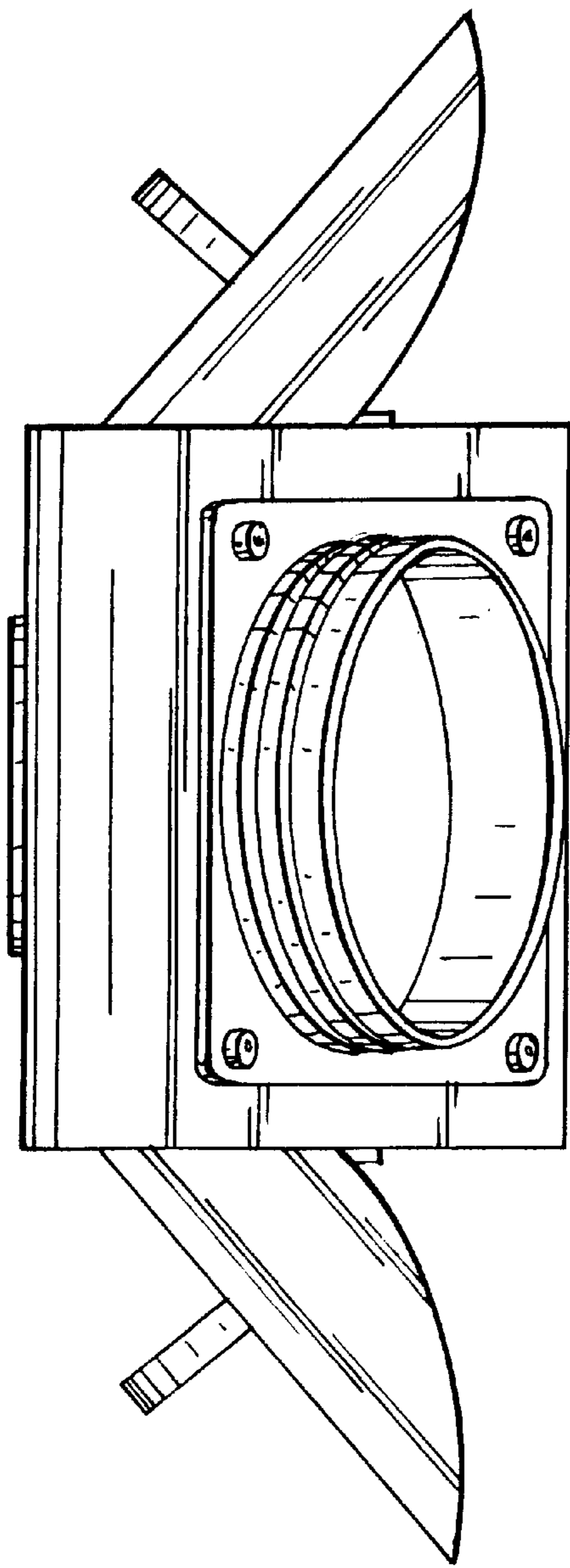


Fig. 4

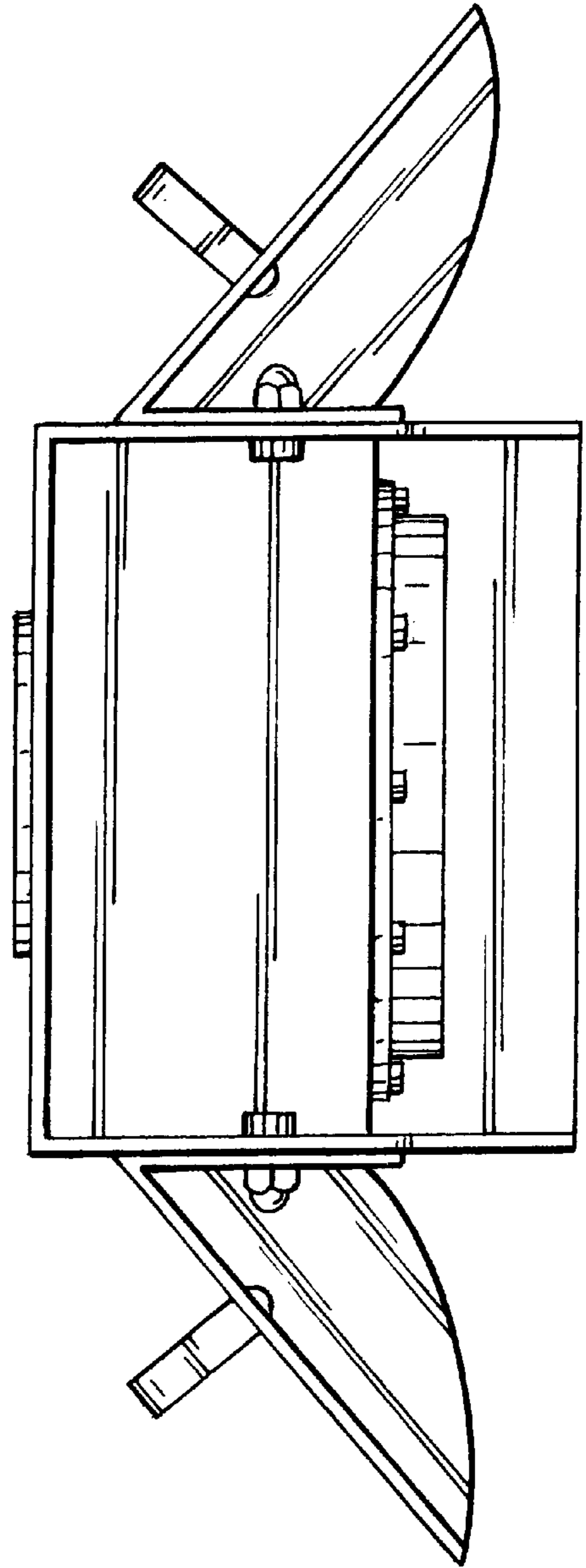


Fig. 5

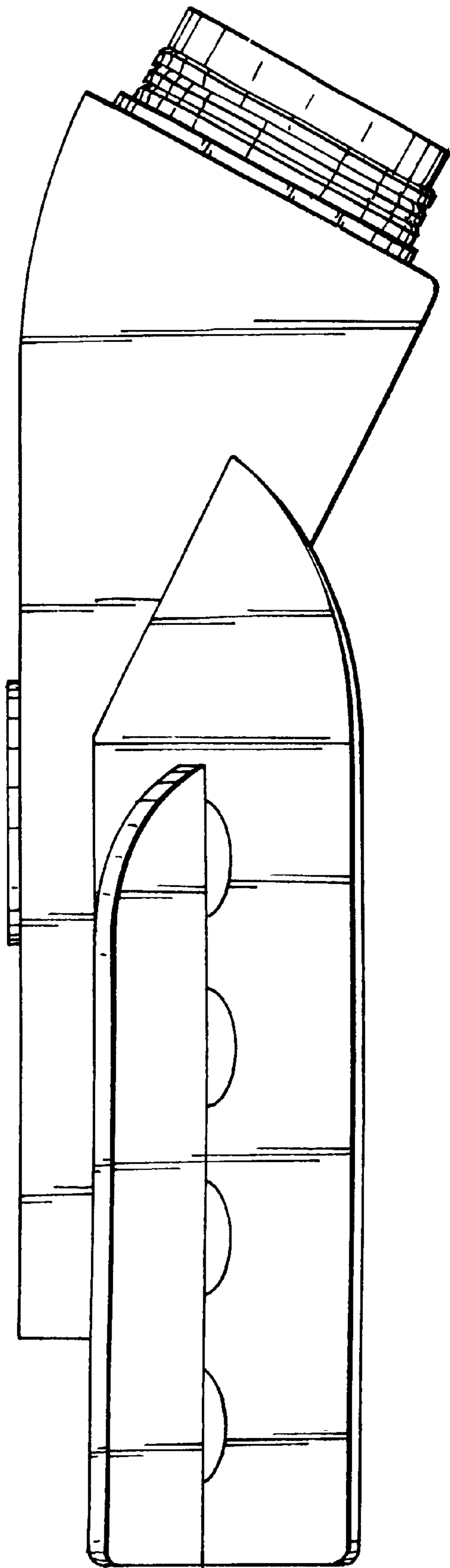


Fig. 6