



US00D416319S

United States Patent [19]

Rollins

[11] Patent Number: **Des. 416,319**

[45] Date of Patent: **** Nov. 9, 1999**

[54] **DECORATIVE AIR FILTER HOUSING**

[76] Inventor: **David A. Rollins**, 4210 N. 39th Ave.,
Phoenix, Ariz. 85019

[**] Term: **14 Years**

[21] Appl. No.: **29/091,324**

[22] Filed: **Jul. 28, 1998**

[51] **LOC (6) Cl.** **23-04**

[52] **U.S. Cl.** **D23/365**

[58] **Field of Search** D23/365, 207-210;
55/490, 515, 519; 96/147

[56] **References Cited**

U.S. PATENT DOCUMENTS

D. 355,702	2/1995	Johnson	D23/209
D. 403,417	12/1998	Rakocy	D23/365
3,902,877	9/1975	Swaim	D23/365

Primary Examiner—Lisa Lichtenstein
Attorney, Agent, or Firm—John D. Titus

[57] **CLAIM**

The ornamental design for a decorative air filter housing, as shown and described.

DESCRIPTION

FIG. 1 is perspective view of a decorative air filter housing in accordance with the present invention; FIG. 2 is a top plan view of the embodiment of FIG. 1; FIG. 3 is a bottom plan view of the embodiment of FIG. 1; FIG. 4 is a front elevation view of the embodiment of FIG. 1; FIG. 5 is a rear elevation view of the embodiment of FIG. 1; and, FIG. 6 is a side elevation view of FIG. 1, the opposite side being a mirror image of that shown.

1 Claim, 2 Drawing Sheets

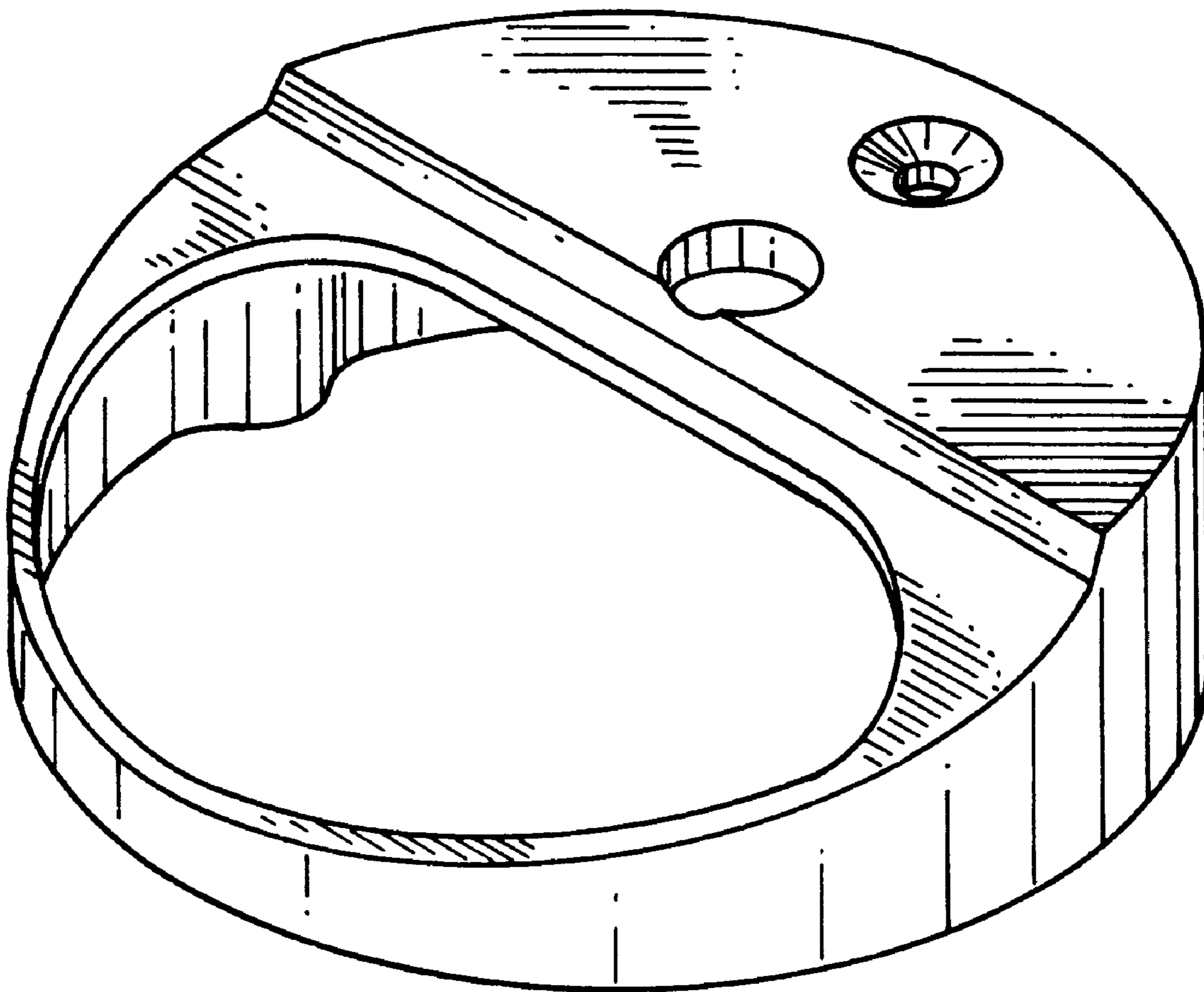


FIG. 1

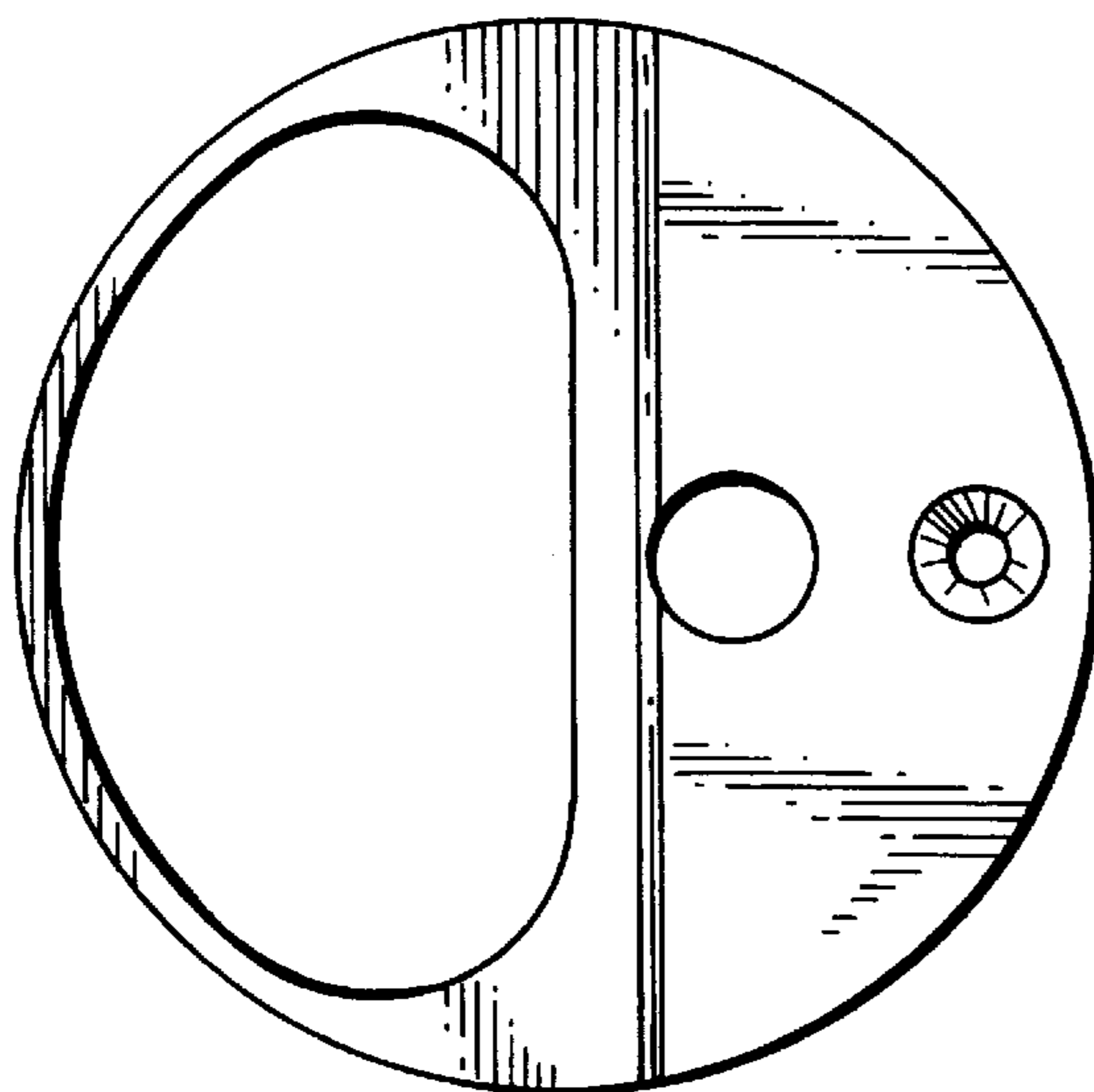
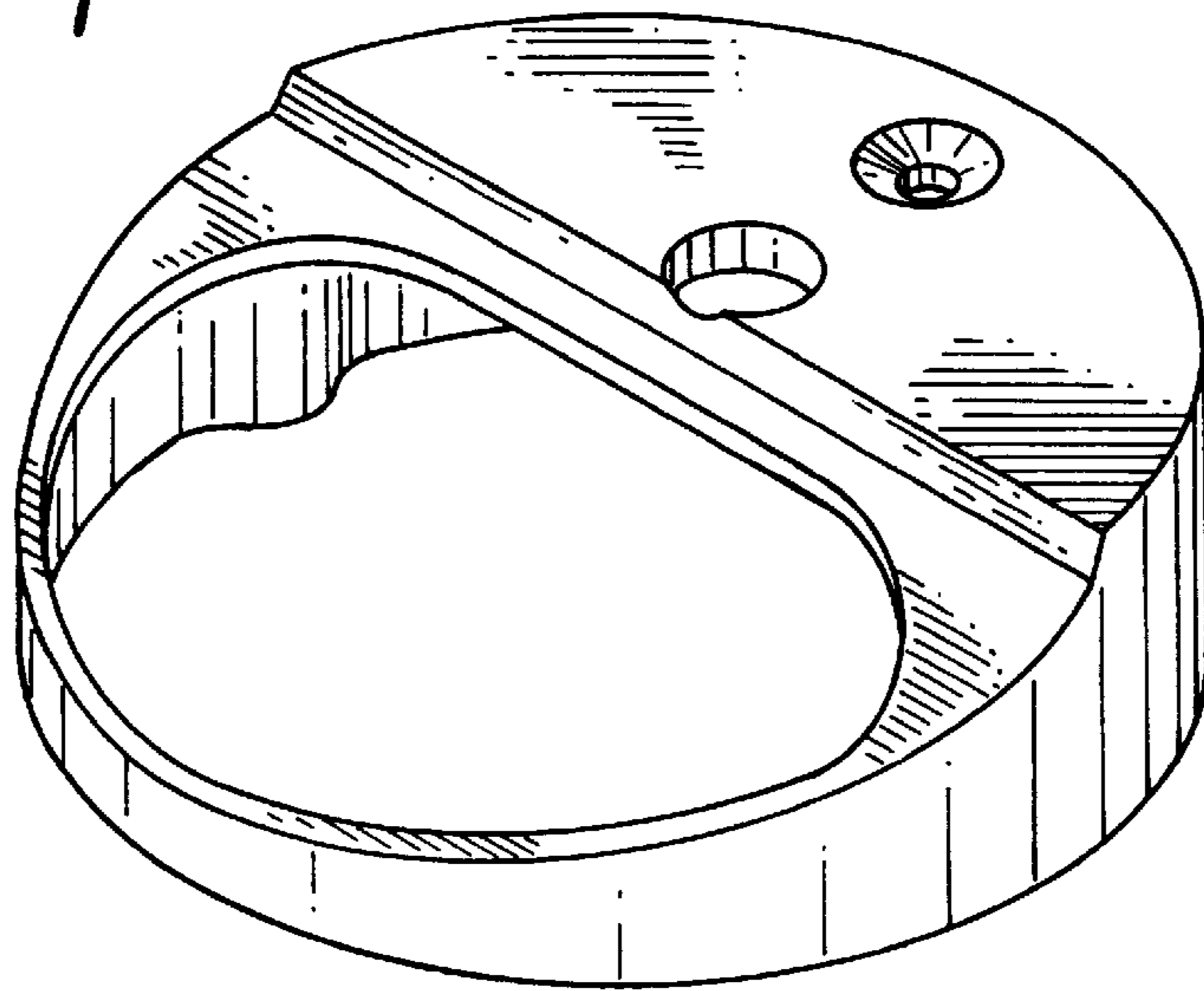


FIG. 2

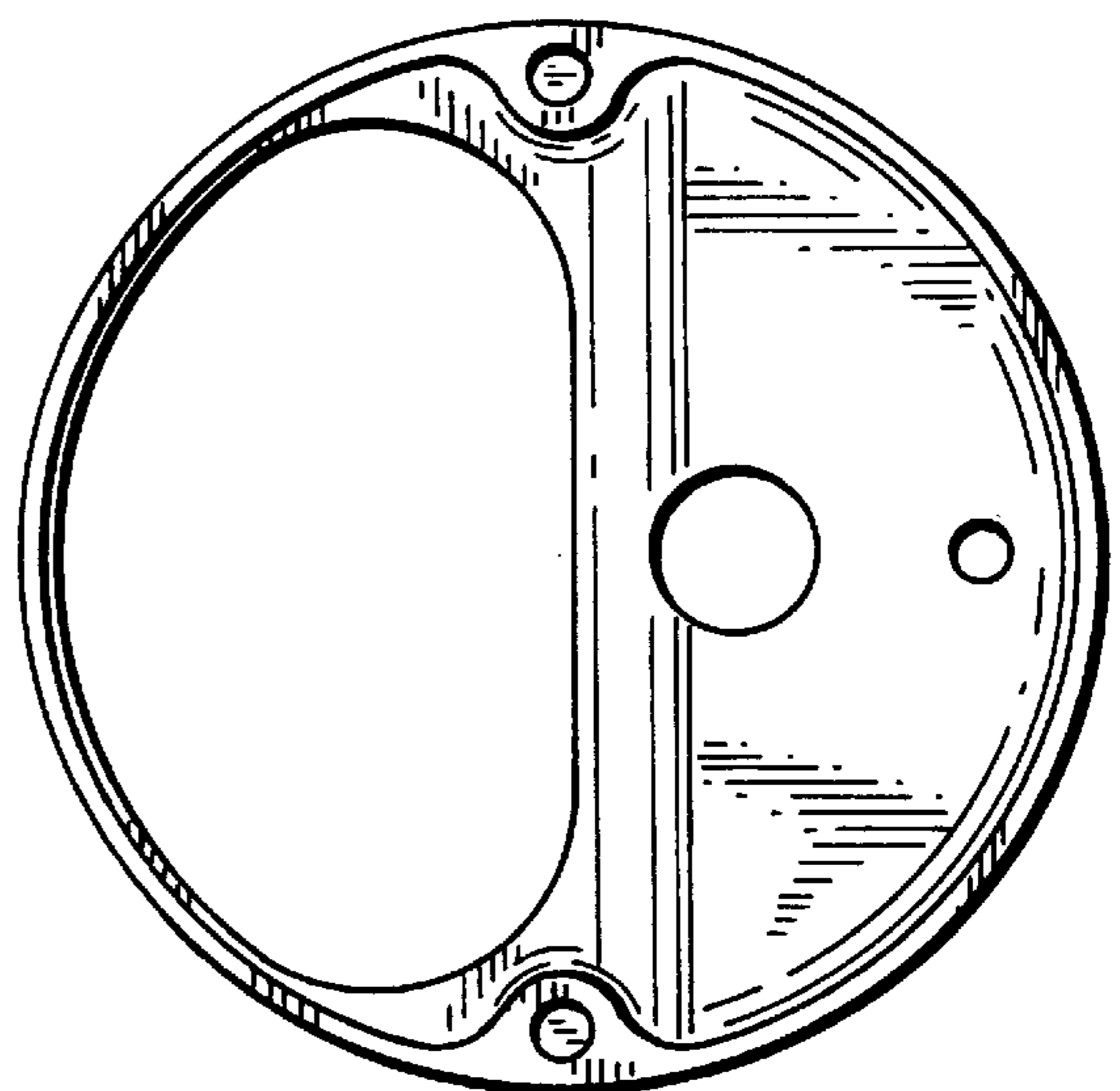


FIG. 3

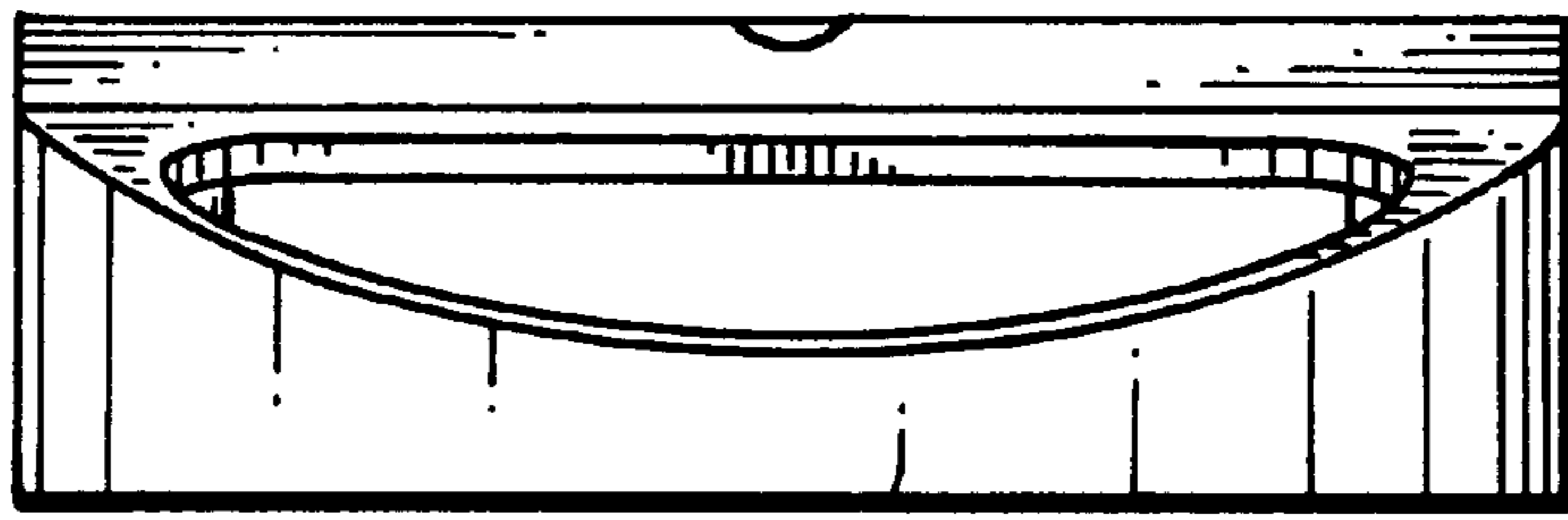


FIG. 4

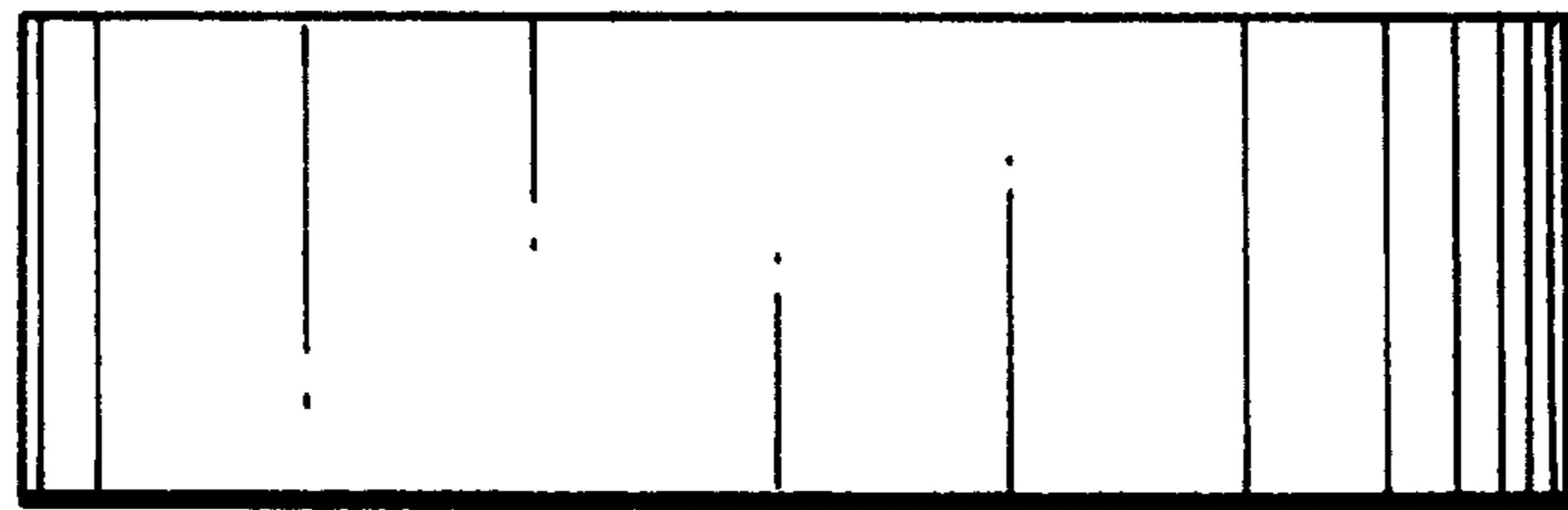


FIG. 5

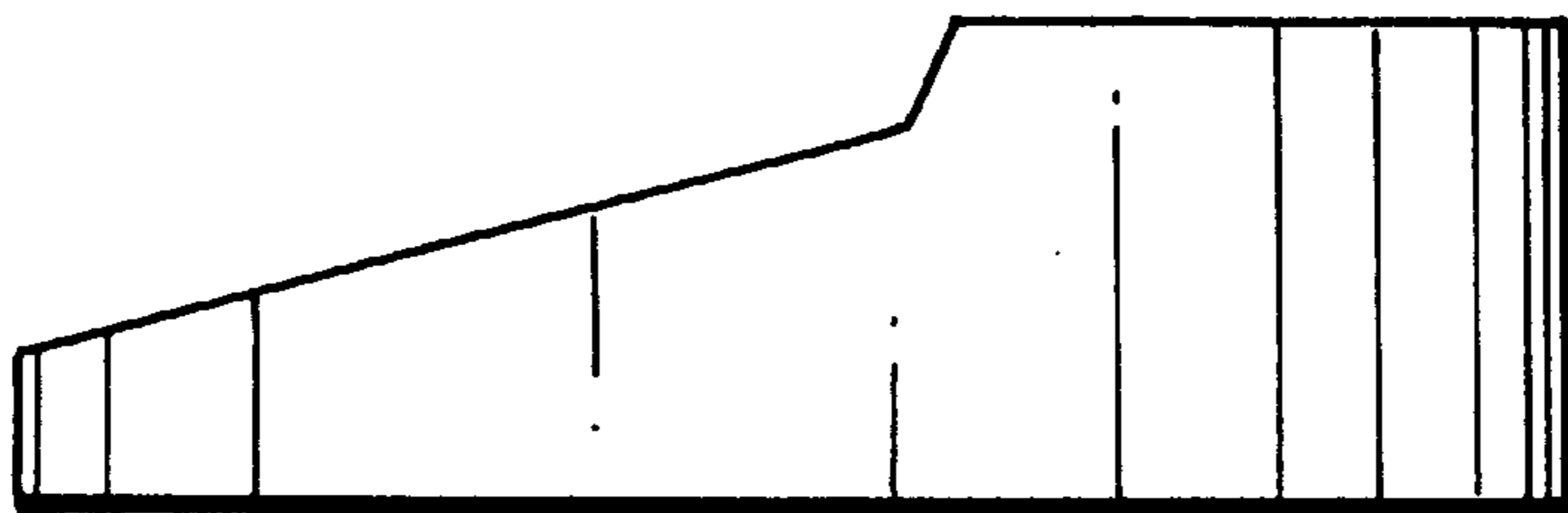


FIG. 6