



US00D416317S

United States Patent [19]

Bellil et al.

[11] Patent Number: Des. 416,317

[45] Date of Patent: ** Nov. 9, 1999

[54] AIR CLEANER

[75] Inventors: **Kimberly Bellil**, Holden, Mass.; **Stephen M. Gatchell**, Warwick, R.I.; **Zhiwei Xu**, Marlborough, Mass.; **Scott W. Osiecki**, Skaneateles, N.Y.; **Ronald J. Kingston**, Camillus, N.Y.; **Timothy R. Fitch**, Syracuse, N.Y.

[73] Assignee: **Honeywell Inc.**, Minneapolis, Minn.

[**] Term: **14 Years**

[21] Appl. No.: **29/080,555**

[22] Filed: **Dec. 3, 1997**

[51] LOC (6) Cl. **23-04**

[52] U.S. Cl. **D23/364**

[58] Field of Search D23/364; 96/97

[56] References Cited

U.S. PATENT DOCUMENTS

D. 349,566	8/1994	O'Grady	D23/364
D. 355,962	2/1995	Chiu et al.	D23/364
D. 365,388	12/1995	Williams	D23/364
D. 365,389	12/1995	Williams	D23/364
D. 375,546	11/1996	Lee	D23/364
D. 377,523	1/1997	Marvin et al.	D23/364
5,578,113	11/1996	Glenn	96/97

OTHER PUBLICATIONS

Advertisement for Pollenex Pedia-Aire air cleaner (Model MPD894), Spring 1995 issue of *Lifestyle Fascination* (p. 20).

1993 Instructions and Warranty Guide for Pollenex Refresh-Aire Cleaner/Ionizer; Model PA300.

Advertisement for Slant/Fin Hepa-Clear™ Air Purifier (Model A3735) in 1995 *Self Care Catalog*.

1992 Instructions and Warranty Guide for Pollenex Health Aire/Family Hepa air cleaner; Model PA500.

Primary Examiner—Lisa Lichtenstein
Attorney, Agent, or Firm—Loletta L. Darden; Robert B. Leonard

[57] CLAIM

The ornamental design for an air cleaner, as shown.

DESCRIPTION

FIG. 1 is a front perspective view of an air cleaner showing our design.

FIG. 2 is a front elevational view of the air cleaner shown in FIG. 1.

FIG. 3 is a rear elevational view of the air cleaner shown in FIG. 1.

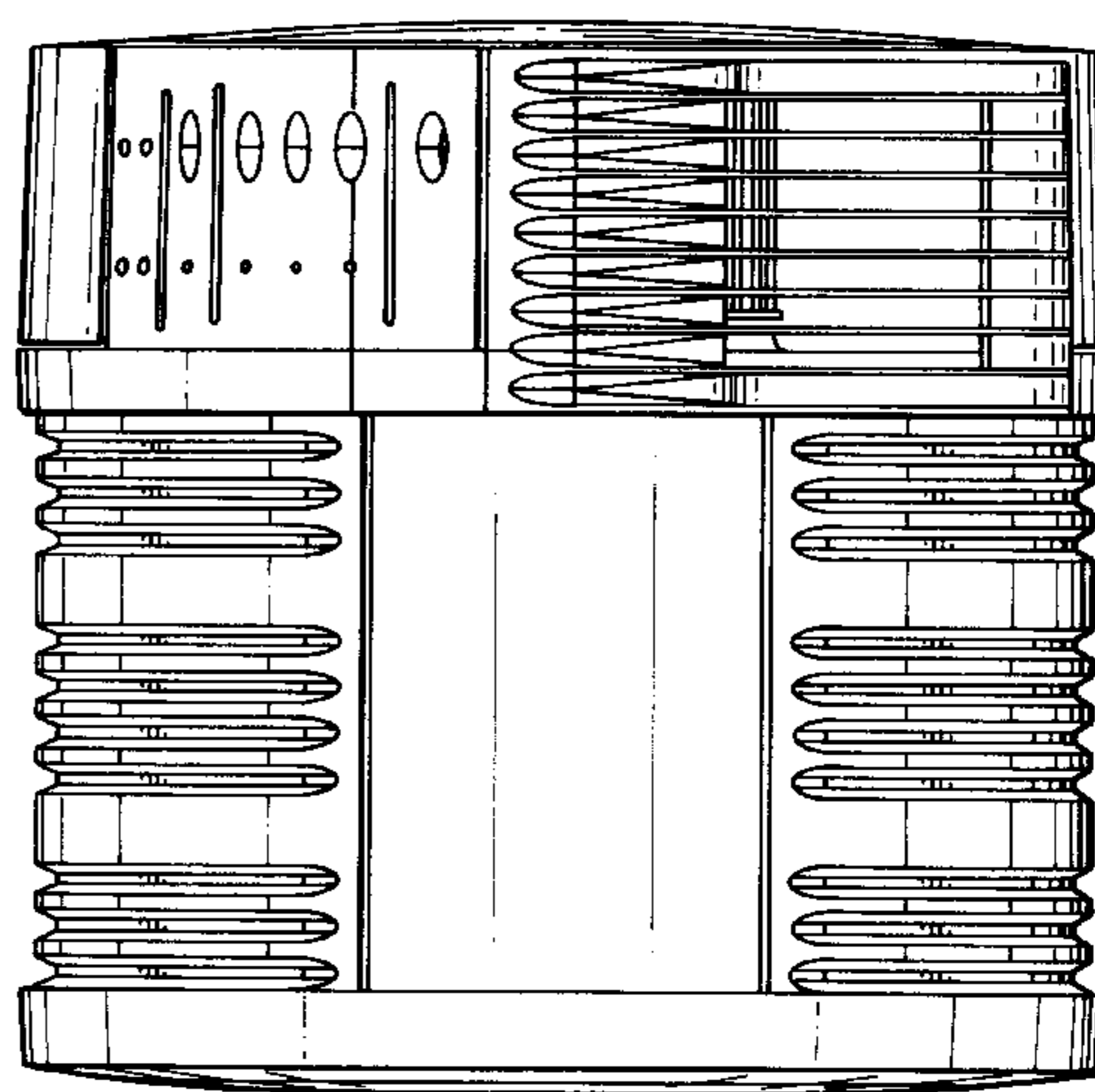
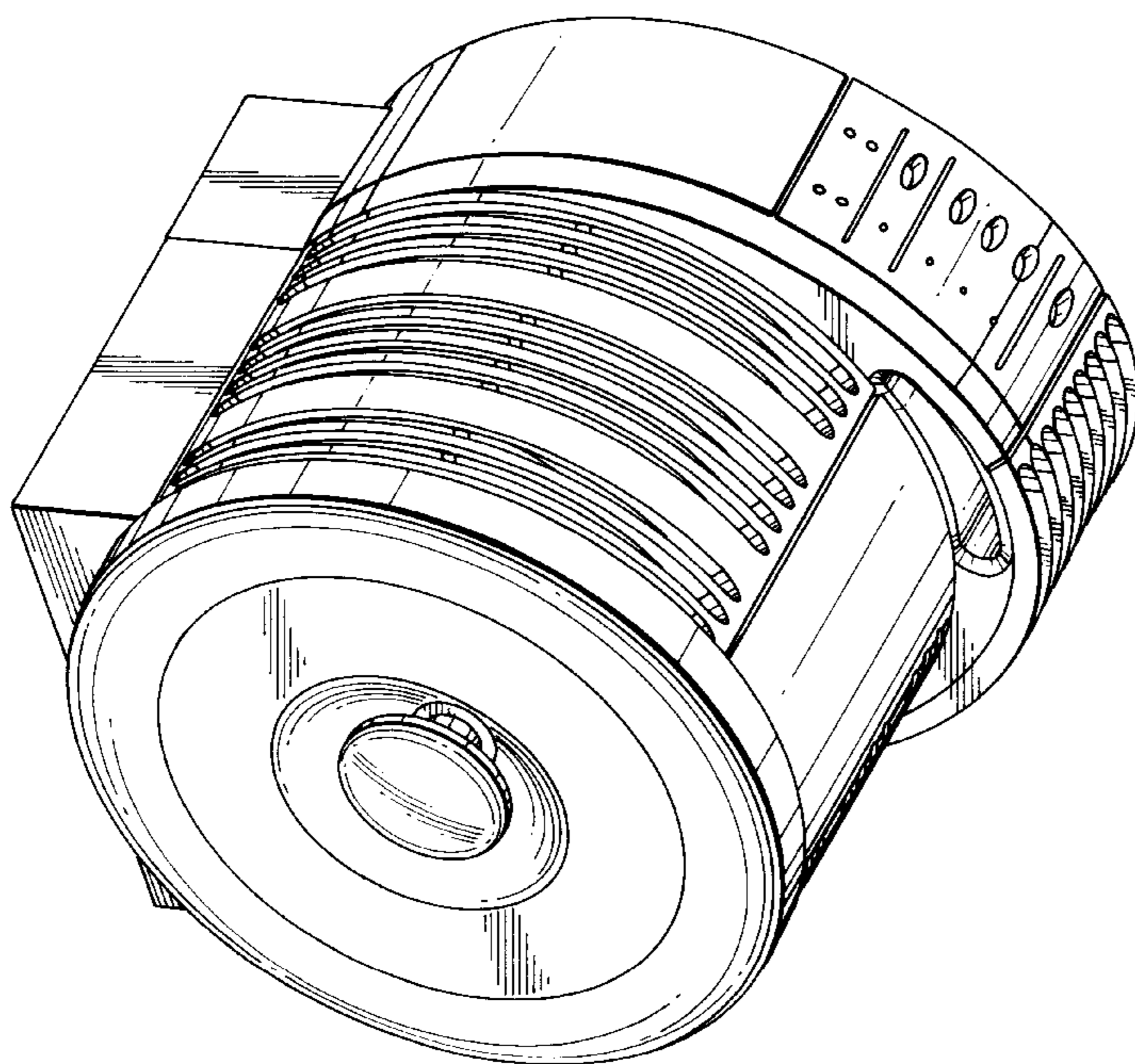
FIG. 4 is a left side elevational view of the air cleaner shown in FIG. 1.

FIG. 5 is a right side elevational view of the air cleaner shown in FIG. 1.

FIG. 6 is a top plan view of the air cleaner shown in FIG. 1; and,

FIG. 7 is a bottom plan view of the air cleaner shown in FIG. 1.

1 Claim, 7 Drawing Sheets



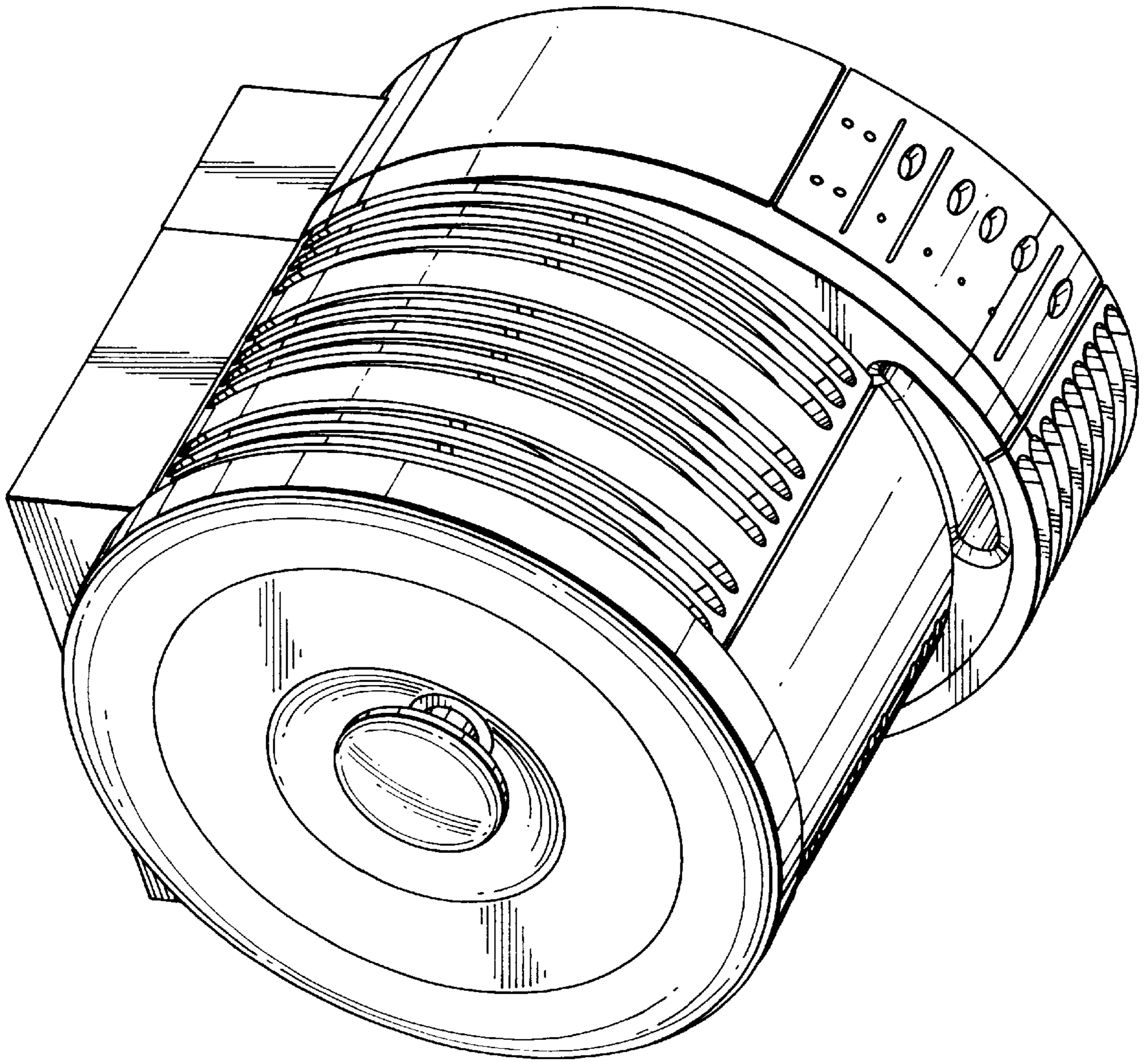


FIG. 1

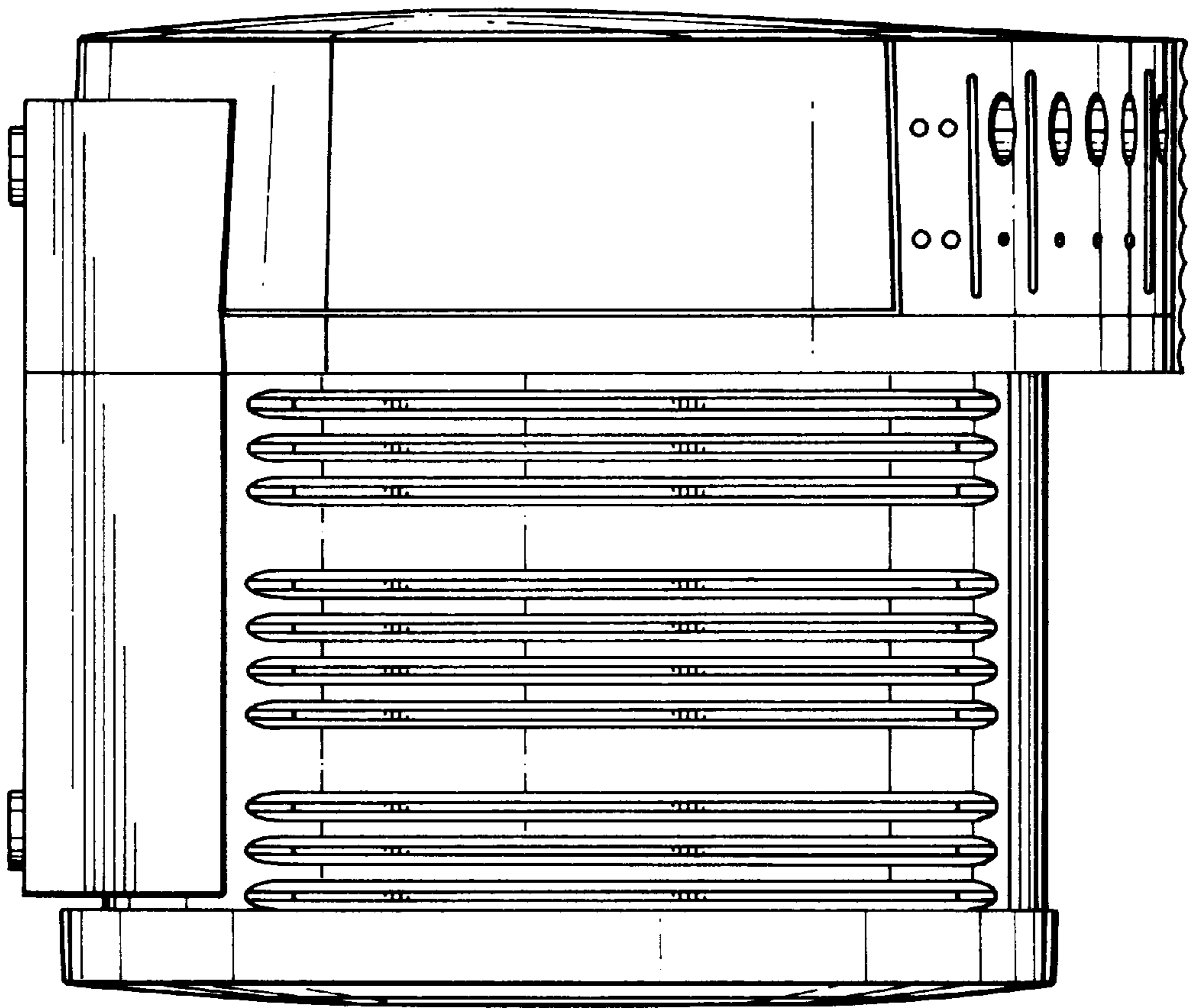


FIG. 2

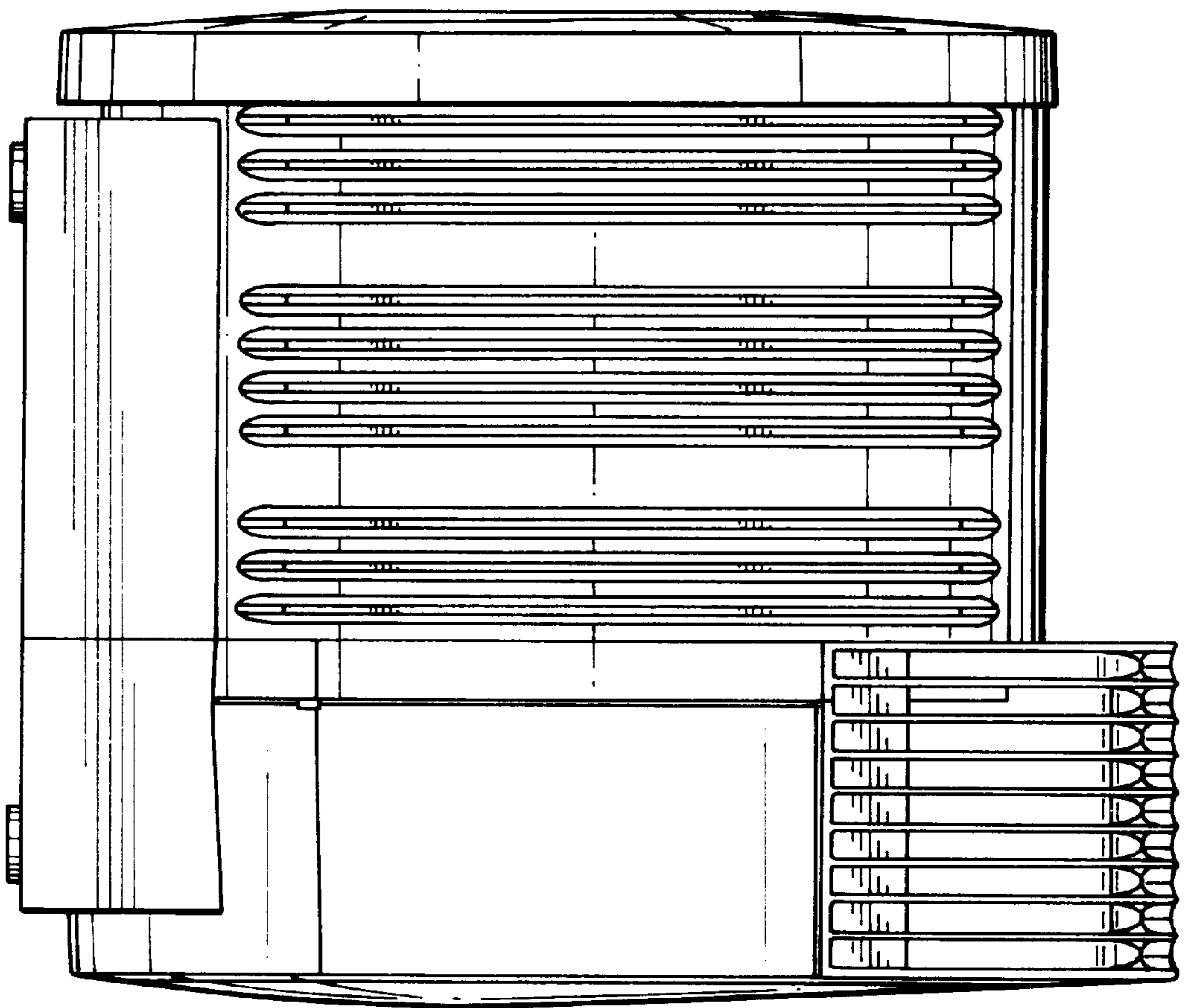


FIG. 3

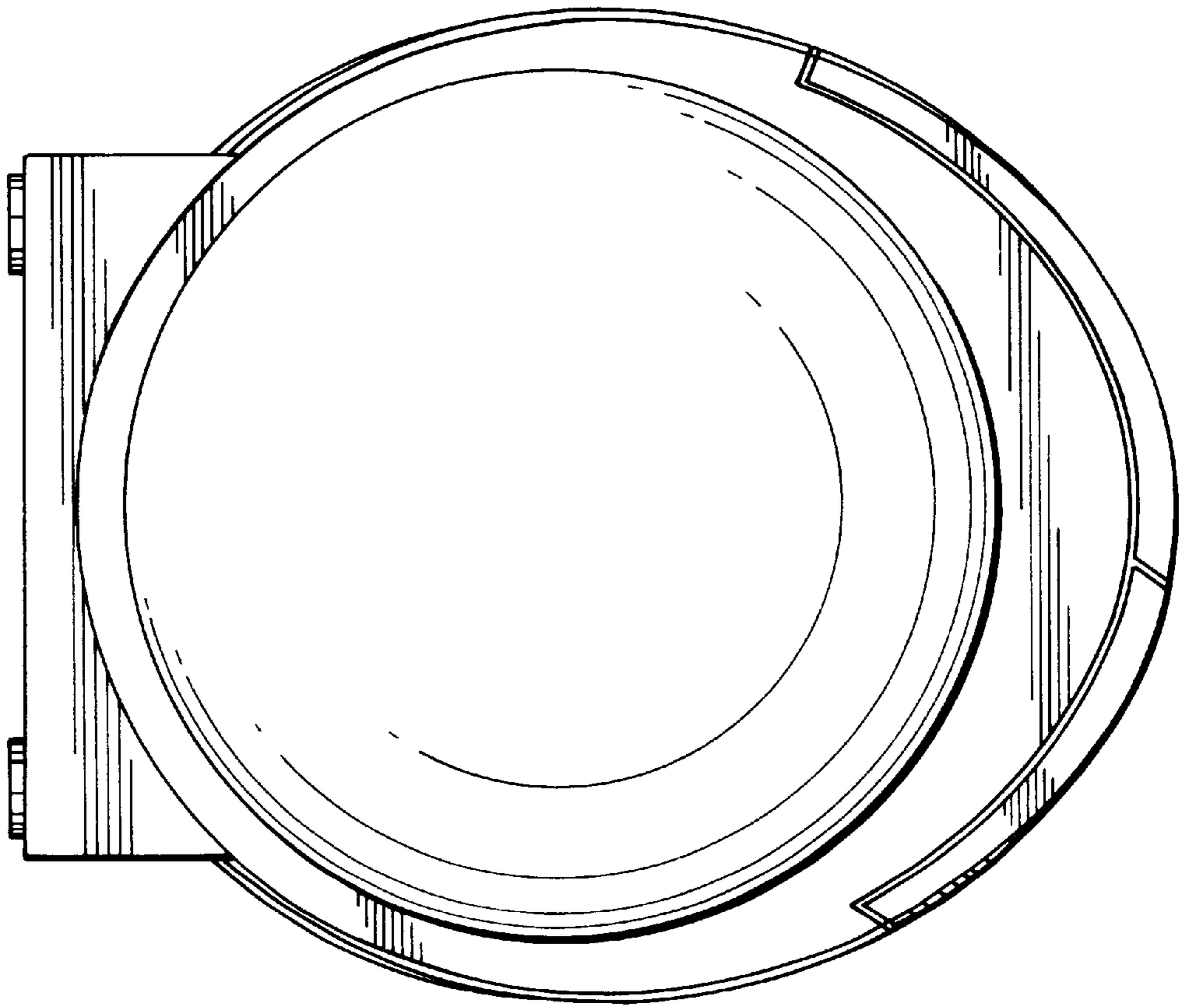


FIG. 4

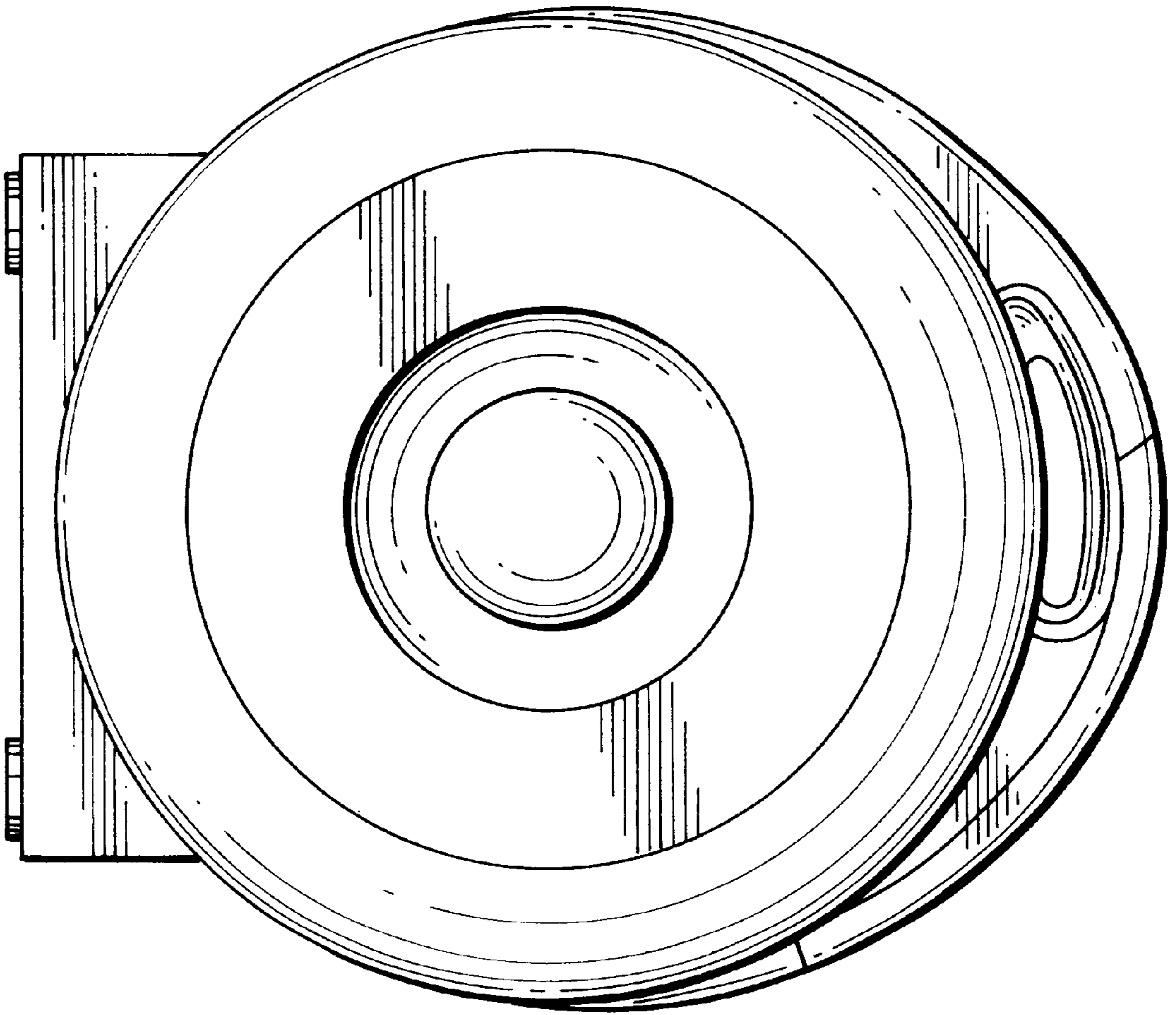


FIG. 5

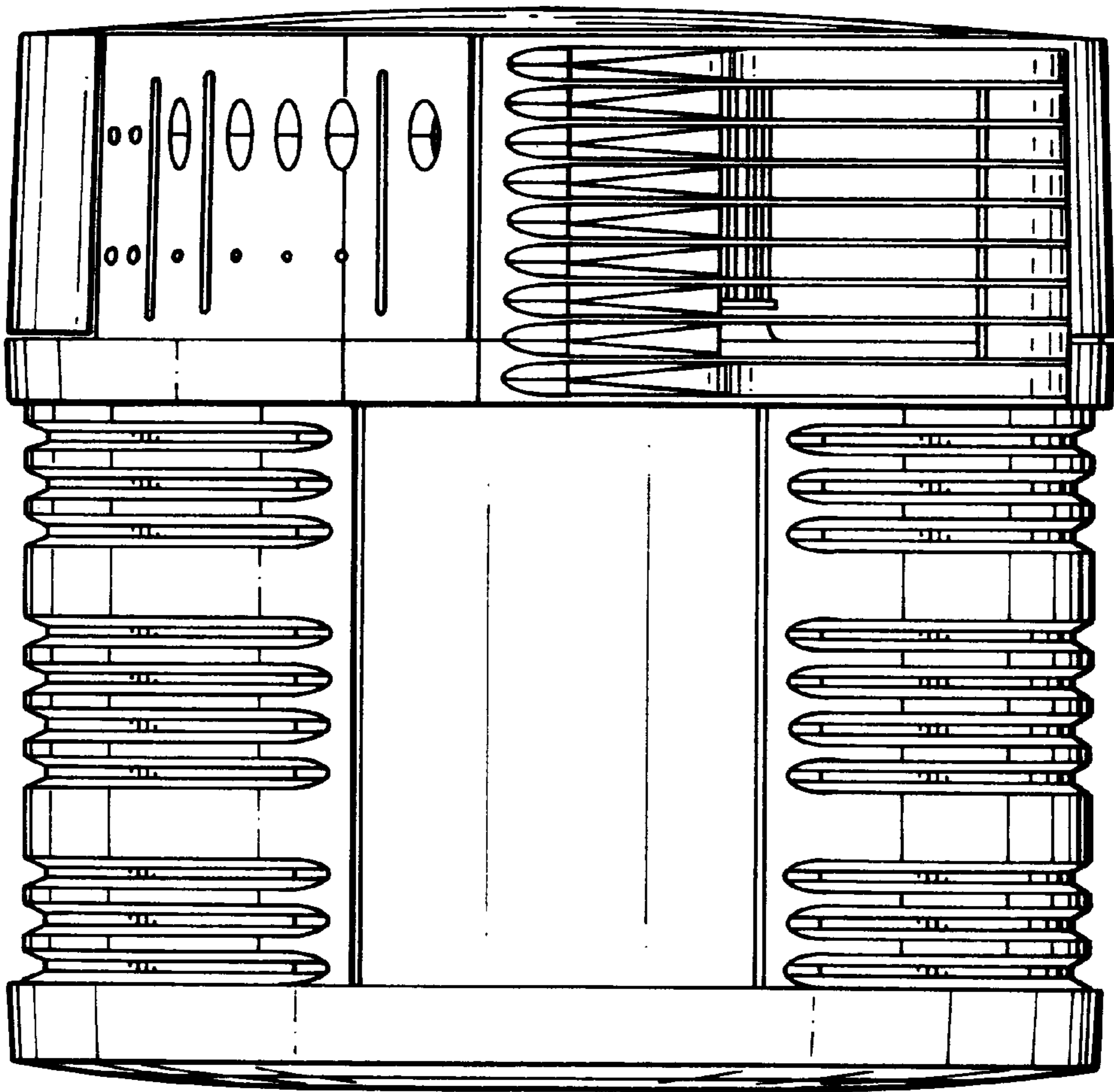


FIG. 6

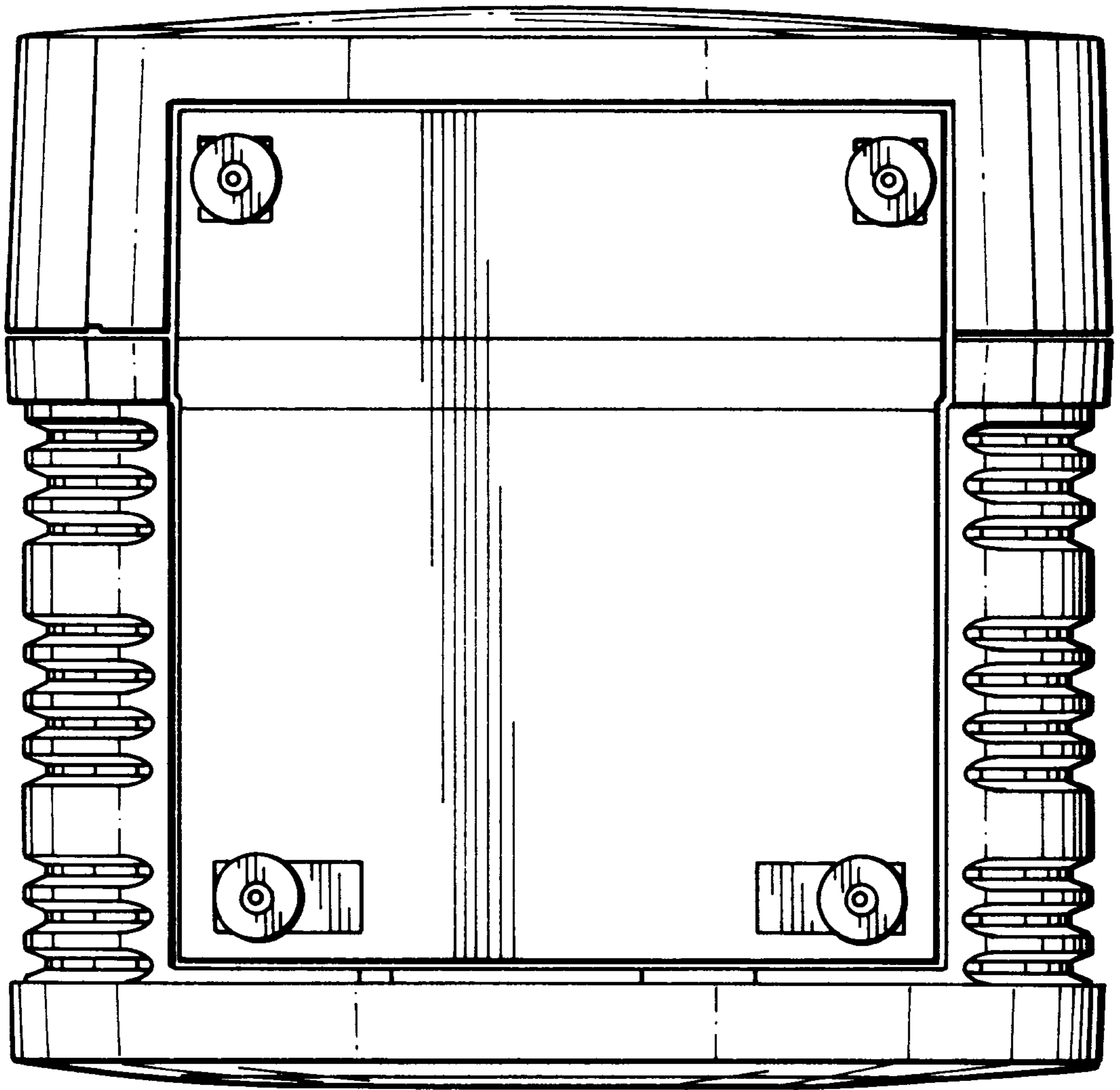


FIG. 7