



US00D416315S

United States Patent [19] Nanjo

[11] **Patent Number: Des. 416,315**

[45] **Date of Patent: ** Nov. 9, 1999**

[54] **AIR CONDITIONER**

2,323,178 6/1943 Denman .

[75] Inventor: **Satoshi Nanjo**, Kawasaki, Japan

FOREIGN PATENT DOCUMENTS

871486 3/1993 Japan .

[73] Assignee: **Fujitsu General Limited**, Kawasaki, Japan

OTHER PUBLICATIONS

[**] Term: **14 Years**

H & K General Catalog No. 95; p. 15; Perforated Metal Screen (top of page), ©1979.

[21] Appl. No.: **29/101,261**

Primary Examiner—B. J. Bullock

[22] Filed: **Mar. 1, 1999**

Attorney, Agent, or Firm—Sughrue, Mion, Zinn, Macpeak & Seas, PLLC

[30] Foreign Application Priority Data

Sep. 1, 1998 [JP] Japan 10-24935
Sep. 29, 1998 [JP] Japan 10-27587

[57] CLAIM

The ornamental design for an air conditioner, as shown and described.

[51] **LOC (6) Cl.** **23-04**

[52] **U.S. Cl.** **D23/351; D23/371**

[58] **Field of Search** D23/351-354, D23/371, 381, 385, 387, 389; 416/247 R; 454/343, 346, 234, 292; 62/262, 263, DIG. 16, 259.1; D25/153, 155; 52/663, 673

DESCRIPTION

FIG. 1 is a perspective view of the bottom, front and one side of an air conditioner showing my new design; FIG. 2 is a front elevational view, the rear elevational view being a mirror image thereof; FIG. 3 is a bottom plan view thereof; FIG. 4 is a side elevational view of said one side, the opposite side being a mirror image thereof; FIG. 5 is a top plan view thereof; and, FIG. 6 is a perspective view similar to FIG. 1 with the air flow strips pivoted to an open position thereof.

[56] References Cited

U.S. PATENT DOCUMENTS

D. 330,585 10/1992 Saito et al. D23/351
D. 331,458 12/1992 Saito et al. D23/351
D. 387,859 12/1997 Ukai et al. D23/371
D. 398,974 9/1998 Aihara D23/351
D. 401,682 11/1998 Galeazzi et al. D23/351

1 Claim, 4 Drawing Sheets

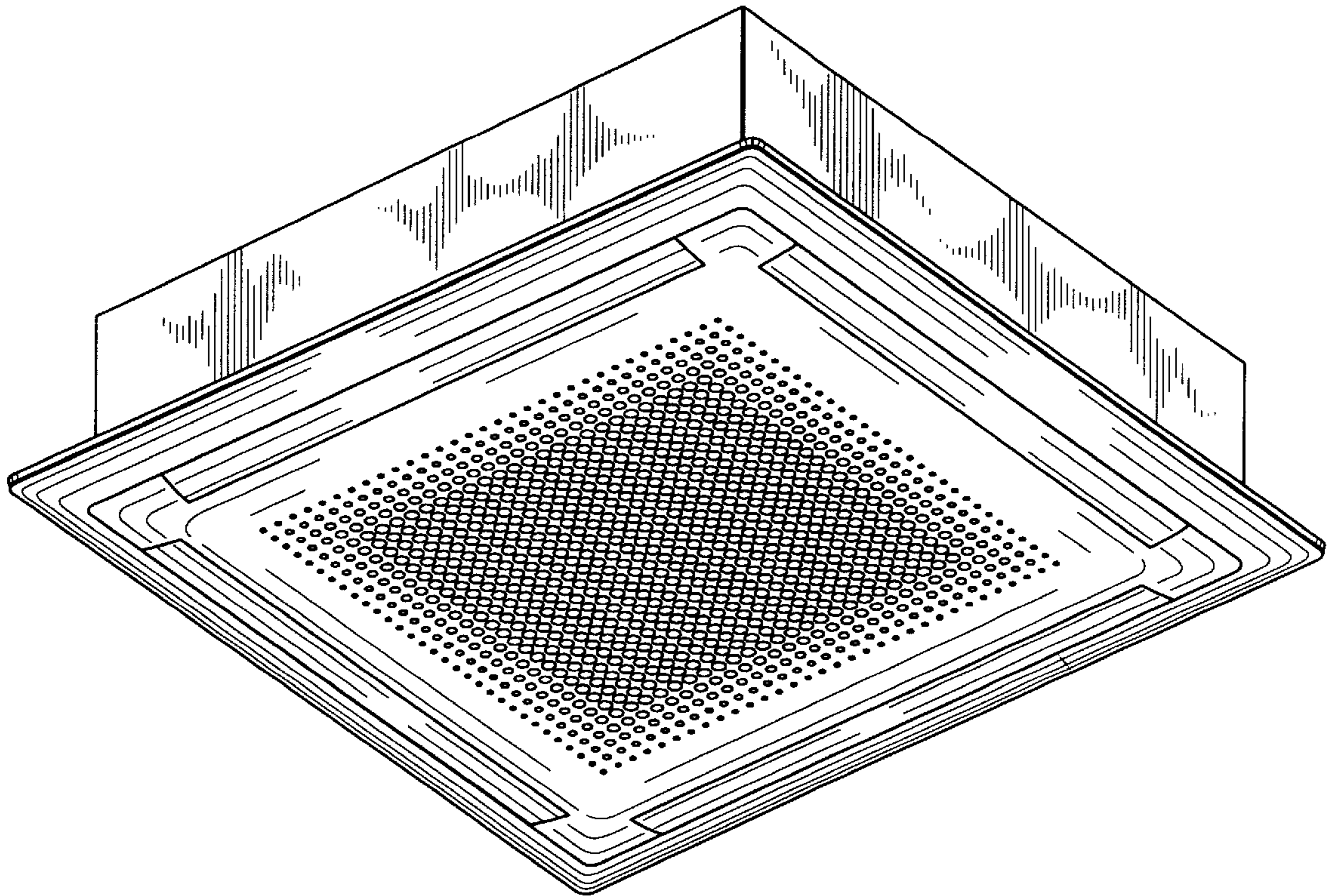


FIG. 1

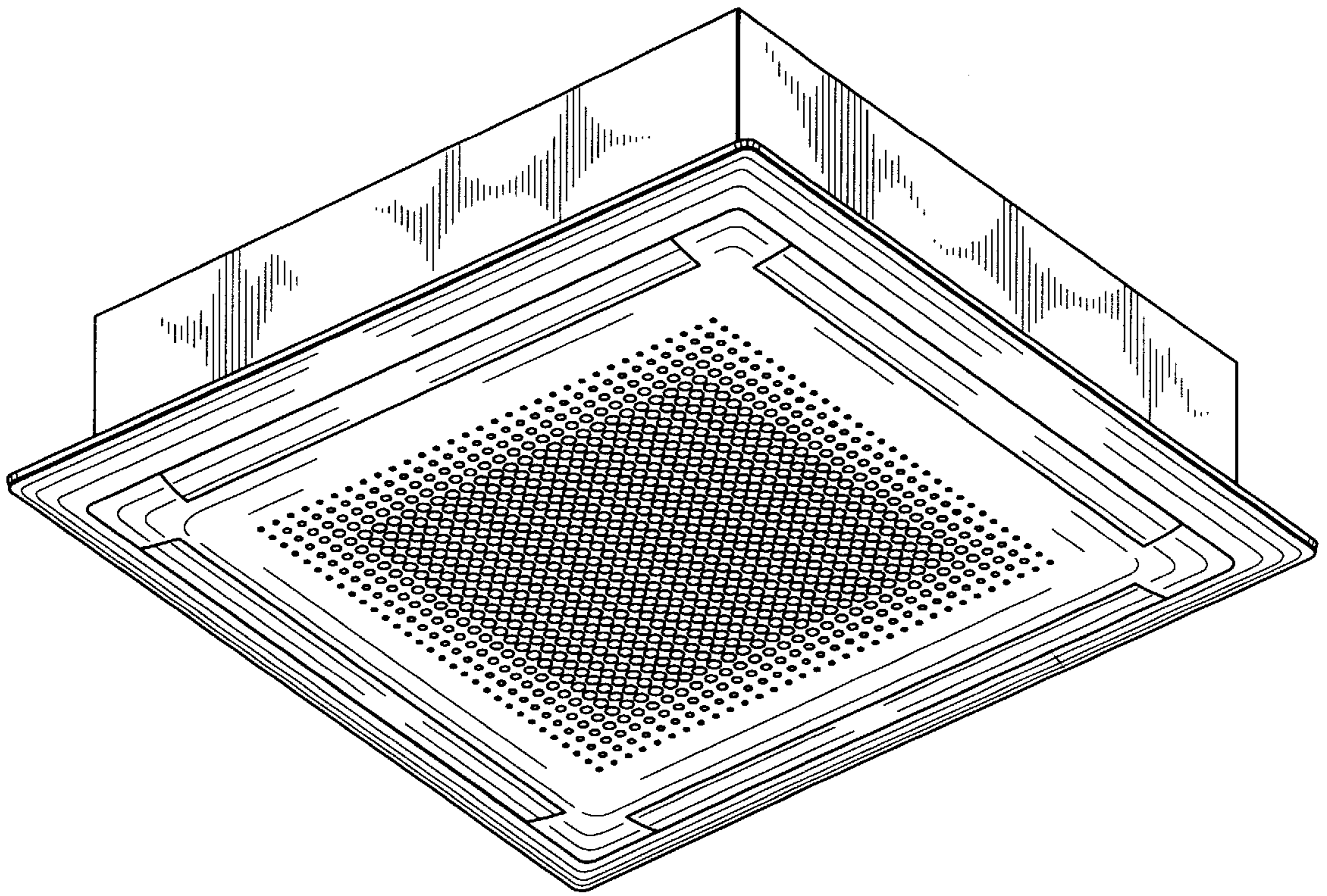


FIG. 2

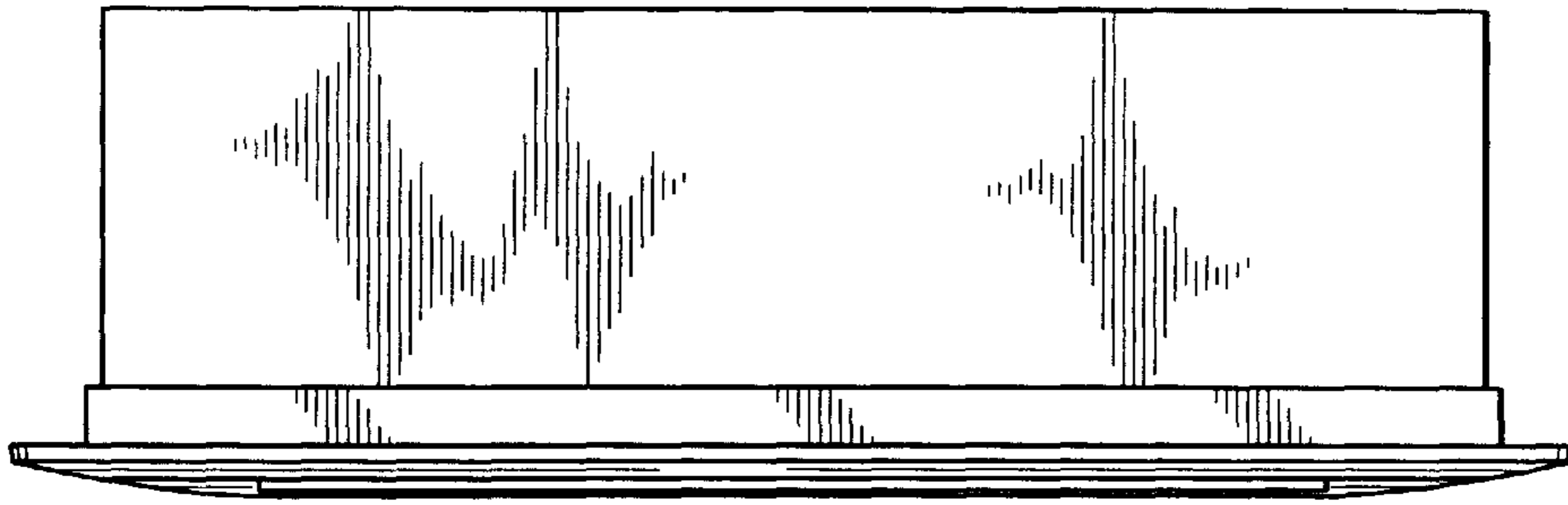


FIG. 3

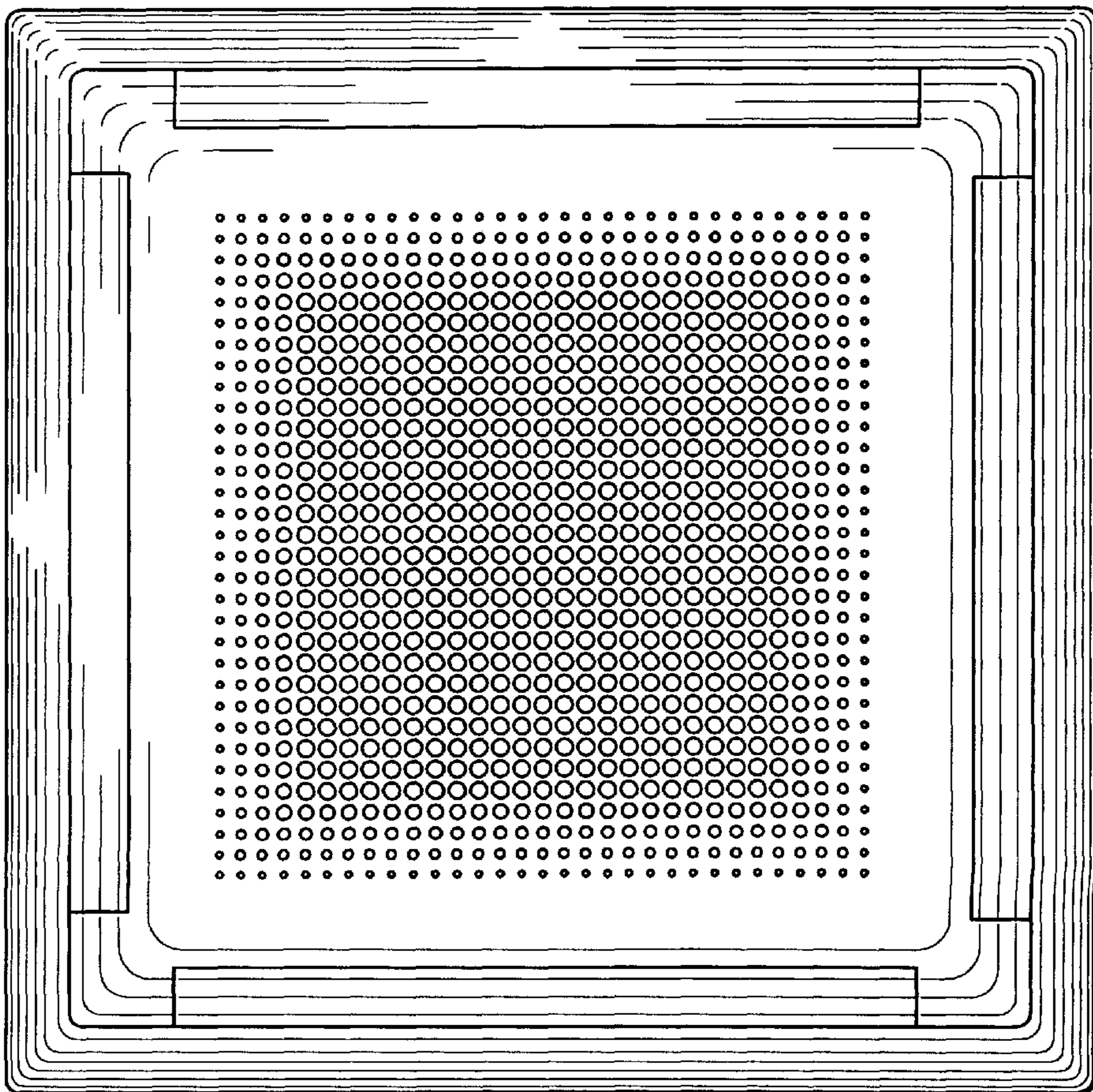


FIG. 5

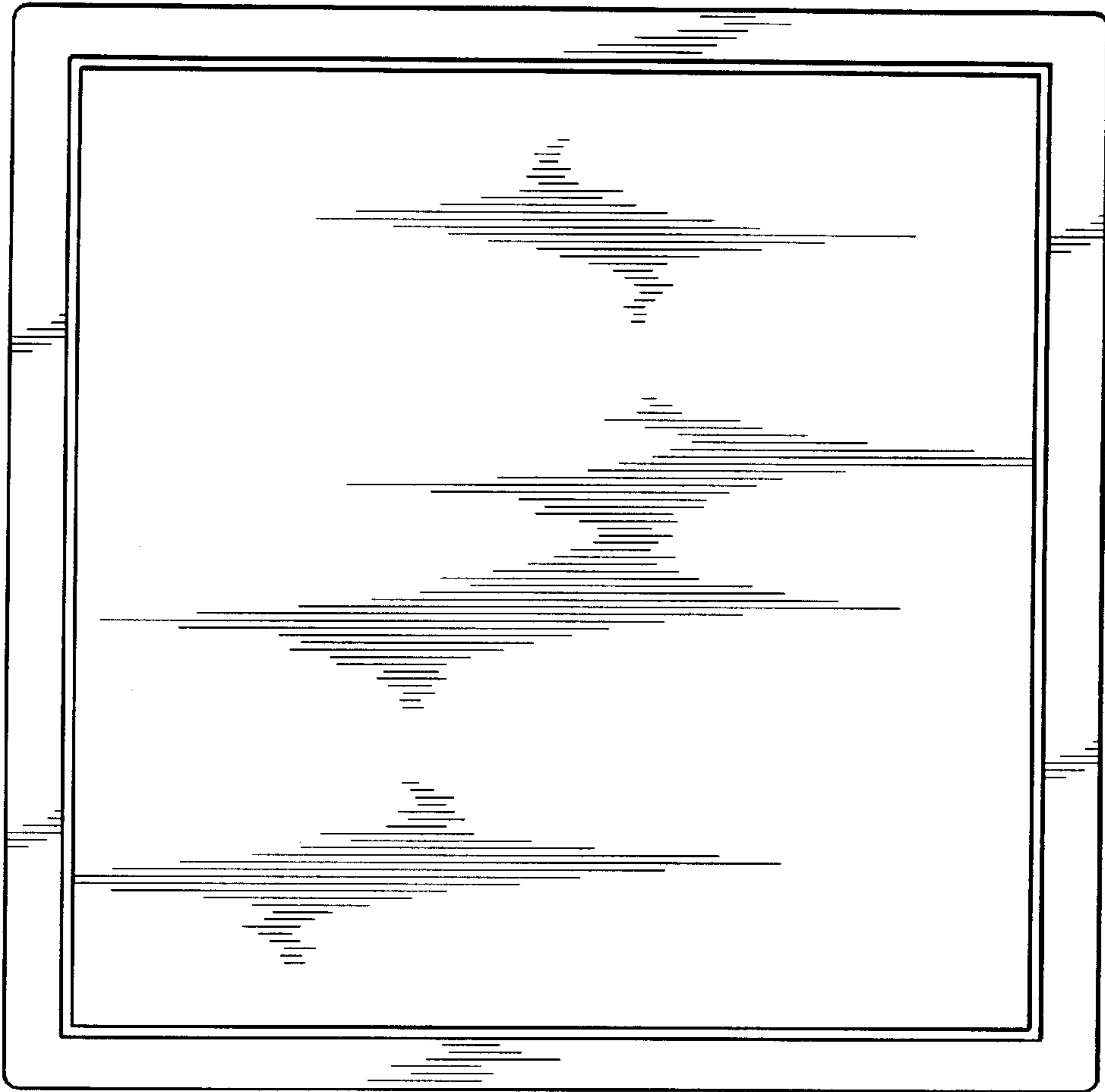


FIG. 4

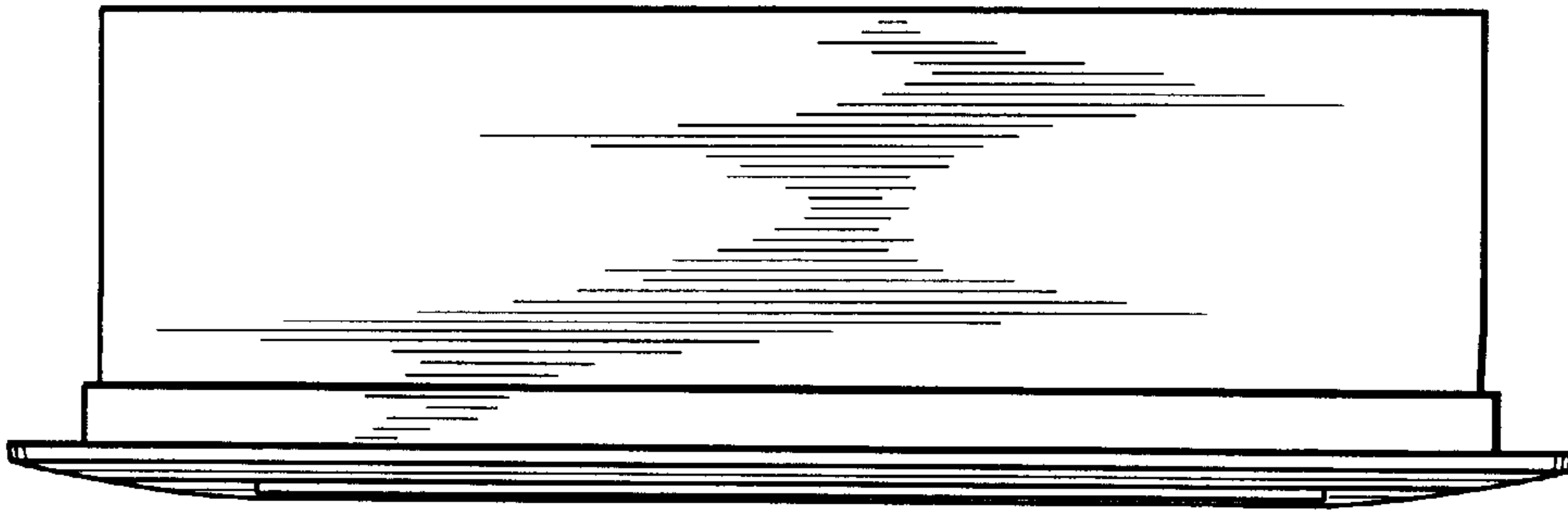


FIG. 6

