



US00D416311S

United States Patent [19]
Fleischmann

[11] **Patent Number: Des. 416,311**
[45] **Date of Patent: ** Nov. 9, 1999**

[54] **FAUCET**

[75] Inventor: **Klaus Fleischmann**, Krefeld, Germany

[73] Assignee: **Hansa Metallwerke AG**, Germany

[*] Notice: This patent is subject to a terminal disclaimer.

[**] Term: **14 Years**

[21] Appl. No.: **29/082,231**

[22] Filed: **Jan. 17, 1998**

[30] **Foreign Application Priority Data**

Jul. 17, 1997 [DE] Germany M 97 06 514

[51] **LOC (6) Cl.** **23-01**

[52] **U.S. Cl.** **D23/238**

[58] **Field of Search** D23/238-243,
D23/250-257; 4/675-678; 137/801

[56] **References Cited**

U.S. PATENT DOCUMENTS

- D. 312,119 11/1990 Bergmann D23/238
- D. 315,194 3/1991 Hang et al. D23/238
- D. 339,848 9/1993 Gottwald D23/241
- D. 366,097 1/1996 Gottwald D23/238

D. 375,784 11/1996 Gottwald D23/238

Primary Examiner—Doris Clark
Assistant Examiner—Eric Watterson

[57] **CLAIM**

I claim ornamental design for a faucet design, as shown and described.

DESCRIPTION

FIG. 1 is a left side elevation of a first embodiment of a faucet showing my new design the opposite side being a mirror image thereof.

FIG. 2 is a right side elevation thereof.

FIG. 3 is a front view thereof.

FIG. 4 is a rear view thereof.

FIG. 5 is a top view thereof.

FIG. 6 is a bottom view thereof.

FIG. 7 is a perspective view thereof.

FIG. 8 is a left side elevation of a second embodiment of a faucet showing my new design, the opposite side being a mirror image thereof.

FIG. 9 is a front view thereof.

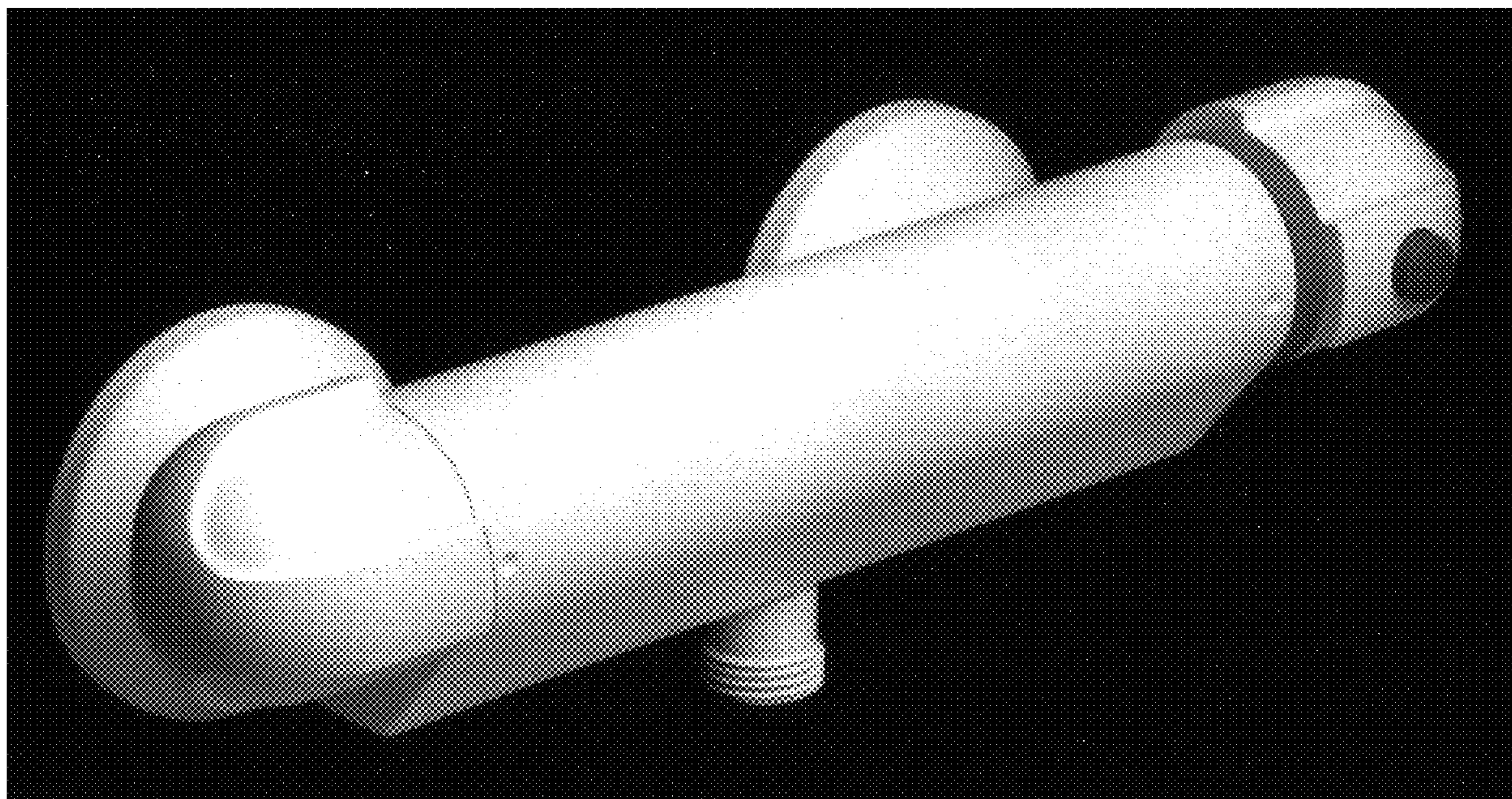
FIG. 10 is a rear view thereof.

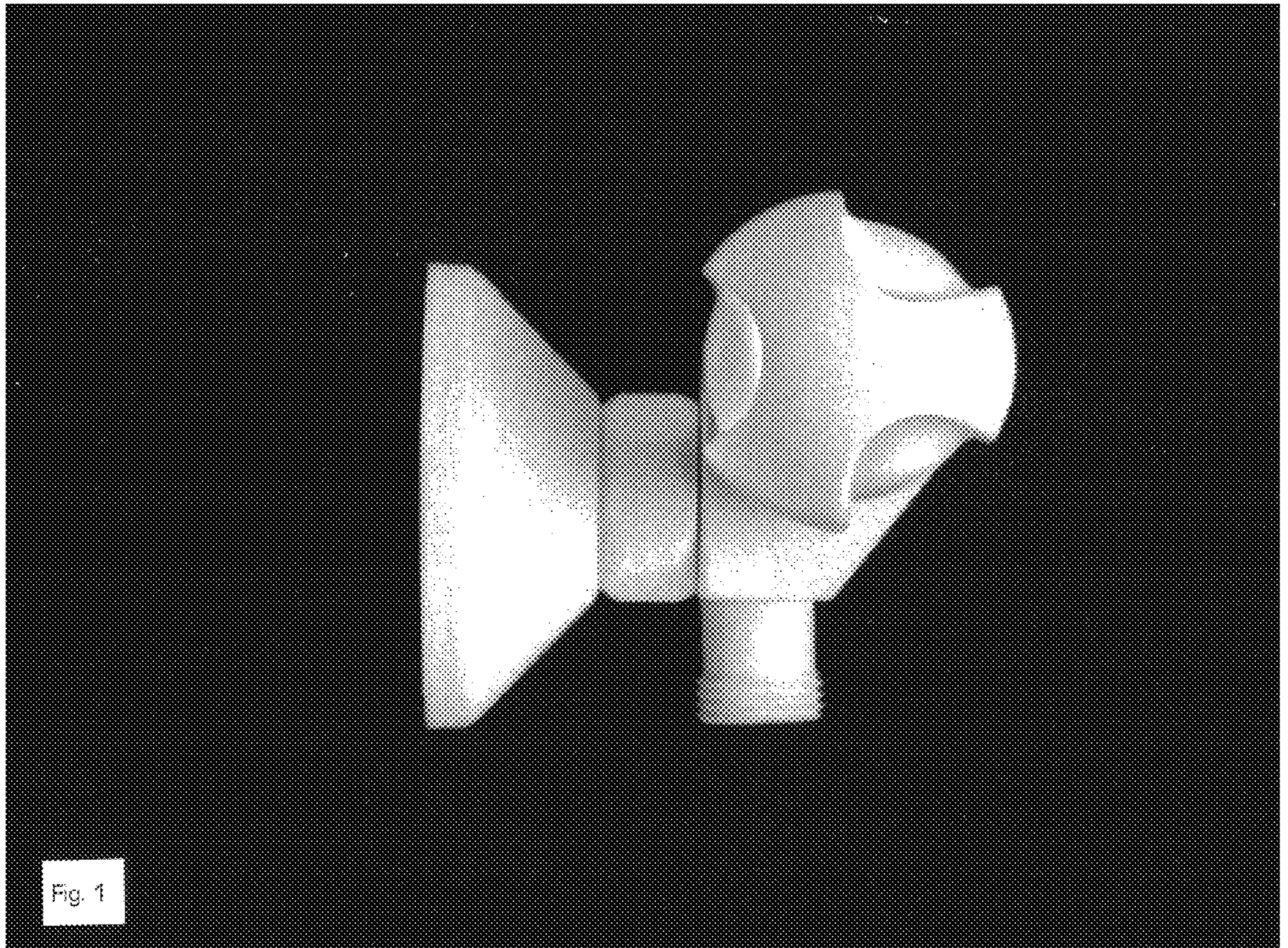
FIG. 10 is a rear view thereof.

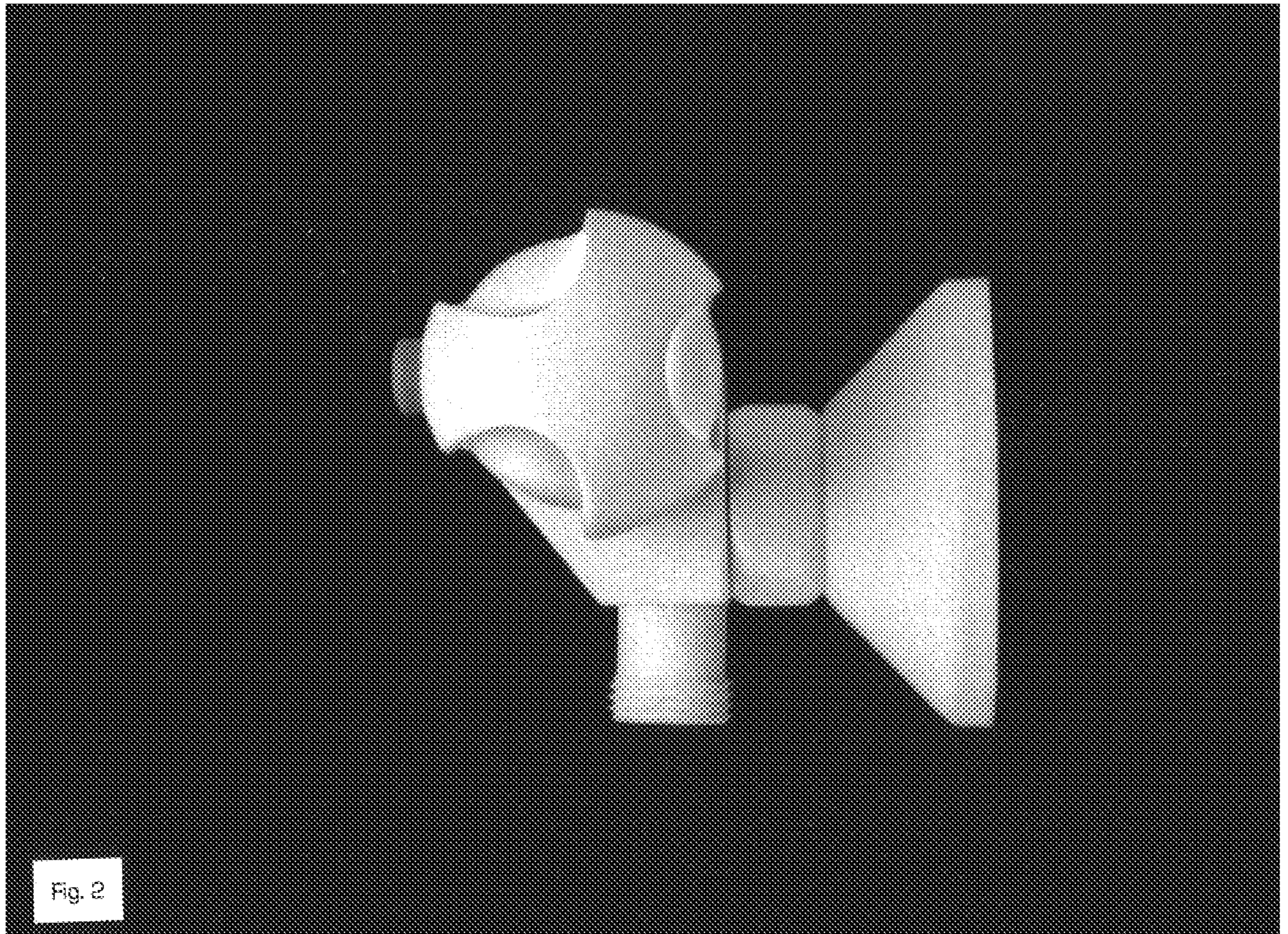
FIG. 12 is a bottom view thereof; and,

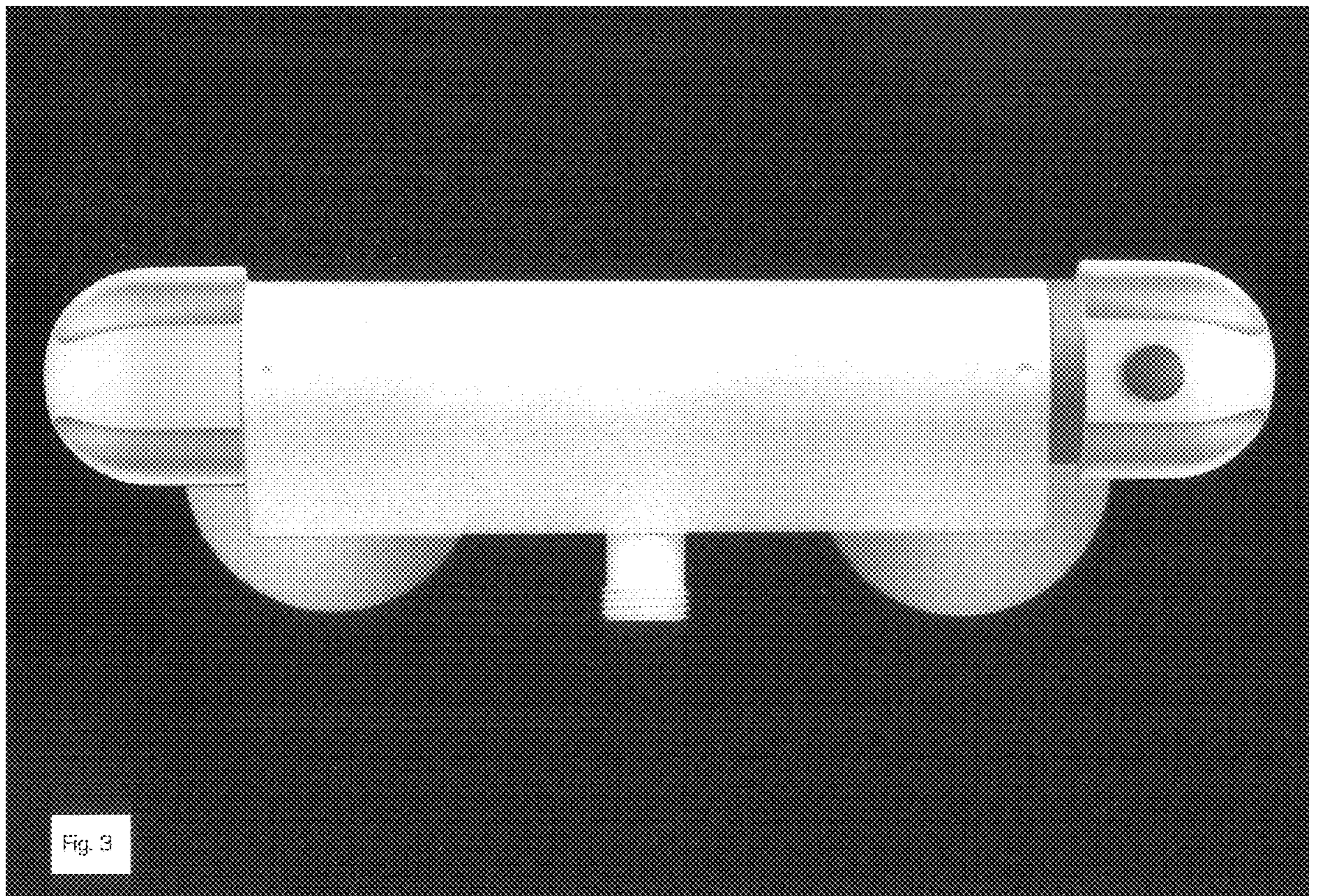
FIG. 13 is a perspective view thereof.

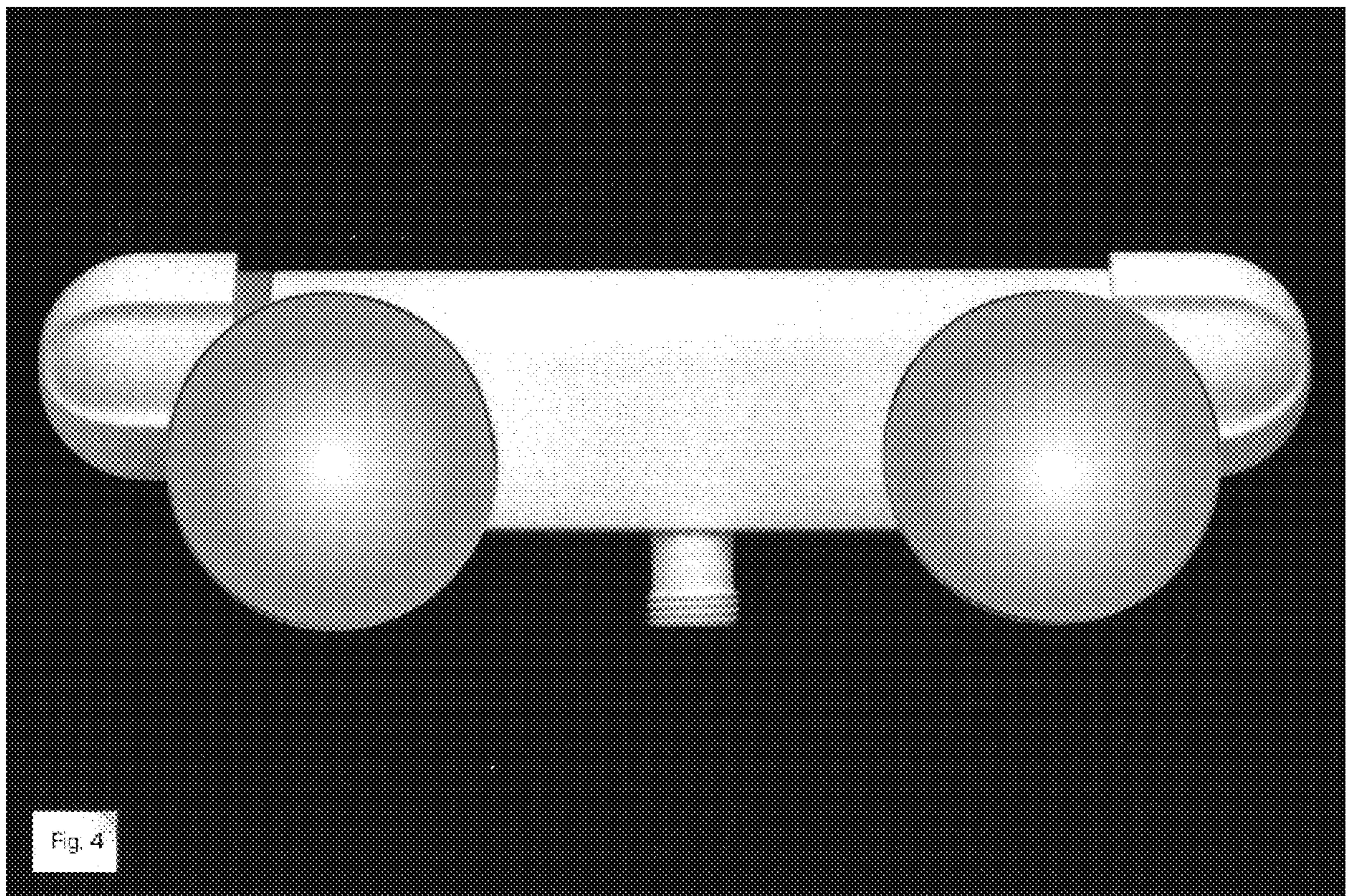
1 Claim, 13 Drawing Sheets

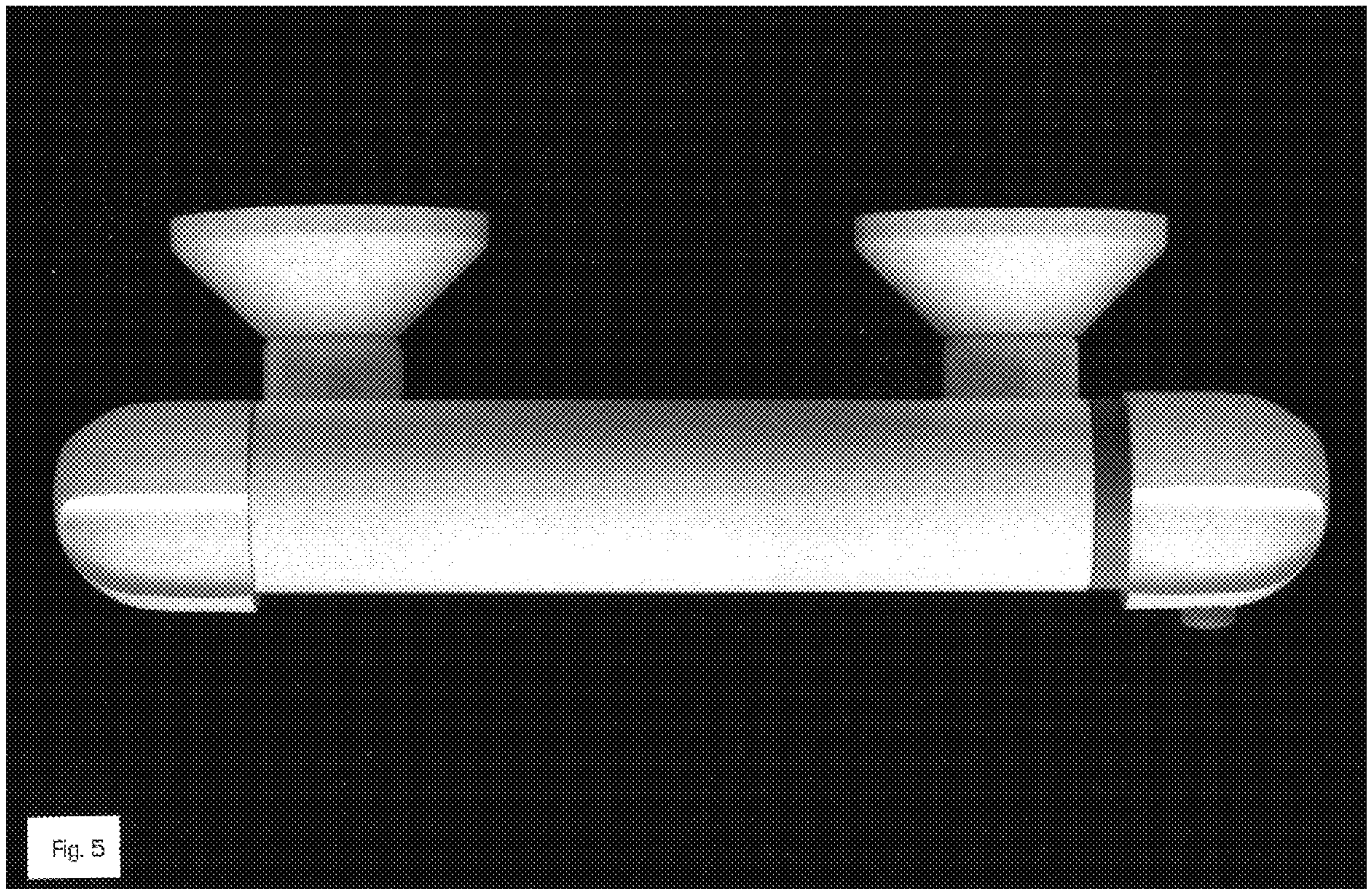


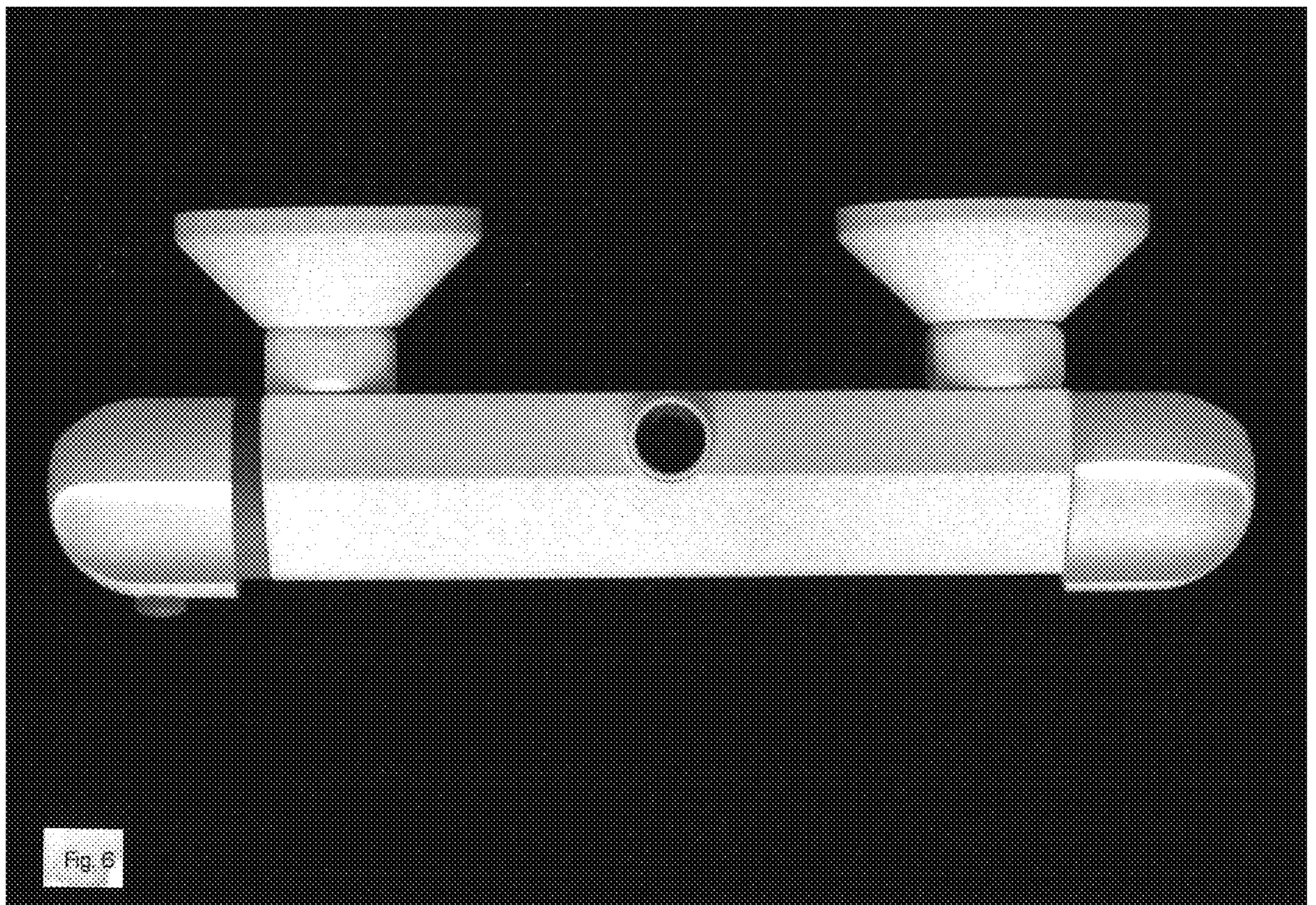


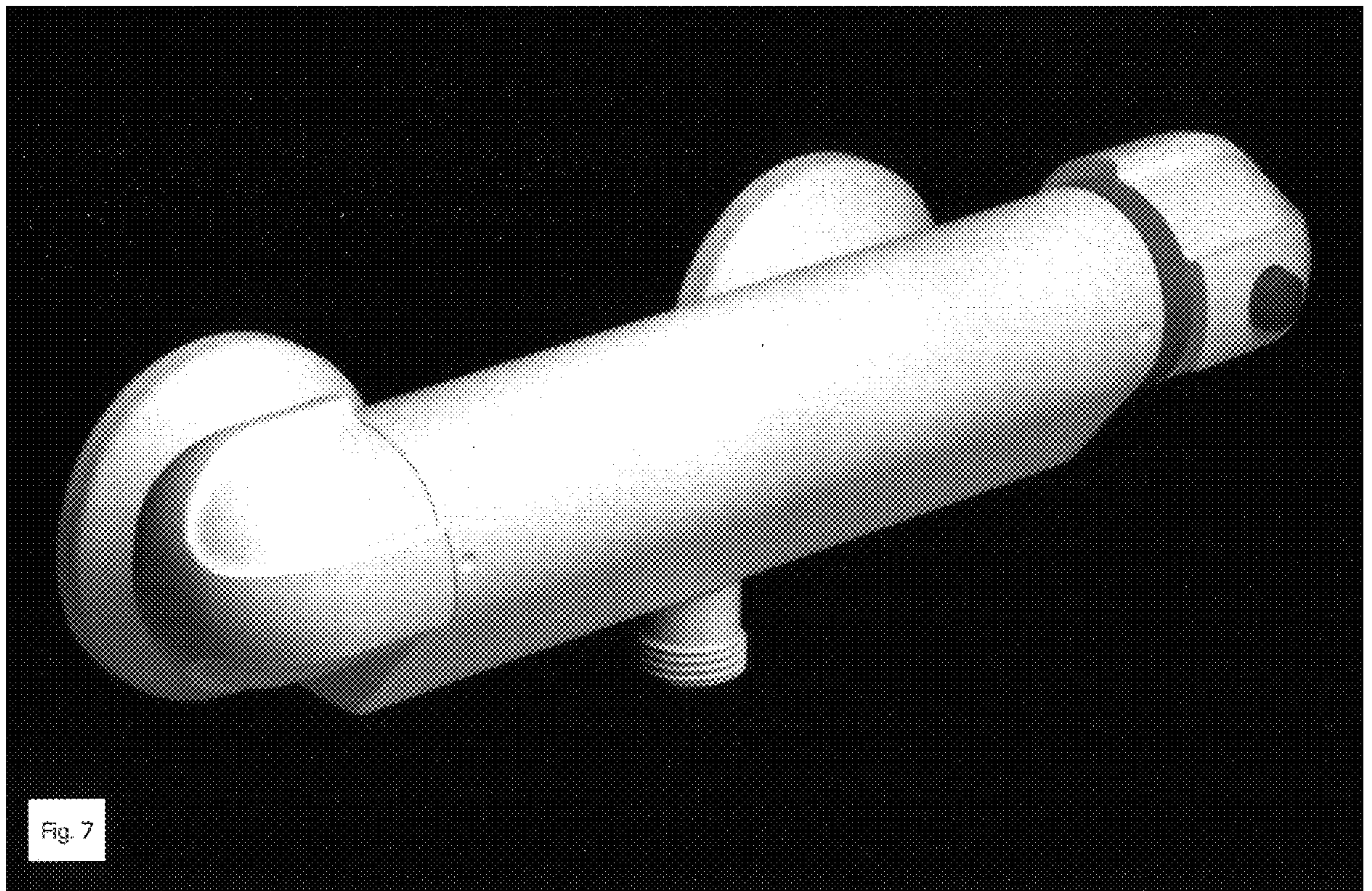


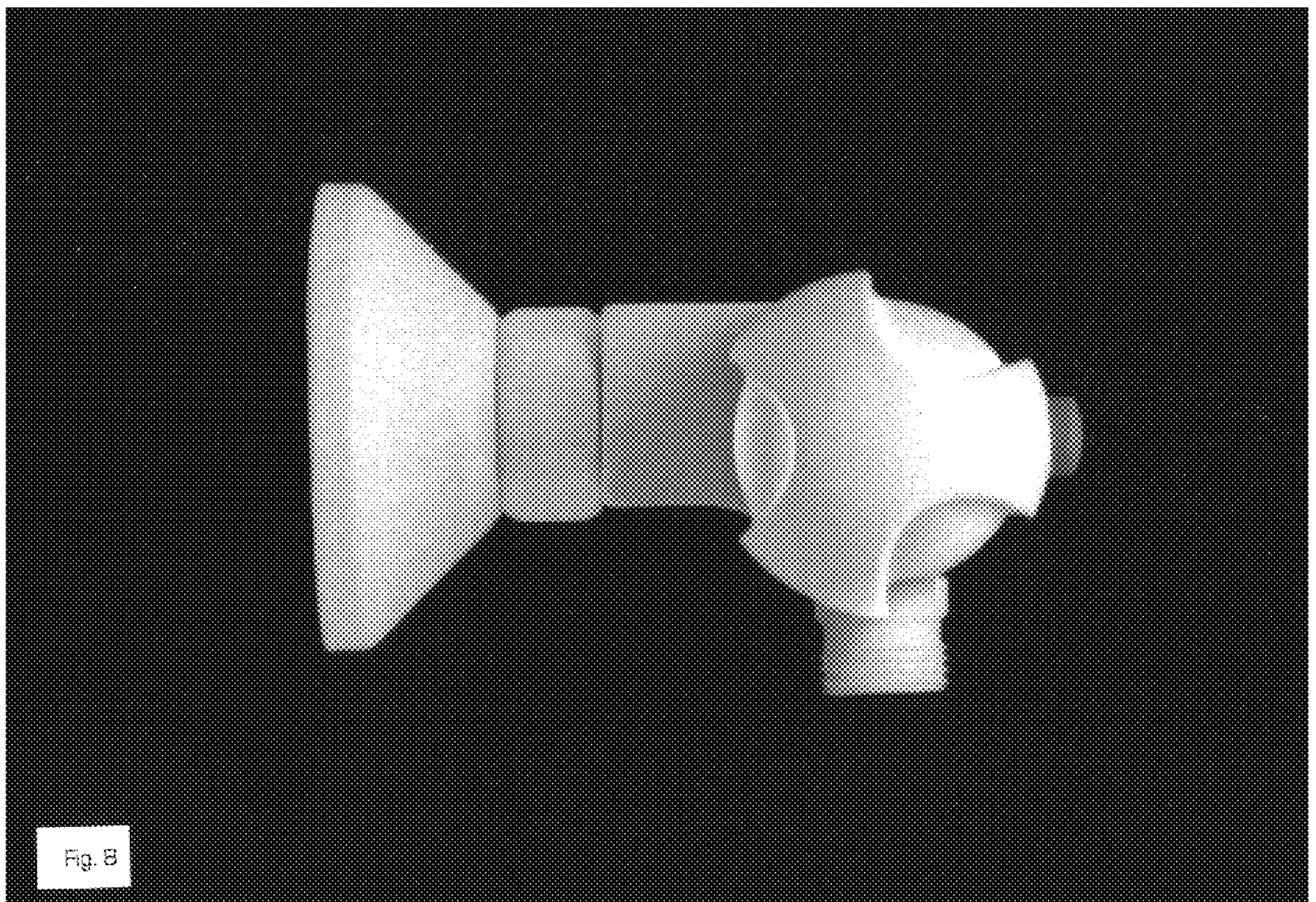


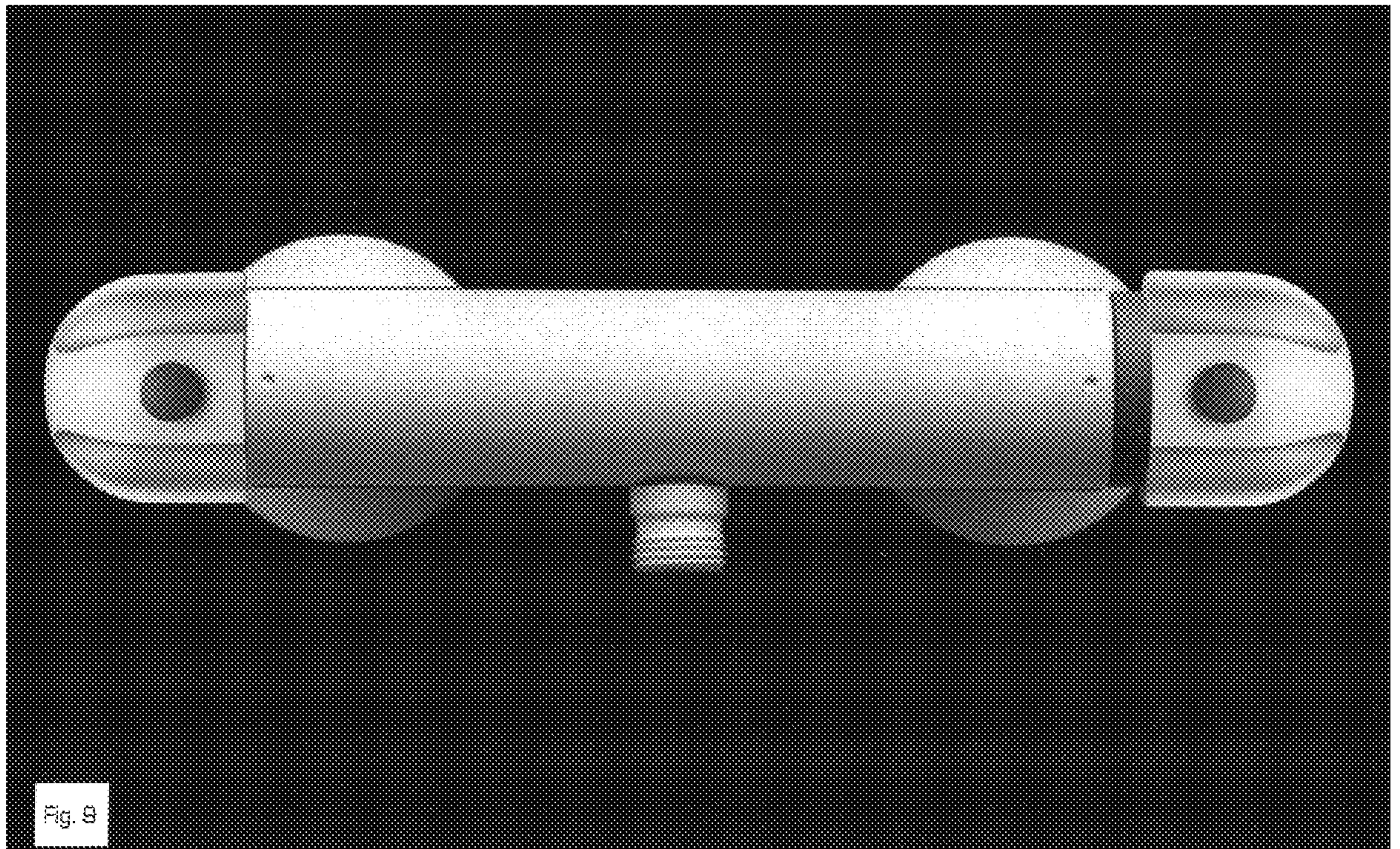


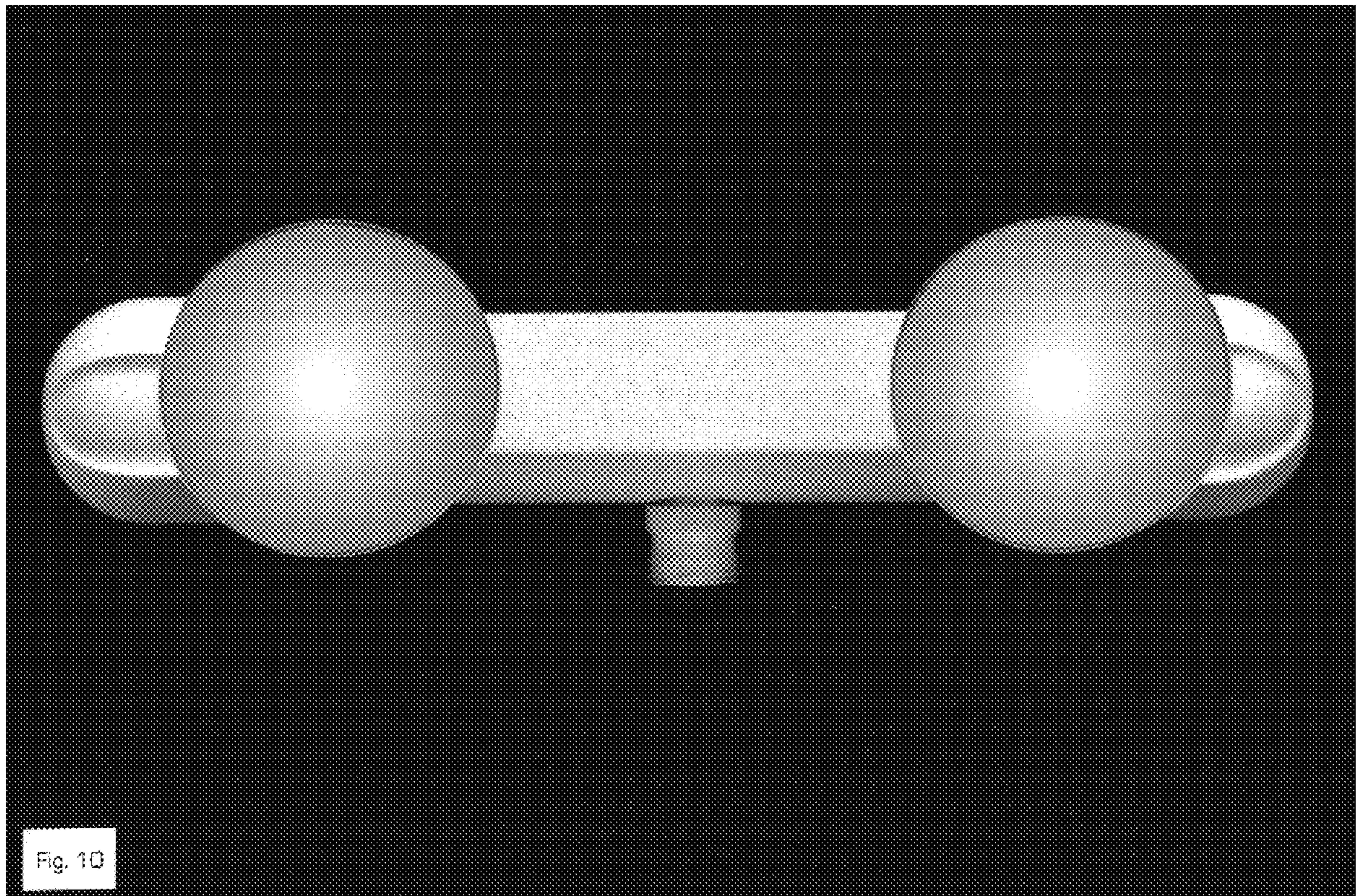


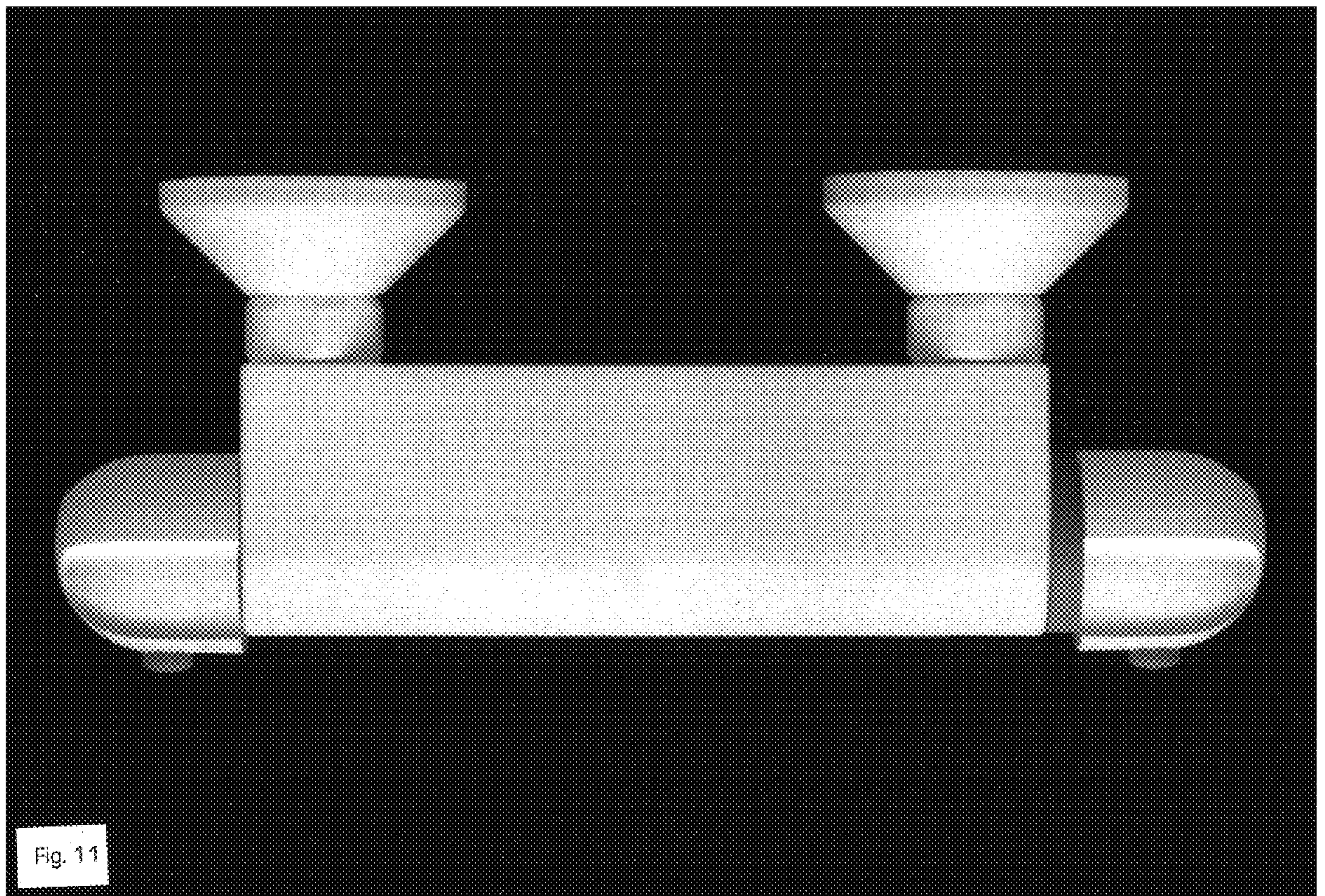












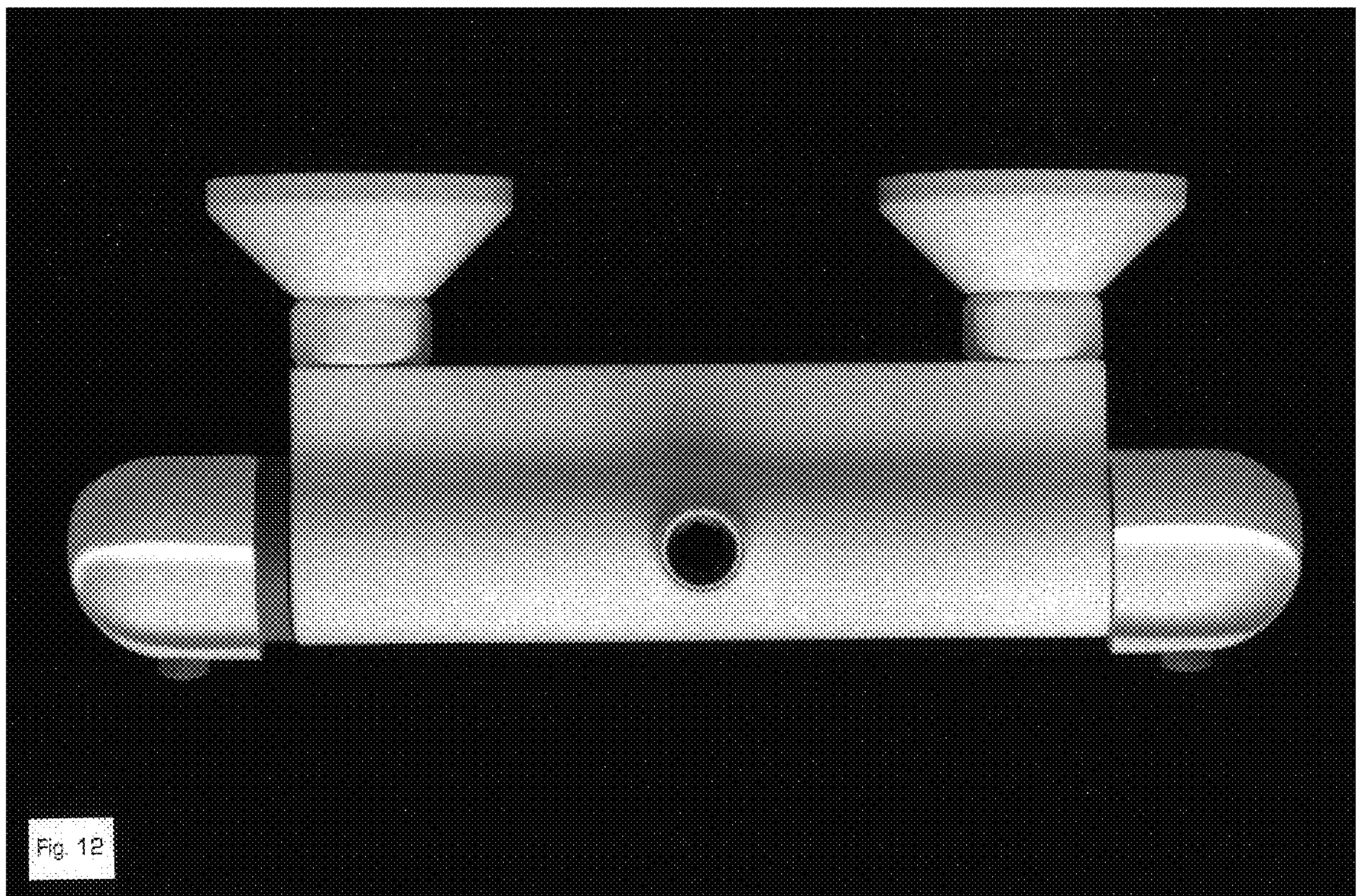


Fig. 12

