



US00D416306S

United States Patent [19]
Herdman

[11] **Patent Number: Des. 416,306**

[45] **Date of Patent: ** Nov. 9, 1999**

[54] **TABLE WATER FOUNTAIN**

[75] Inventor: **Robert Herdman**, Mountain View, Calif.

[73] Assignee: **Art Matters**, Mountain View, Calif.

[**] Term: **14 Years**

[21] Appl. No.: **29/091,907**

[22] Filed: **Aug. 7, 1998**

[51] **LOC (6) Cl.** **23-01**

[52] **U.S. Cl.** **D23/201**

[58] **Field of Search** D23/200, 201;
D20/10, 41; 40/607, 608; 239/16, 17, 18,
19, 20, 21

[56] **References Cited**

U.S. PATENT DOCUMENTS

D. 192,406	3/1962	Coates	D23/201
D. 233,272	10/1974	King	D23/201
D. 339,843	9/1993	Nash	D23/201
D. 362,465	9/1995	Gallemore	D20/41
D. 367,078	2/1996	Oakley	D20/41
5,340,065	8/1994	Thomas	40/607

Primary Examiner—Robin V. Taylor
Attorney, Agent, or Firm—Limbach & Limbach LLP

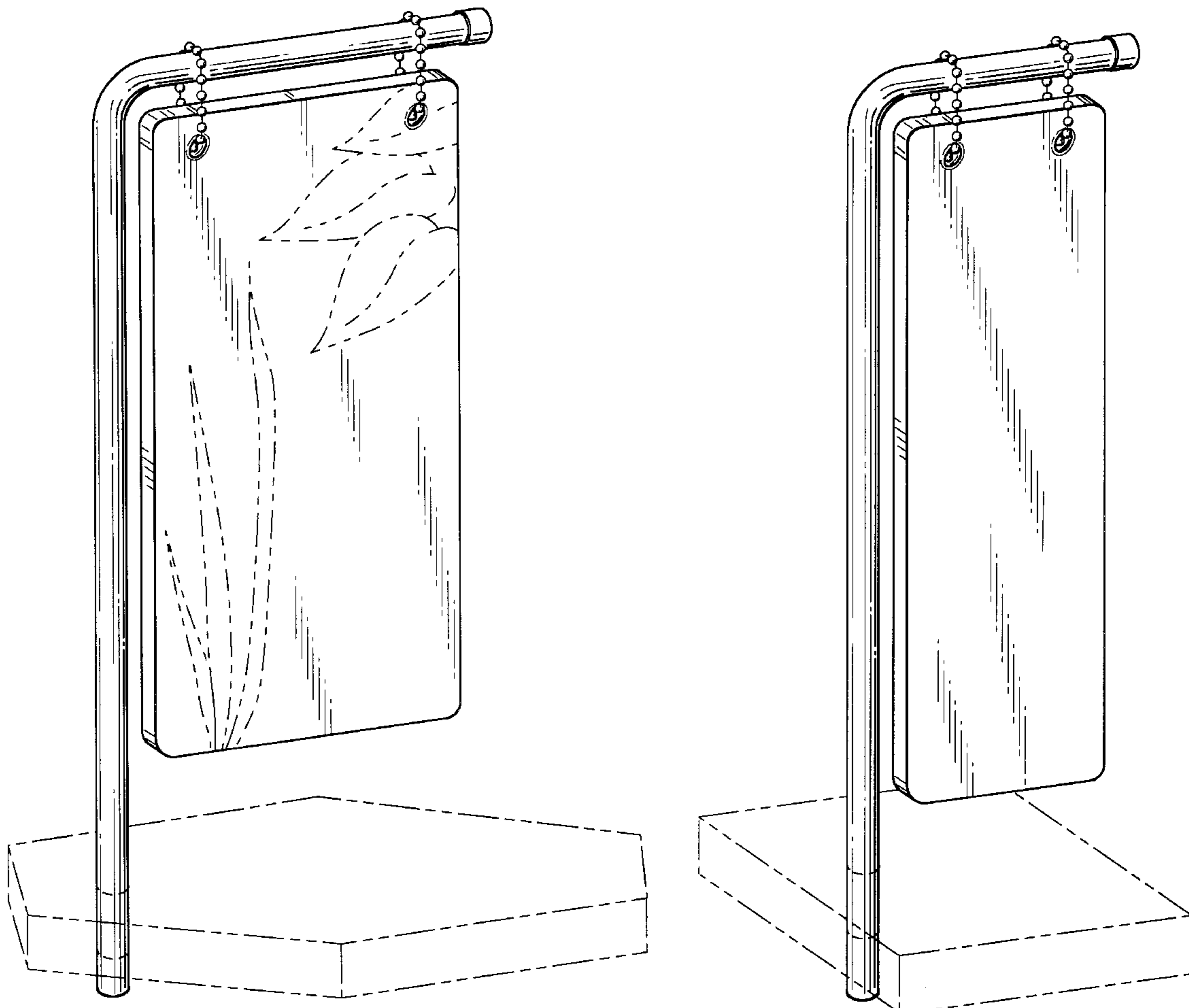
[57] **CLAIM**

The ornamental design for a table water fountain, as shown and described.

DESCRIPTION

FIG. 1 is a perspective view of the present invention; FIG. 2 is a front view of the FIG. 1 embodiment, the rear view being a mirror image thereof; FIG. 3 is a left side view of the embodiment in FIG. 2; FIG. 4 is a right side view of the embodiment shown in FIG. 2; FIG. 5 is a top view of the embodiment shown in FIG. 2; FIG. 6 is a bottom view of the embodiment of FIG. 2; FIG. 7 is a perspective view of an alternate embodiment thereof with the only difference being in the proportion; FIG. 8 is a front view thereof; FIG. 9 is a perspective view of a further alternate embodiment thereof with the only difference being in the proportion; and, FIG. 10 is a front view thereof. The broken line showing in FIGS. 1 and 7 is for illustrative purposes only and forms no part of the claimed design.

1 Claim, 4 Drawing Sheets



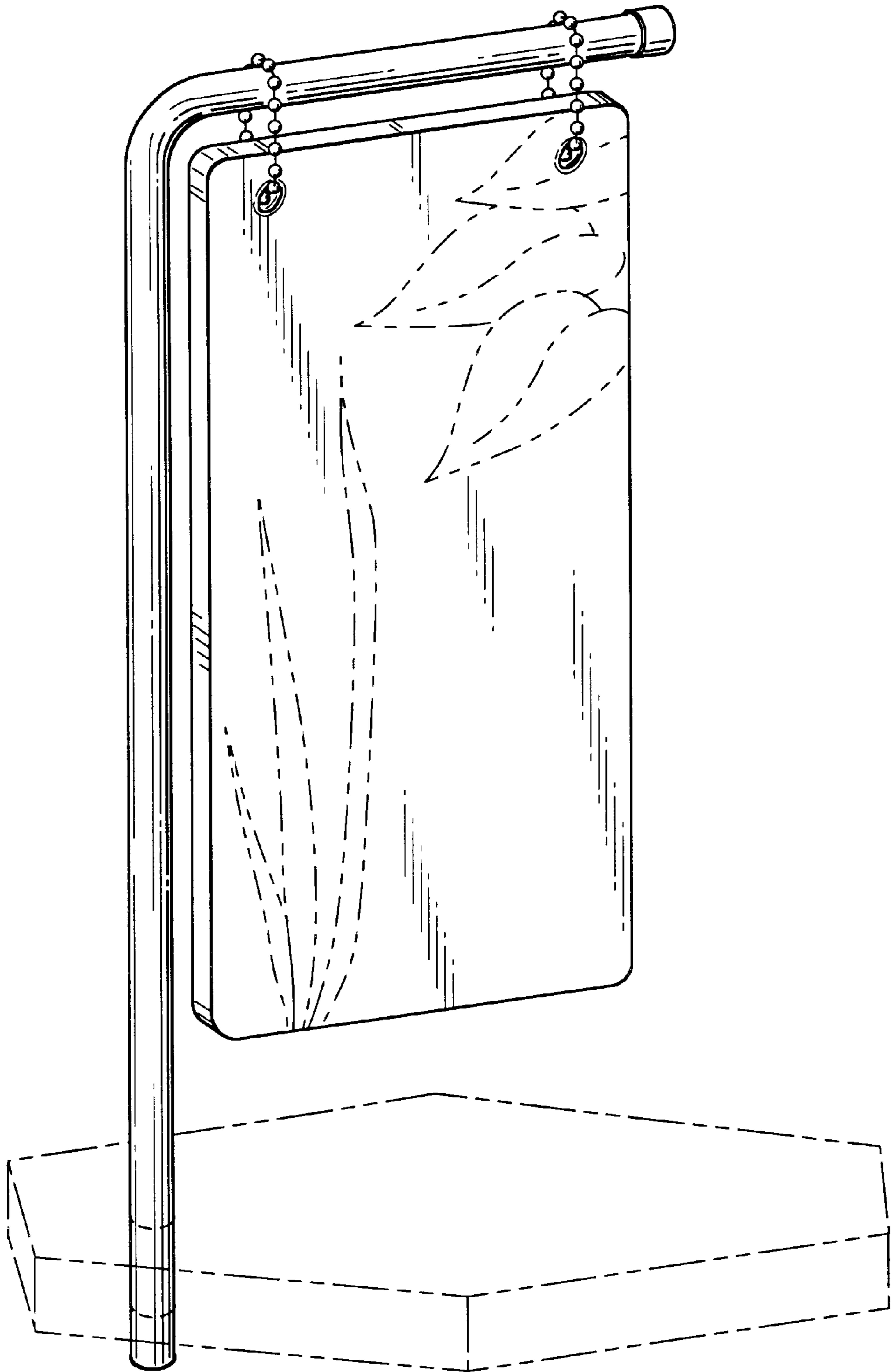


FIG. 1

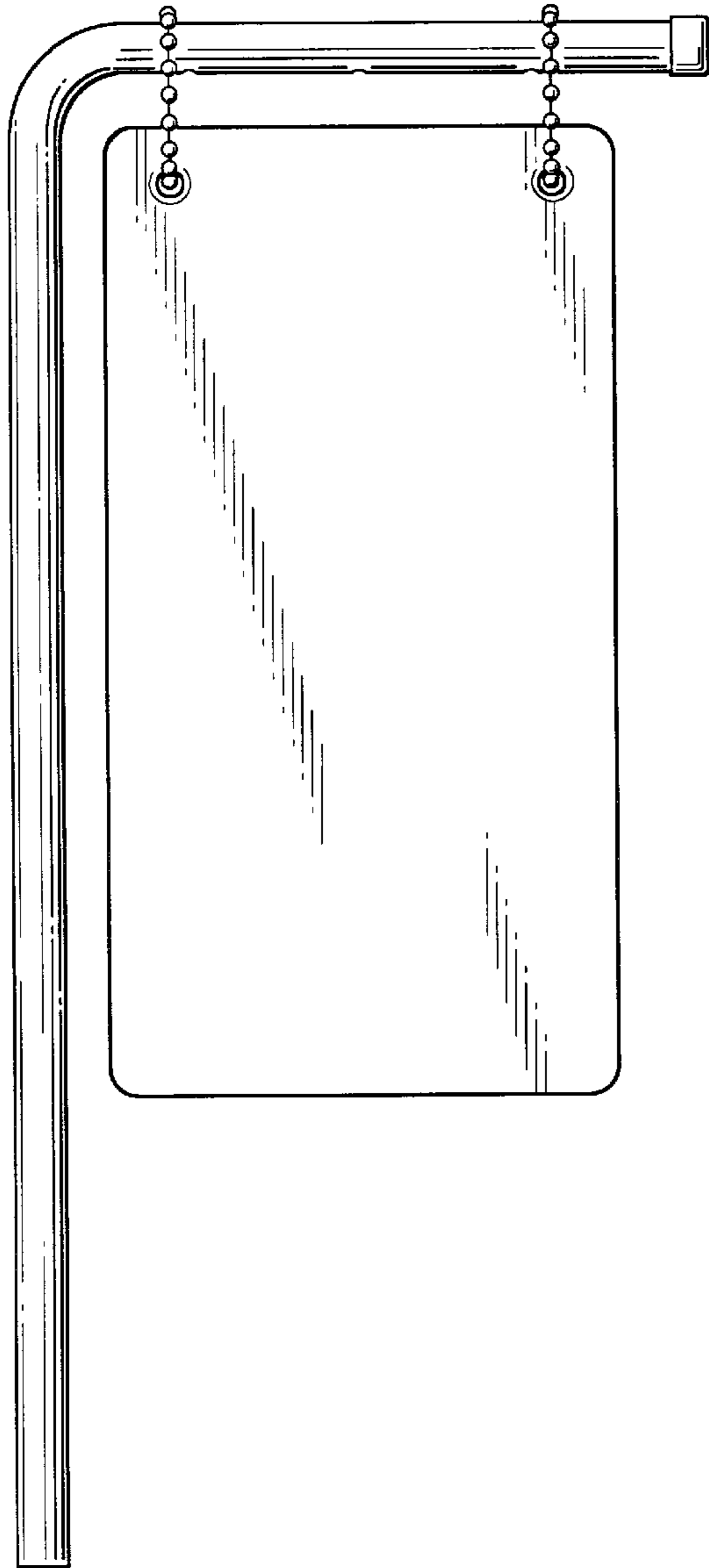


FIG. 2

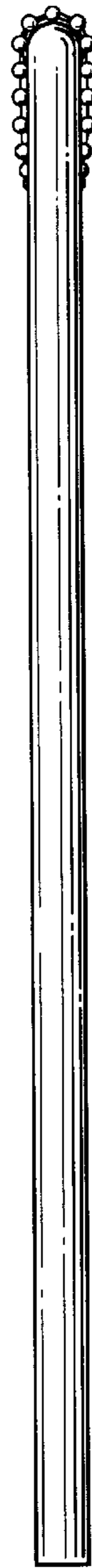


FIG. 3

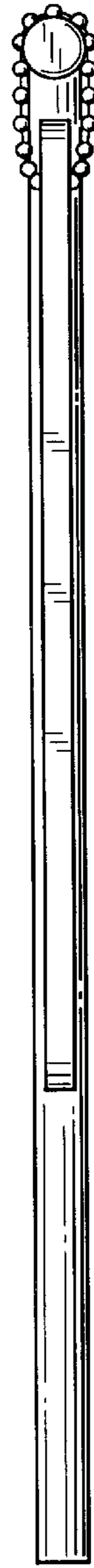


FIG. 4

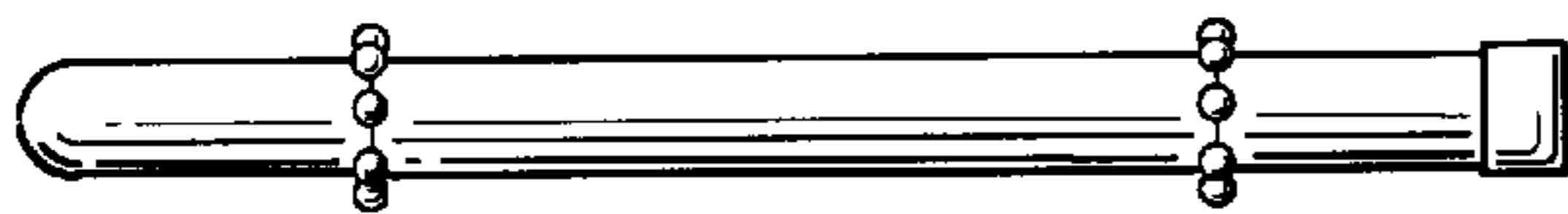


FIG. 5

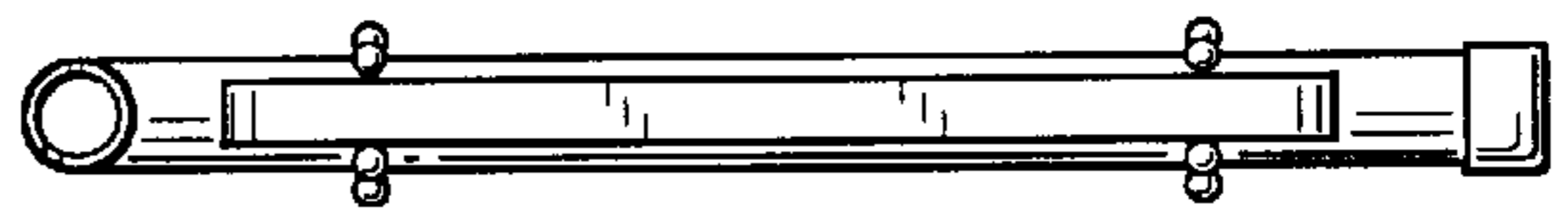


FIG. 6

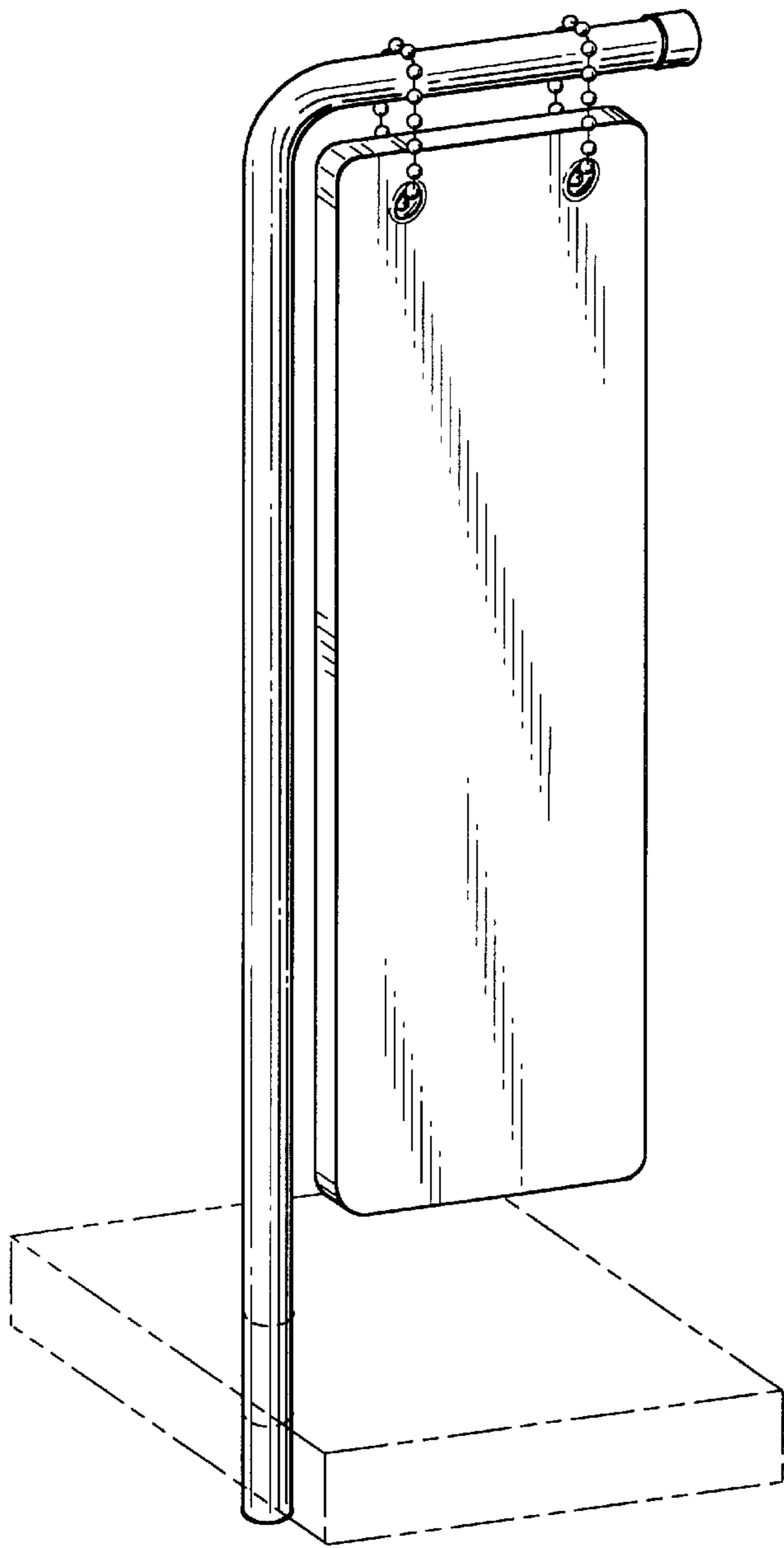


FIG. 7

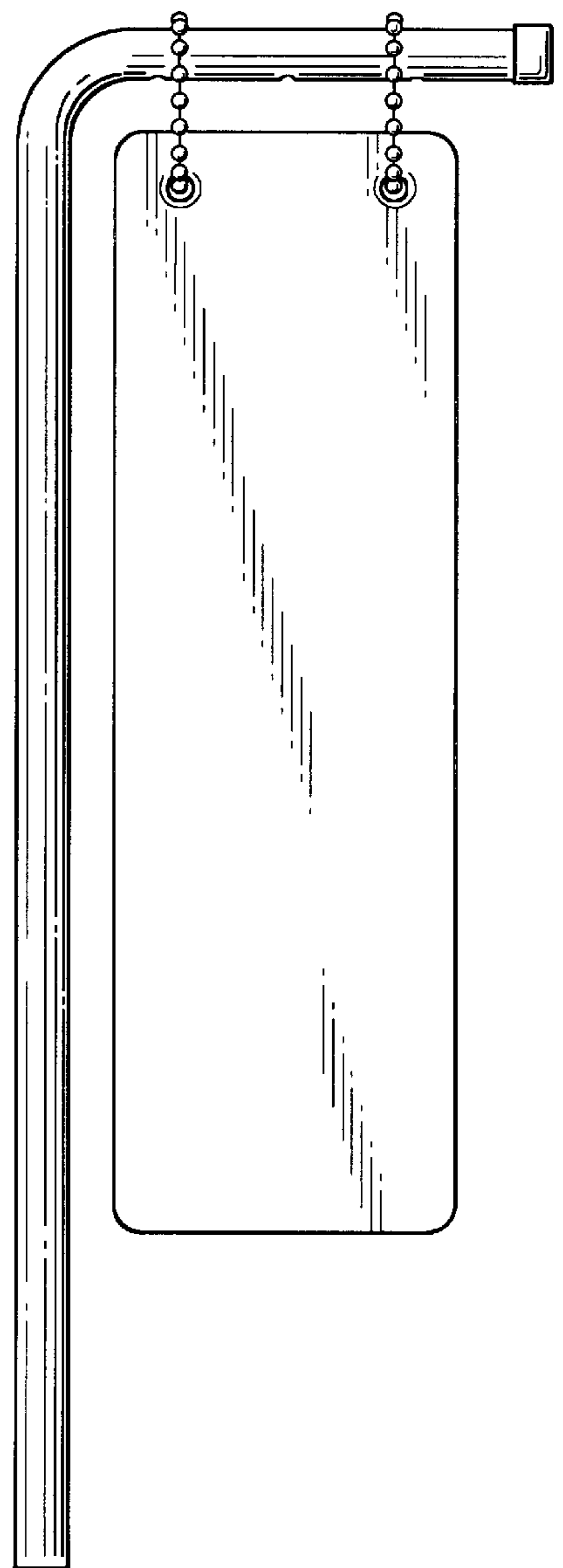


FIG. 8

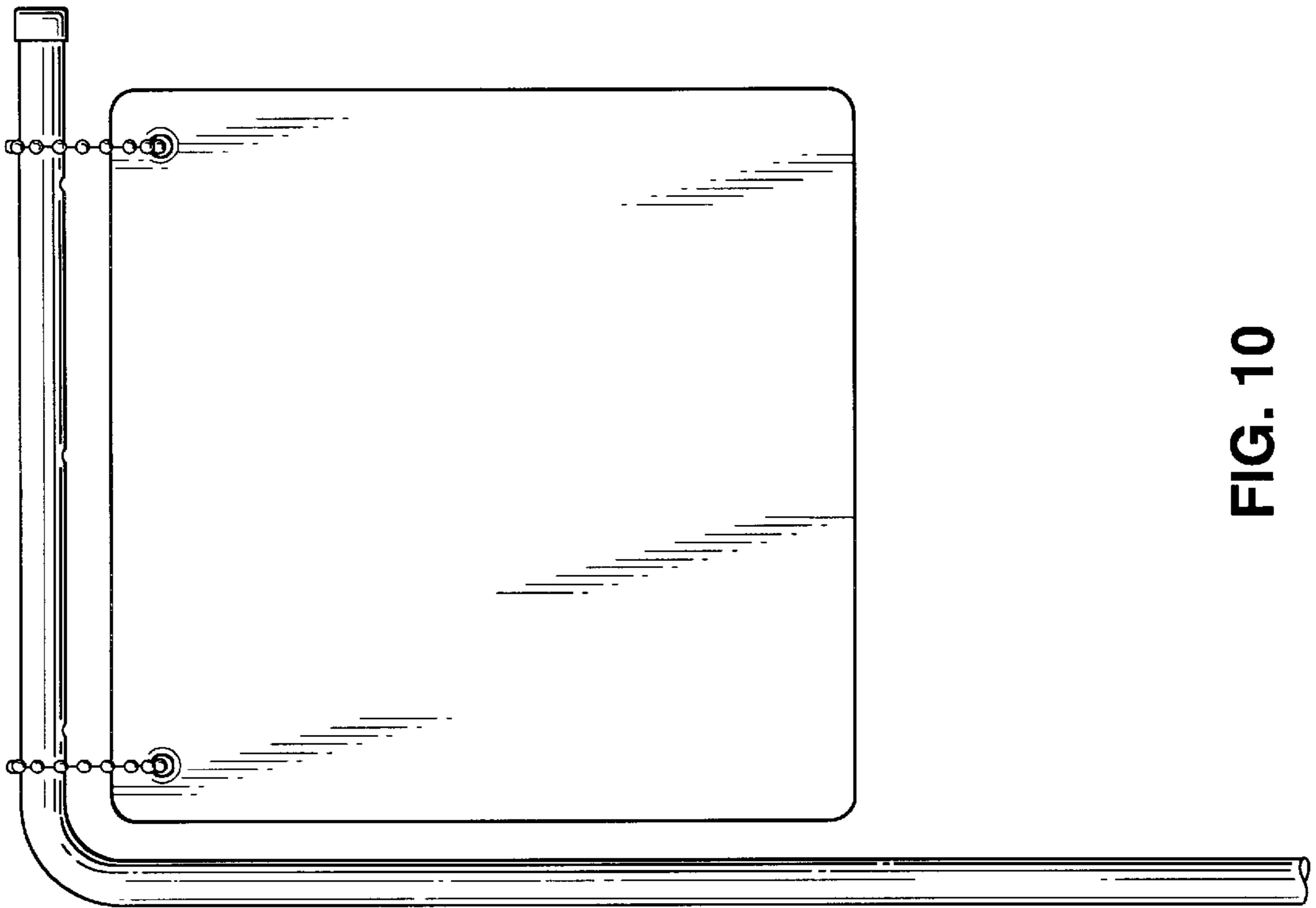


FIG. 10

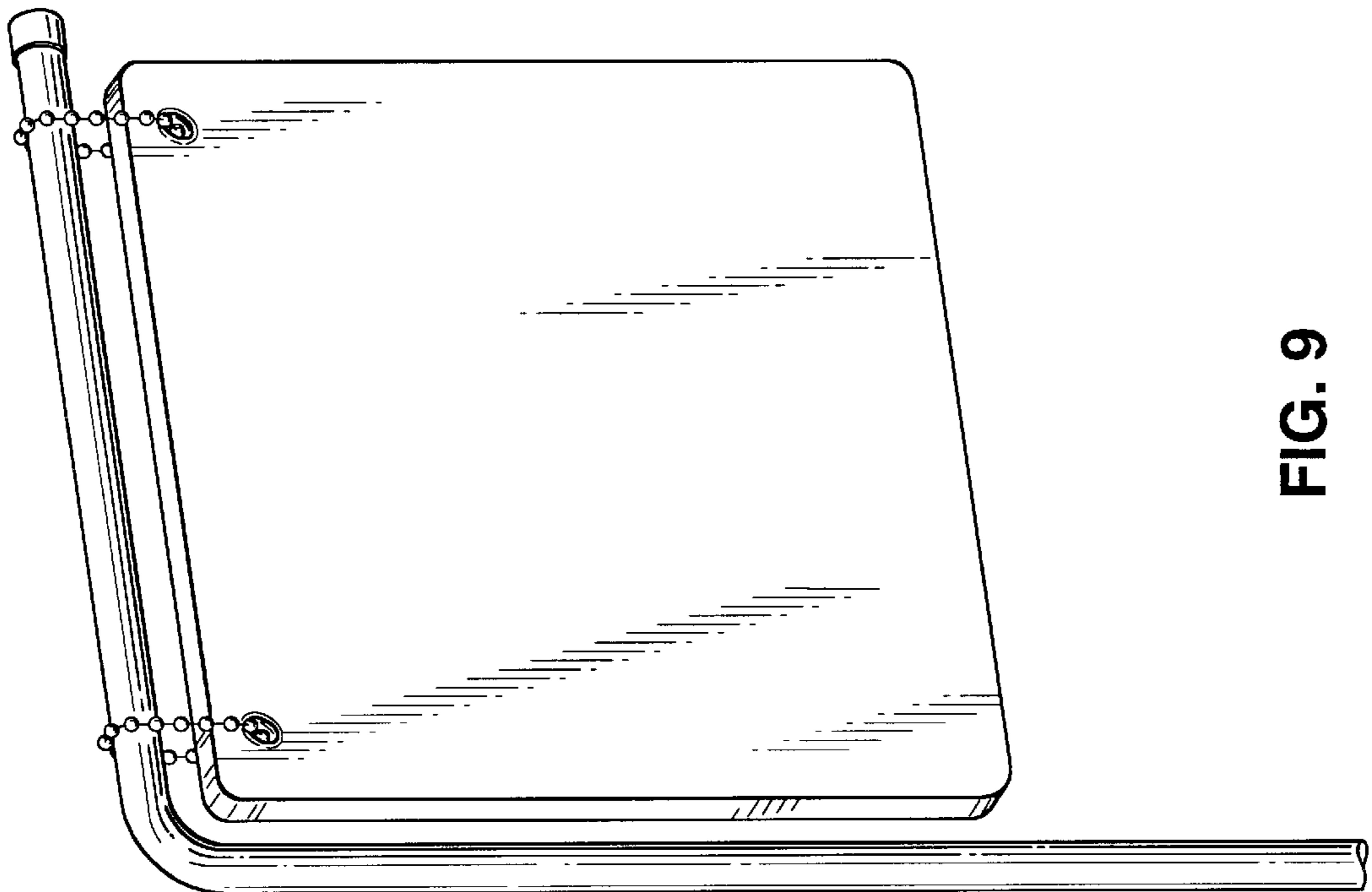


FIG. 9