



US00D416298S

United States Patent [19]

Onuma et al.

[11] Patent Number: **Des. 416,298**

[45] Date of Patent: **** Nov. 9, 1999**

[54] TREADMILL

5,711,745 1/1998 Yang 482/54
5,746,682 5/1998 Hung 482/54

[75] Inventors: **Fumio Onuma; Tadashi Furuta; Miharu Kon**, all of Kyoto, Japan

Primary Examiner—Philip S. Hyder
Attorney, Agent, or Firm—Morrison & Foerster LLP

[73] Assignee: **Omron Corporation**, Kyoto, Japan

[57] **CLAIM**

[**] Term: **14 Years**

The ornamental design for a treadmill, as shown and described.

[21] Appl. No.: **29/096,812**

DESCRIPTION

[22] Filed: **Nov. 20, 1998**

[51] **LOC (6) Cl.** **21-02**

[52] **U.S. Cl.** **D21/669**

[58] **Field of Search** D21/662, 668, D21/669, 670; 482/51, 52, 54, 70, 71

FIG. 1 is a perspective view of the top, front and left side of a treadmill showing our new design;
FIG. 2 is a top plan view thereof;
FIG. 3 is a left side elevational view thereof;
FIG. 4 is a rear elevational view thereof;
FIG. 5 is a front elevational view thereof;
FIG. 6 is a right side elevational view thereof;
FIG. 7 is a bottom plan view thereof; and,
FIG. 8 is a left side elevational view thereof, showing the inclination of the support stand in an alternate position.

[56] References Cited

U.S. PATENT DOCUMENTS

D. 333,330	2/1993	Clem	D21/669
D. 392,351	3/1998	Coody et al.	D21/669
D. 393,297	4/1998	McBride et al.	D21/669
5,674,453	10/1997	Watterson et al.	482/54

1 Claim, 5 Drawing Sheets

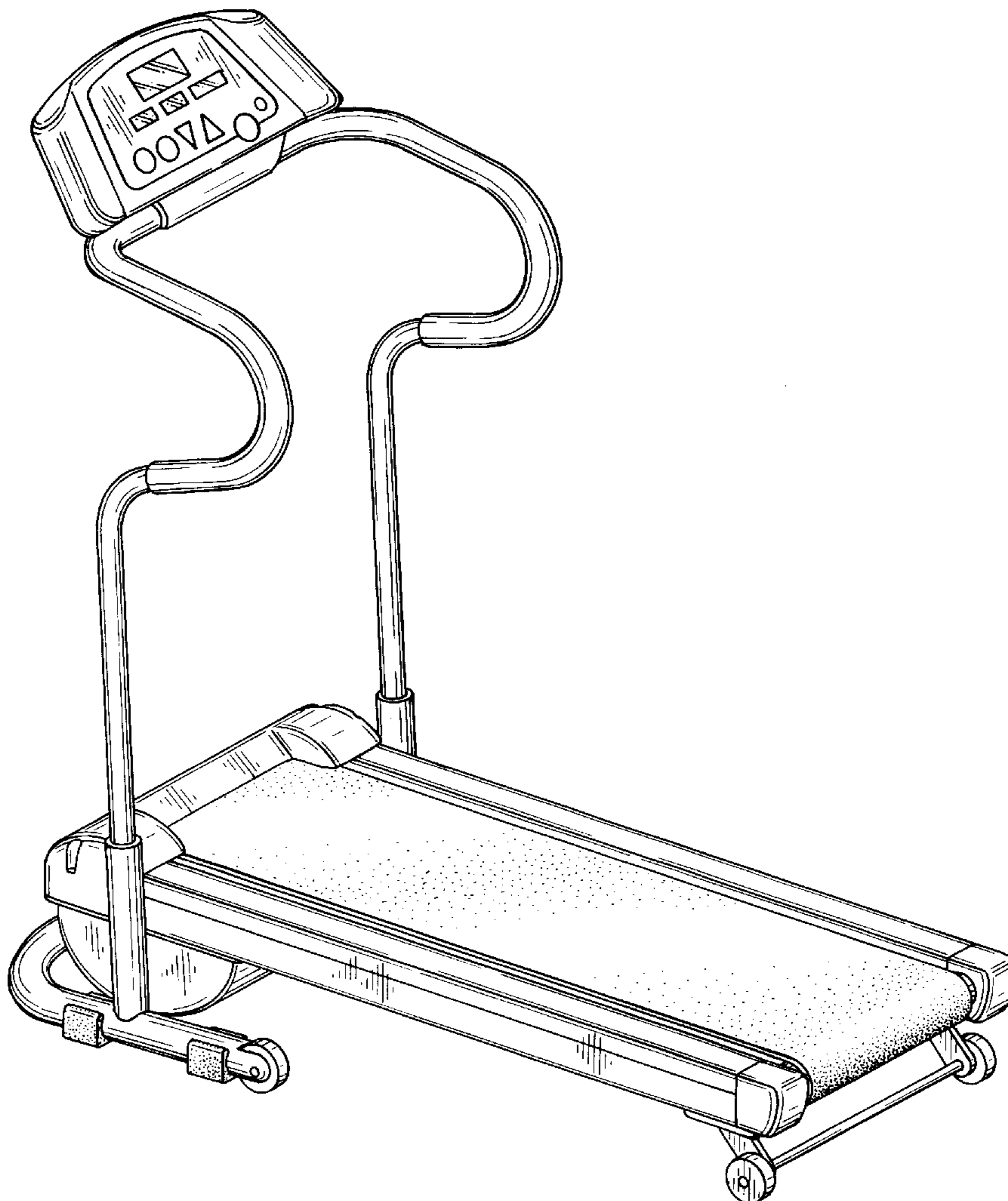


FIG. 1

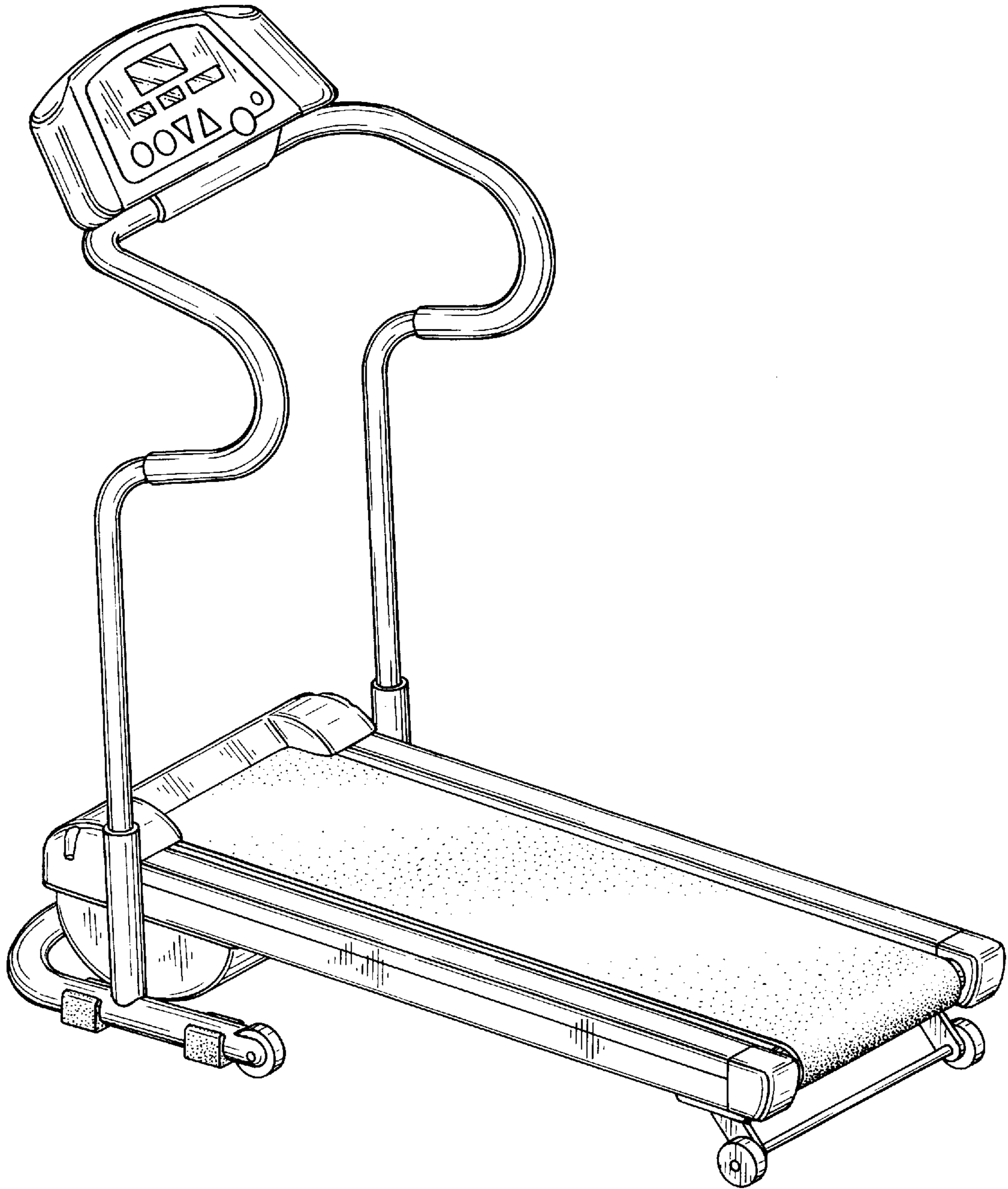


FIG. 2

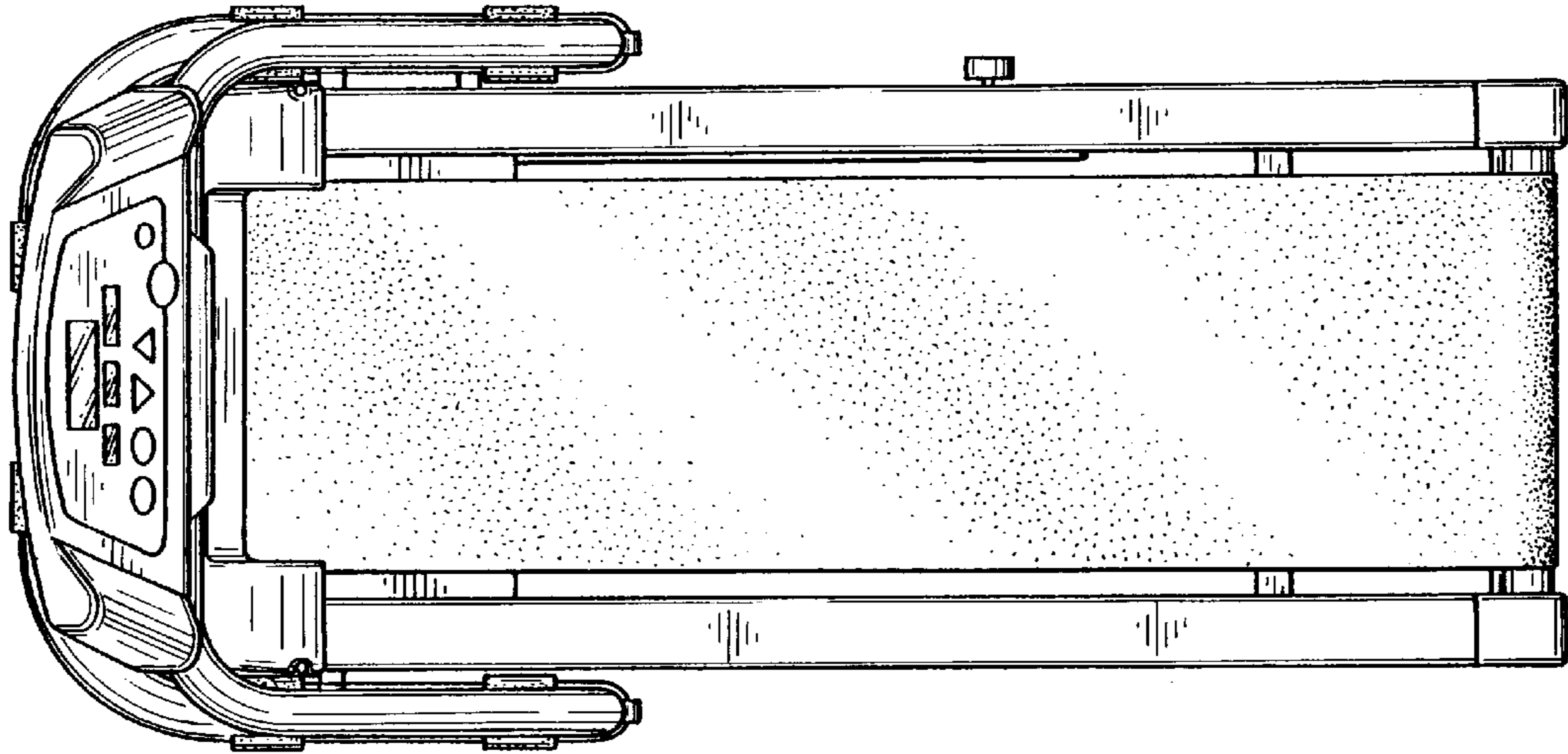


FIG. 3

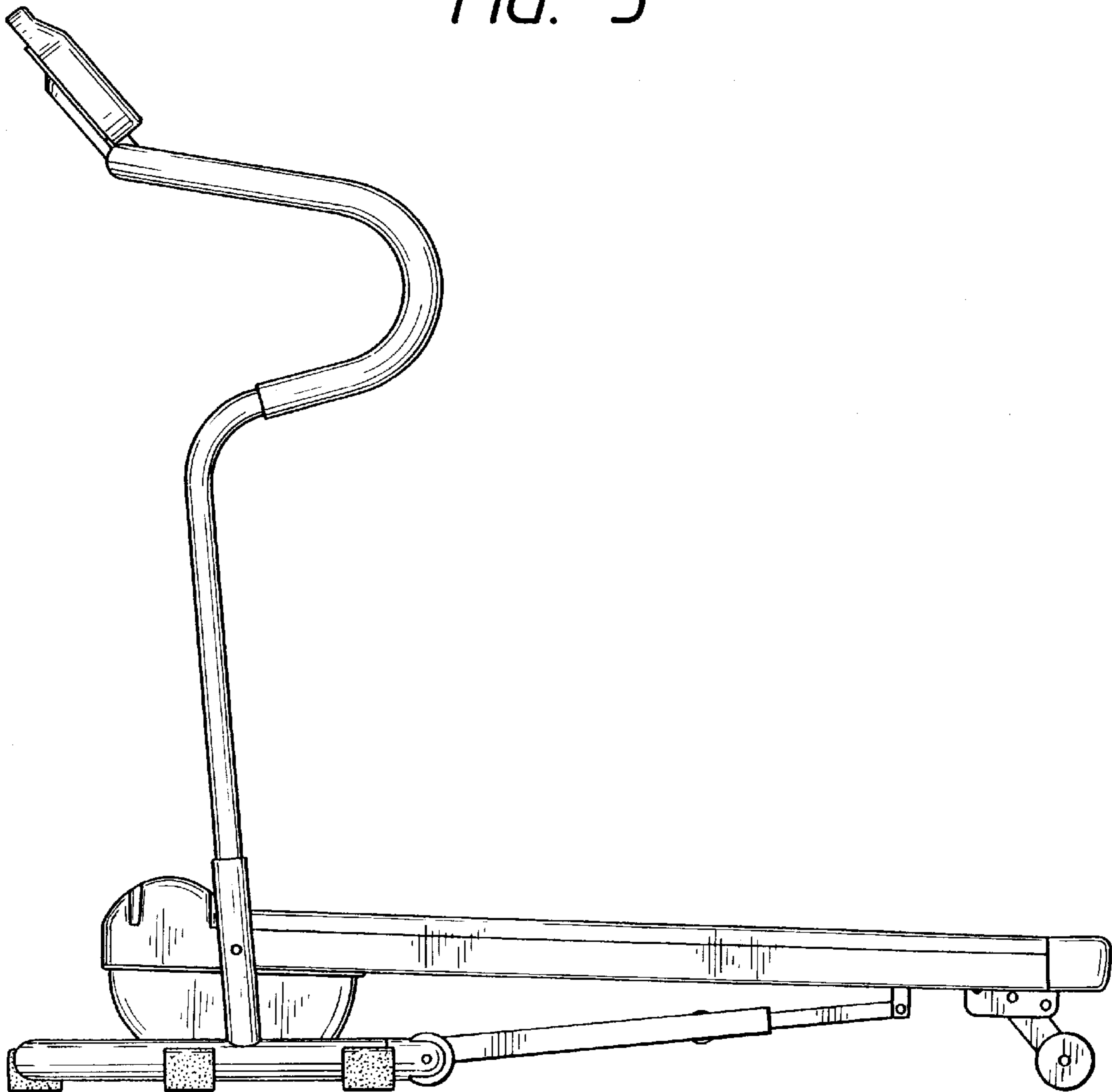


FIG. 4

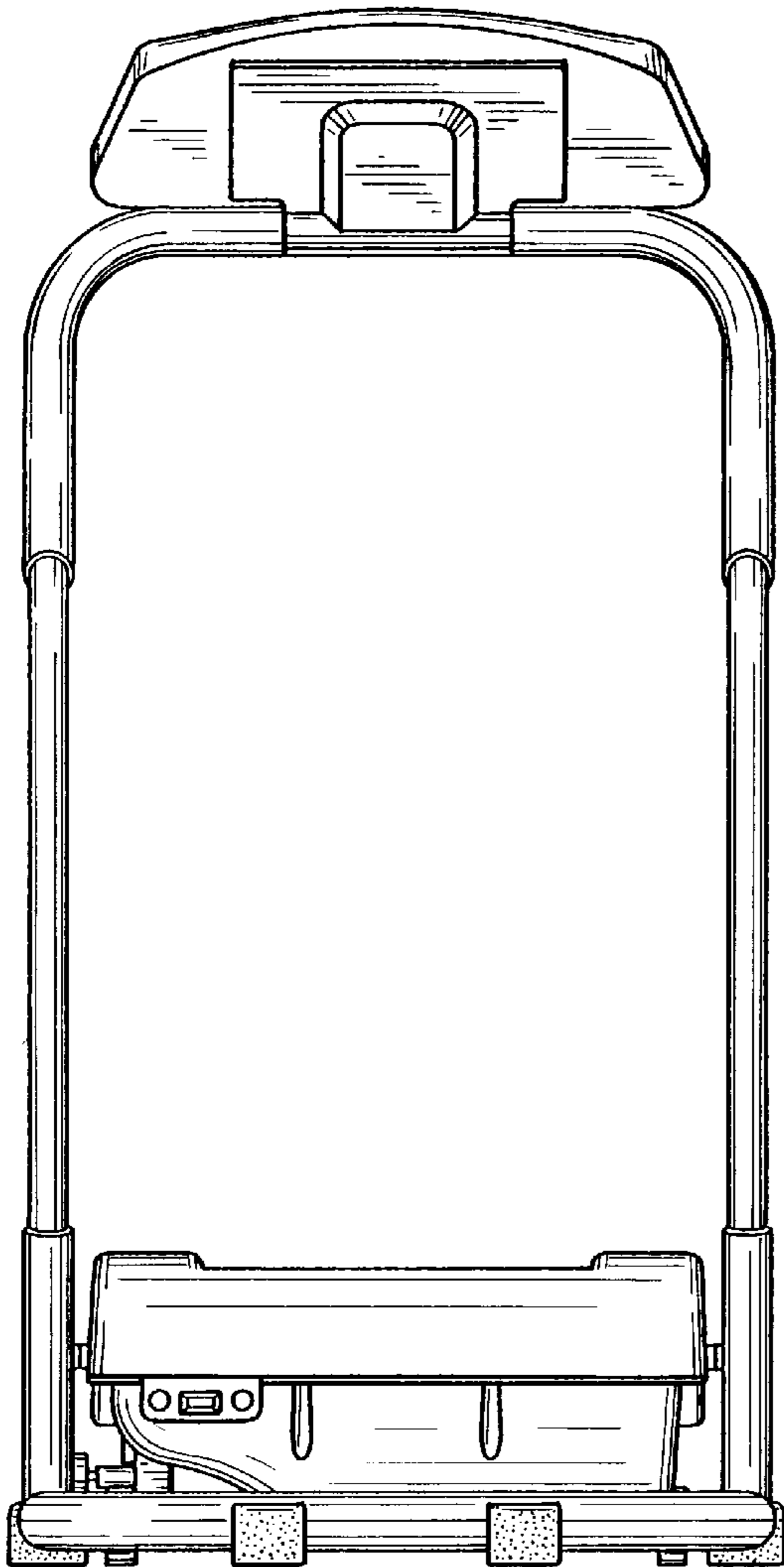


FIG. 5

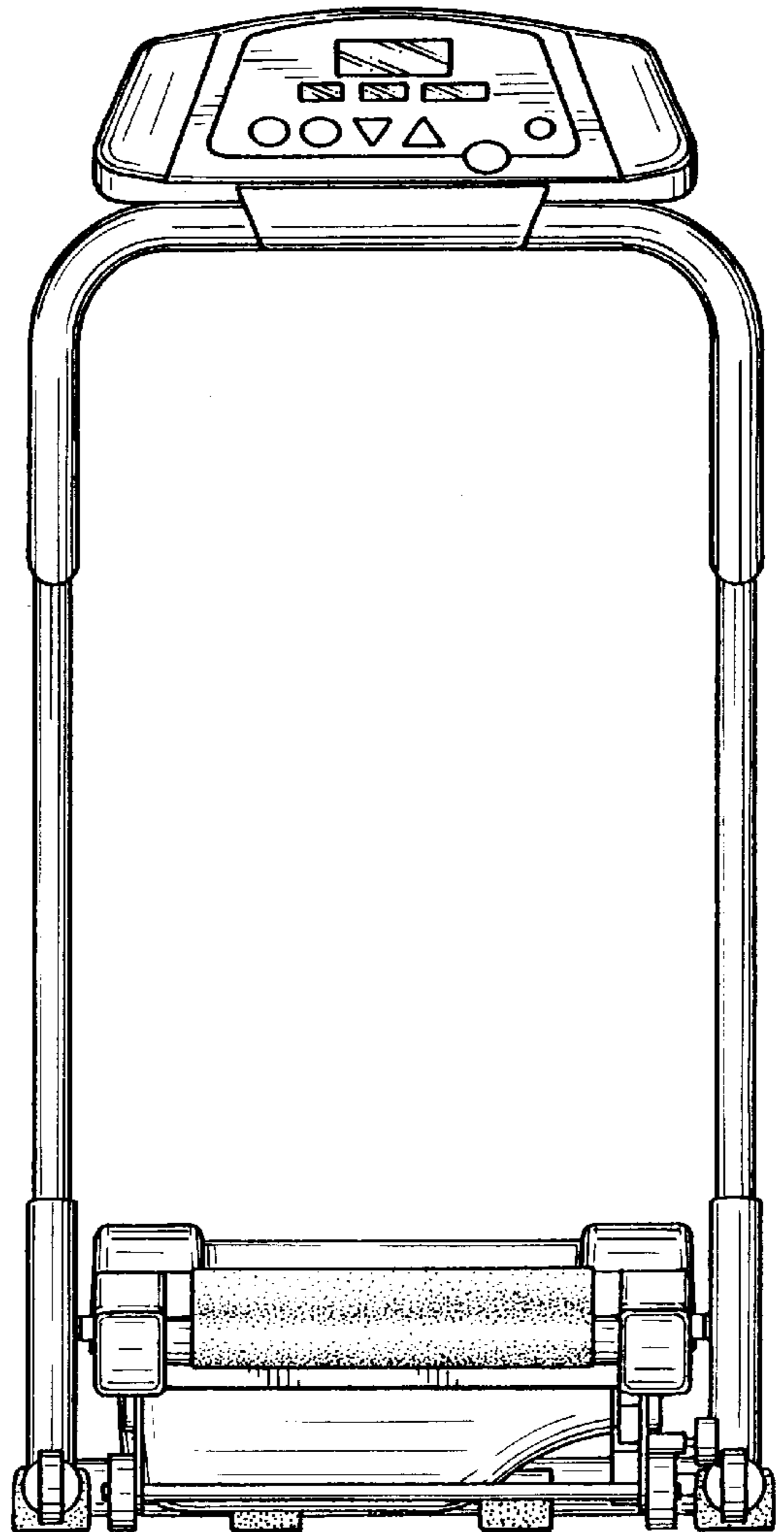


FIG. 6

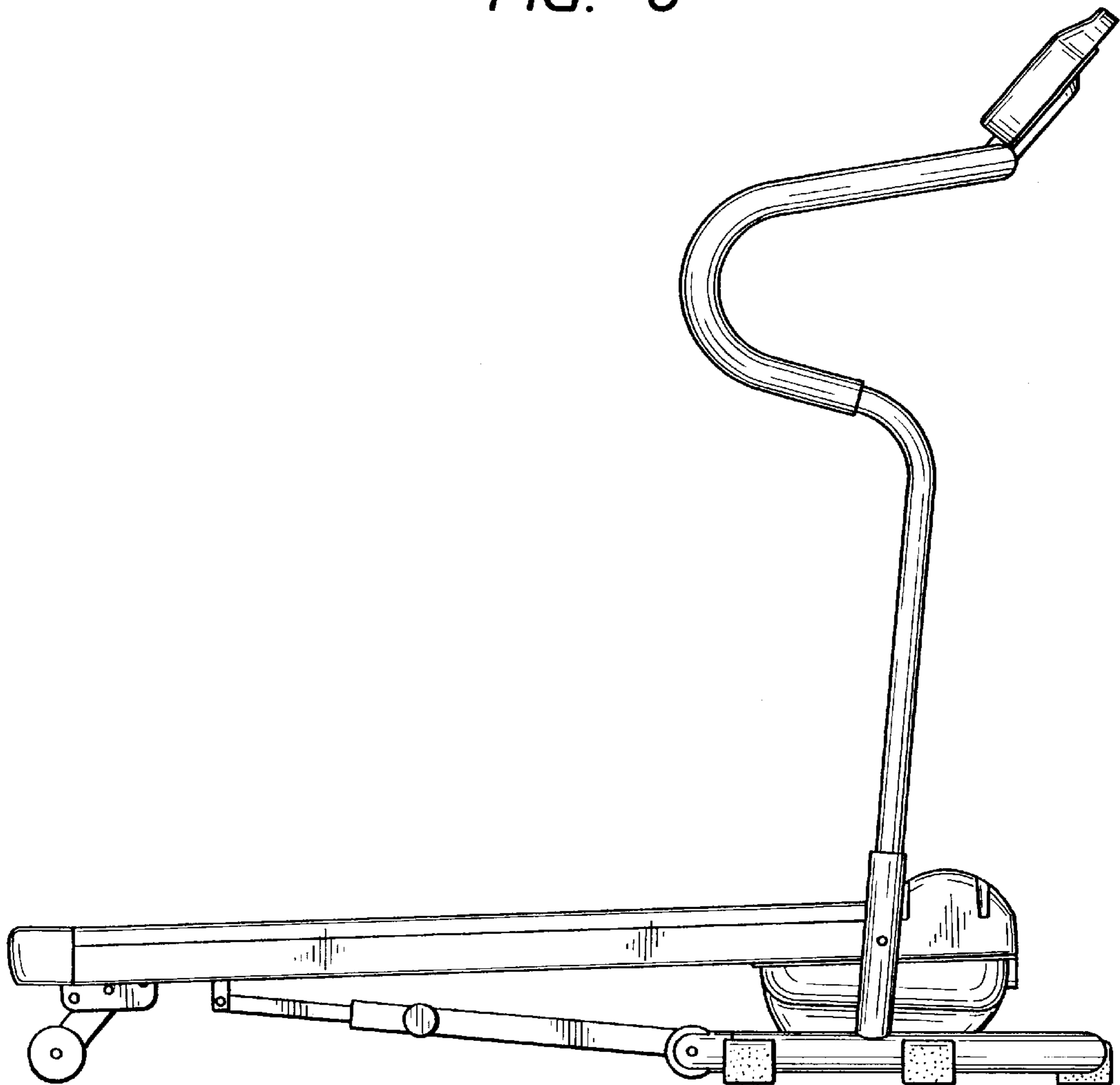


FIG. 7

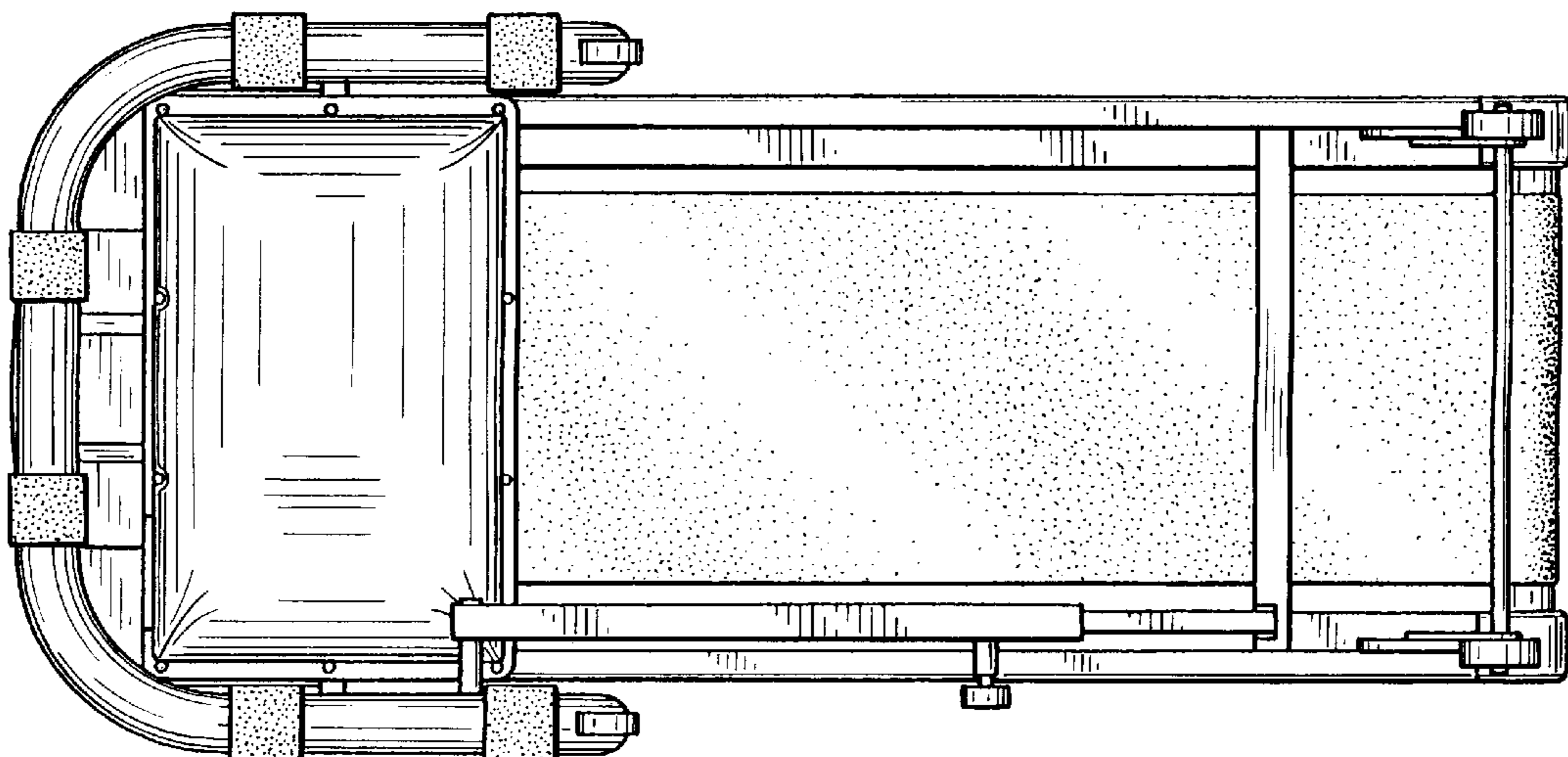


FIG. 8

