



US00D416288S

# United States Patent [19] Kuehn

[11] Patent Number: **Des. 416,288**

[45] Date of Patent: **\*\* Nov. 9, 1999**

[54] **STAMP APPLICATOR**

[76] Inventor: **Scott P. Kuehn**, 9200 Park Ave.,  
Bloomington, Minn. 55420

[\*\*] Term: **14 Years**

[21] Appl. No.: **29/097,780**

[22] Filed: **Dec. 14, 1998**

[51] **LOC (6) Cl.** ..... **19-02**

[52] **U.S. Cl.** ..... **D19/69; D19/67**

[58] **Field of Search** ..... D19/65, 67, 68,  
D19/69, 95, 99, 100; 221/26, 30, 32, 69,  
73; 118/43, 35, 37; 225/37, 65, 67; 156/523,  
527; 206/39.3, 39.8, 820, 39.6; 312/34.4;  
242/588.6, 598.6, 615.3; D9/339

[56] **References Cited**

**U.S. PATENT DOCUMENTS**

D. 283,631	4/1986	Miller et al.	.....	D19/69
D. 294,955	3/1988	Ragnorstam	.....	D19/67
D. 336,109	6/1993	Chan	.....	D19/69
D. 398,646	9/1998	Geiger	.....	D19/69

2,167,908	8/1939	Richards	.....	242/588.6
2,741,220	4/1956	Belisle	.....	156/526 X
2,847,118	8/1958	Johnson	.....	206/39.3
3,035,345	5/1962	Barnard	.....	83/568

*Primary Examiner*—Martie K. Holtje  
*Attorney, Agent, or Firm*—D. L. Tschida

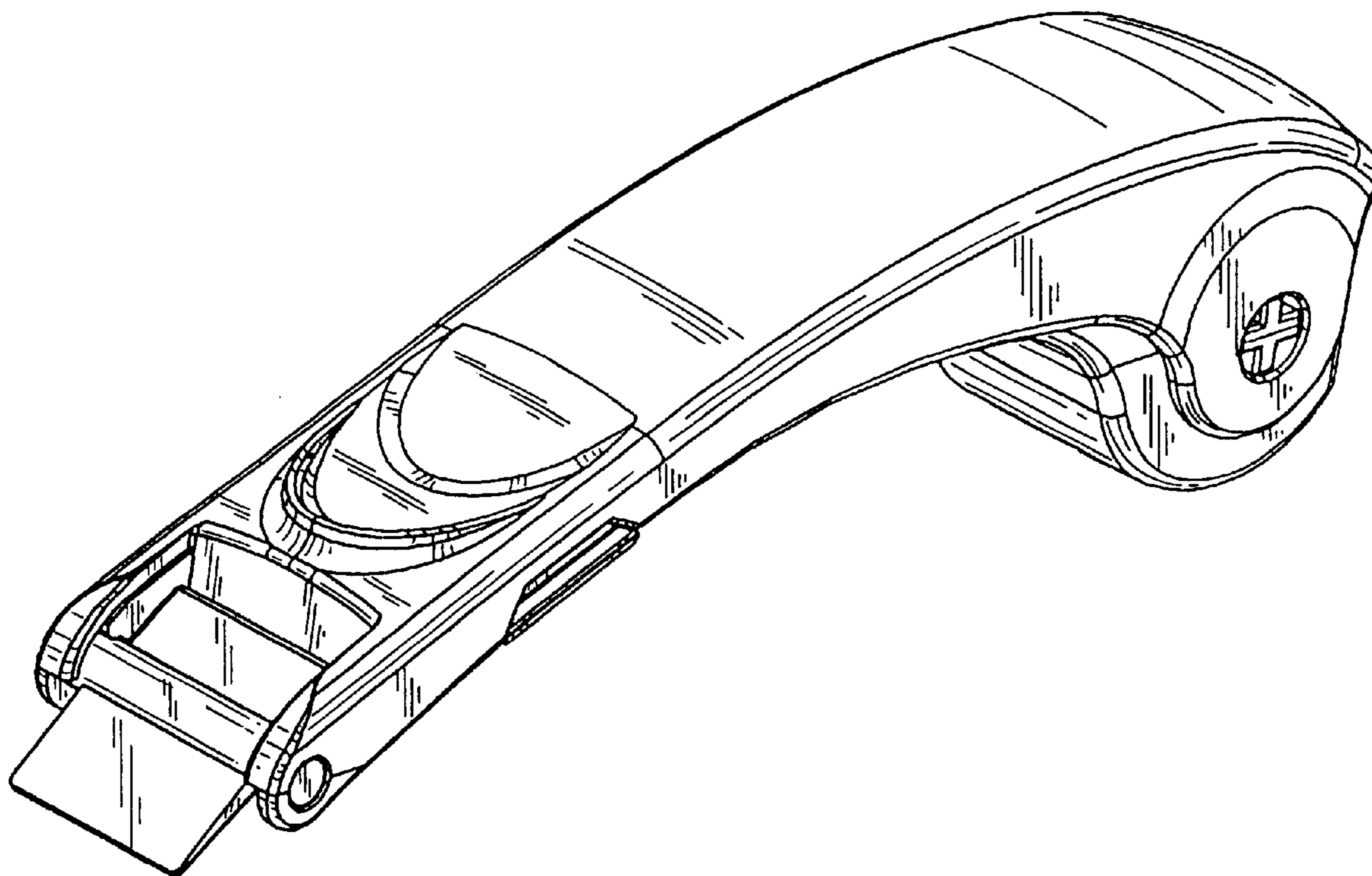
[57] **CLAIM**

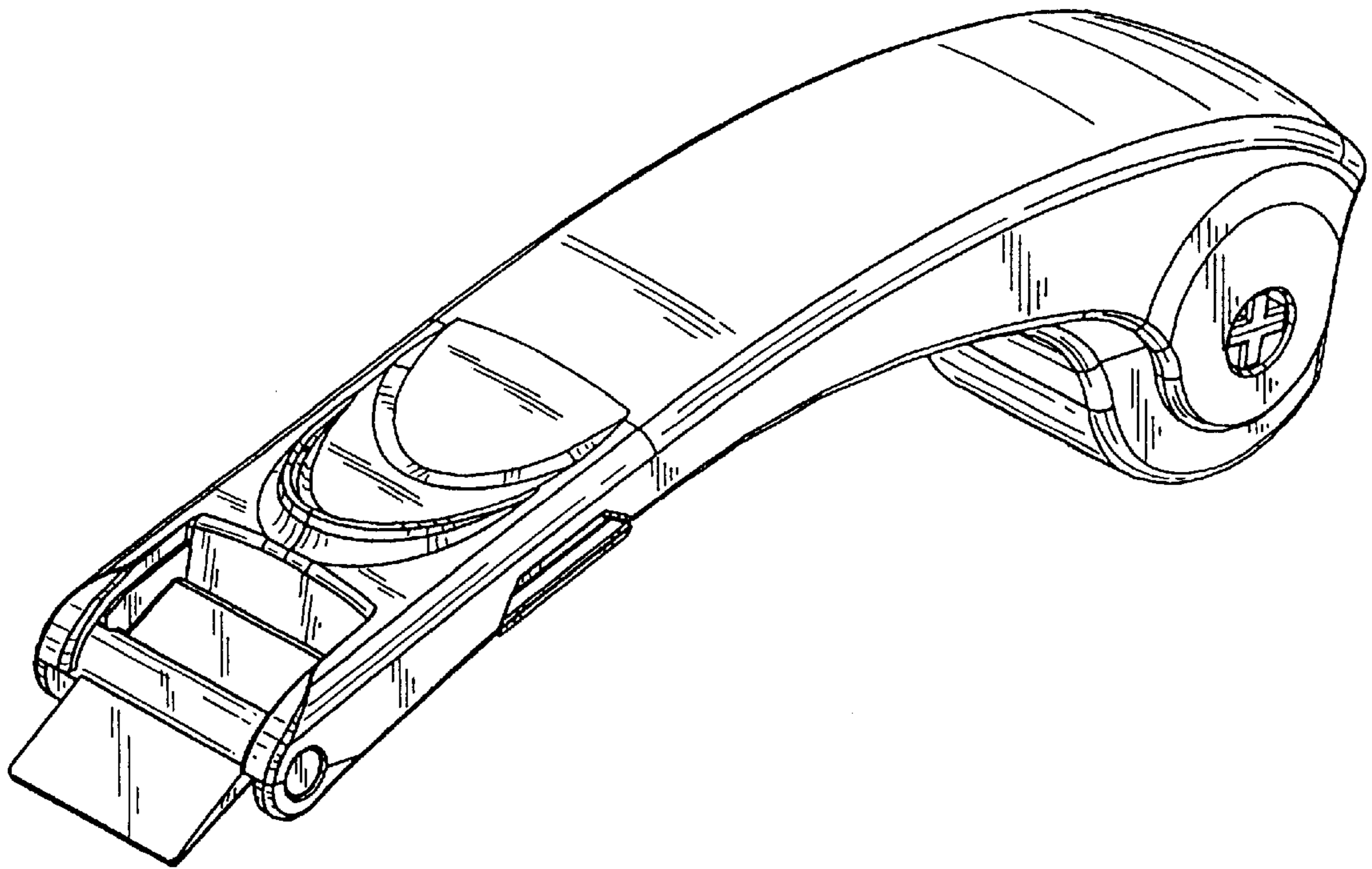
The ornamental design for a stamp applicator, as shown and described.

**DESCRIPTION**

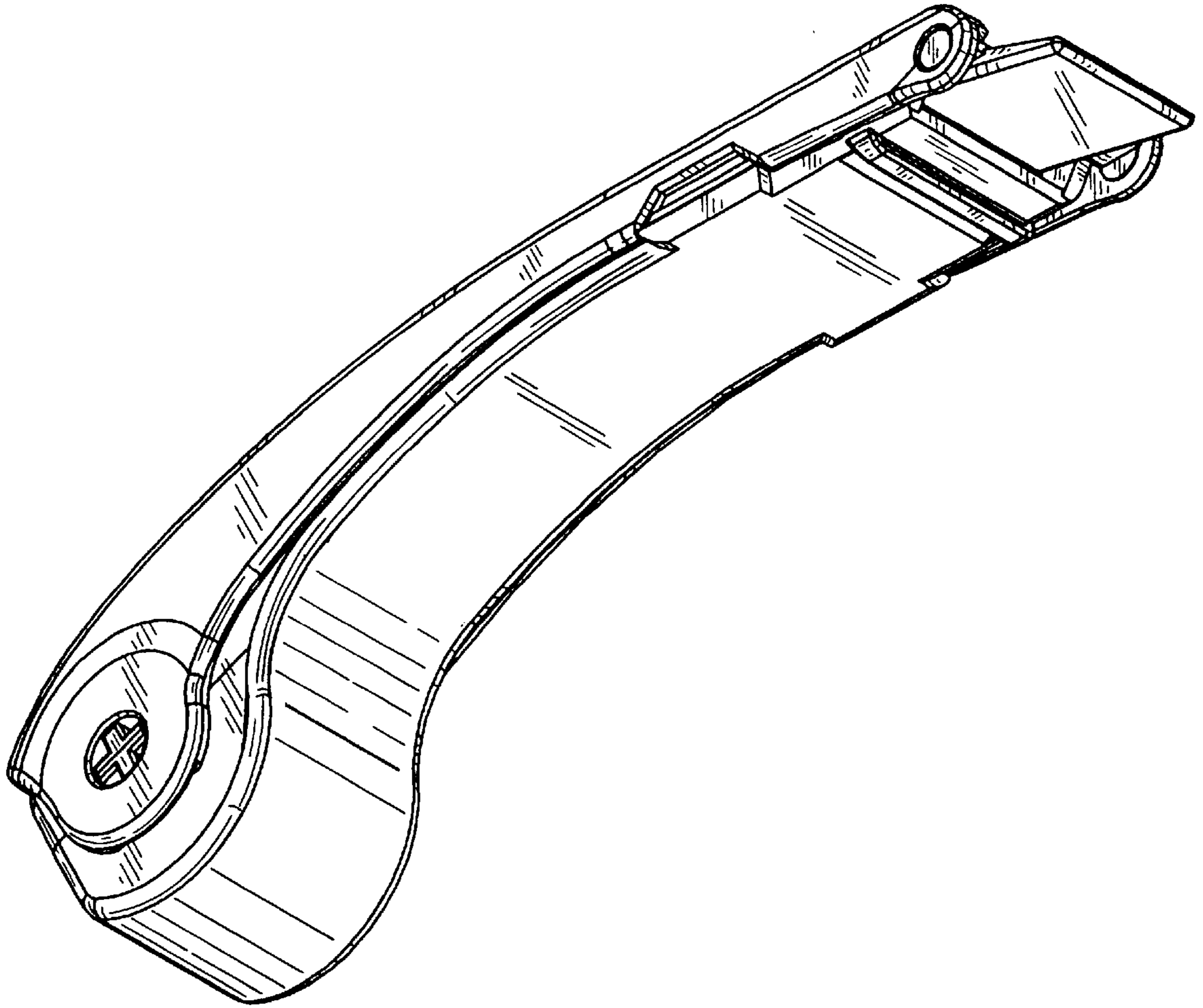
FIG. 1 is a perspective drawing showing front, left side and top views of my new design for a stamp applicator;  
FIG. 2 is a perspective drawing showing rear, right side and bottom views of my new design for a stamp applicator;  
FIG. 3 is a front view thereof and wherein the rear view is identical;  
FIG. 4 is a top view thereof;  
FIG. 5 is a bottom view thereof;  
FIG. 6 is a left side view thereof; and,  
FIG. 7 is a right side view thereof.

**1 Claim, 4 Drawing Sheets**





*FIG. 1*



*FIG. 2*

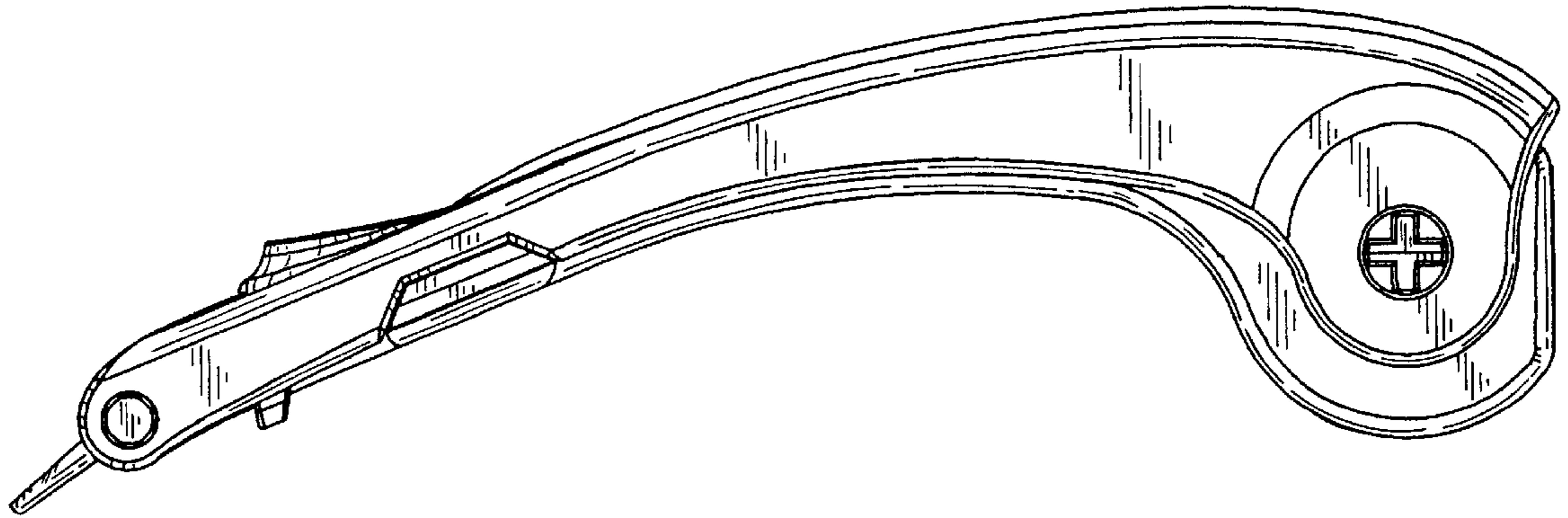


FIG. 3

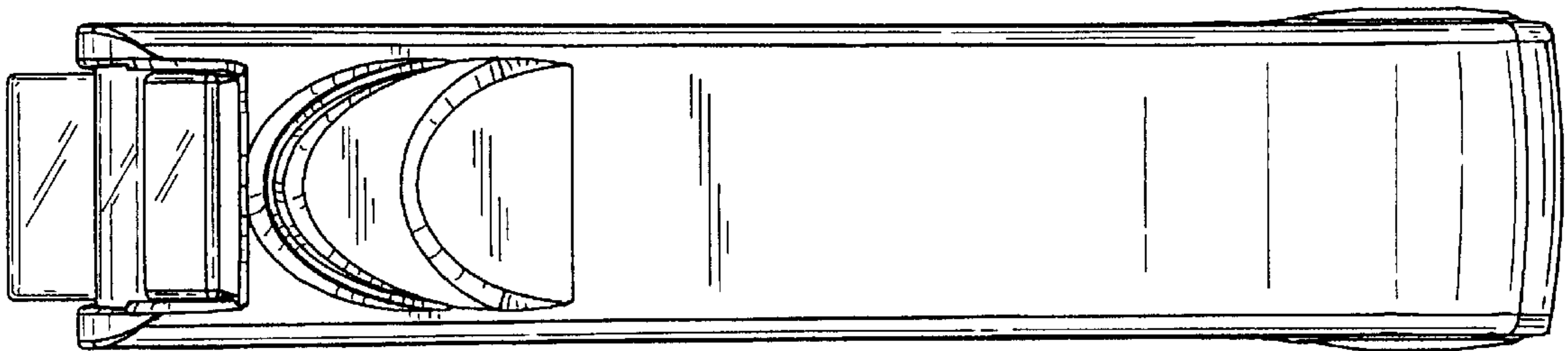
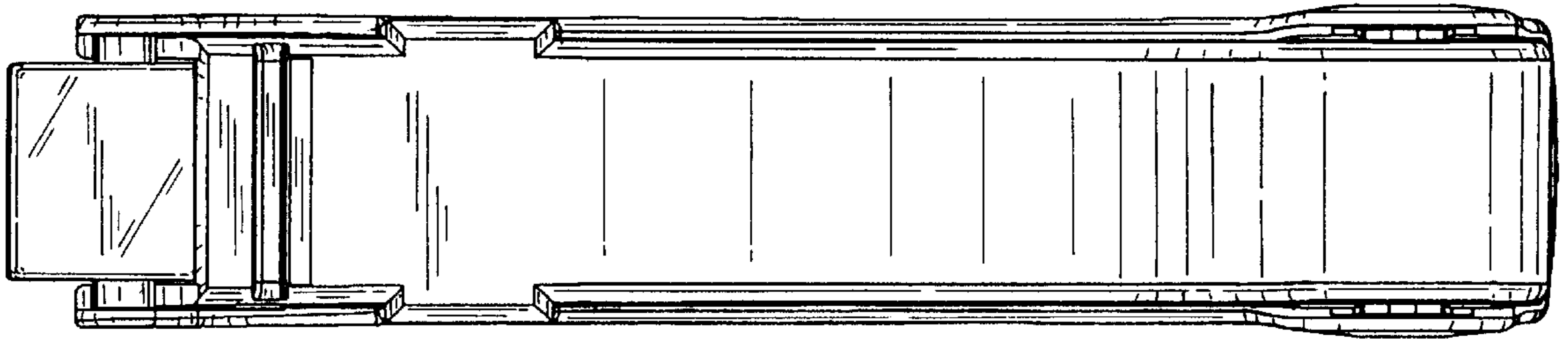
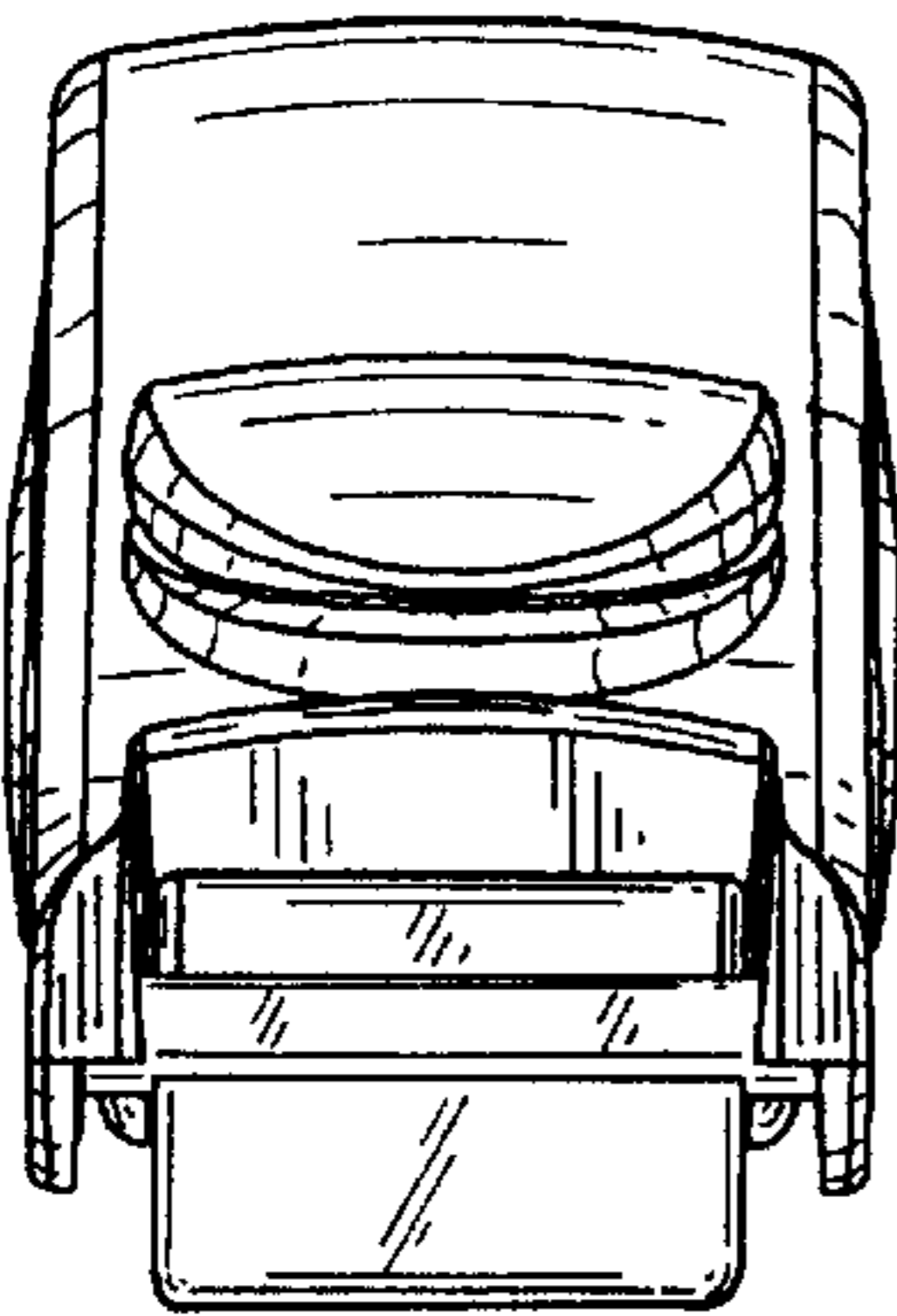


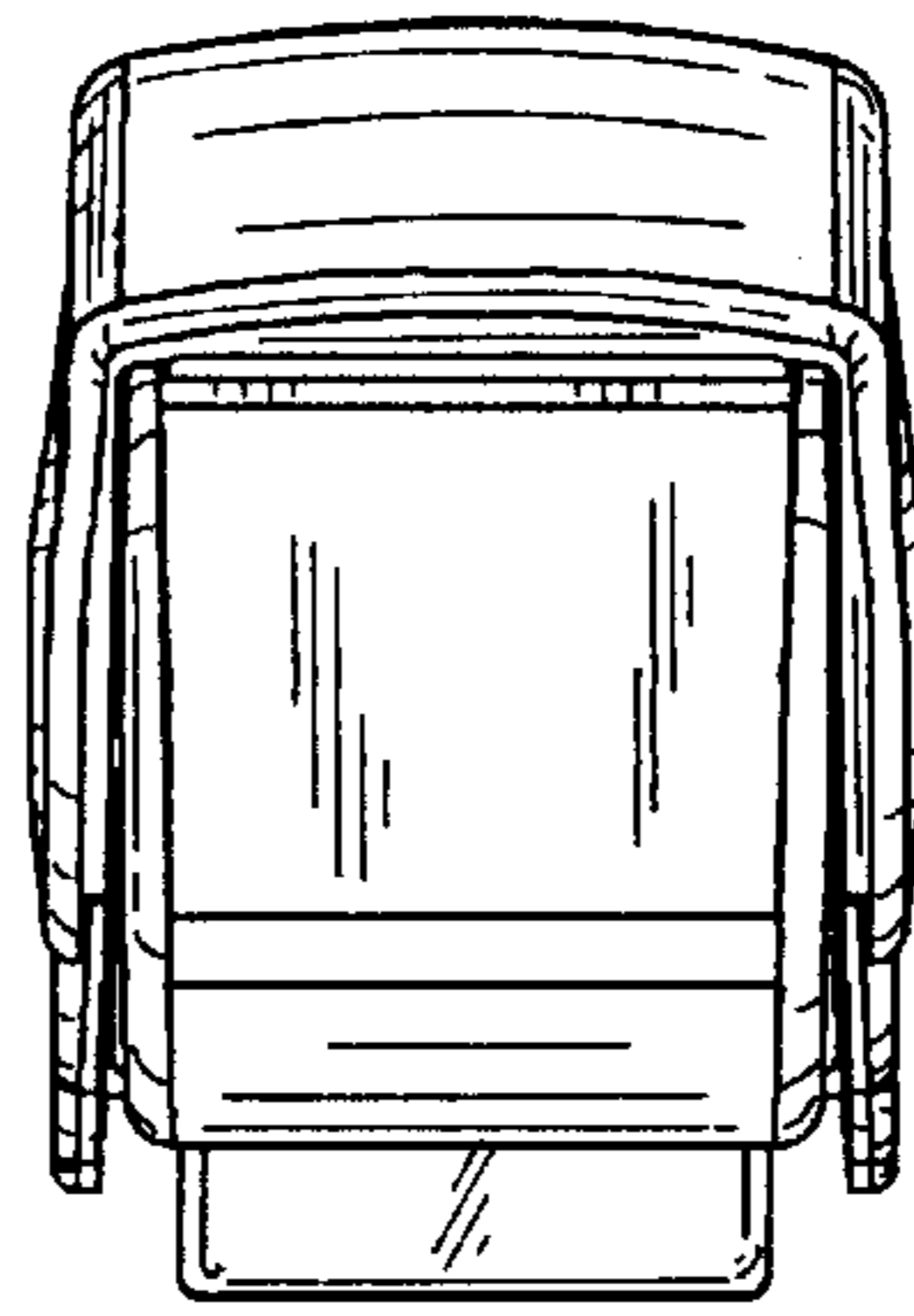
FIG. 4



*FIG. 5*



*FIG. 6*



*FIG. 7*