



US00D416287S

United States Patent [19]

[11] **Patent Number: Des. 416,287**

Moten et al.

[45] **Date of Patent: ** Nov. 9, 1999**

[54] **MECHANICAL ERASER**

4,817,226 4/1989 Kuo 15/3.53
5,311,630 5/1994 Nakamura et al. 15/3.53

[76] Inventors: **Ruben L. Moten; Evelyn Moten**, both
of 614 Boehlke St., Saginaw, Mich.
48601

OTHER PUBLICATIONS

Miller Office Products Catalog, p. 414, item C, top right,
©1995.

[**] Term: **14 Years**

Miller Office Products Catalog, p. 415 item shown with cap
removed—top center, ©1995.

[21] Appl. No.: **29/083,778**

Primary Examiner—Martie K. Holtje

[22] Filed: **Feb. 17, 1998**

[57] CLAIM

[51] **LOC (6) Cl.** **19-06**

The ornamental design for a mechanical eraser, as shown
and described.

[52] **U.S. Cl.** **D19/53; D19/66**

[58] **Field of Search** D19/53, 65, 66,
D19/35, 36, 99, 100; D9/337, 332, 338,
454, 549, 550, 551; 15/3.53, 329, 330,
344, 345, 363, 383; 401/196, 198, 202,
261, 262, 266, 292

DESCRIPTION

FIG. 1 is a perspective view of a mechanical eraser showing
my new design;
FIG. 2 is a right side elevational view thereof;
FIG. 3 is a left side elevational view thereof;
FIG. 4 is a front elevational view thereof;
FIG. 5 is a rear elevational view thereof;
FIG. 6 is a top plan view thereof;
FIG. 7 is a bottom plan view thereof; and,
FIG. 8 is a perspective view thereof, shown with the lid
attached to the base.

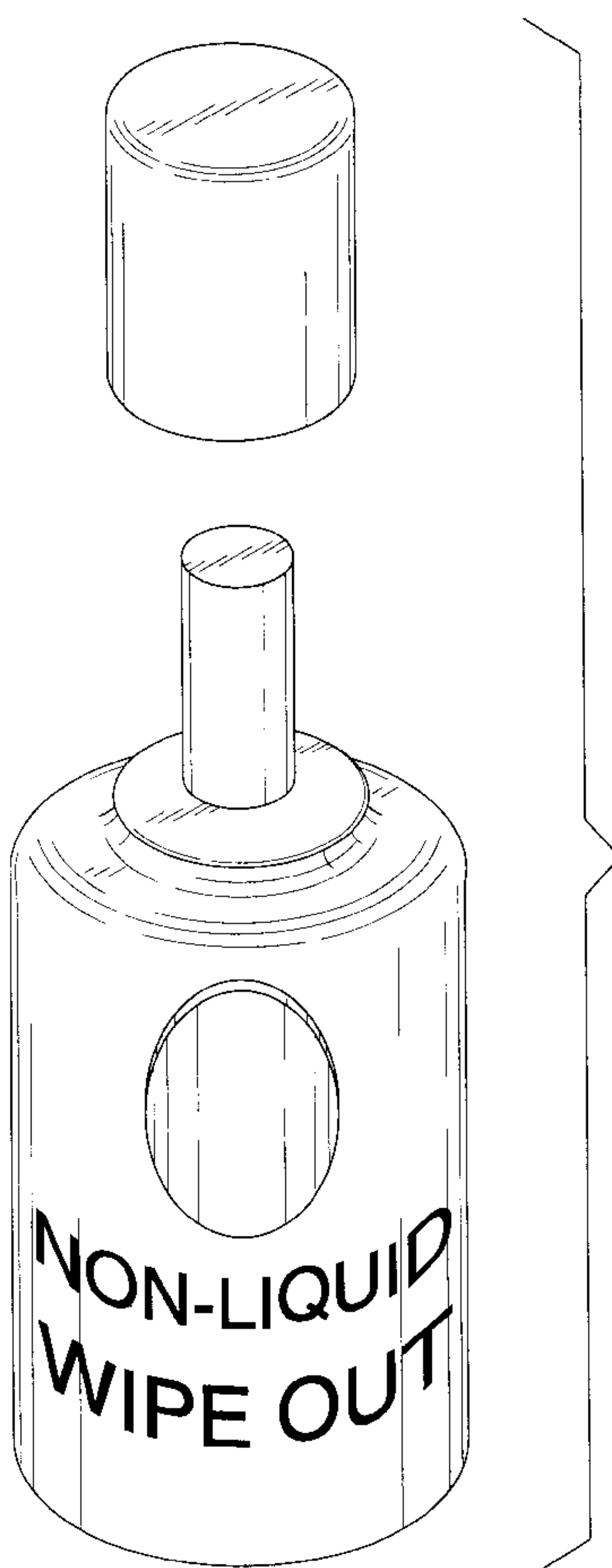
[56] References Cited

U.S. PATENT DOCUMENTS

D. 180,101	4/1957	Robinson	D19/53
D. 184,831	4/1959	Palma, Jr.	D19/53
D. 286,548	11/1986	Hsieh	D19/53
D. 311,757	10/1990	Crutchfield	D19/65 X
2,069,462	2/1937	Rouse	15/428
2,112,130	3/1938	Bachrach	15/425
3,925,842	12/1975	Selinder et al.	15/3.53

Undisclosed surfaces are plain and unornamented.

1 Claim, 6 Drawing Sheets



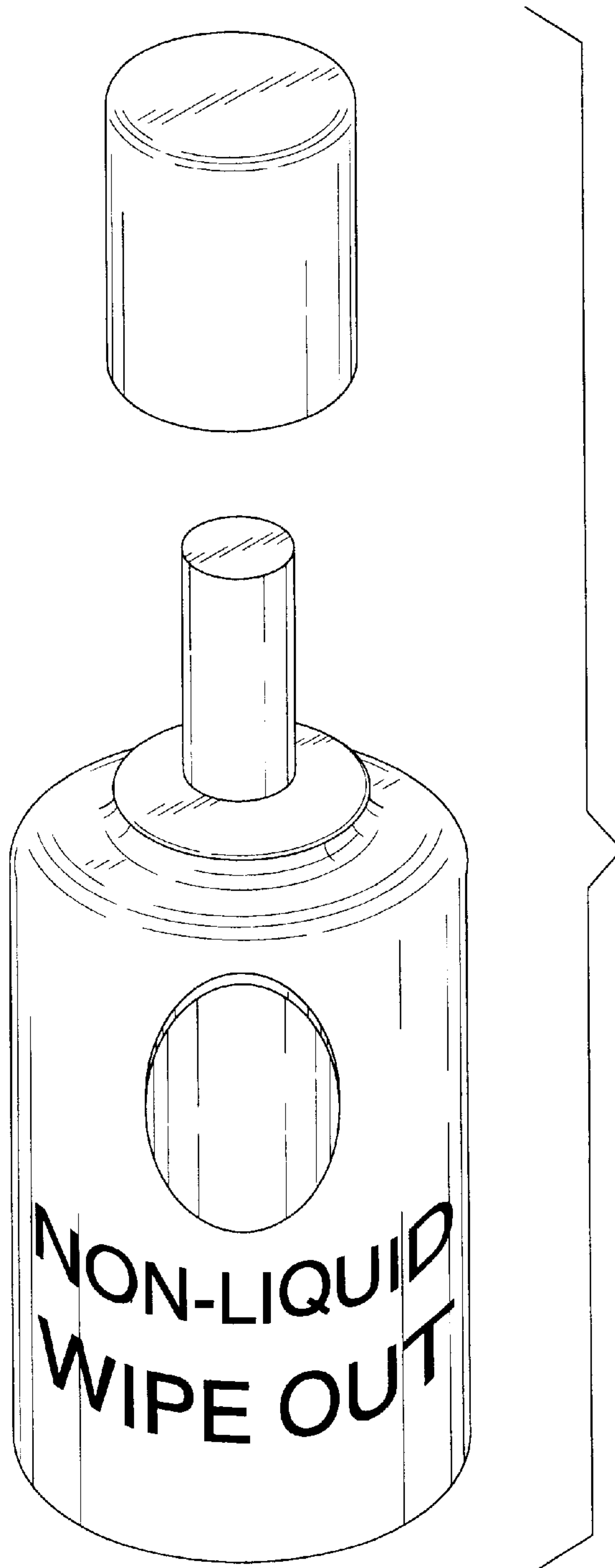


Fig. 1



Fig. 2



Fig. 3

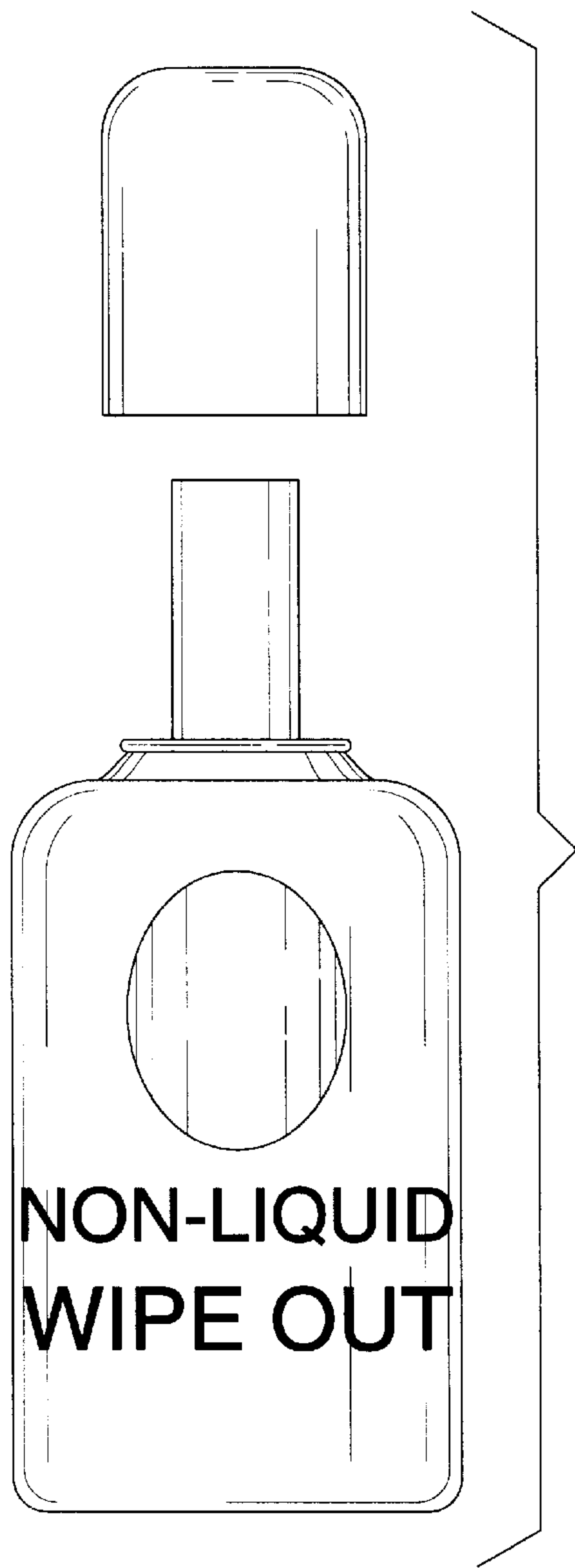


Fig. 4

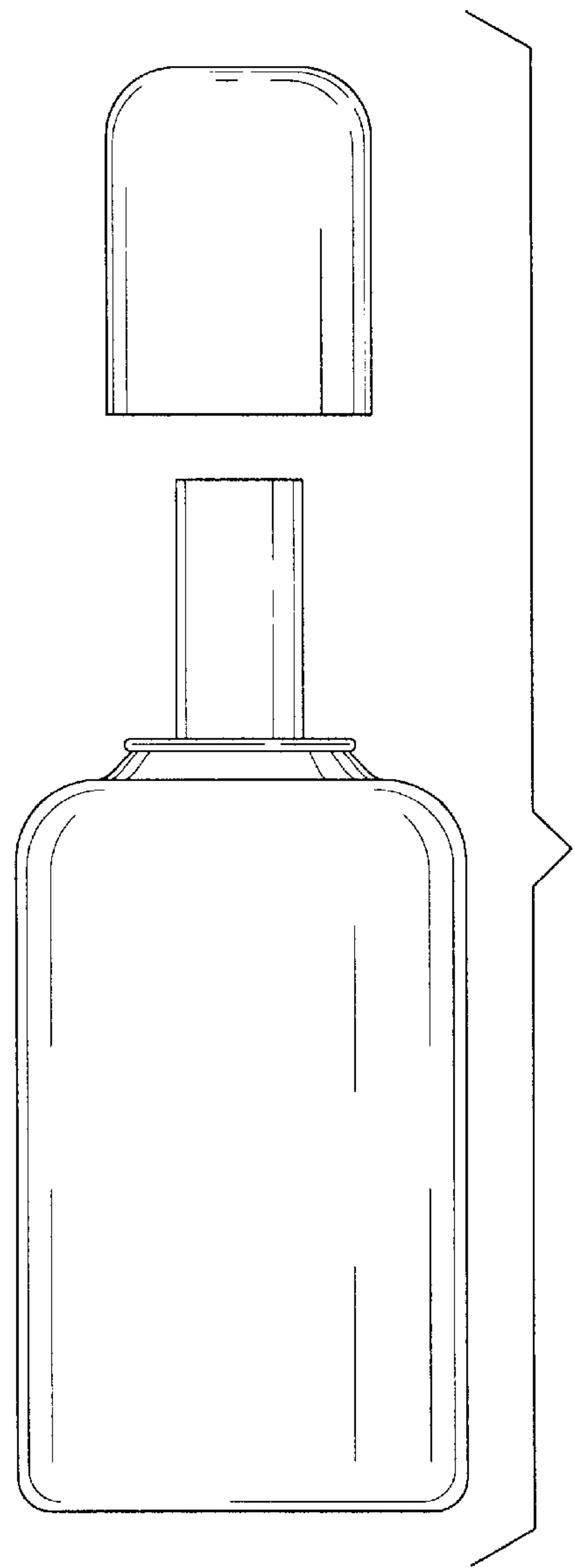


Fig. 5

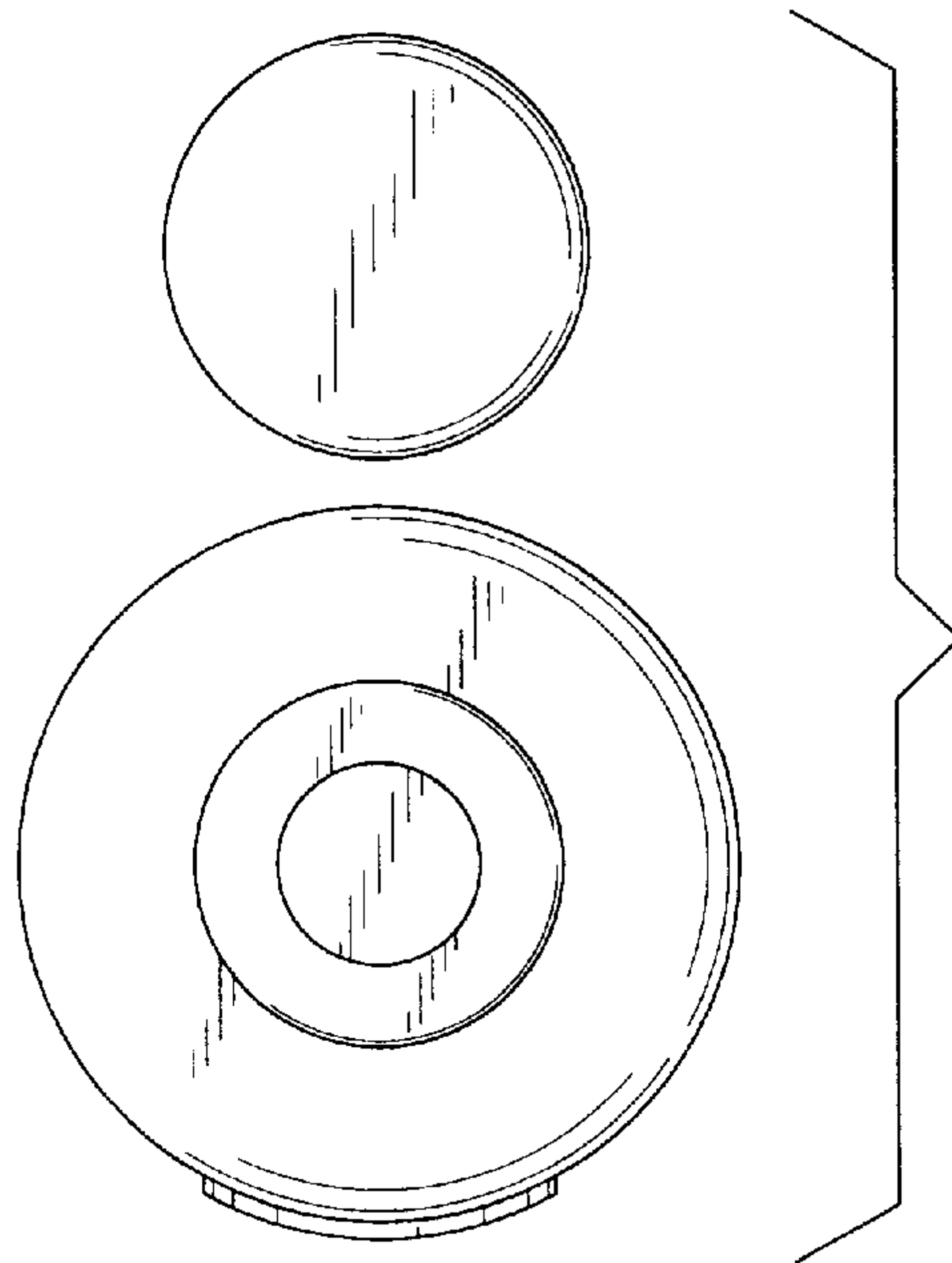


Fig. 6

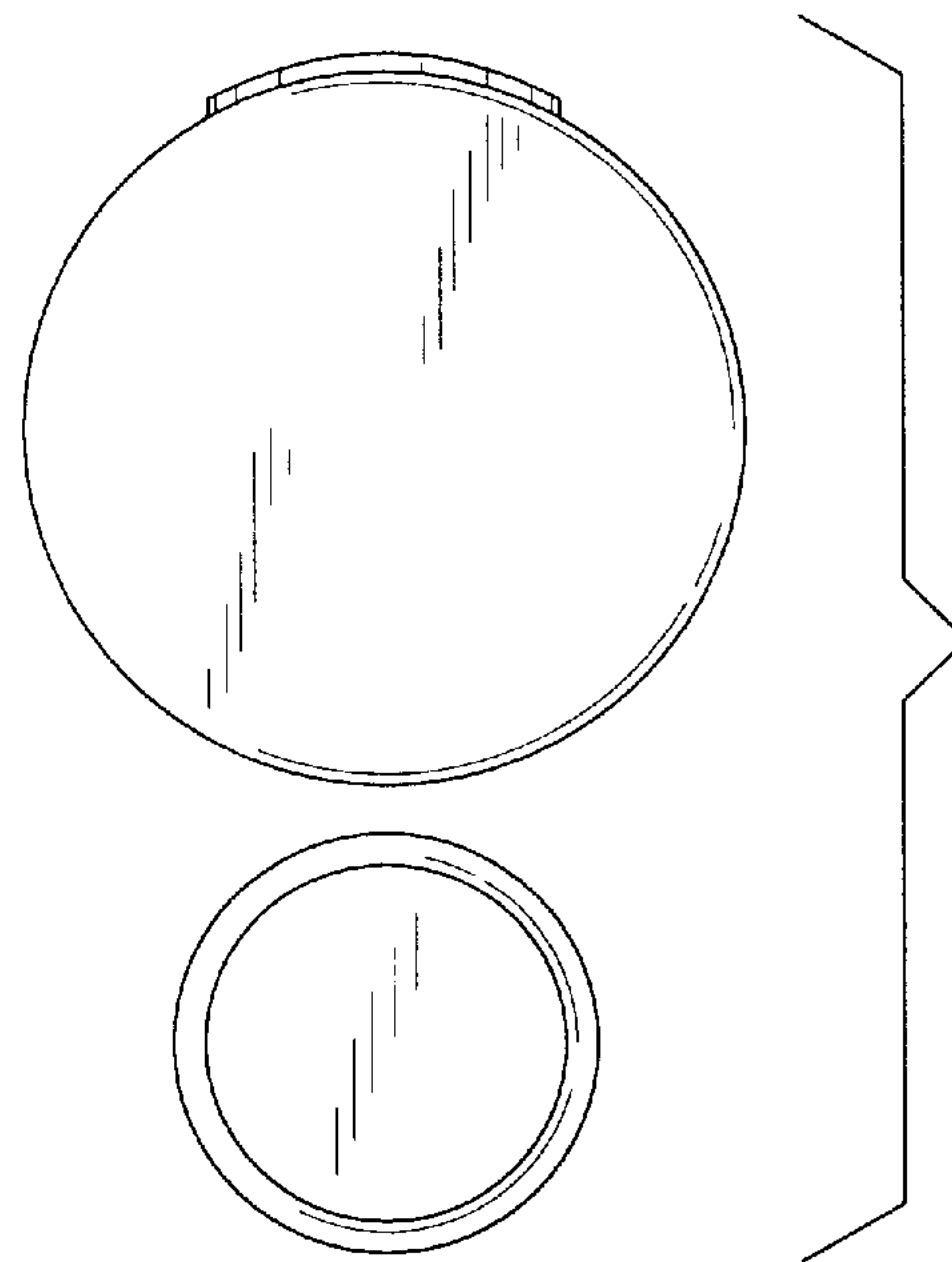


Fig. 7

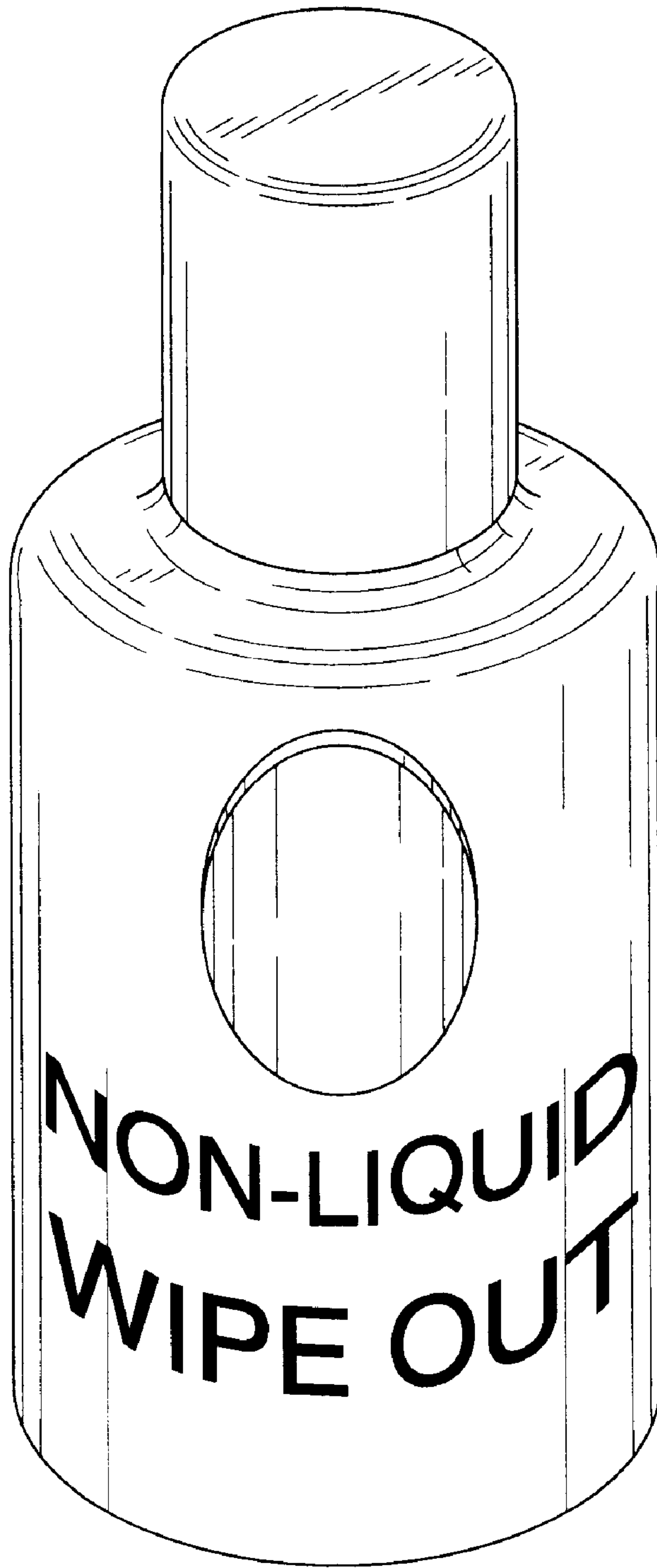


Fig. 8