



US00D416286S

United States Patent [19]

Paras et al.

[11] **Patent Number: Des. 416,286**

[45] **Date of Patent: ** Nov. 9, 1999**

[54] **PEN HOUSING**

[76] Inventors: **Anthony Paras**, 149 W. 4th St., New York, N.Y. 10012; **Elizabeth Bell**, 18 Lexington Ave., New York, N.Y. 10010

[**] Term: **14 Years**

[21] Appl. No.: **29/100,844**

[22] Filed: **Feb. 19, 1999**

Related U.S. Application Data

[63] Continuation-in-part of application No. 08/997,053, Oct. 17, 1997, abandoned, which is a continuation of application No. 08/611,224, Mar. 5, 1996, abandoned.

[51] **LOC (6) Cl.** **19-06**

[52] **U.S. Cl.** **D19/49; D19/46; D19/54**

[58] **Field of Search** D19/35, 36, 41-51, D19/53-58, 81-85; 401/6, 7, 88, 209, 52, 195

[56] References Cited

U.S. PATENT DOCUMENTS

D. 74,119	12/1927	Nelson	D19/46
D. 181,180	10/1957	Blozer	D19/51
D. 187,255	2/1960	Sams et al.	D19/51
D. 188,971	10/1960	Nash et al.	D19/49
D. 190,980	7/1961	Fuchs	D19/49

D. 308,395	6/1990	Mori	D19/42
D. 368,114	3/1996	Hyvonen	D19/42
D. 369,830	5/1996	Hadtke	D19/46
D. 385,913	11/1997	Martin	D19/46
4,217,712	8/1980	Koeln	401/52 X
5,468,083	11/1995	Chesar	401/6

Primary Examiner—Martie K. Holtje
Attorney, Agent, or Firm—Edwin H. Keusey

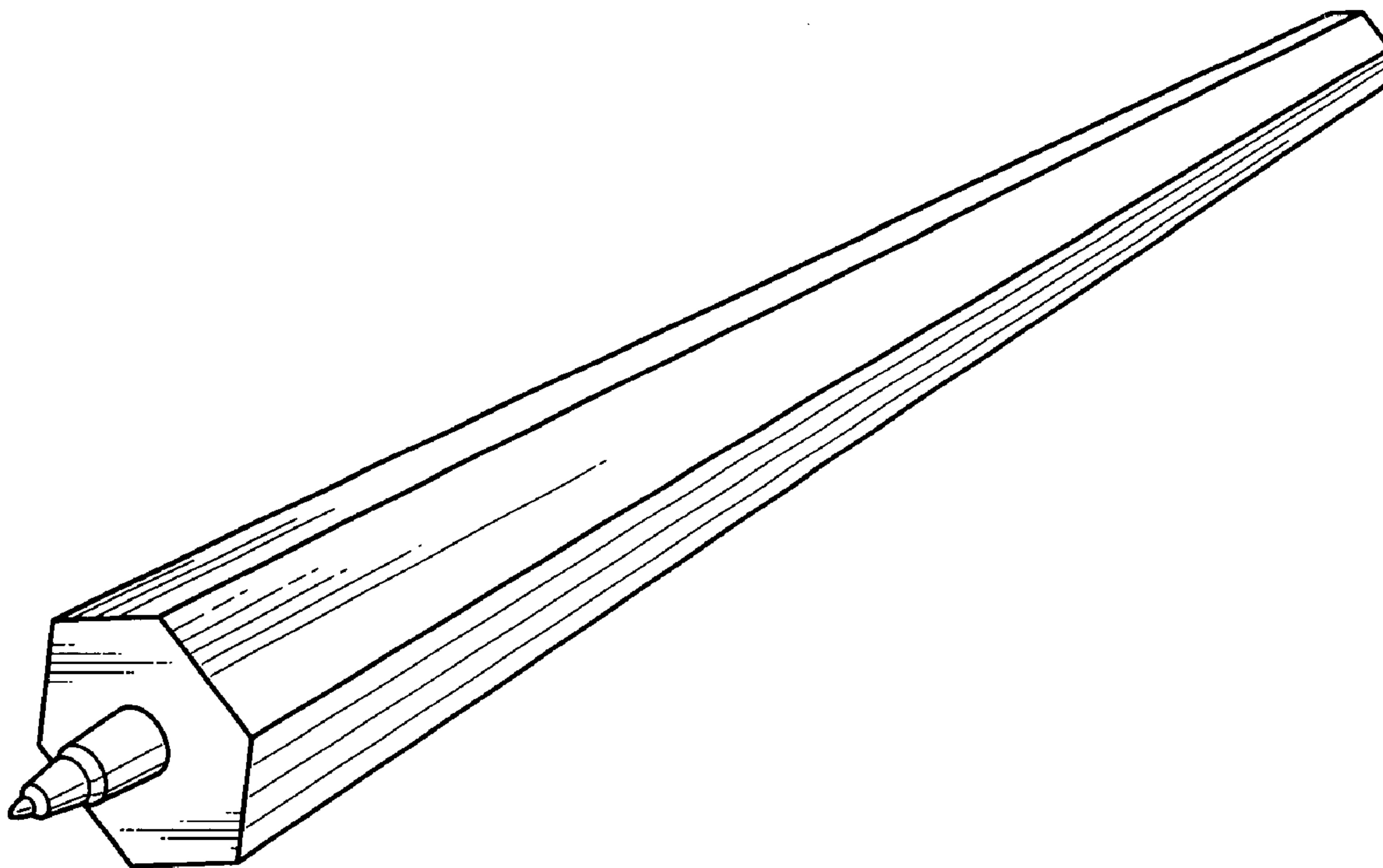
[57] CLAIM

The ornamental design for a pen housing, as shown and described.

DESCRIPTION

FIG. 1 is a perspective view of a pen housing, showing one embodiment of our new design;
 FIG. 2 is a top plan view thereof;
 FIG. 3 is a bottom plan view thereof;
 FIG. 4 is a front elevational view thereof, the rear elevational and top elevational and bottom elevational views being identical;
 FIG. 5 is a perspective view of a pen housing, showing another embodiment of our new design;
 FIG. 6 is a top plan view thereof;
 FIG. 7 is a bottom plan view thereof; and,
 FIG. 8 is a front elevational view thereof, the rear elevational, top elevational and bottom elevational views being identical.

1 Claim, 2 Drawing Sheets



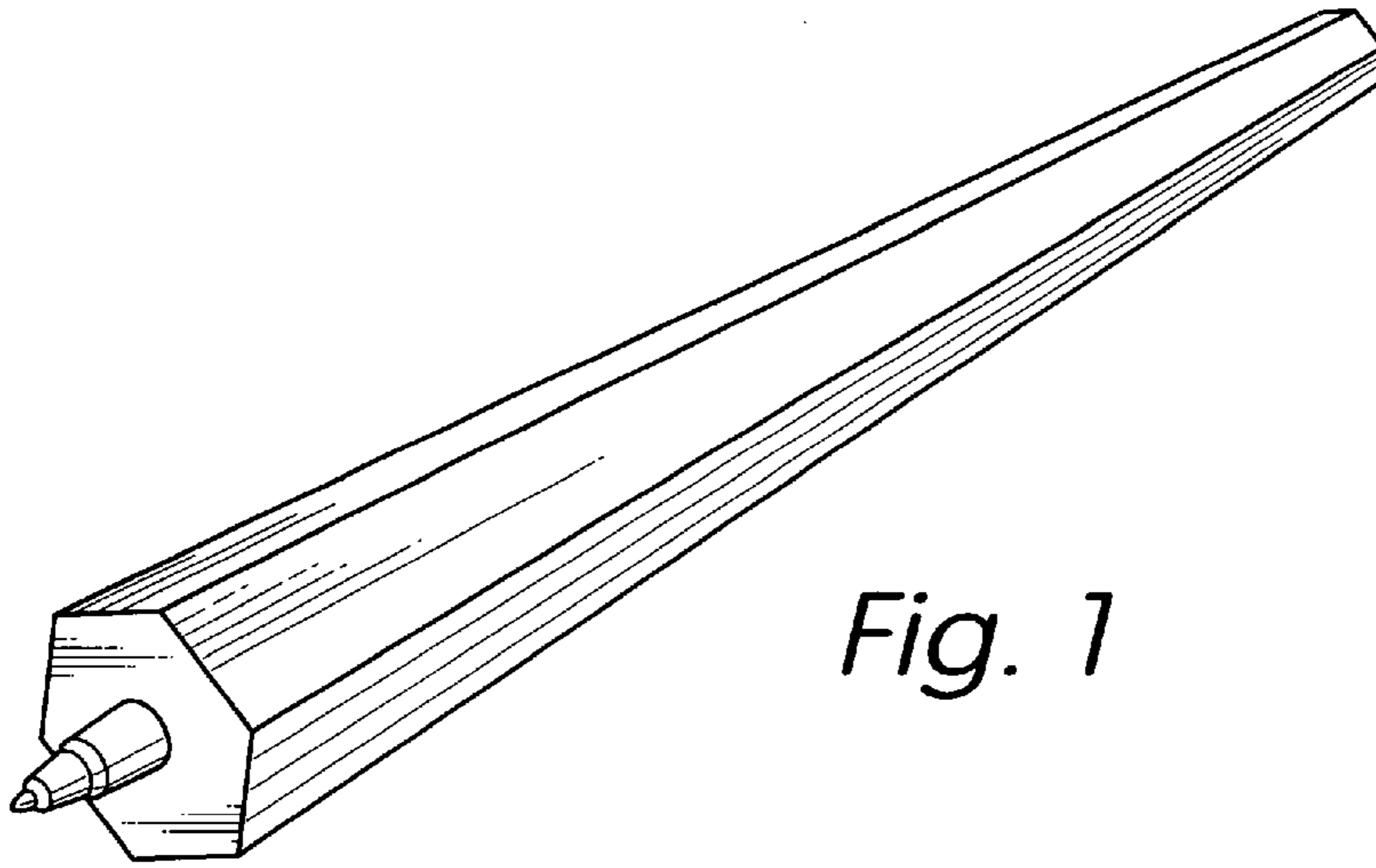


Fig. 1

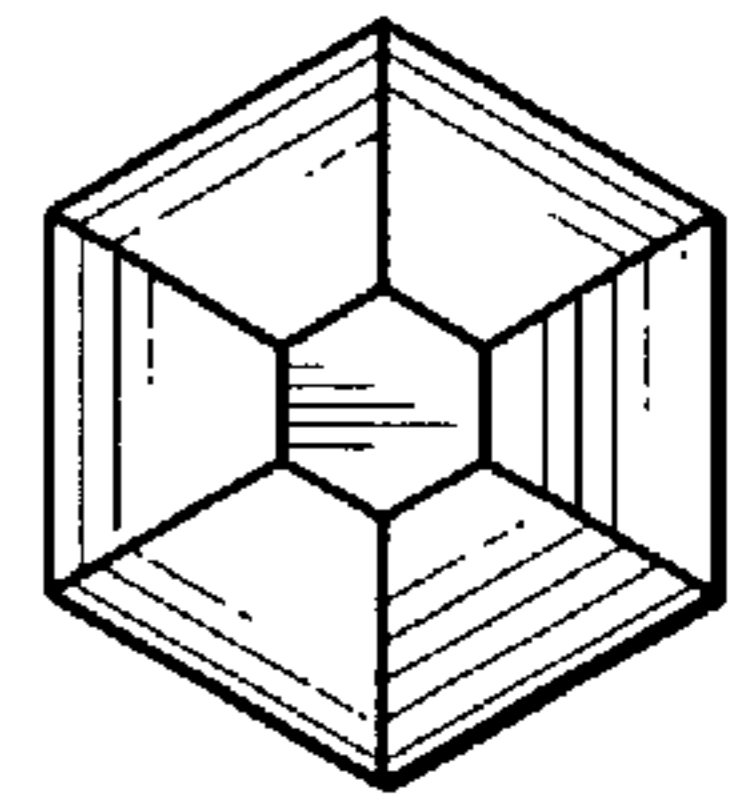


Fig. 2

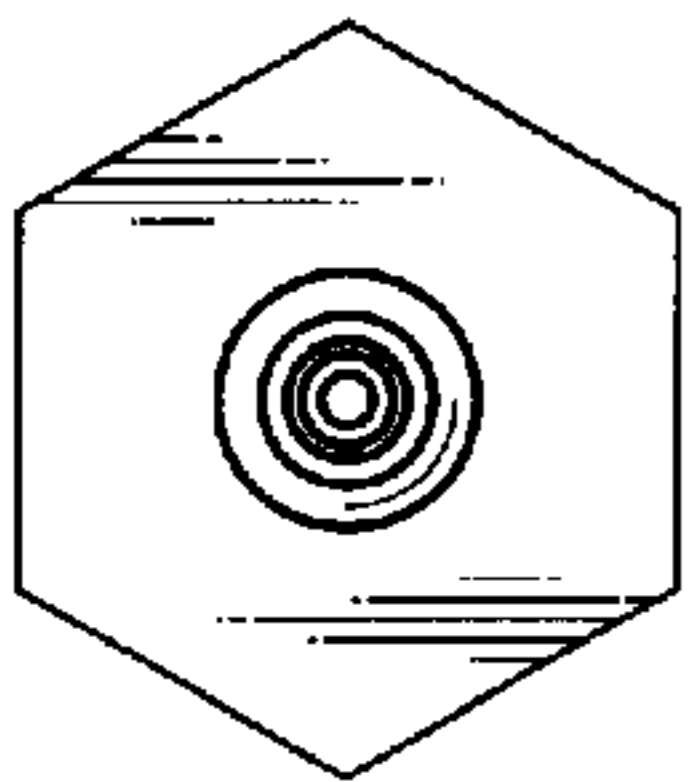


Fig. 3

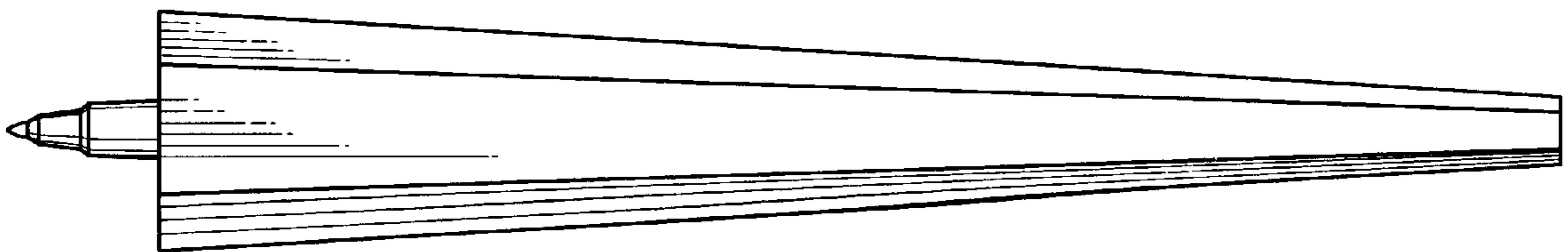


Fig. 4

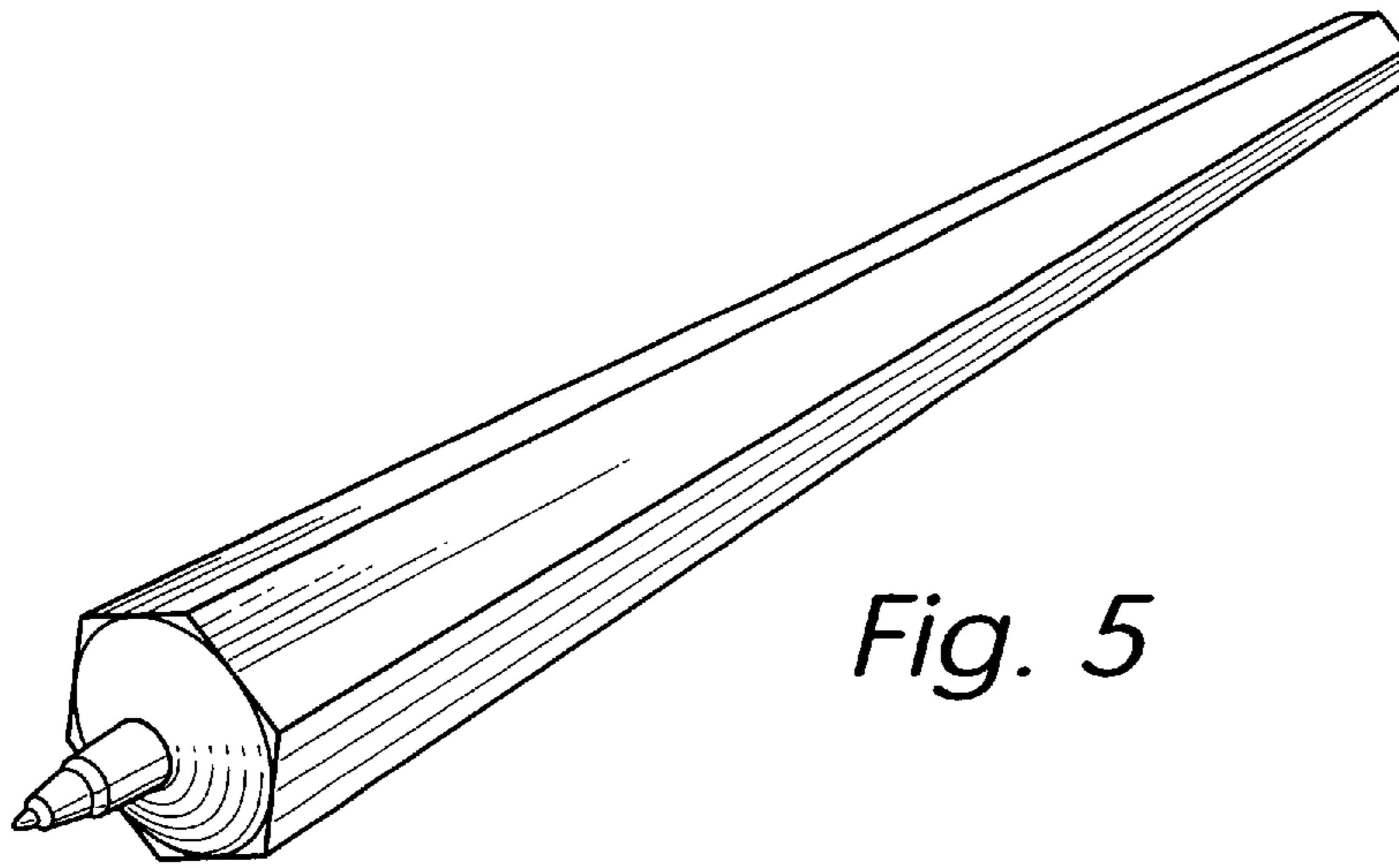


Fig. 5

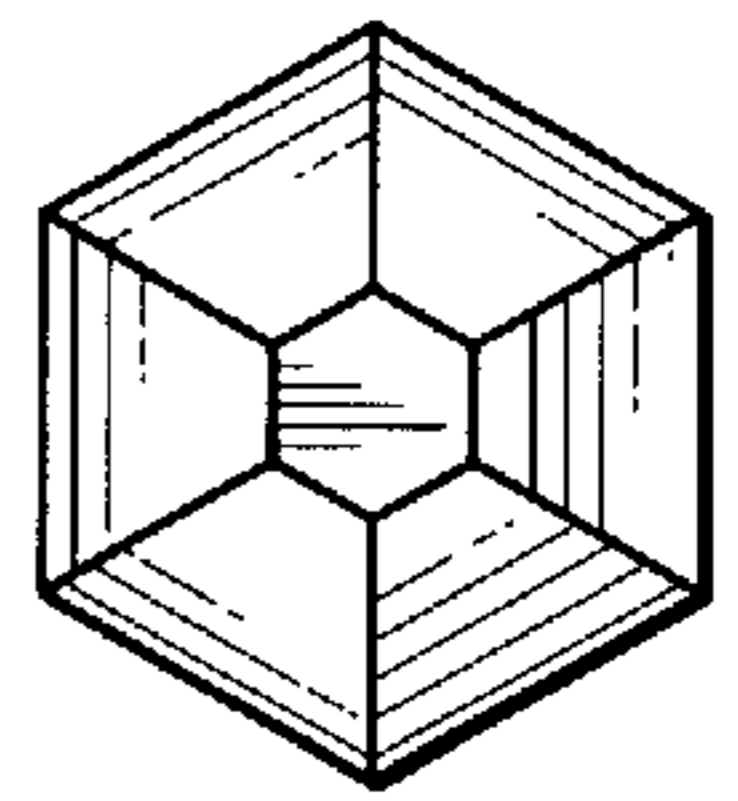


Fig. 6

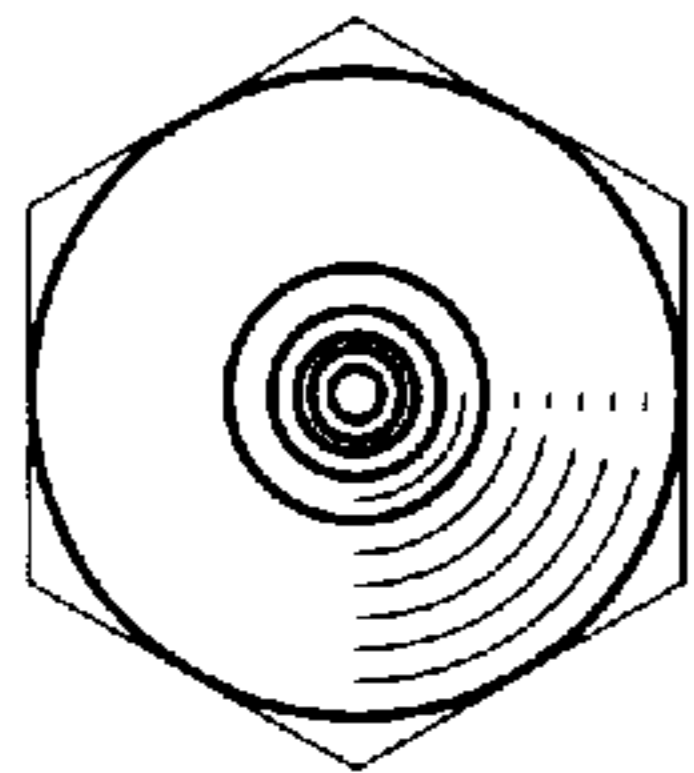


Fig. 7

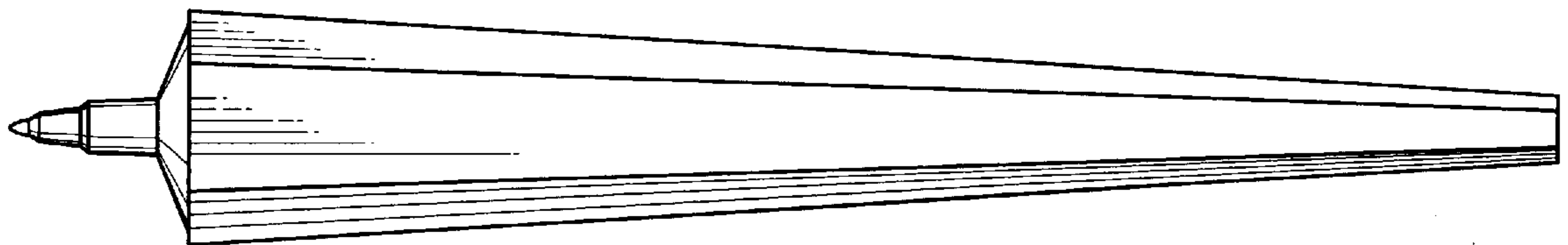


Fig. 8