



US00D416285S

# United States Patent [19]

[11] Patent Number: **Des. 416,285**

Richard

[45] Date of Patent: **\*\* Nov. 9, 1999**

[54] **SPIRAL HOOK FABRIC CLIP**

[76] Inventor: **Benoit Richard**, R.R. # 1, Site 6, Boite 1, Richibucto Village, New Brunswick, Canada, E0A 2N0

[\*\*] Term: **14 Years**

[21] Appl. No.: **29/090,035**

[22] Filed: **Jun. 29, 1998**

[51] **LOC (6) Cl.** ..... **19-03**

[52] **U.S. Cl.** ..... **D19/20; D8/367; D8/370; D8/373; D19/90**

[58] **Field of Search** ..... **D19/20-22, 65, D19/75, 78, 86, 88, 90-91, 99-100; 24/67.1, 67.5, 338, 351, 500, 509, 545-550, 552, 556, 566, 567, DIG. 8, DIG. 10; 40/310, 659; 211/69.8; 248/468; D8/367, 370, 373**

### [56] **References Cited**

#### U.S. PATENT DOCUMENTS

D. 24,287	5/1895	Snedden .....	D8/370
D. 35,518	12/1901	Miller .....	24/556
D. 315,860	4/1991	Joss et al. ....	D8/367
D. 339,978	10/1993	Ferdman .....	D8/370
379,759	3/1888	Bradley .	
D. 400,425	11/1998	Goodman et al. ....	D8/367
D. 403,294	12/1998	Baldwin et al. ....	D8/370
499,608	6/1893	Taylor .	
499,609	6/1893	Taylor .	
501,197	7/1893	Taylor .	
501,198	7/1893	Taylor .	
505,209	9/1893	White .	
1,098,789	6/1914	English .	
1,152,406	9/1915	Gifford .....	24/552
1,590,985	6/1926	Scallen .	

2,129,160	9/1938	Colomy .....	24/552
2,153,724	4/1939	Randal .....	D19/65
2,533,127	12/1950	MacFarlane .....	24/338
2,822,593	2/1958	Sponsel .....	24/67.9
3,266,111	8/1966	Abel .....	D8/370
3,298,651	1/1967	Passer .	
3,474,555	10/1969	Mccaffrey .....	40/659
3,680,819	8/1972	Meland .	
4,041,931	8/1977	Elliott et al. ....	24/549

#### FOREIGN PATENT DOCUMENTS

336887 11/1933 Canada .

*Primary Examiner*—Doris V. Coles

*Assistant Examiner*—Mimosa De

*Attorney, Agent, or Firm*—Mario D. Theriault

### [57] **CLAIM**

The ornamental design for a spiral hook fabric clip, as shown and described.

#### DESCRIPTION

FIG. 1 is a front, top and left side perspective view of a spiral hook fabric clip showing my new design, and a calendar structure attached thereto;

FIG. 2 is another front, top and left side perspective view thereof;

FIG. 3 is a front view thereof;

FIG. 4 is a left side view thereof;

FIG. 5 is a right side view thereof;

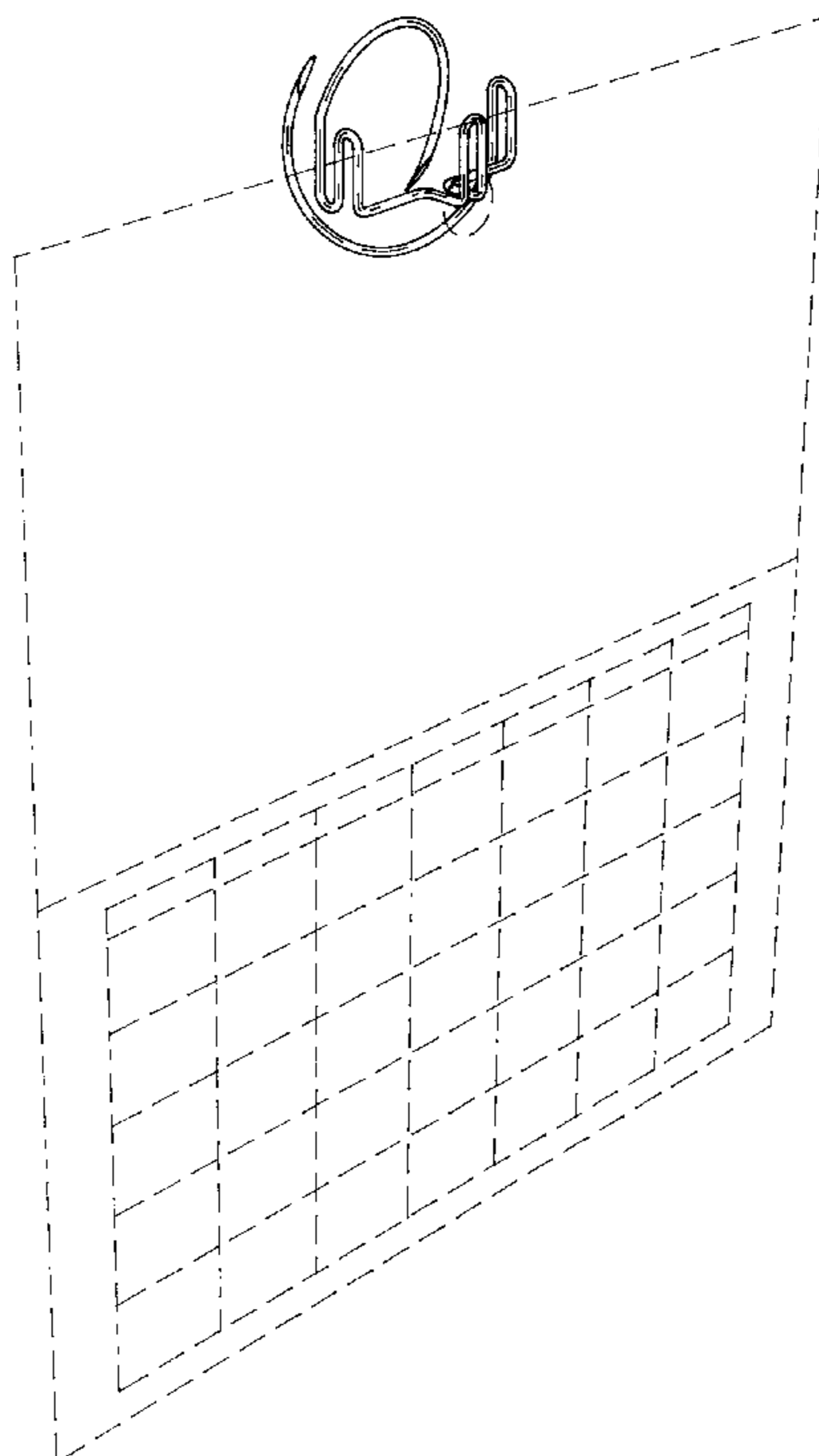
FIG. 6 is a rear view thereof;

FIG. 7 is a top view thereof; and,

FIG. 8 is a bottom view thereof.

The broken line illustration of a calendar structure in FIG. 1 is for illustrative purposes only and forms no part of the claimed design. FIG. 1 shows the article in use.

**1 Claim, 2 Drawing Sheets**



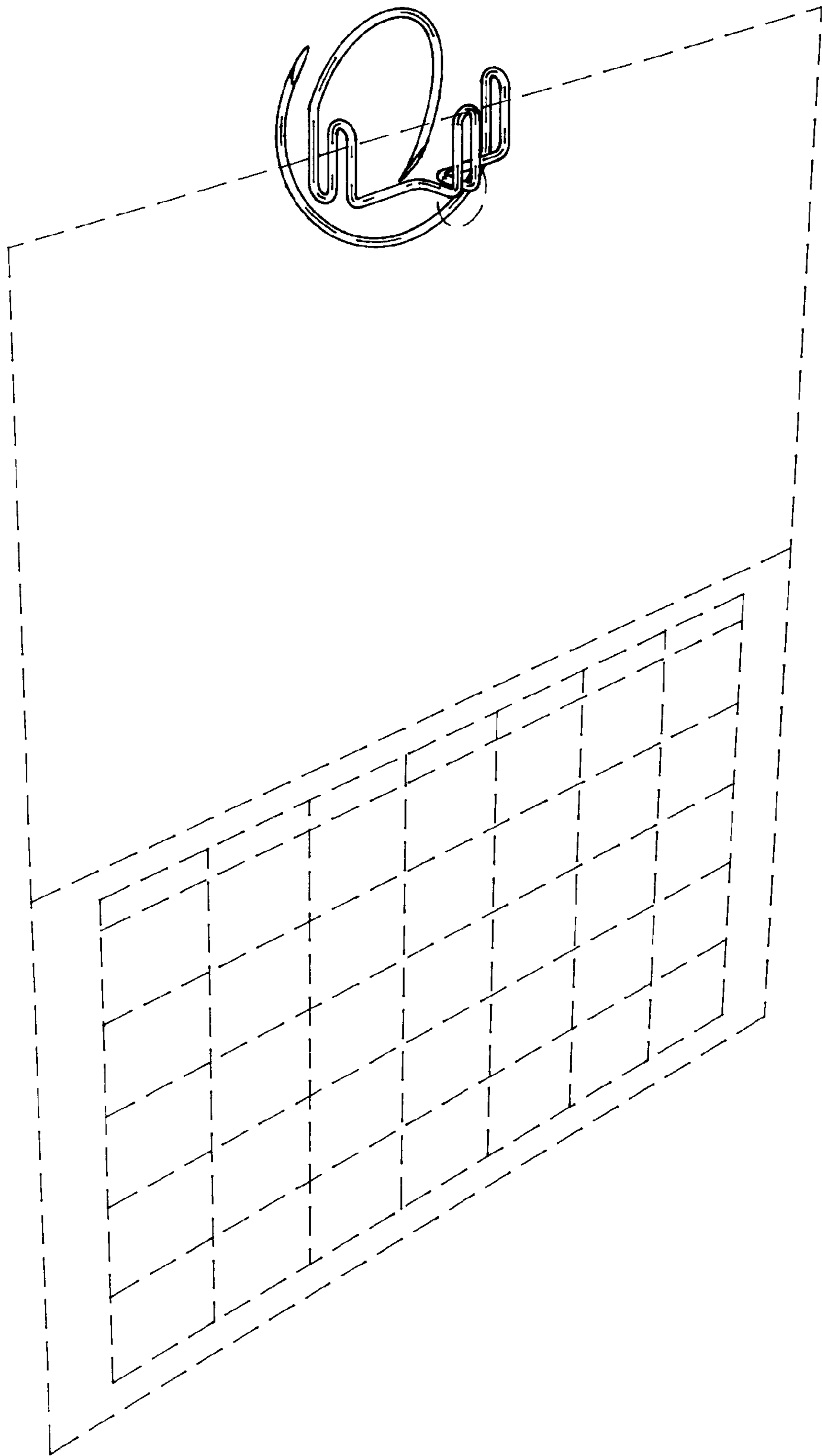


FIG. 1

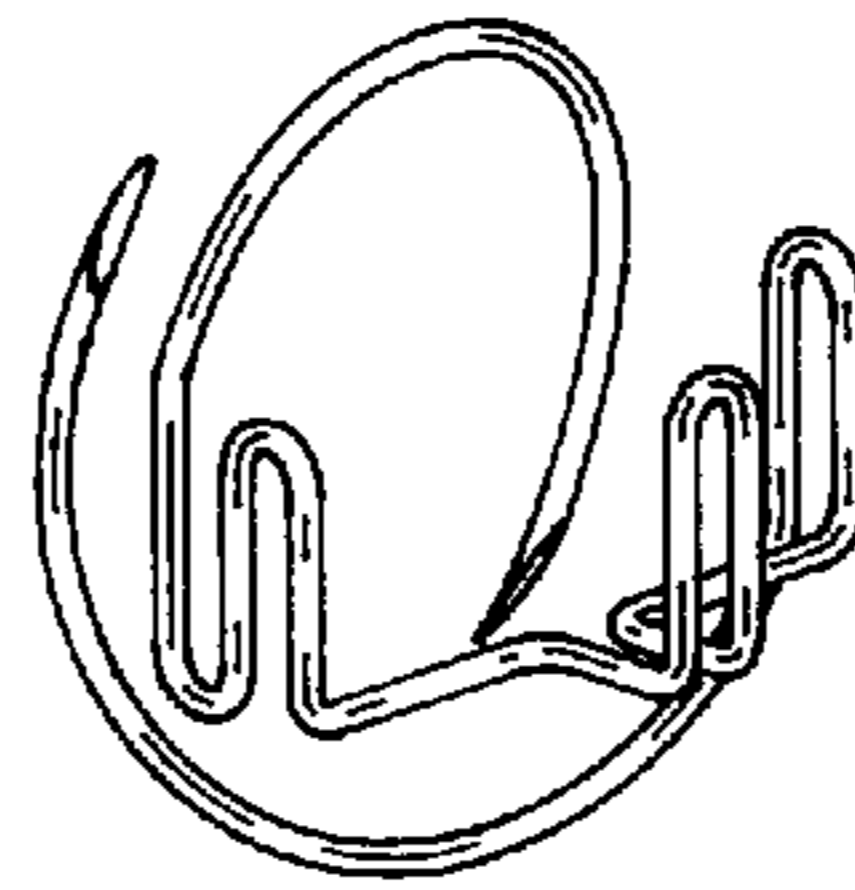


FIG. 2

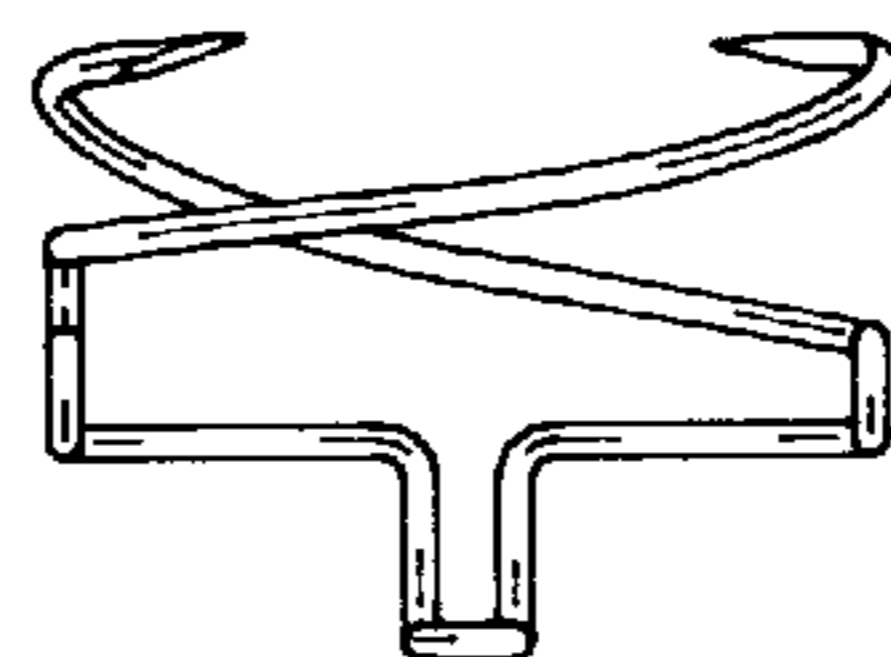


FIG. 7

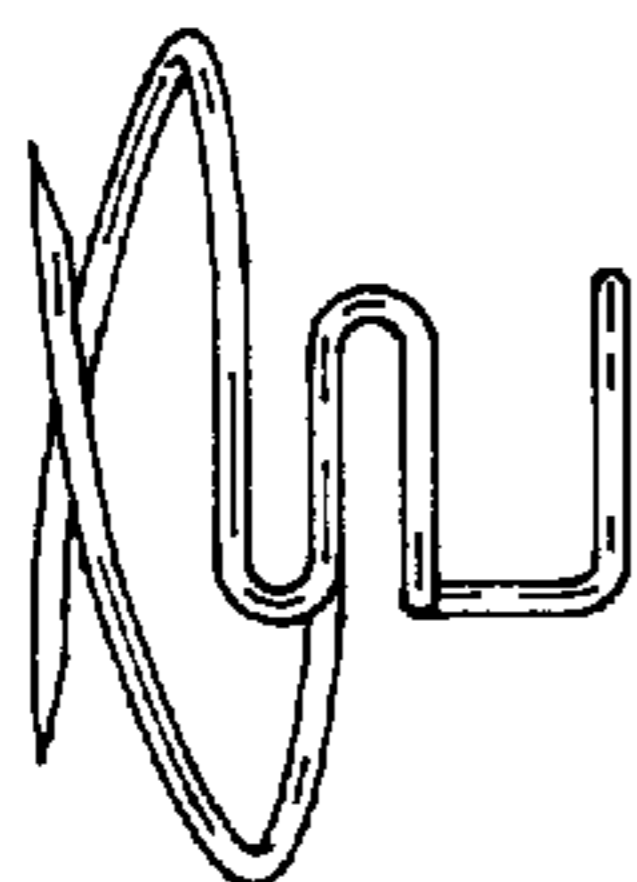


FIG. 4

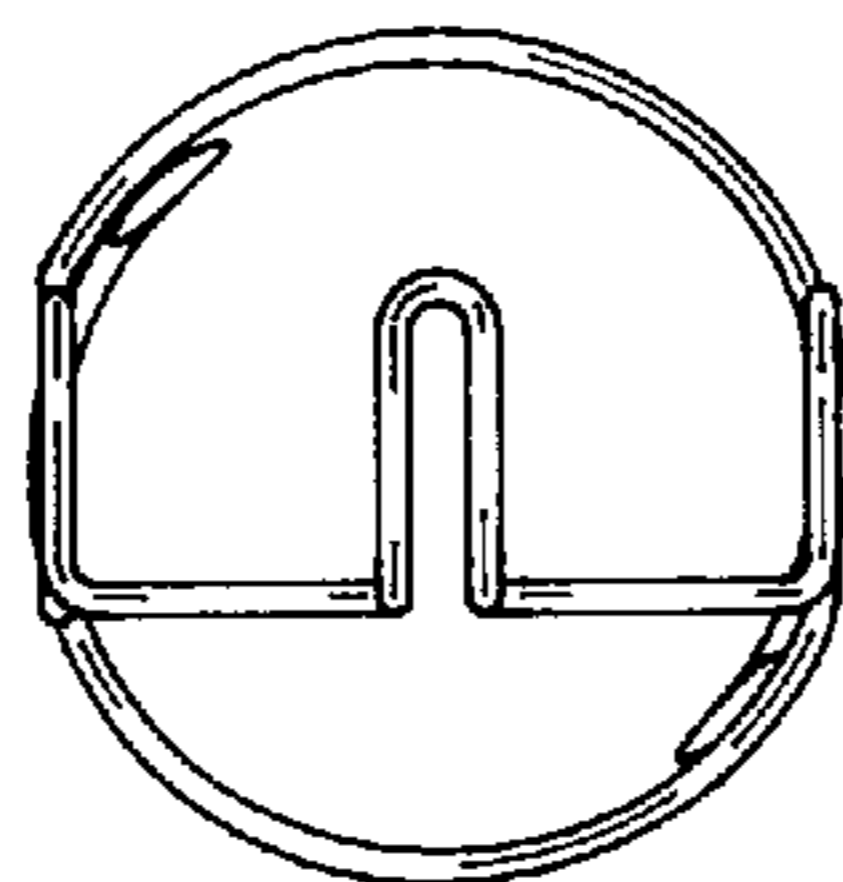


FIG. 3

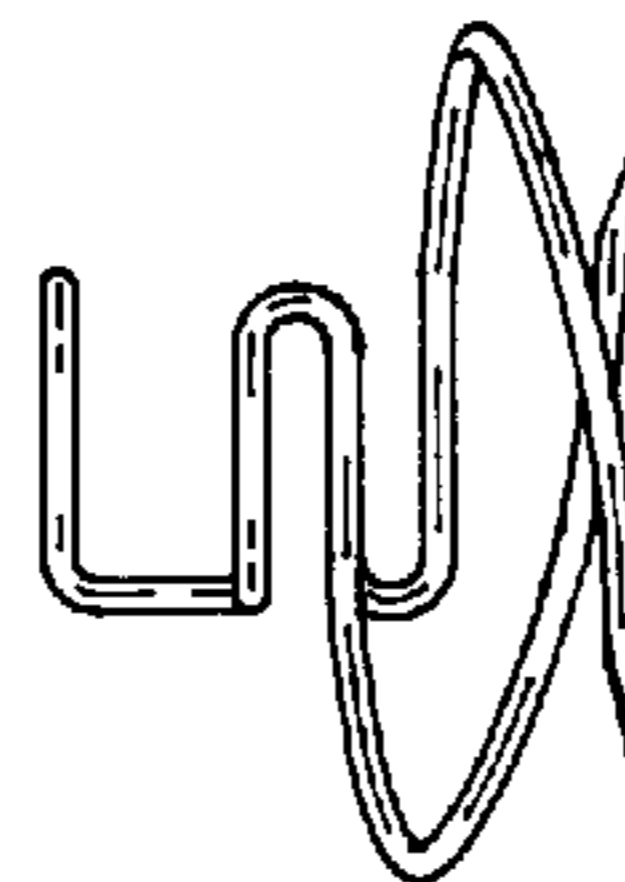


FIG. 5

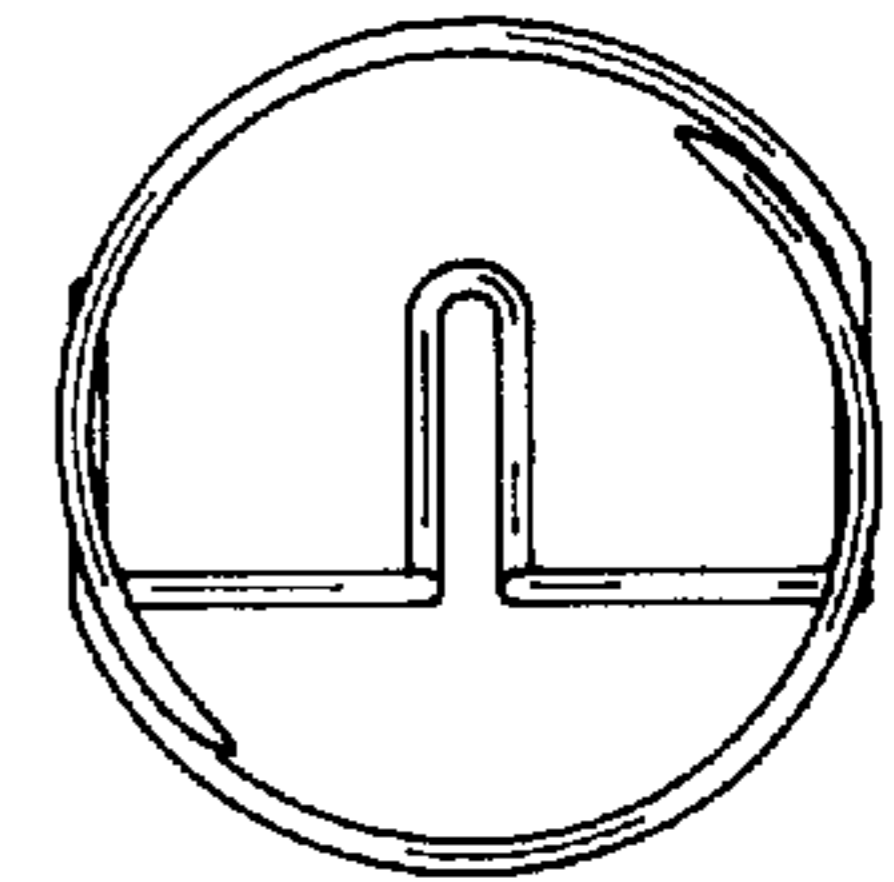


FIG. 6

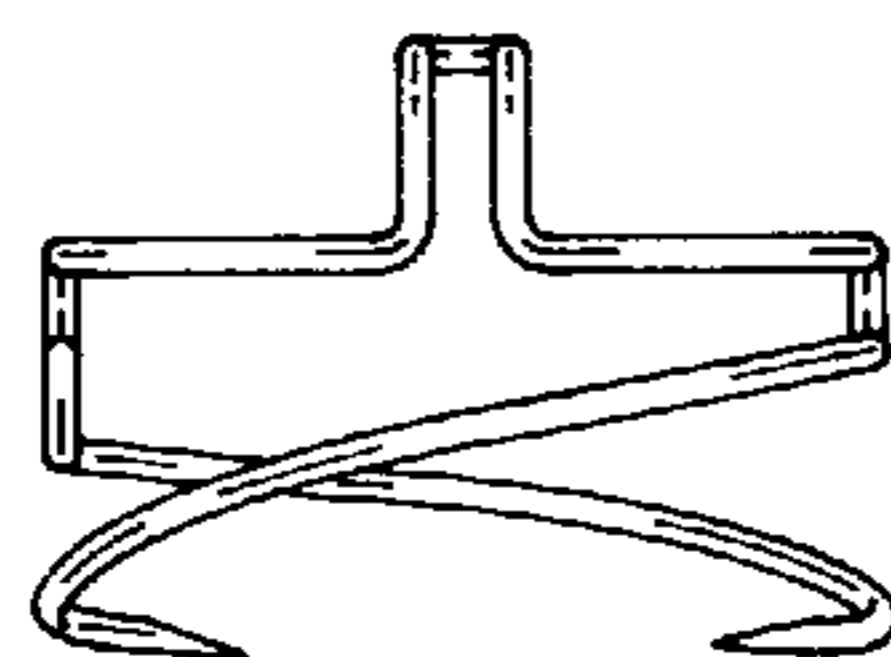


FIG. 8