



US00D416284S

United States Patent [19] O'Malley

[11] Patent Number: Des. 416,284

[45] Date of Patent: ** Nov. 9, 1999

[54] CALENDAR CARD HOLDER

[76] Inventor: Michael O'Malley, 2102 N. Clifton, Chicago, Ill. 60614

[**] Term: 14 Years

[21] Appl. No.: 29/088,170

[22] Filed: May 18, 1998

[51] LOC (6) Cl. 19-03

[52] U.S. Cl. D19/20

[58] Field of Search D19/20, 21, 22, D19/23, 24, 25, 26, 27, 7.8, 91; D20/15, 23; D6/310, 311, 314; 40/107, 110, 116, 119, 121, 122, 747, 748, 750, 754, 755, 786; 283/2

[56] **References Cited**

U.S. PATENT DOCUMENTS

D. 130,591	12/1941	Oesterreicher	D6/311
D. 147,742	10/1947	Bowers	D20/23
D. 194,411	1/1963	Goldsmith	D20/15
D. 310,919	10/1990	Sakai	D6/311
D. 354,520	1/1995	Pong	D19/91
D. 367,560	3/1996	Kwan	D6/310
D. 369,828	5/1996	Waldinger	D19/20
D. 371,244	7/1996	Weshler	D6/314
D. 383,491	9/1997	Chang	D19/20
3,021,631	2/1962	Cross	40/755

Primary Examiner—Doris V. Coles
Assistant Examiner—Mimosa De
Attorney, Agent, or Firm—Baker & McKenzie

[57] **CLAIM**

The ornamental design for a calendar card holder, as shown and described.

DESCRIPTION

FIG. 1 is a perspective view of a calendar card holder showing my new design in closed position; FIG. 2 is a perspective view thereof in an opened position; FIG. 3 is an enlarged top plan view thereof in a closed position; FIG. 4 is an enlarged bottom plan view thereof in a closed position; FIG. 5 is an enlarged bottom end view thereof in a closed position; FIG. 6 is an enlarged top end view thereof in a closed position; FIG. 7 is an enlarged side view thereof in a closed position; FIG. 8 is an enlarged top plan view thereof in an open position; FIG. 9 is an enlarged bottom view thereof in an open position; FIG. 10 is an enlarged front elevational view thereof in an open position; FIG. 11 is an enlarged rear elevational view thereof in an open position; and, FIG. 12 is an enlarged side elevational view thereof in an open position. The broken line showing of the calendar in FIG. 2 of the drawing is for illustrative purposes only and forms no part of the claimed design.

1 Claim, 2 Drawing Sheets

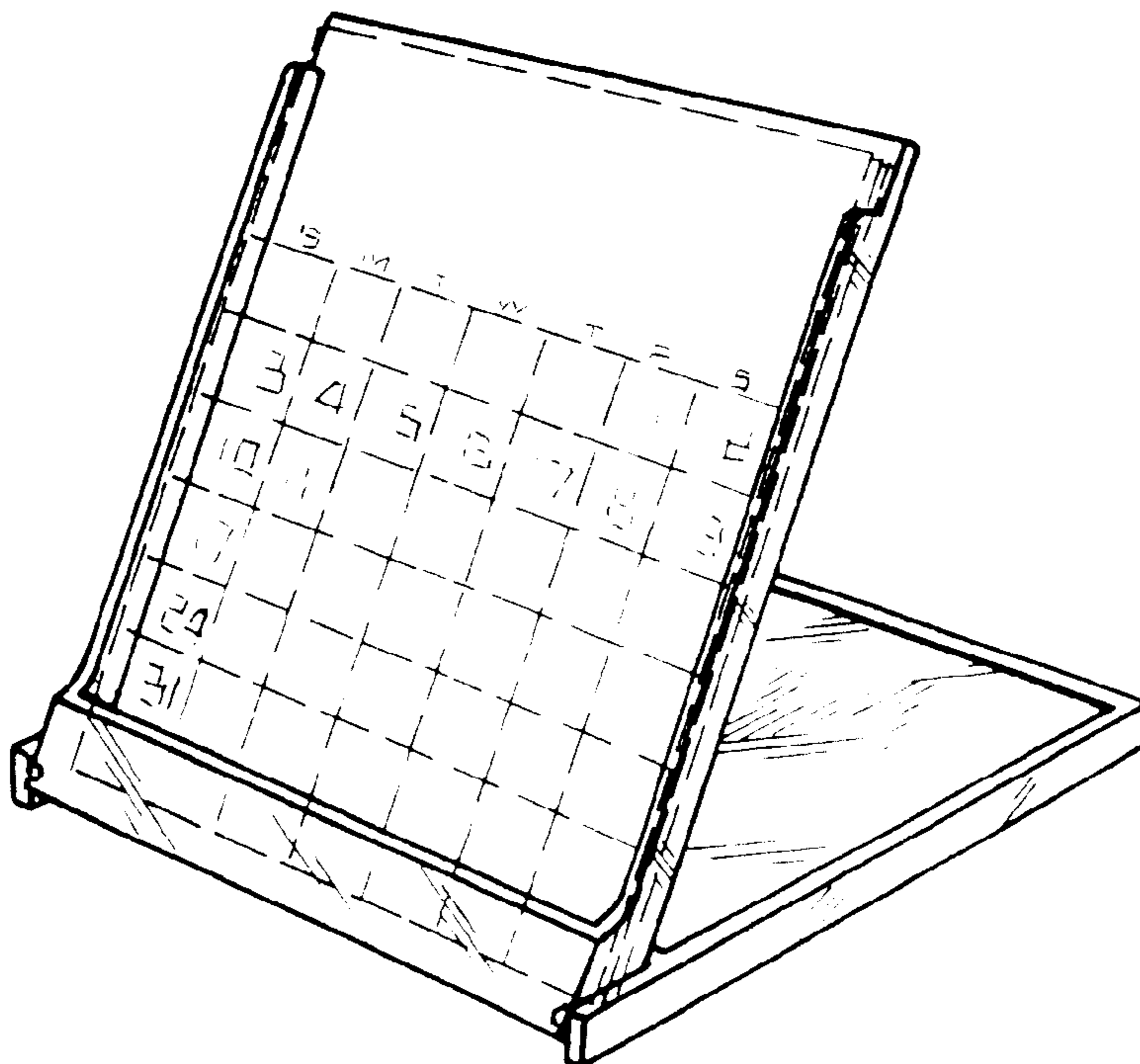


Fig 1

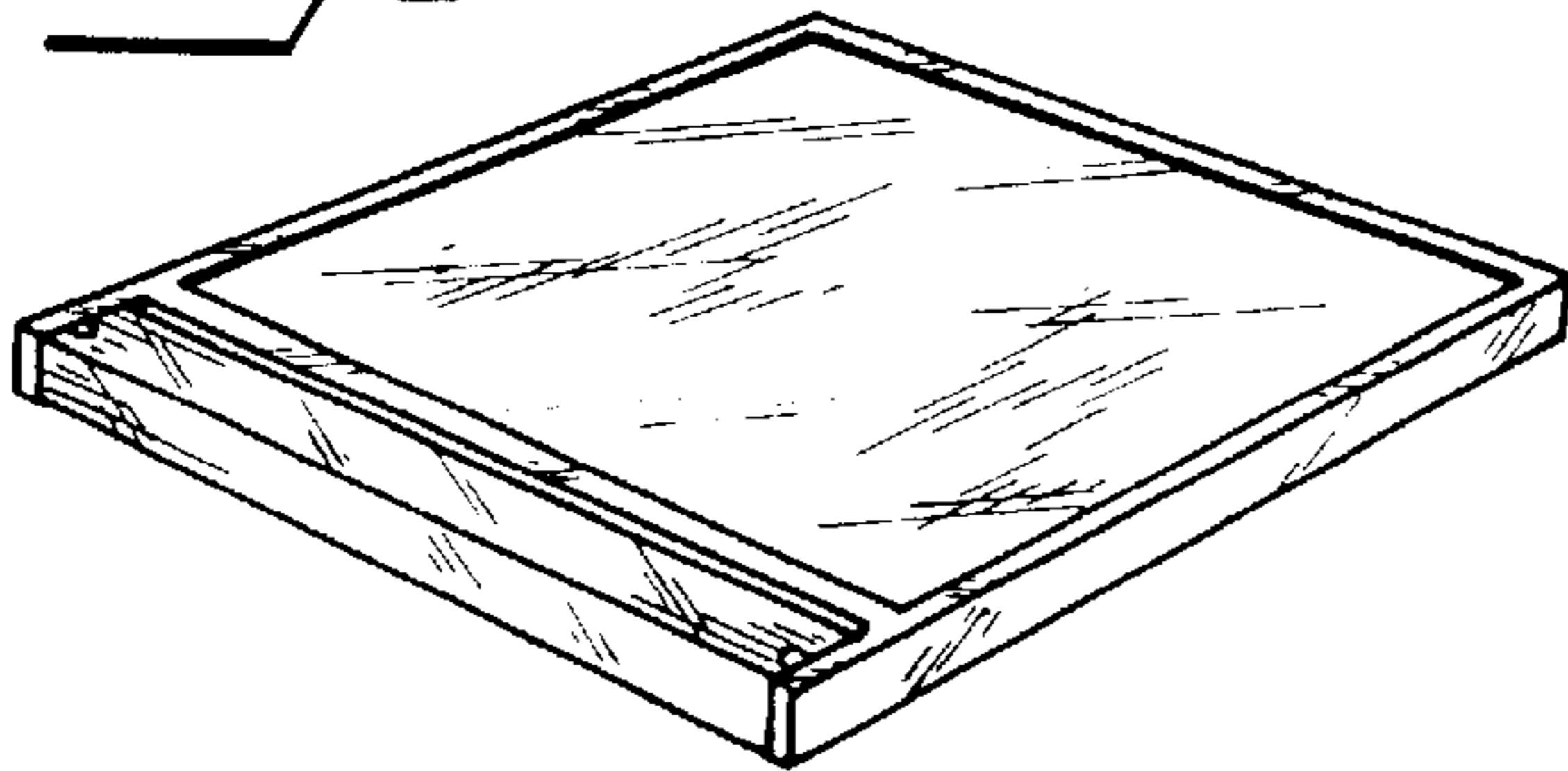


Fig 2

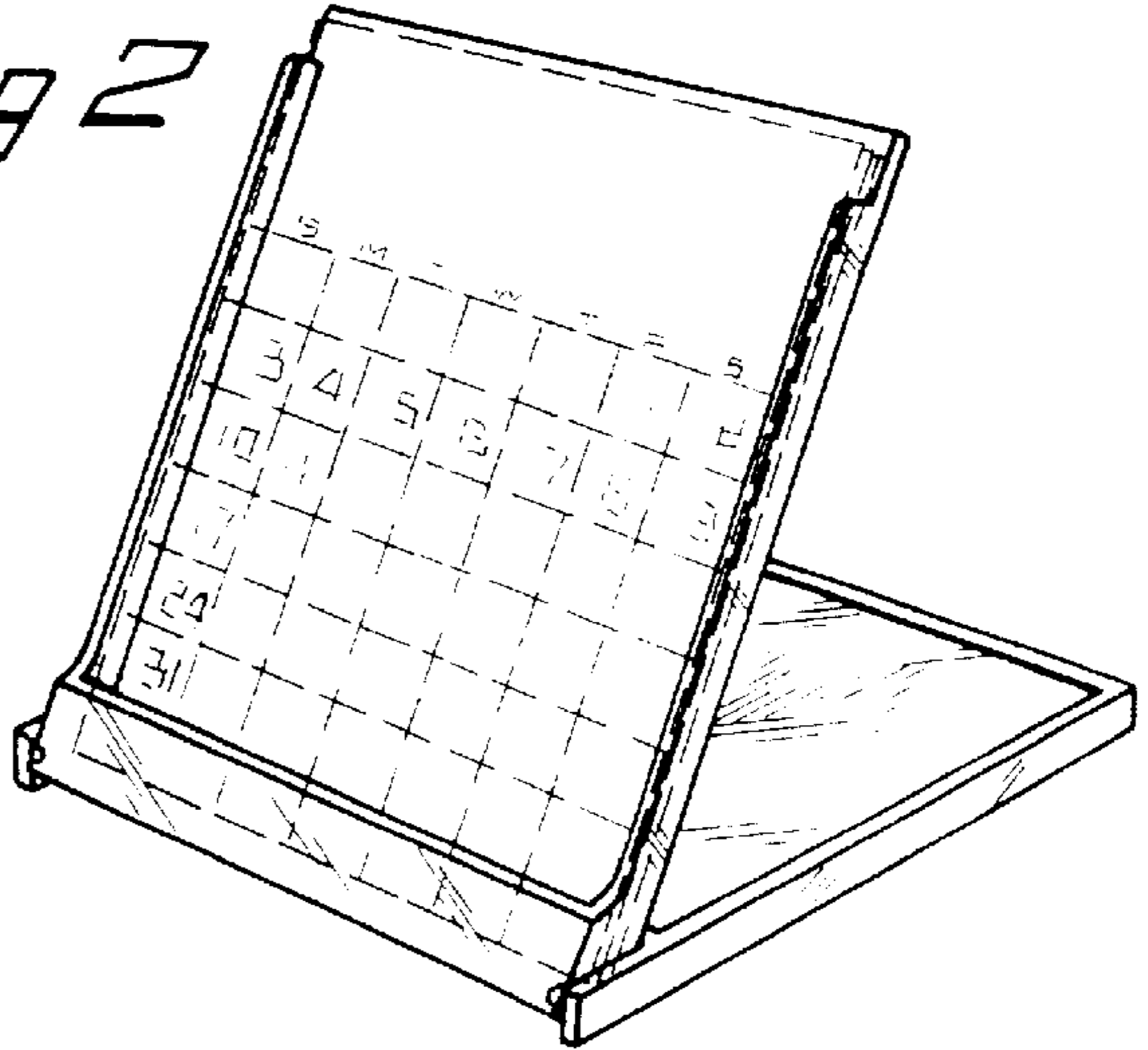


Fig 3

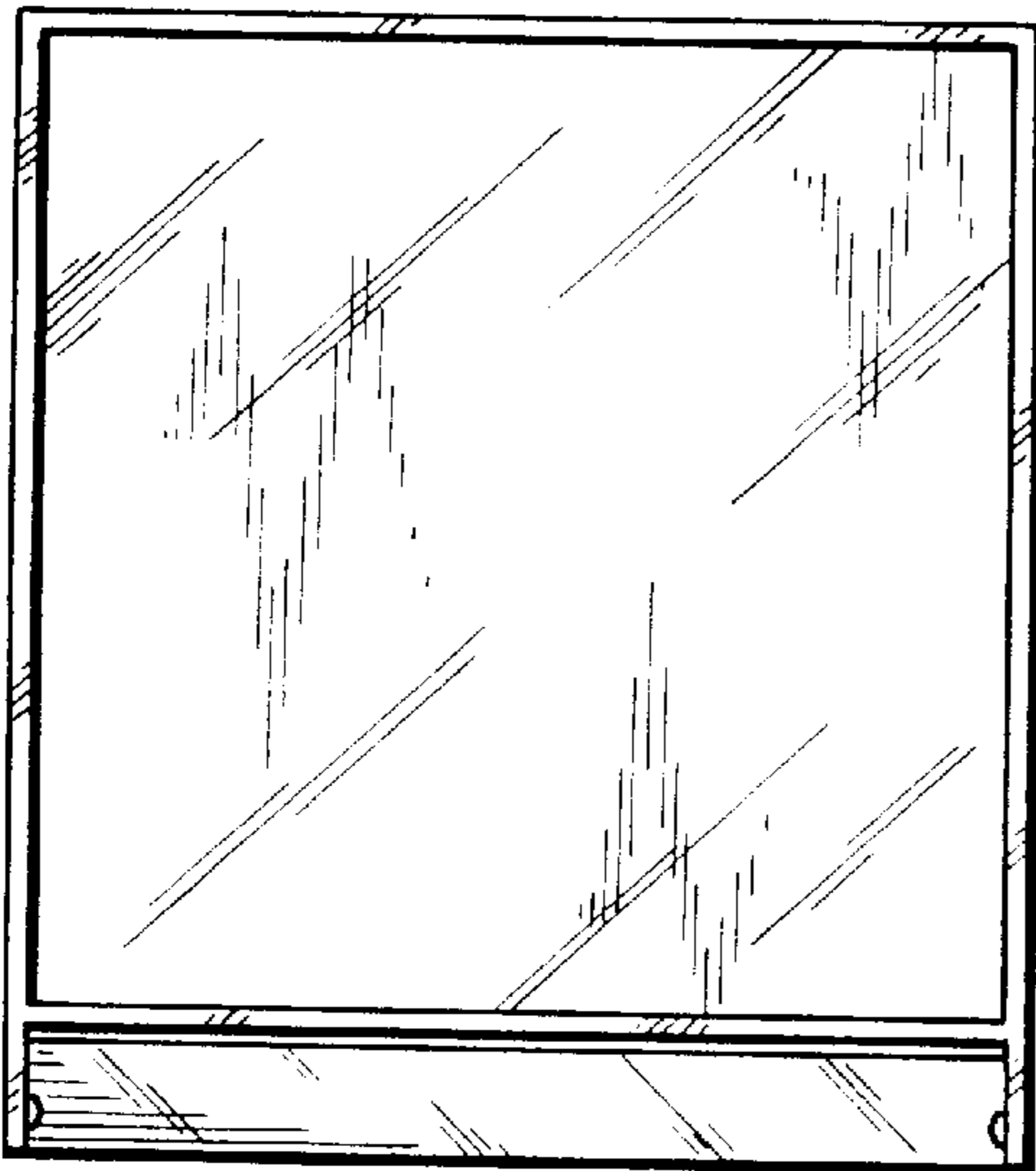


Fig 4

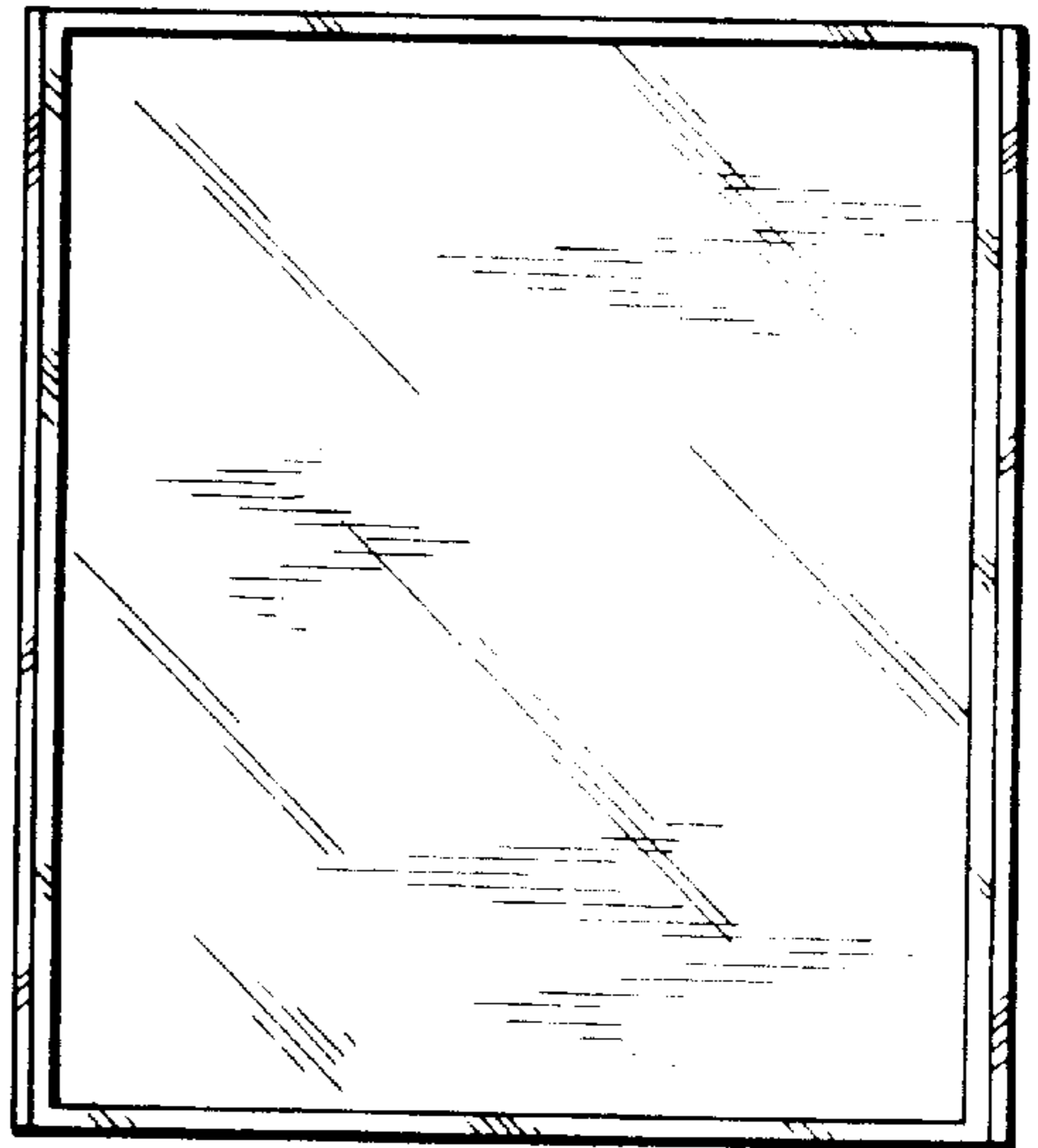


Fig 5



Fig 6



Fig 7

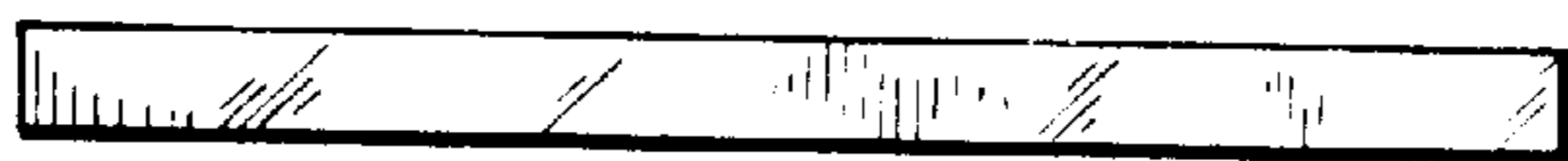


Fig 8

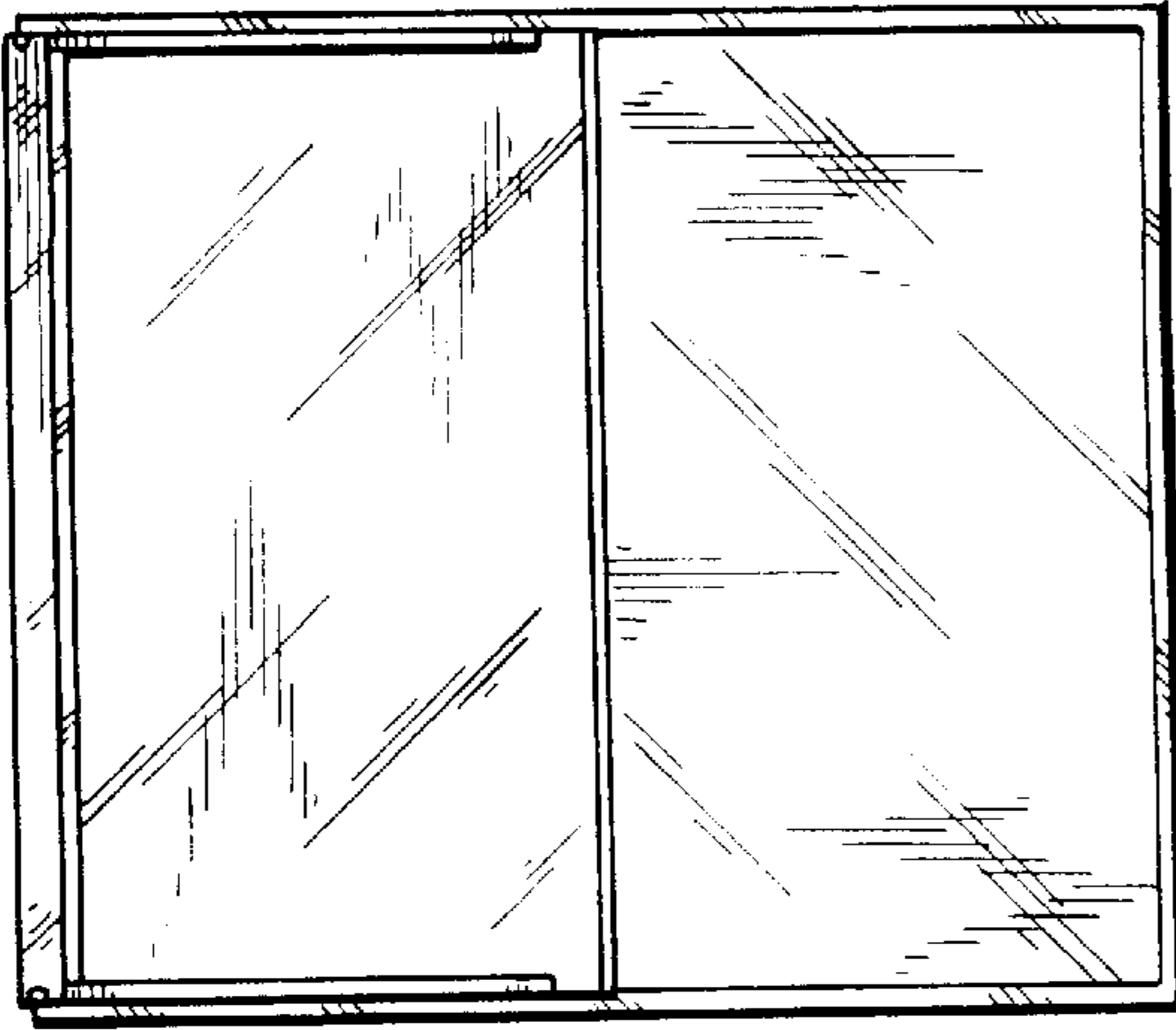


Fig 9

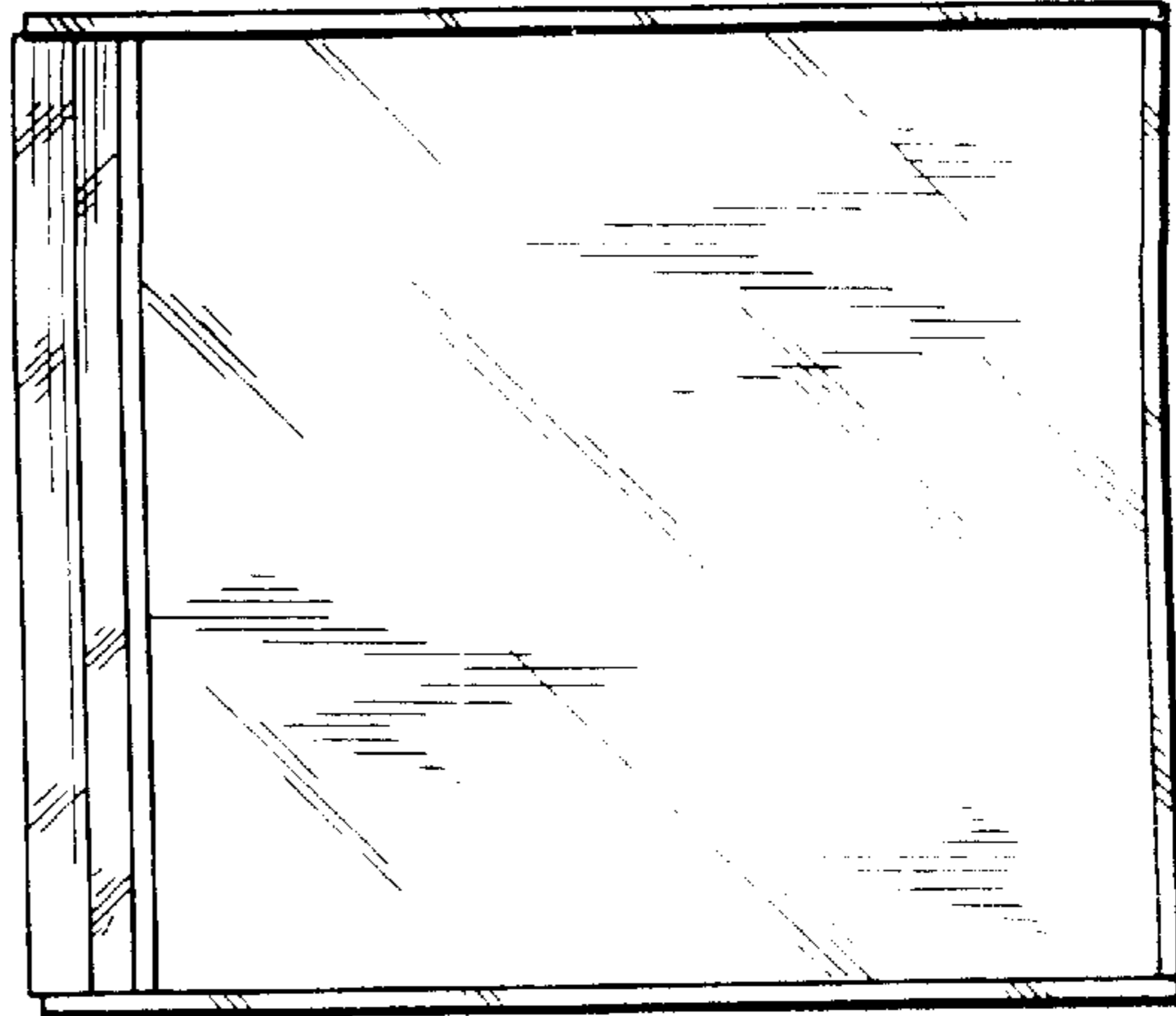


Fig 10

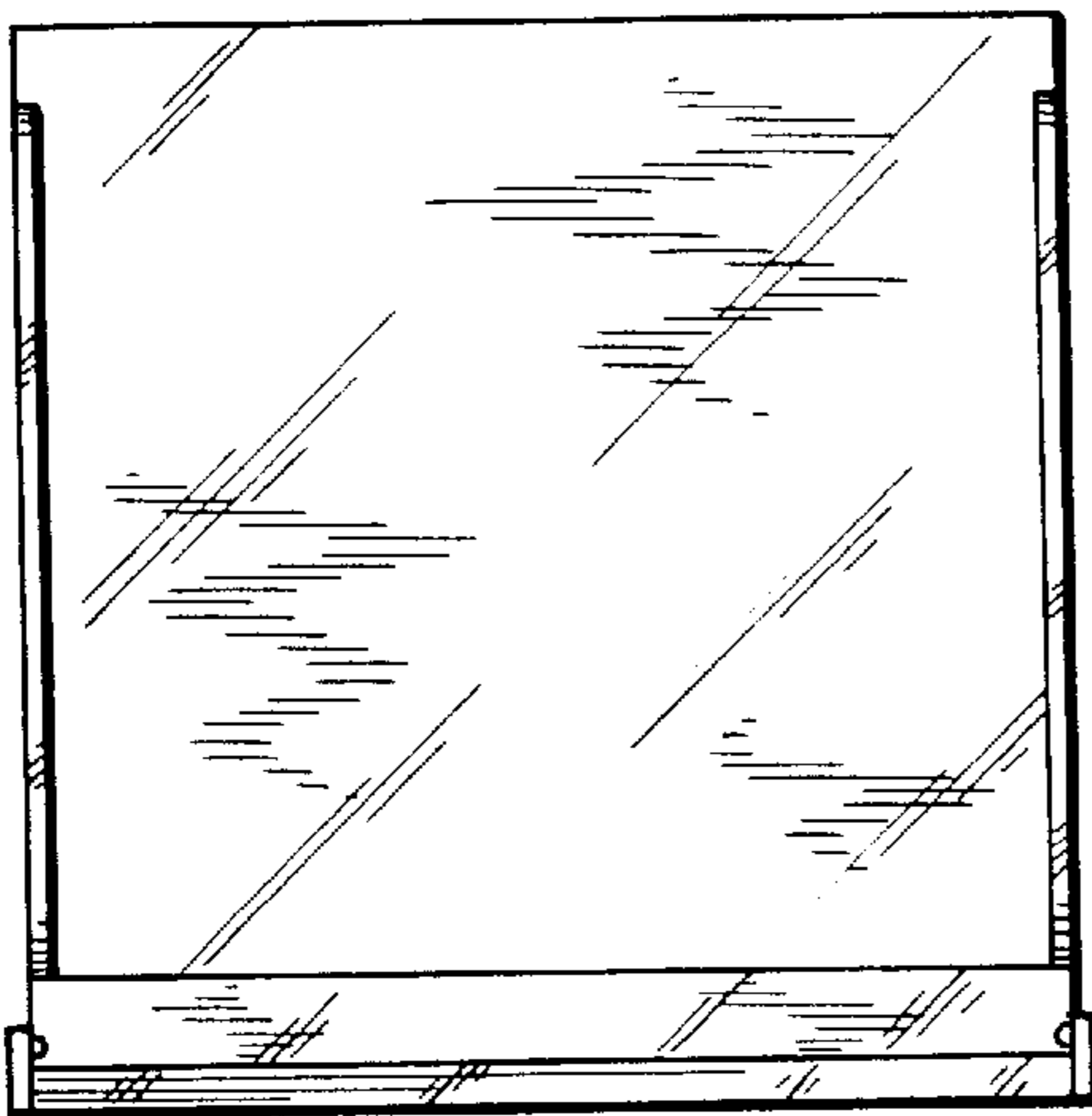


Fig 11

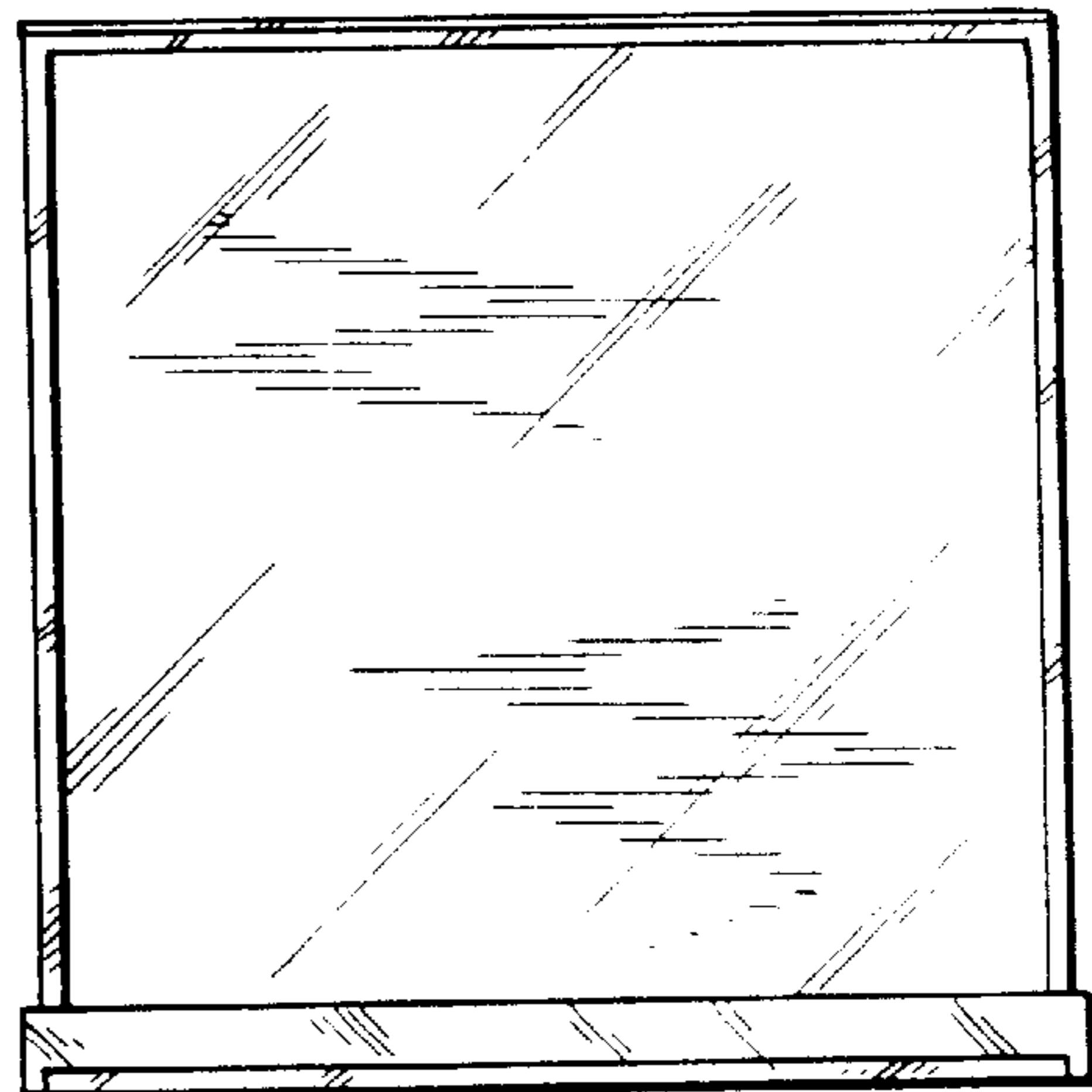


Fig 12

