



US00D416283S

United States Patent [19]

Yamashita et al.

[11] Patent Number: Des. 416,283

[45] Date of Patent: ** Nov. 9, 1999

[54] PRINTING MACHINE

[75] Inventors: **Makoto Yamashita; Nobuhiko Karafuji**, both of Tokyo; **Takashi Iwamoto**, Hiroshima-ken, all of Japan

[73] Assignee: **Ryobi, Ltd.**, Fuchu, Japan

[**] Term: **14 Years**

[21] Appl. No.: **29/091,981**

[22] Filed: **Aug. 10, 1998**

[30] Foreign Application Priority Data

Apr. 20, 1998 [JP] Japan 10-11169

[51] LOC (6) Cl. **18-02**

[52] U.S. Cl. **D18/53**

[58] Field of Search D18/53, 55, 50;
101/171, 174, 179, 177, 180-183, 140-142,
145

[56] References Cited

U.S. PATENT DOCUMENTS

- D. 194,764 3/1963 Glaser .
- D. 252,933 9/1979 Schott .
- D. 321,000 10/1991 Kitamura et al. .
- D. 332,464 1/1993 Doi et al. .
- D. 373,790 9/1996 Karafuji et al. .
- D. 378,831 4/1997 Karafuji et al. .
- D. 396,243 7/1998 Brisk et al. .

- D. 405,108 2/1999 Karafuji et al. .
- 5,103,730 4/1992 Sarda .

OTHER PUBLICATIONS

“Lithoweeek”, (from the shoes), advertisement for the Akiama, p. 28, Dec. 1987.
 DE Gerschmacksmusterblatt, Heft 11, No. M94 09 823 (Jun. 1995).
 Heidelberg product brochure (Dec. 1979).
 “Lithoweeek”, advertisement for the “Miller TP unimatic C3”, no page (Dec. 1987).

Primary Examiner—Louis S. Zarfaz
Assistant Examiner—Gregory Andoll
Attorney, Agent, or Firm—Foley & Lardner

[57] CLAIM

The ornamental design for a printing machine, as shown and described.

DESCRIPTION

FIG. 1 is a top, front, left perspective view of a printing machine showing our new design;
 FIG. 2 is a top, rear, right perspective view thereof;
 FIG. 3 is a top plan view thereof;
 FIG. 4 is a front elevational view thereof;
 FIG. 5 is a rear elevational view thereof;
 FIG. 6 is a bottom plan view thereof;
 FIG. 7 is a left side elevational view thereof; and,
 FIG. 8 is a right side elevational view thereof.

1 Claim, 7 Drawing Sheets

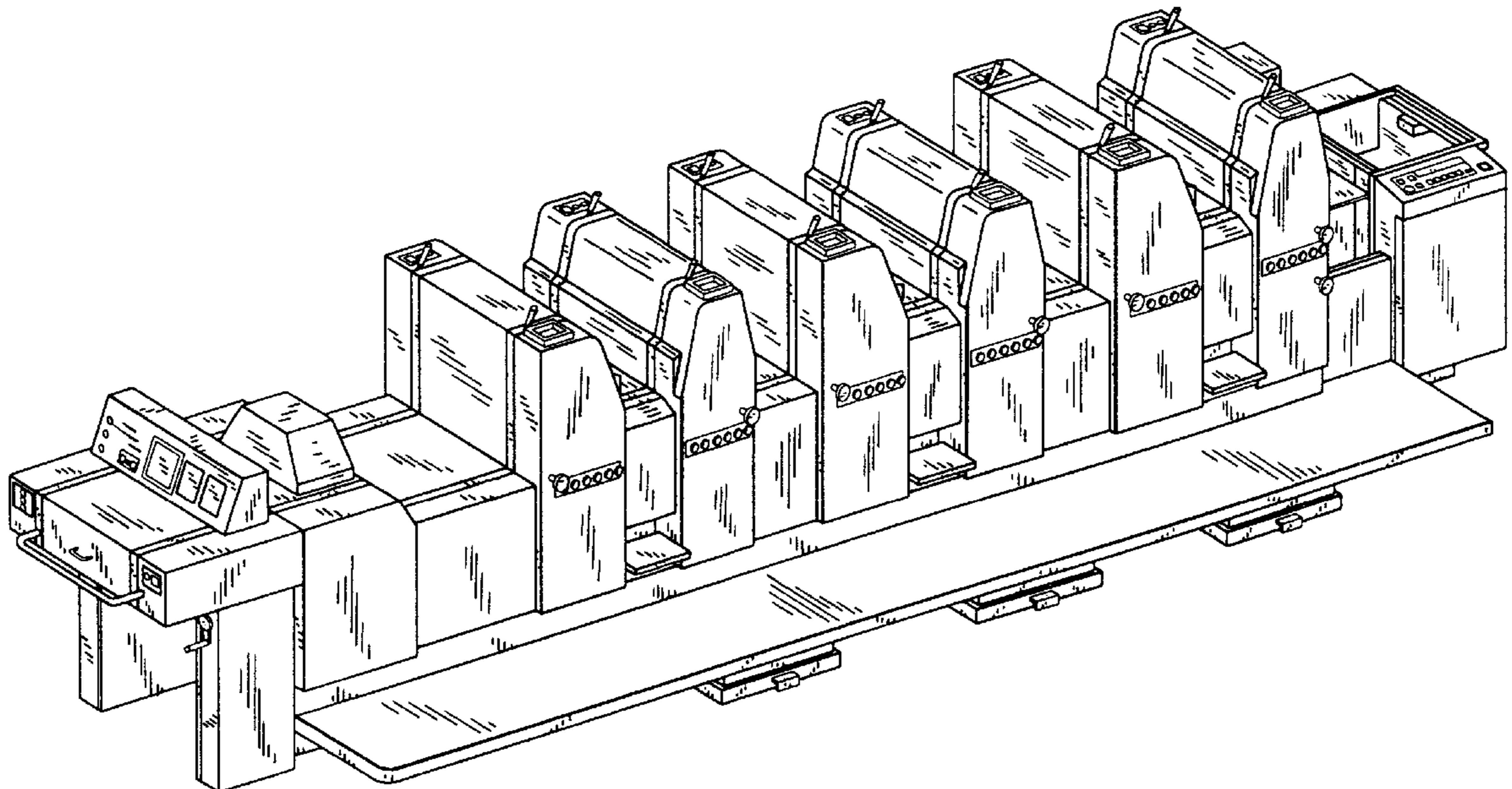


FIG. 1

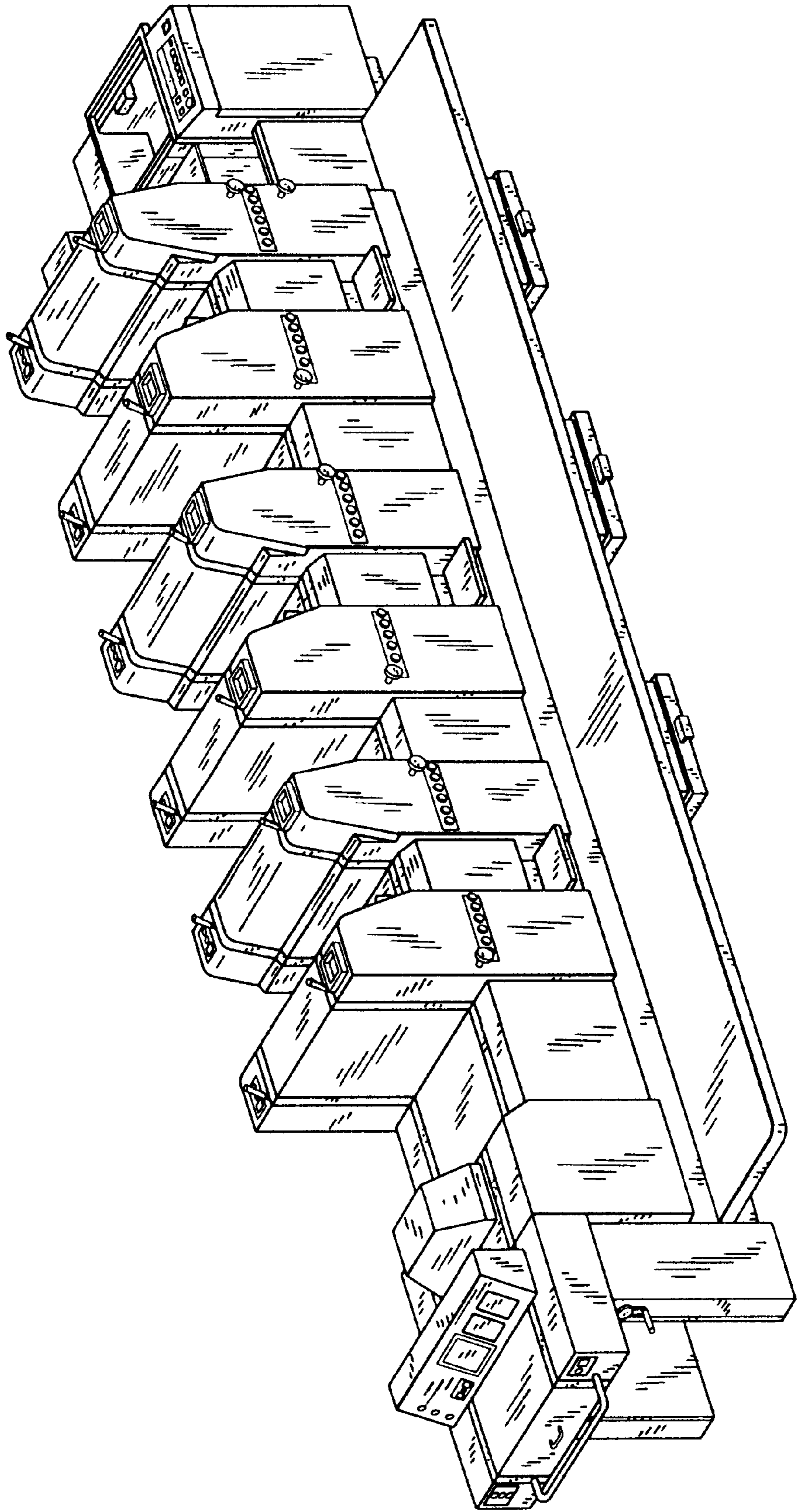


FIG. 2

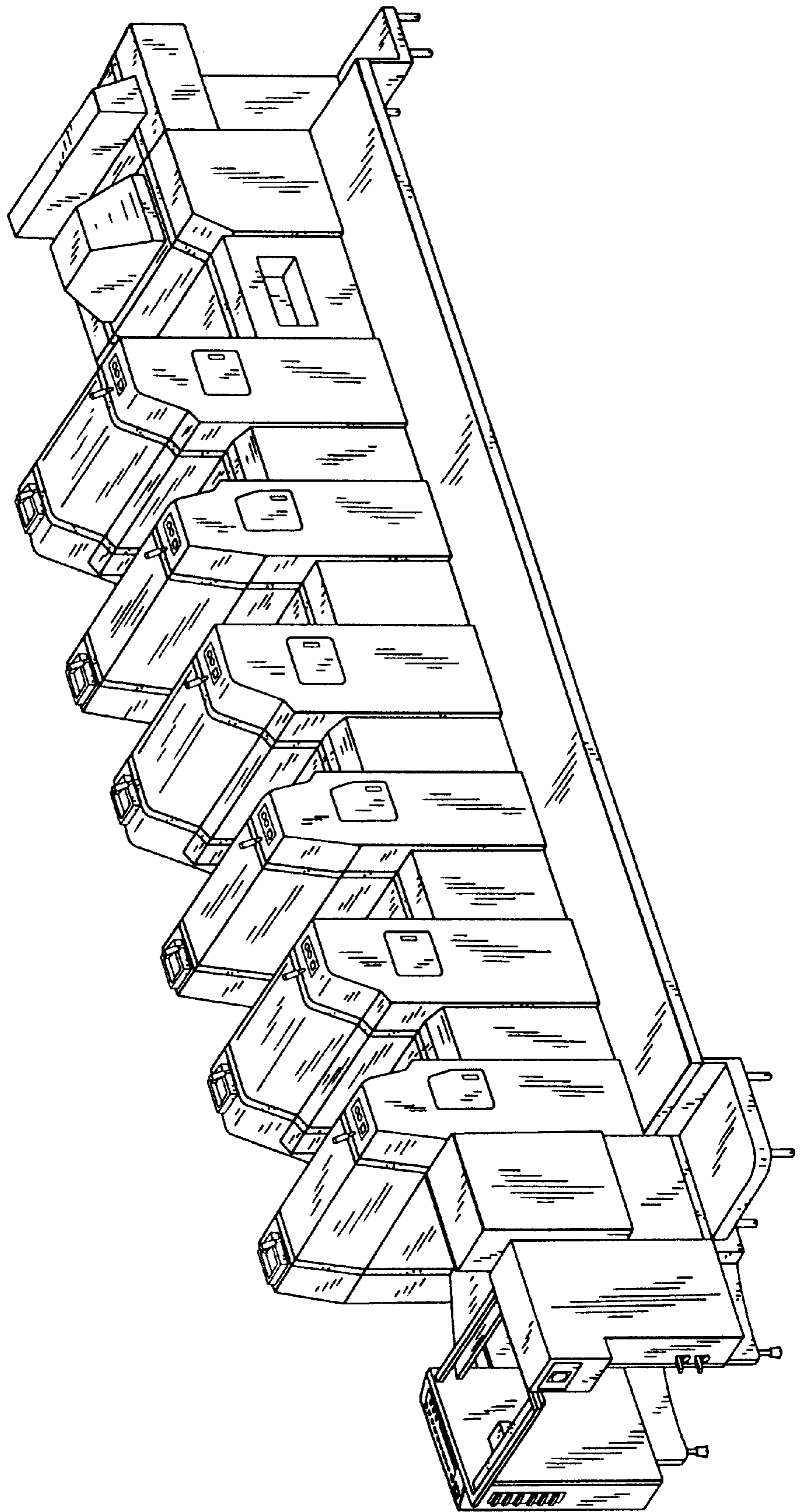


FIG. 3

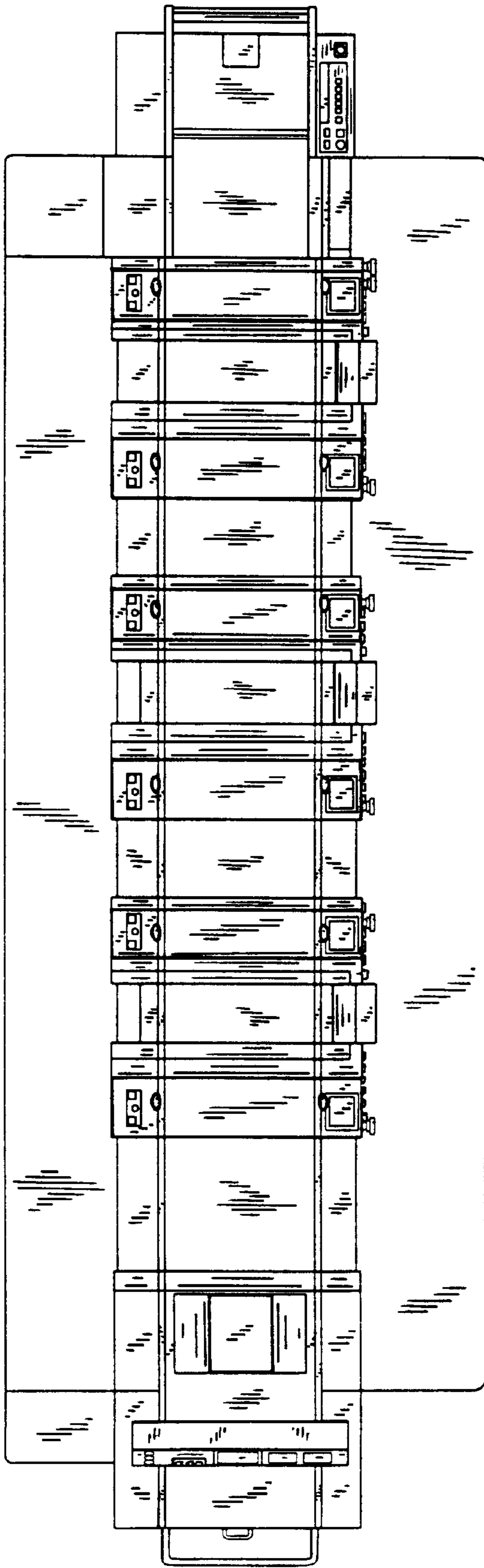


FIG. 4

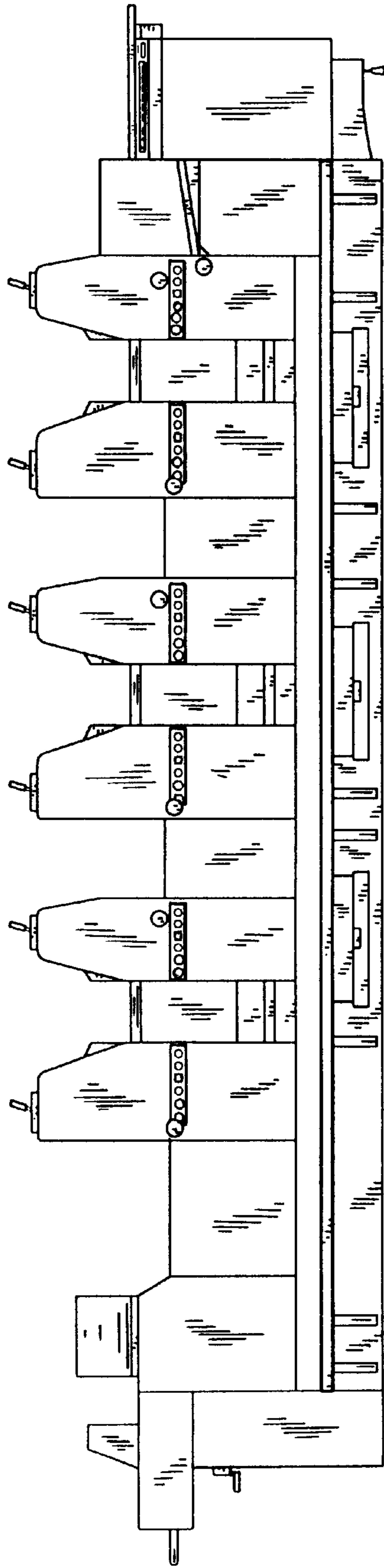


FIG. 5

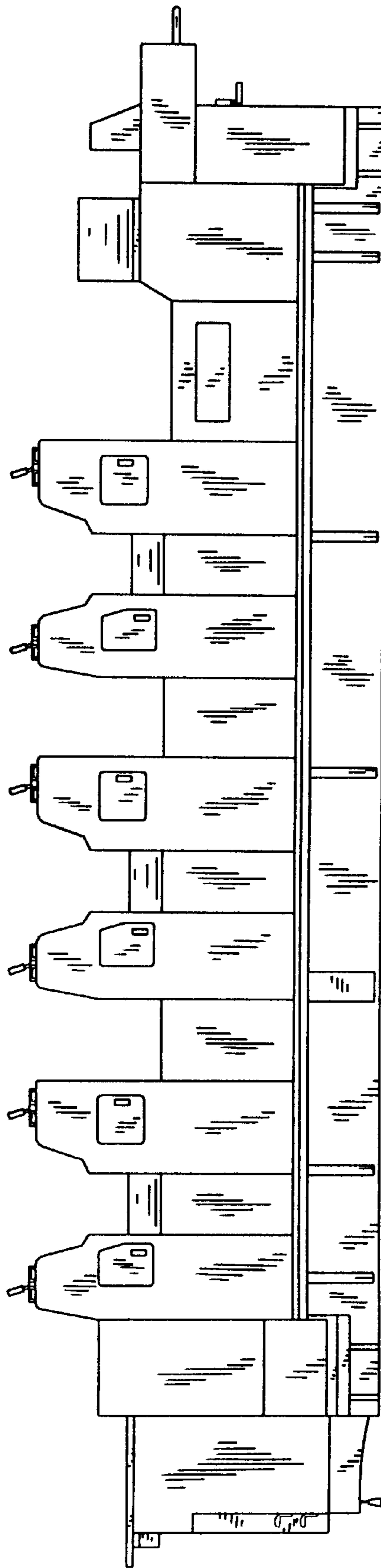


FIG. 6

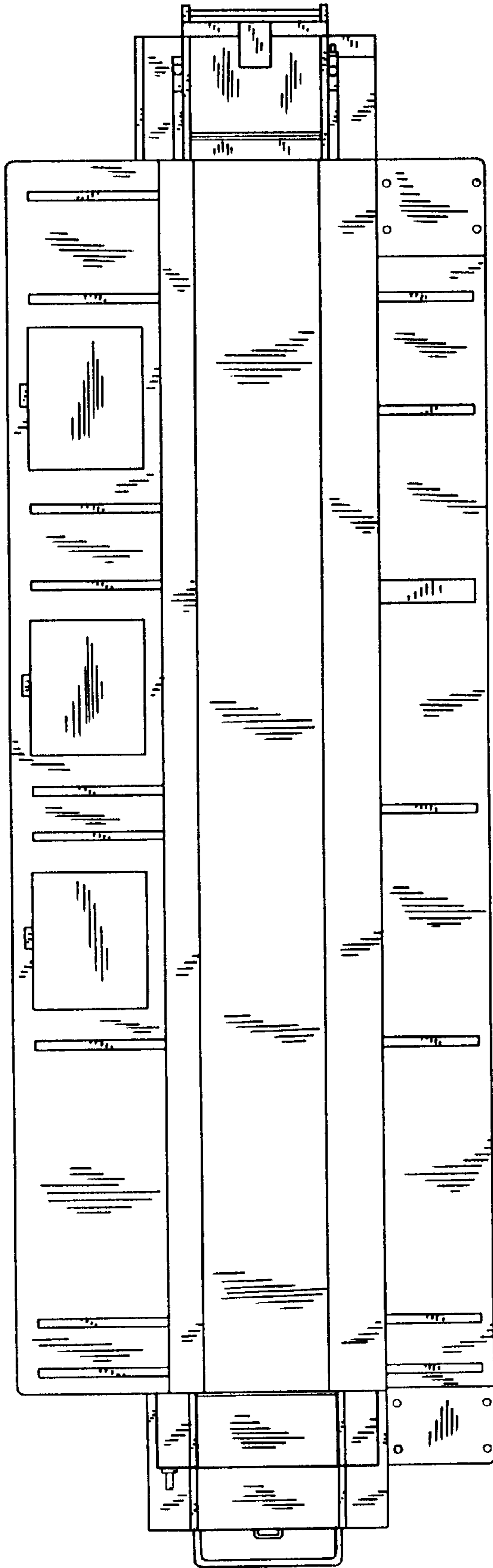


FIG. 8

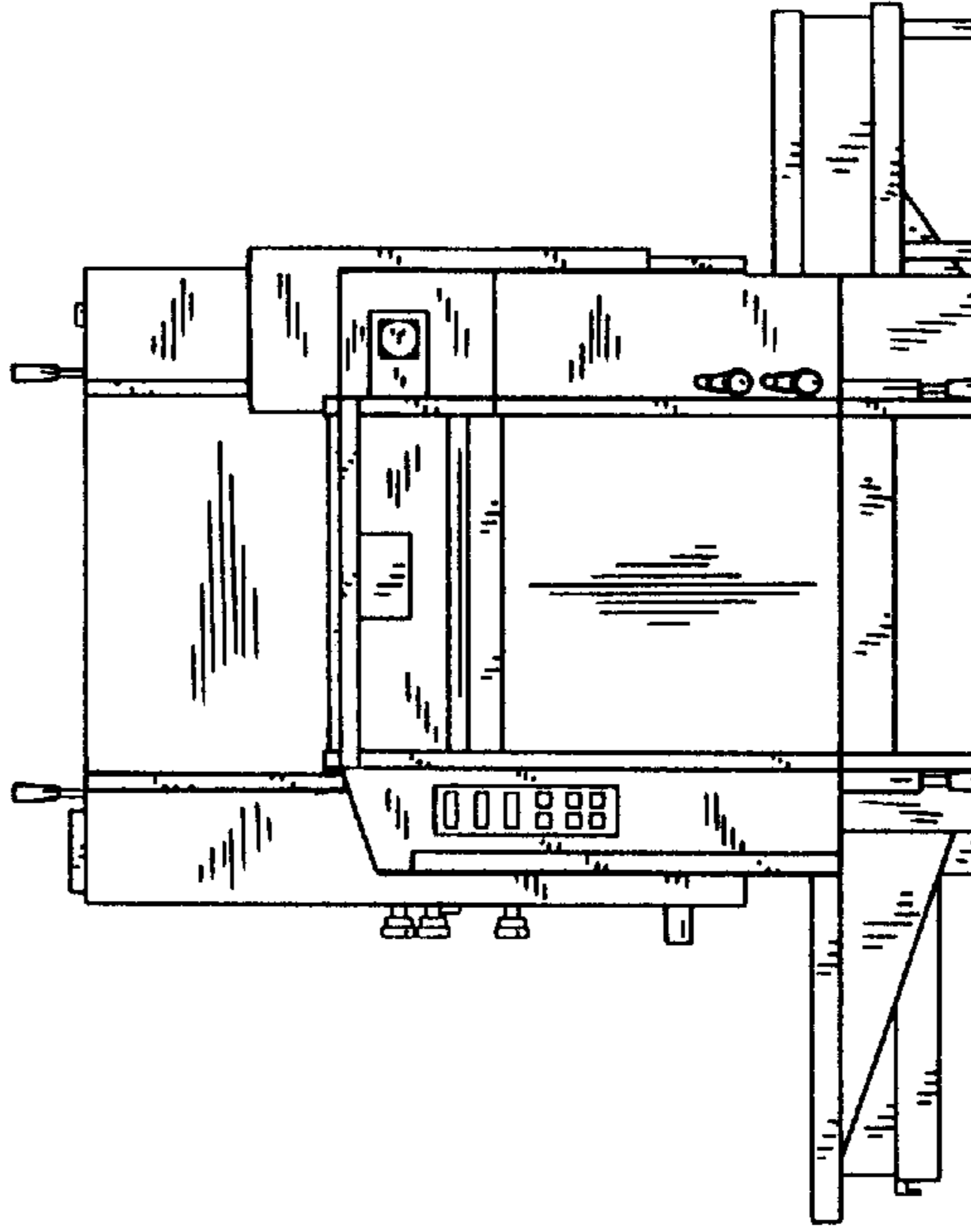


FIG. 7

