



US00D416273S

United States Patent [19]
Yamakawa et al.

[11] **Patent Number: Des. 416,273**
[45] **Date of Patent: ** Nov. 9, 1999**

[54] **TELEVISION CAMERA**

[75] Inventors: **Yasuki Yamakawa; Masahiko
Moriwaki**, both of Kanagawa, Japan

[73] Assignee: **Matsushita Electric Industrial Co.
Ltd.**, Japan

[**] Term: **14 Years**

[21] Appl. No.: **29/097,877**

[22] Filed: **Dec. 16, 1998**

[51] **LOC (6) Cl.** **16-01**

[52] **U.S. Cl.** **D16/203**

[58] **Field of Search** D16/200-204,
D16/208; 348/143, 373-376; 396/419, 427,
535-543

[56] **References Cited**

U.S. PATENT DOCUMENTS

D. 275,294	8/1984	Pagano	D16/203
D. 307,759	5/1990	Pagano	D16/203
D. 388,450	12/1997	Hamano et al.	D16/203
D. 399,517	10/1998	Hasegawa	D16/203
5,223,872	6/1993	Stiepel et al.	396/427
5,689,304	11/1997	Jones et al.	348/373

FOREIGN PATENT DOCUMENTS

782432	2/1990	Japan .
862434	3/1993	Japan .
902529	7/1994	Japan .
942098	12/1995	Japan .
943033	1/1996	Japan .

OTHER PUBLICATIONS

Security Sales, p. 62, Nov. 1995.

Primary Examiner—Adir Aronovich

Attorney, Agent, or Firm—SAIDMAN DesignLaw Group

[57] **CLAIM**

The ornamental design for a television camera, as shown and described.

DESCRIPTION

FIG. 1 is a perspective view of the bottom, front and right side of a television camera showing our new design; FIG. 2 is a front view thereof; FIG. 3 is a top plan view thereof; FIG. 4 is a right side view thereof; FIG. 5 is a rear view thereof; and, FIG. 6 is a bottom view thereof.

1 Claim, 3 Drawing Sheets

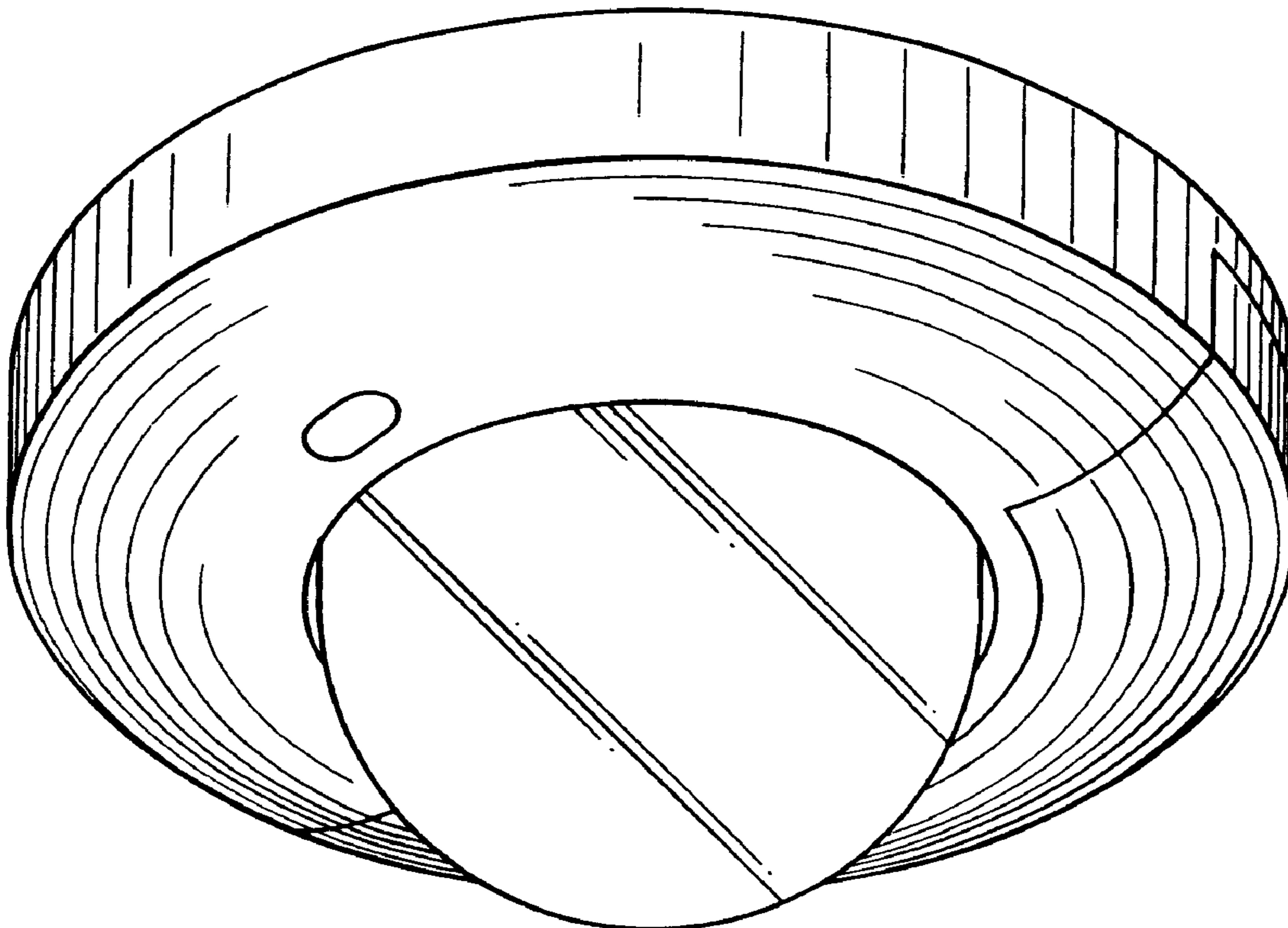


FIG. 1

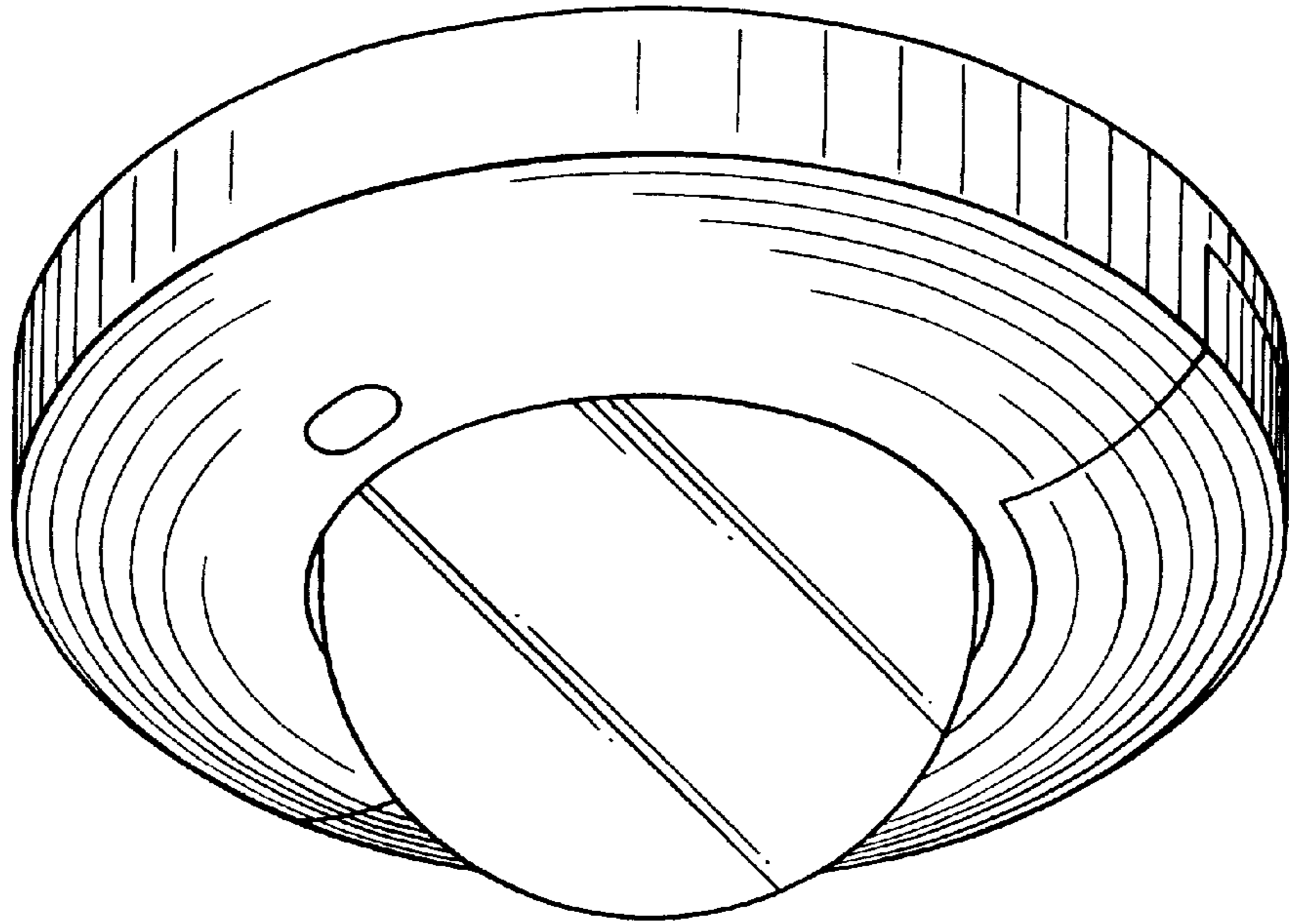


FIG. 2

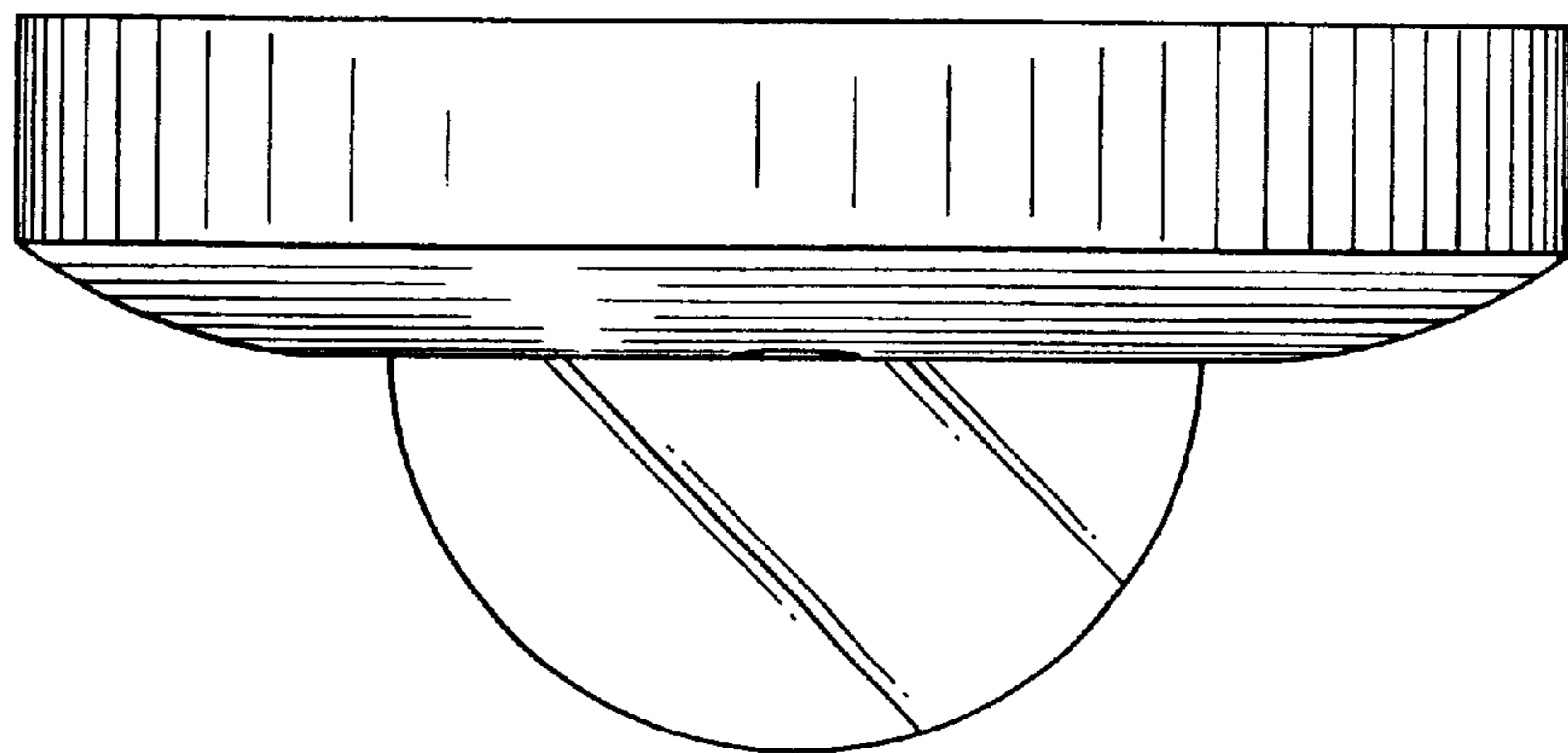


FIG. 3

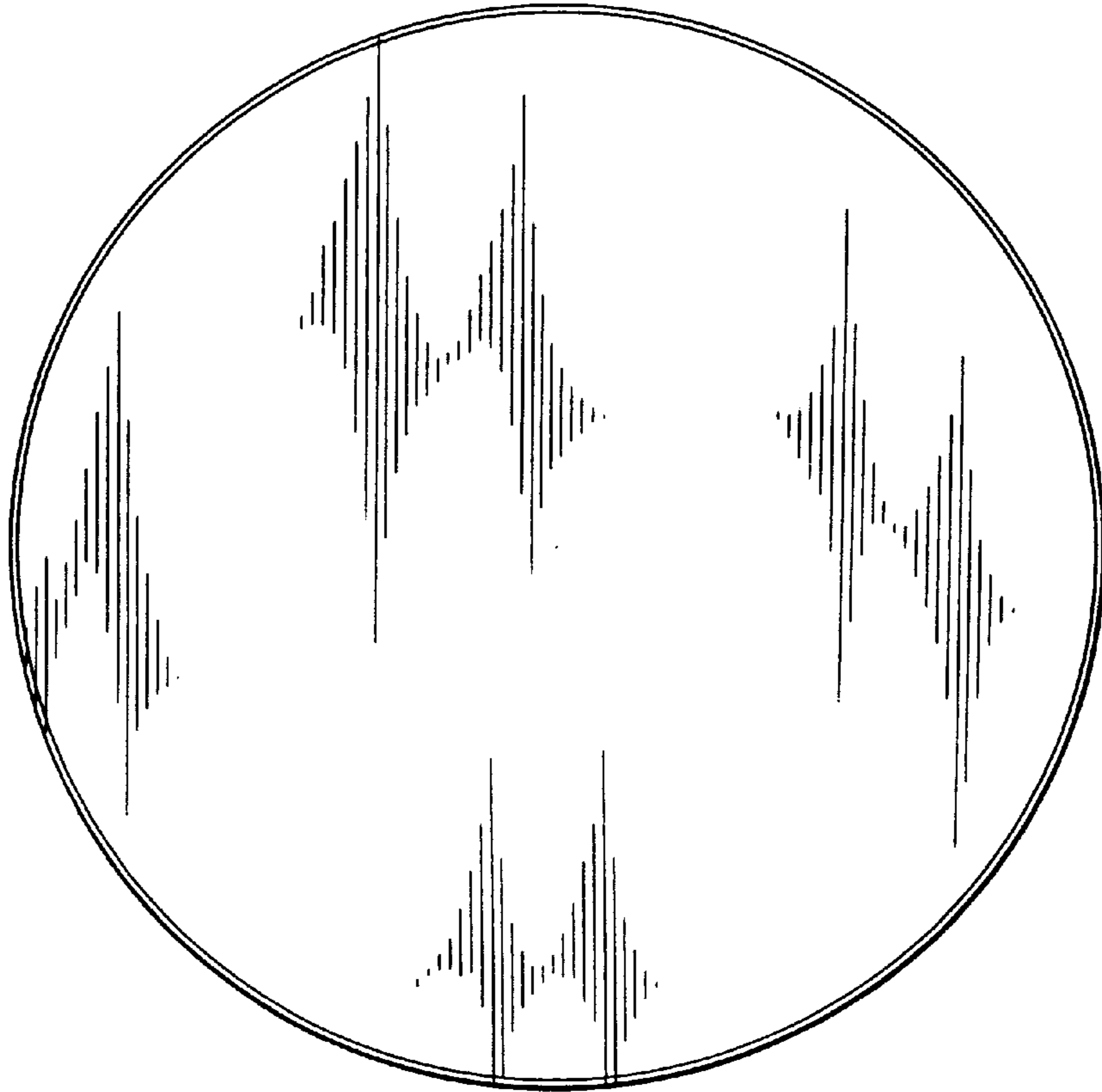


FIG. 4

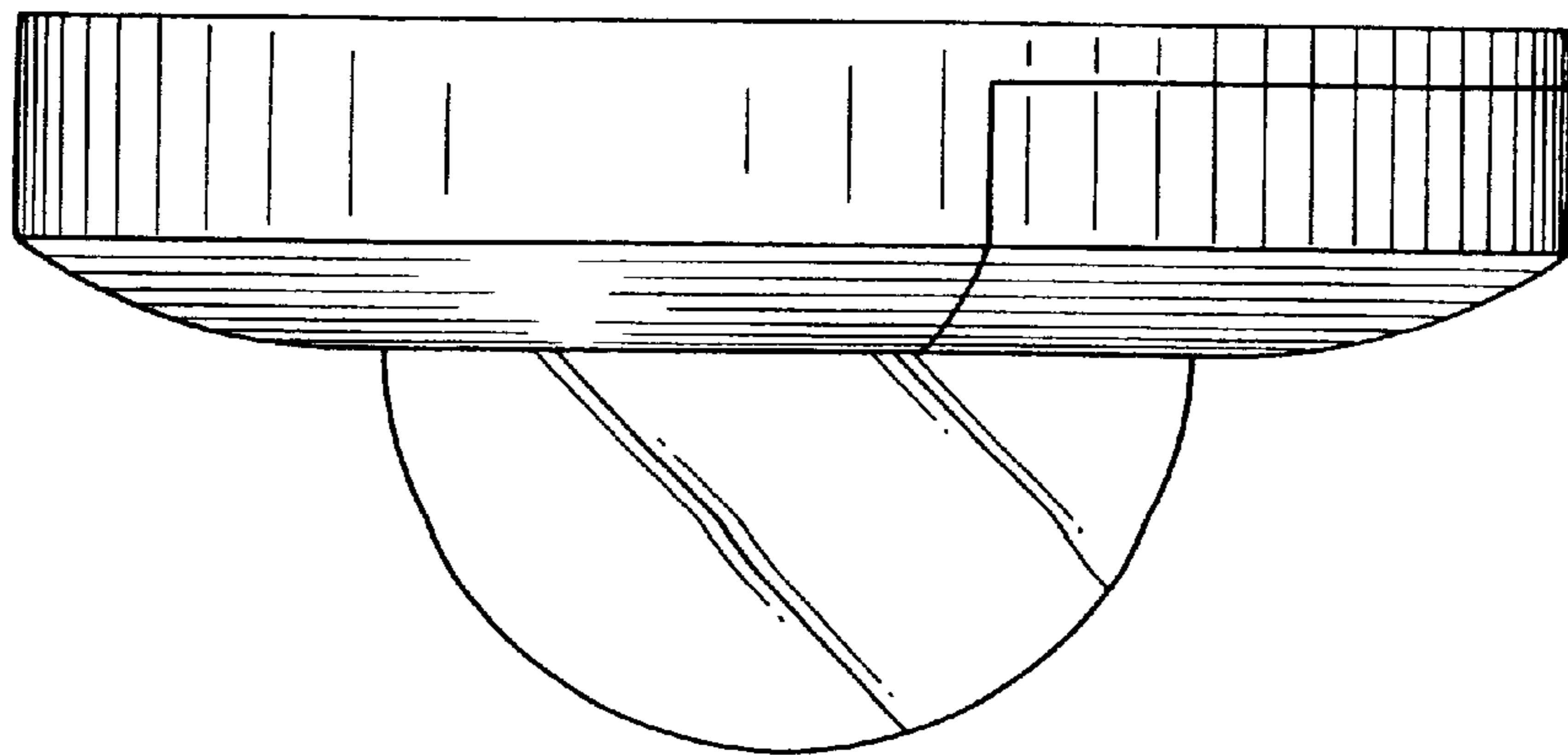


FIG. 5

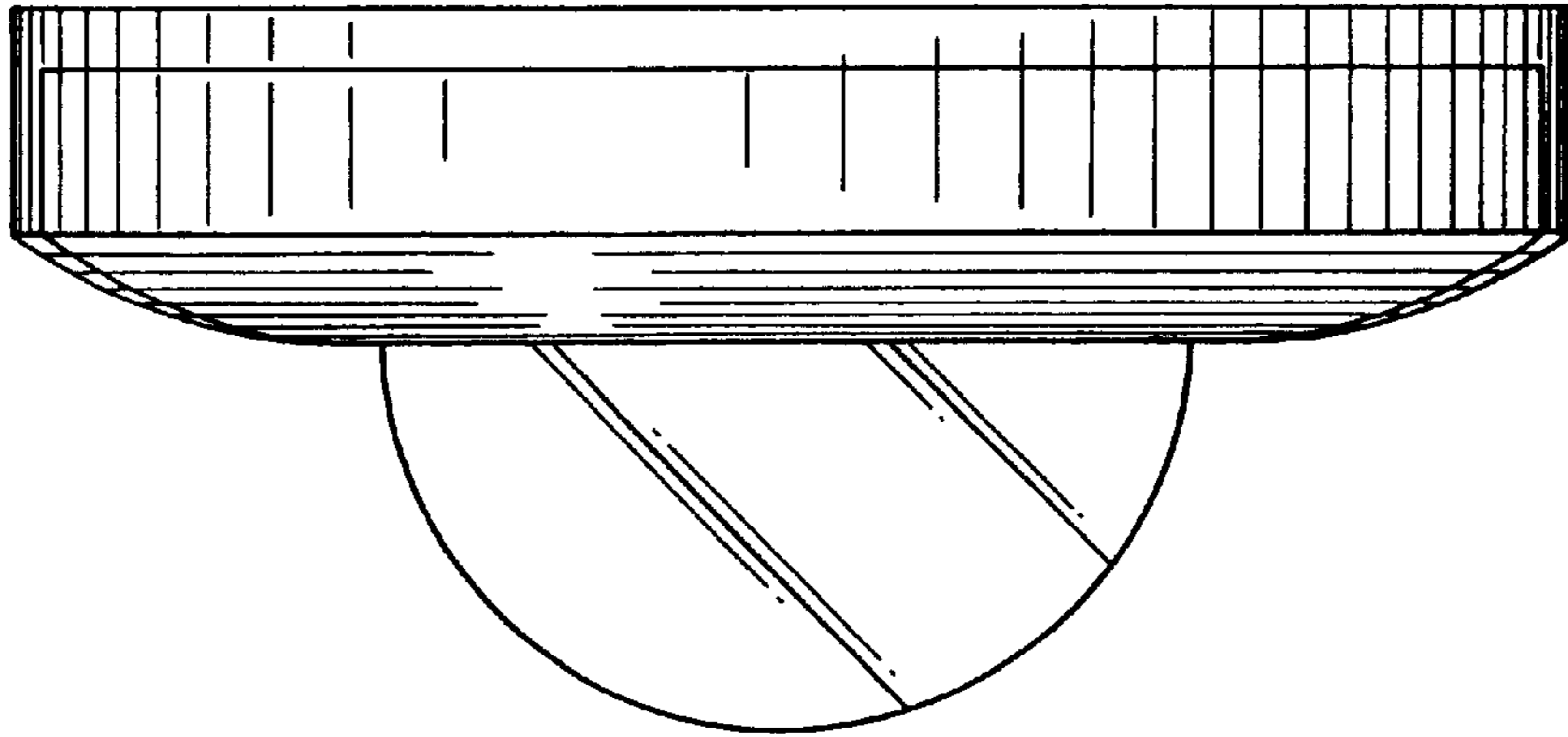


FIG. 6

