



US00D416271S

United States Patent [19] Ikenaga

[11] **Patent Number: Des. 416,271**

[45] **Date of Patent: ** Nov. 9, 1999**

[54] **ELECTRONIC CAMERA**

4,945,372 7/1990 Higuchi et al. 396/61

[75] Inventor: **Takashi Ikenaga**, Tokyo, Japan

OTHER PUBLICATIONS

Popular Phography, p. 50 (Mamiya M645), Apr. 1986.
Popular phography, p. 50 (Chinon's Genesis), May 1988.

[73] Assignee: **Sony Corporation**, Tokyo, Japan

[**] Term: **14 Years**

Primary Examiner—Adir Aronovich
Attorney, Agent, or Firm—Foley & Lardner

[21] Appl. No.: **29/088,102**

[57] CLAIM

[22] Filed: **May 15, 1998**

The ornamental design for a electronic camera, as shown and described.

[51] **LOC (6) Cl.** **16-01**

[52] **U.S. Cl.** **D16/202**

[58] **Field of Search** D16/200–206,
D16/208, 216, 217, 218; 348/373–376;
358/909.1; 391/61, 535–543

DESCRIPTION

[56] References Cited

U.S. PATENT DOCUMENTS

D. 315,357 3/1991 Fukutomi D16/202
D. 330,562 10/1992 Takada et al. D16/202
D. 397,707 9/1998 Naitou D16/202
D. 402,301 12/1998 Sekine D16/202

FIG. 1 is a perspective view of a electronic camera showing my new design;

FIG. 2 is a top plan view thereof;

FIG. 3 is a left side elevational view thereof;

FIG. 4 is a front elevational view thereof;

FIG. 5 is a bottom plan view thereof;

FIG. 6 is a right side elevational thereof; and,

FIG. 7 is a rear elevational view thereof.

1 Claim, 4 Drawing Sheets

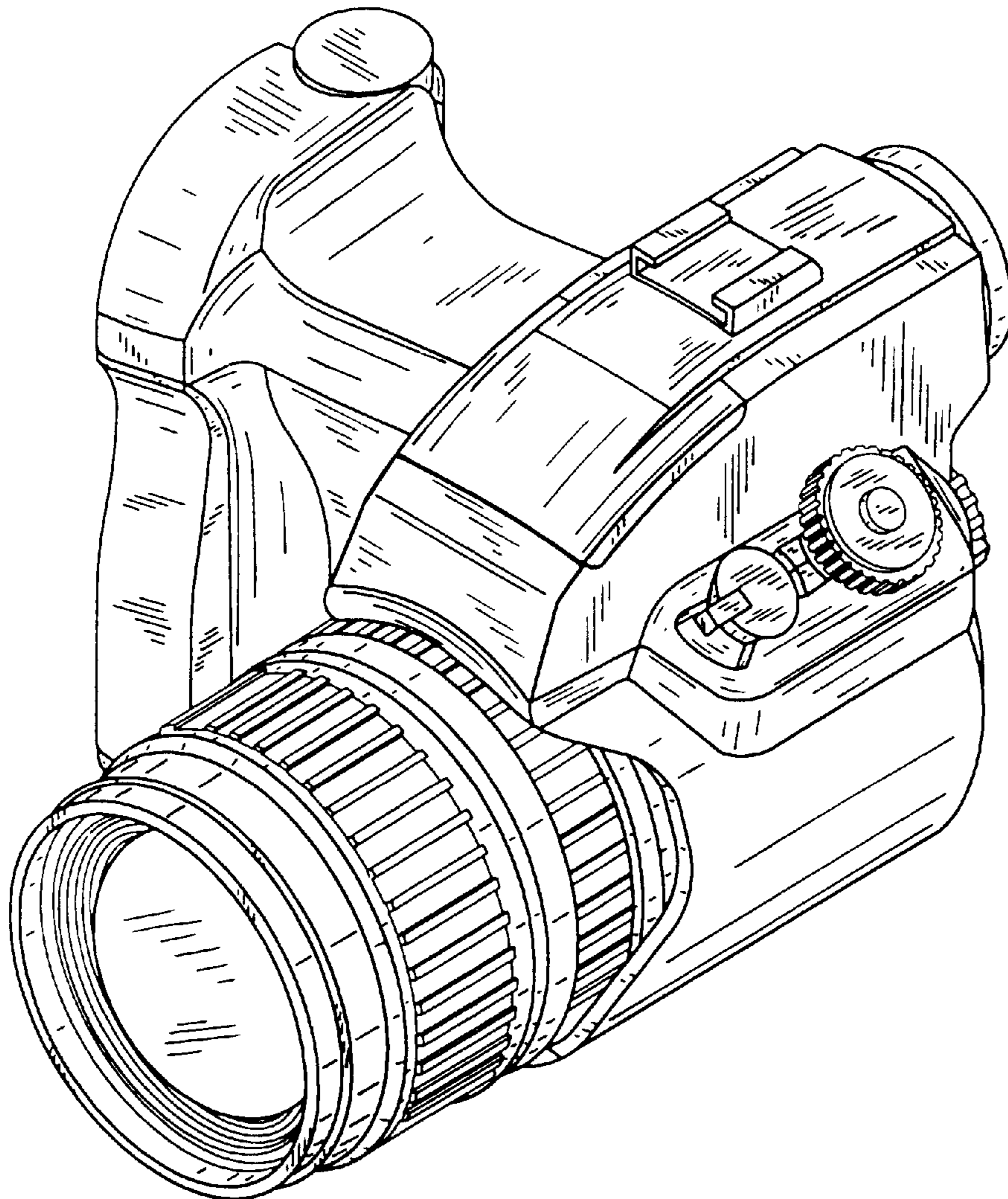


FIG. 1

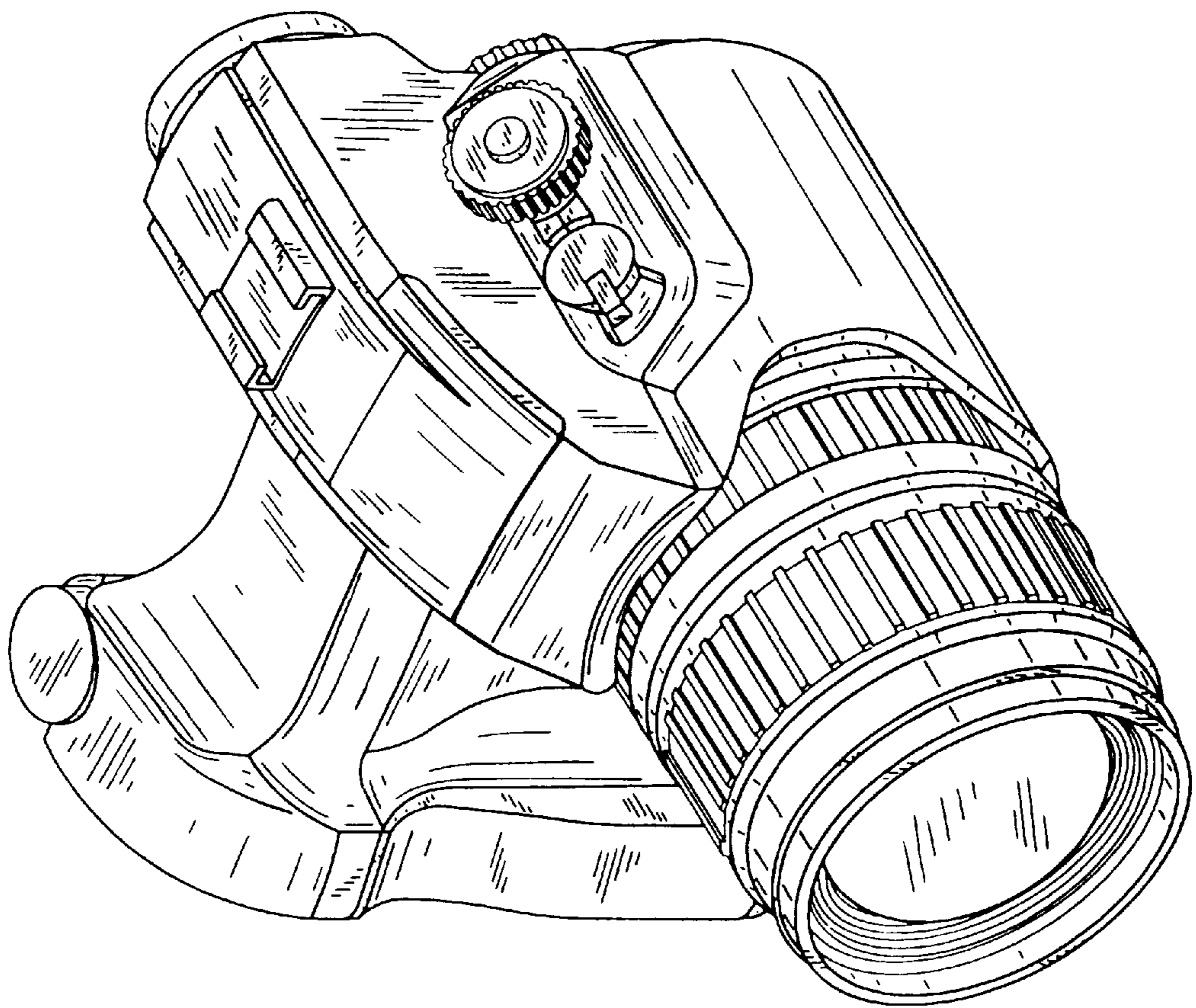


FIG. 5

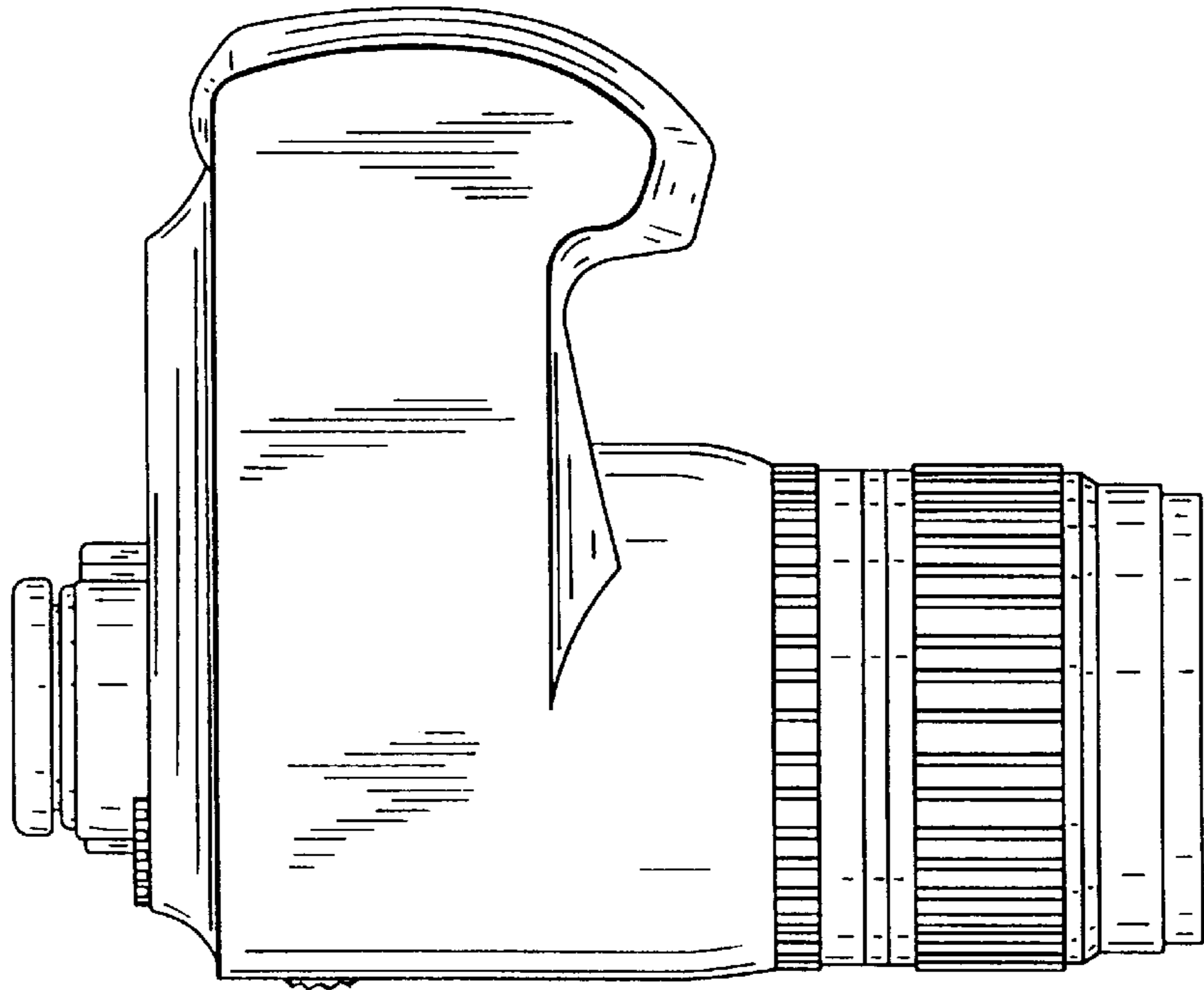


FIG. 2

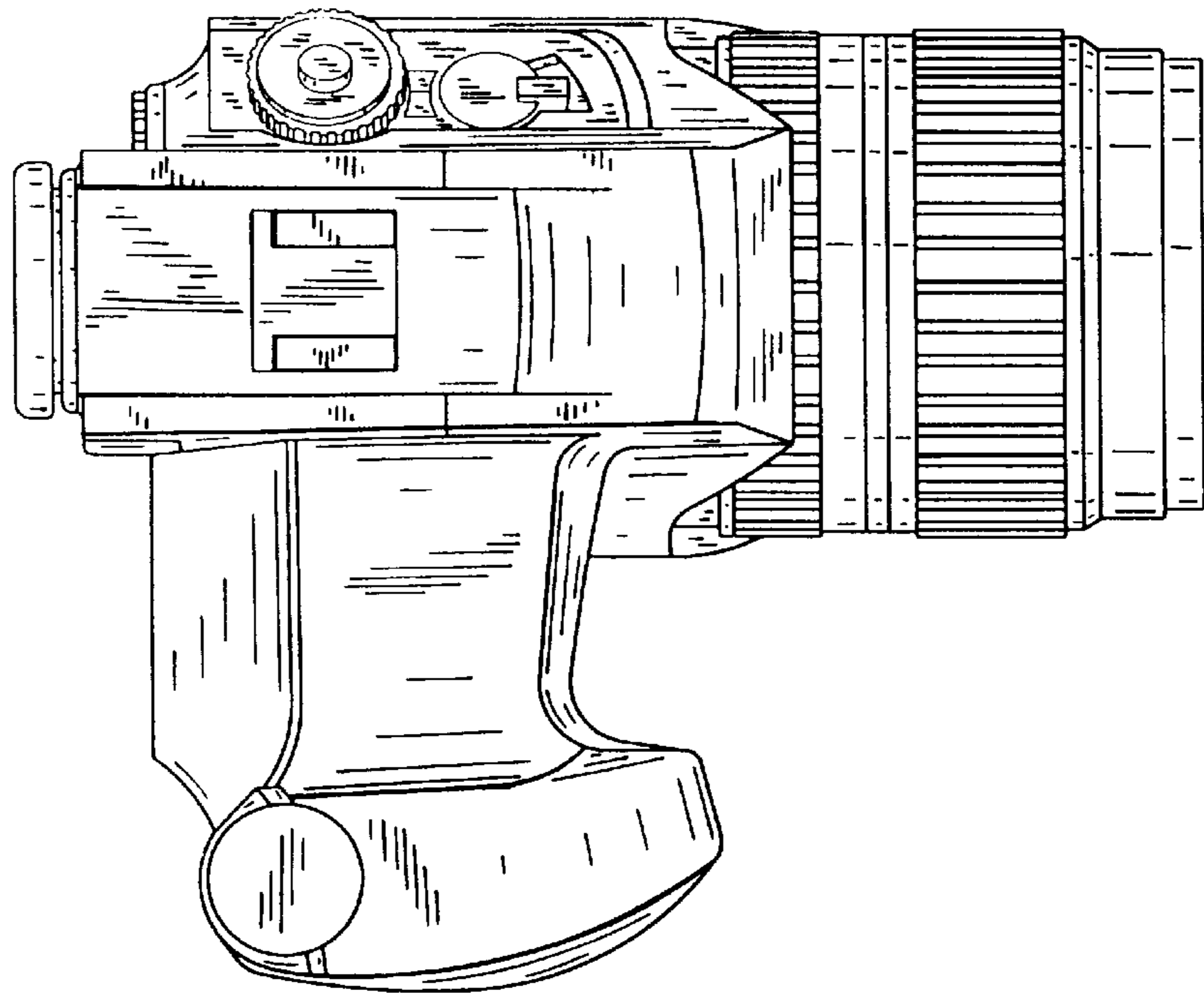


FIG. 3

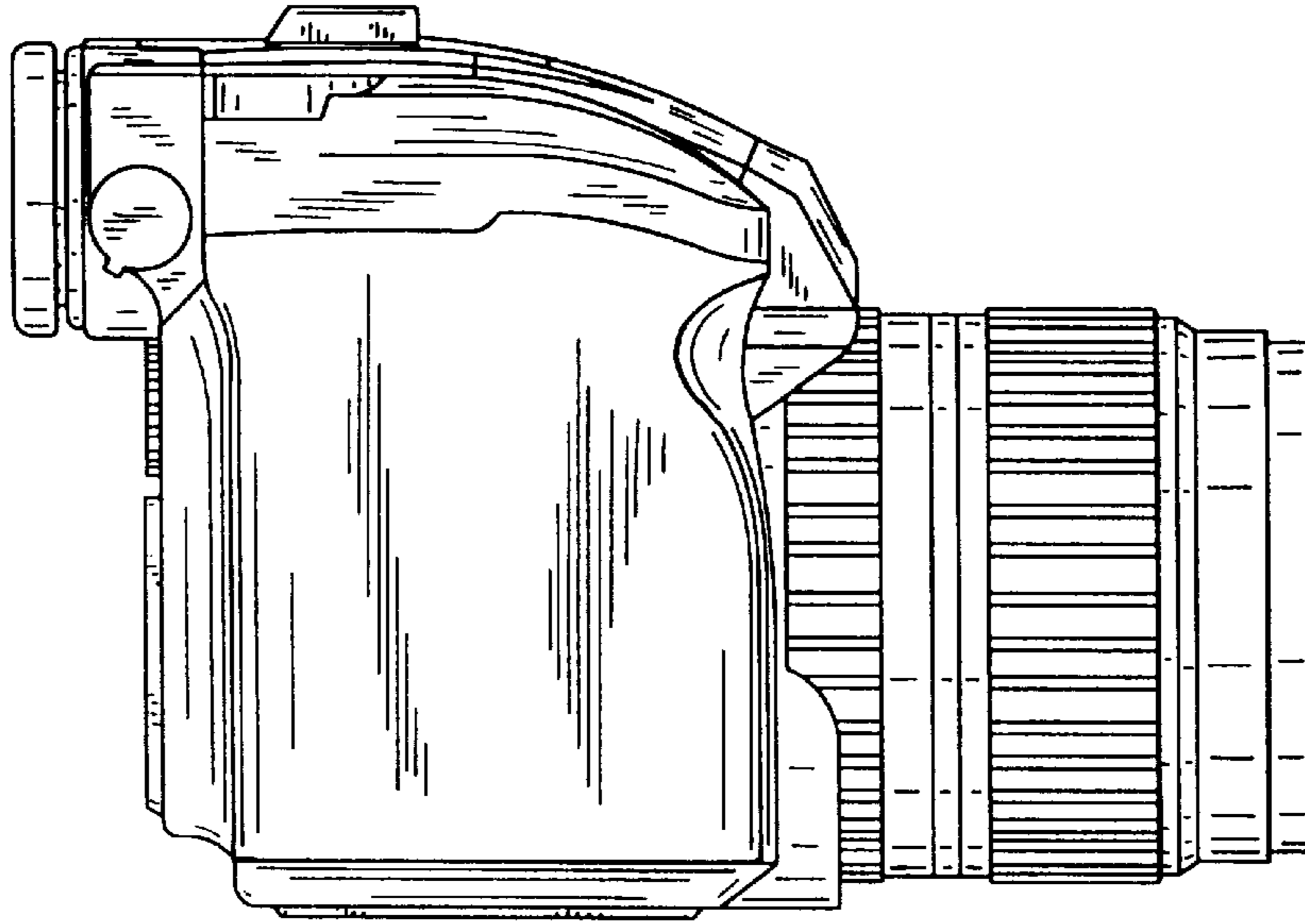


FIG. 6

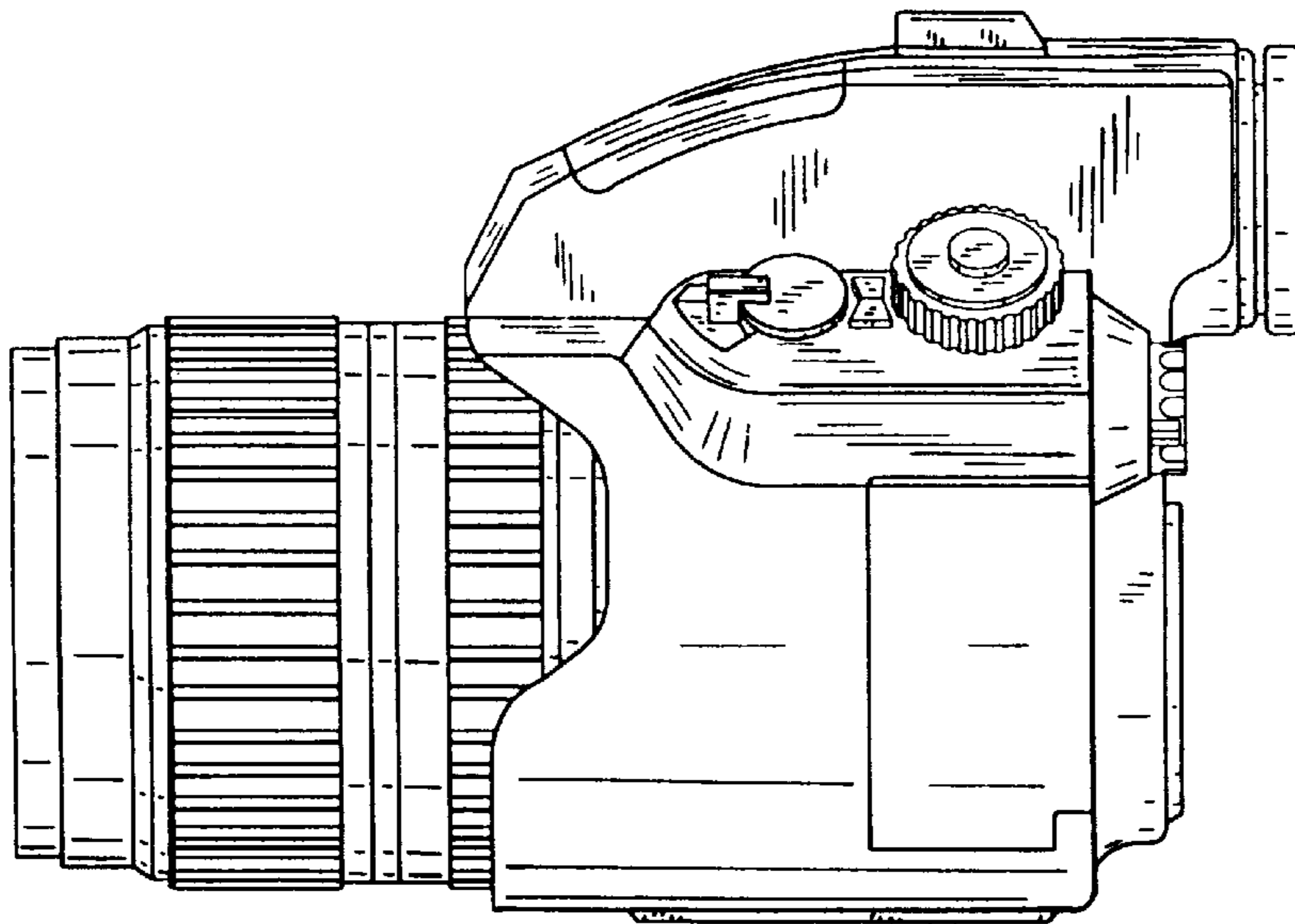


FIG. 4

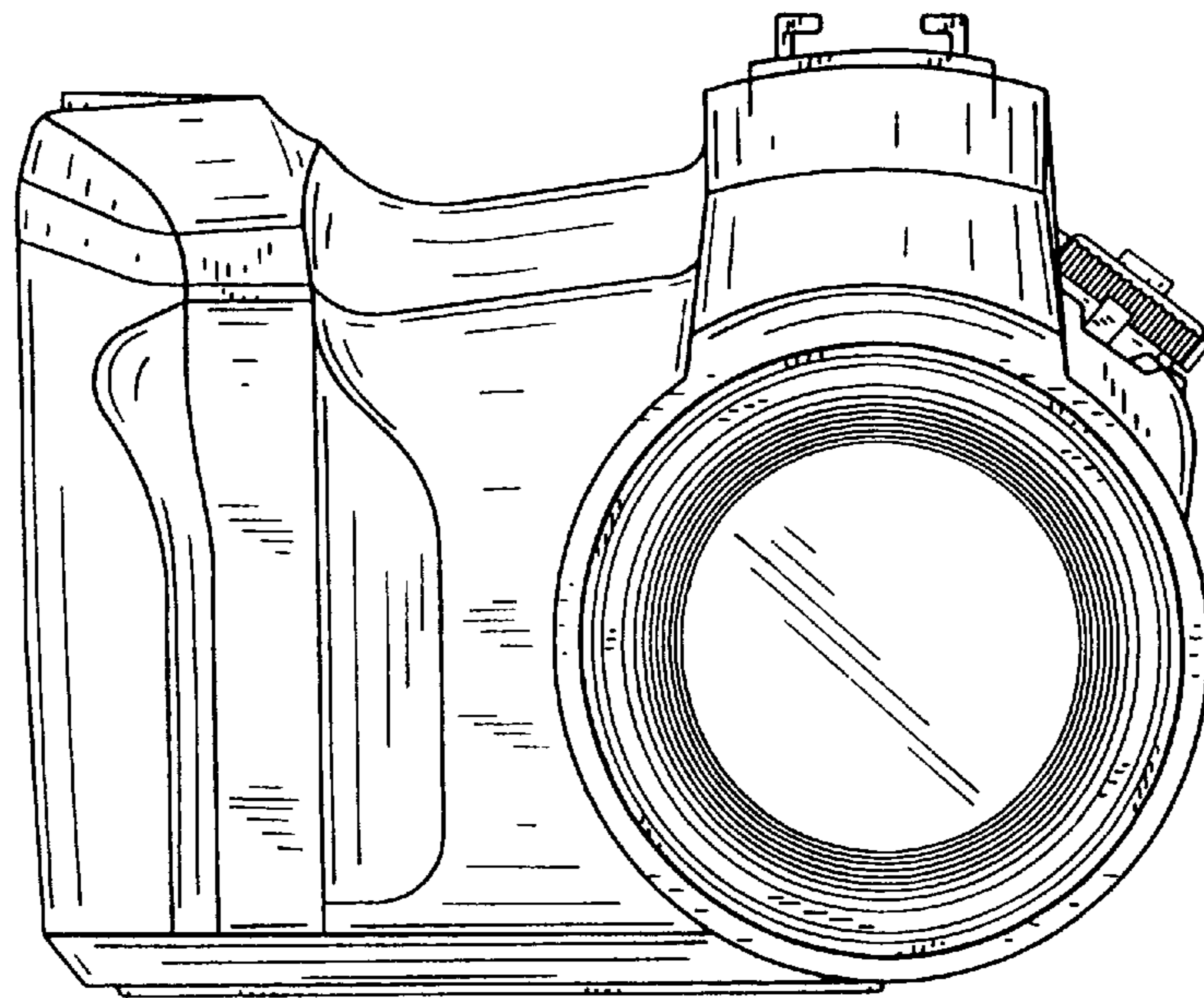


FIG. 7

