



US00D416270S

United States Patent [19] Harata

[11] **Patent Number: Des. 416,270**

[45] **Date of Patent: ** Nov. 9, 1999**

[54] **VIDEO CAMERA COMBINED WITH VIDEO TAPE RECORDER**

[75] Inventor: **Tomohiro Harata**, Tokyo, Japan

[73] Assignee: **Sony Corporation**, Tokyo, Japan

[**] Term: **14 Years**

[21] Appl. No.: **29/086,702**

[22] Filed: **Apr. 17, 1998**

[51] **LOC (6) Cl.** **16-01**

[52] **U.S. Cl.** **D16/202**

[58] **Field of Search** D16/200-205,
D16/208, 209, 216-218; 348/373-376;
358/906, 909.1; 396/535-543

[56] **References Cited**

U.S. PATENT DOCUMENTS

D. 374,880	10/1996	Kataoka	D16/202
D. 384,963	10/1997	Sekita	D16/202
D. 392,659	3/1998	Takano	D16/202
D. 403,687	1/1999	Sekita	D16/202

FOREIGN PATENT DOCUMENTS

8-125900 5/1996 Japan H04N 5/225

OTHER PUBLICATIONS

- Catalog "QV Digital", Casio (Sep. 1996).
- Catalog "Sanyo", Sanyo (Sep. 1997).
- Catalog "Digial View Hunter" pp. 3 & 4, Sharp (Oct. 1997).
- Catalog "Digial View Com" pp. 3 & 4, Sharp (Oct. 1997).

Catalog "88", pp. 6, 9 & 203, Sony (Mar. 1998).
Sony Handycam Catalog, p. 19 (SC55), Jun. 1996.

Primary Examiner—Adir Aronovich
Attorney, Agent, or Firm—Foley & Lardner

[57] **CLAIM**

The ornamental design for a video camera combined with video tape recorder, as shown and described.

DESCRIPTION

FIG. 1 is a perspective view of a video camera combined with video tape recorder showing my new design;

FIG. 2 is a top plan view;

FIG. 3 is a left side elevational view thereof;

FIG. 4 is a front elevational view thereof;

FIG. 5 is a bottom plan view thereof;

FIG. 6 is a right side elevational thereof;

FIG. 7 is a rear elevational view thereof;

FIG. 8 is a perspective view thereof, wherein the lid portion is in the open position; and,

FIG. 9 is a rear elevational view thereof, the portion shown in broken lines is for illustrative purpose only and forms no part of claimed design. The rest of the views being identical.

1 Claim, 5 Drawing Sheets

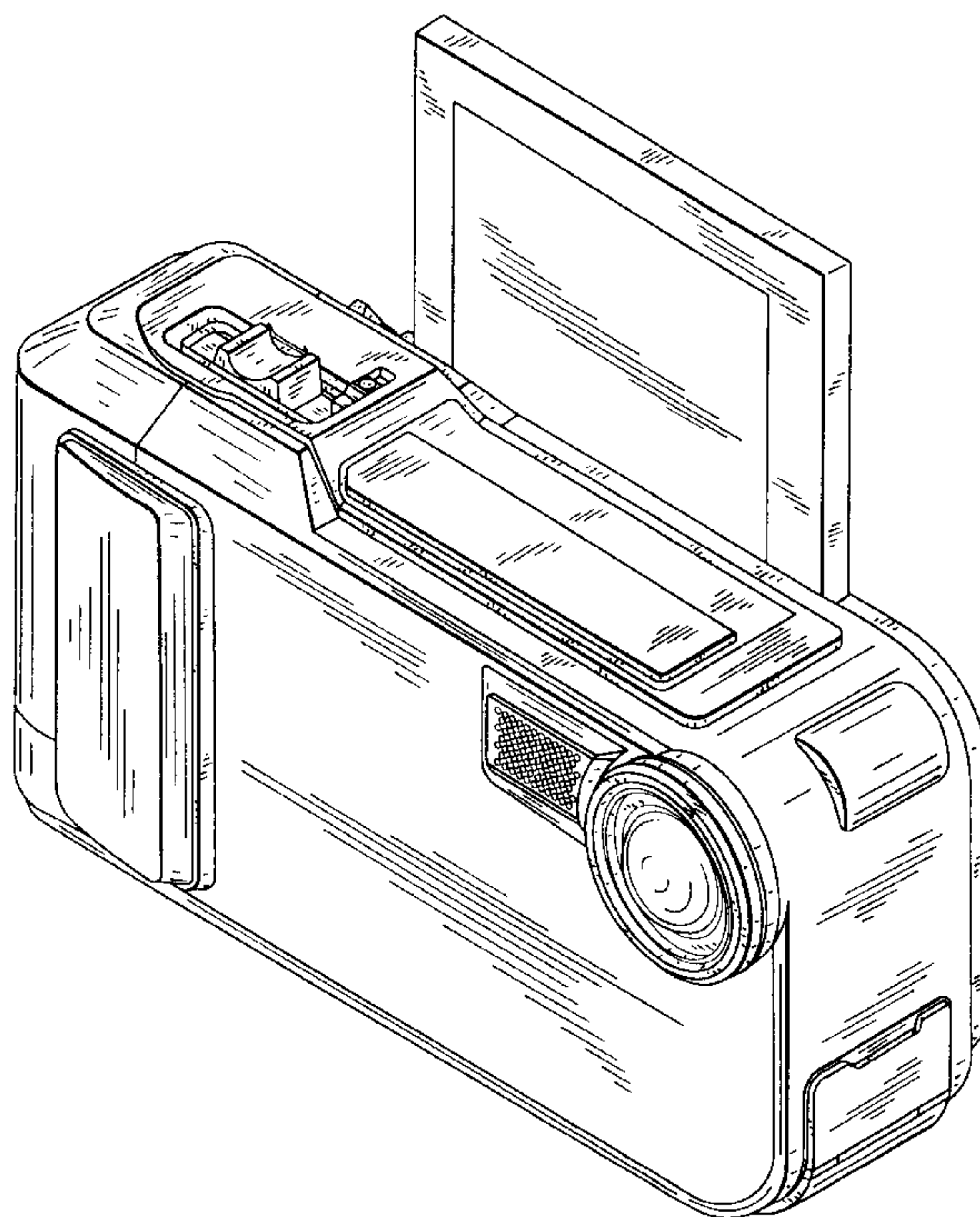
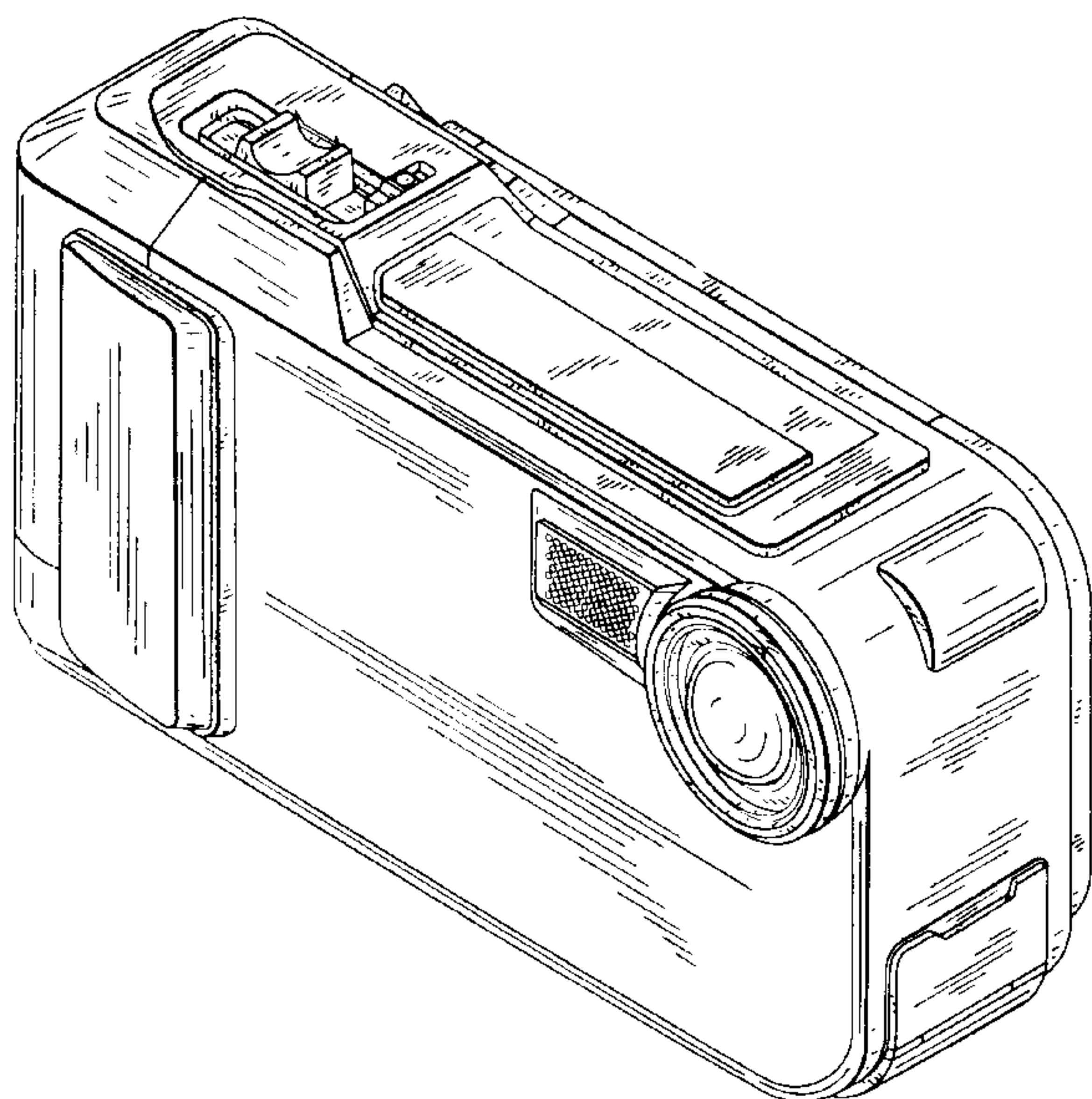


FIG. 1

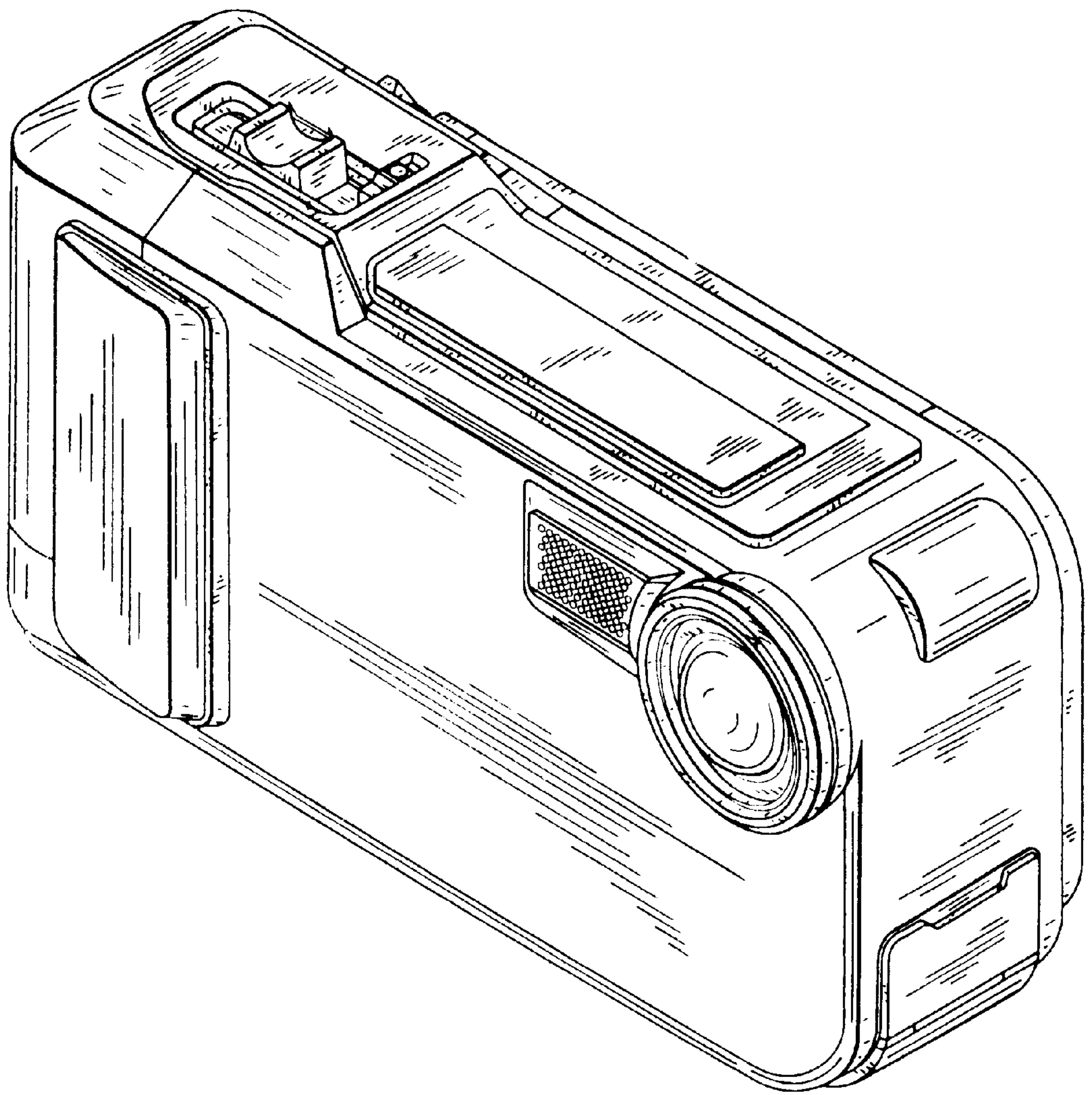


FIG. 2

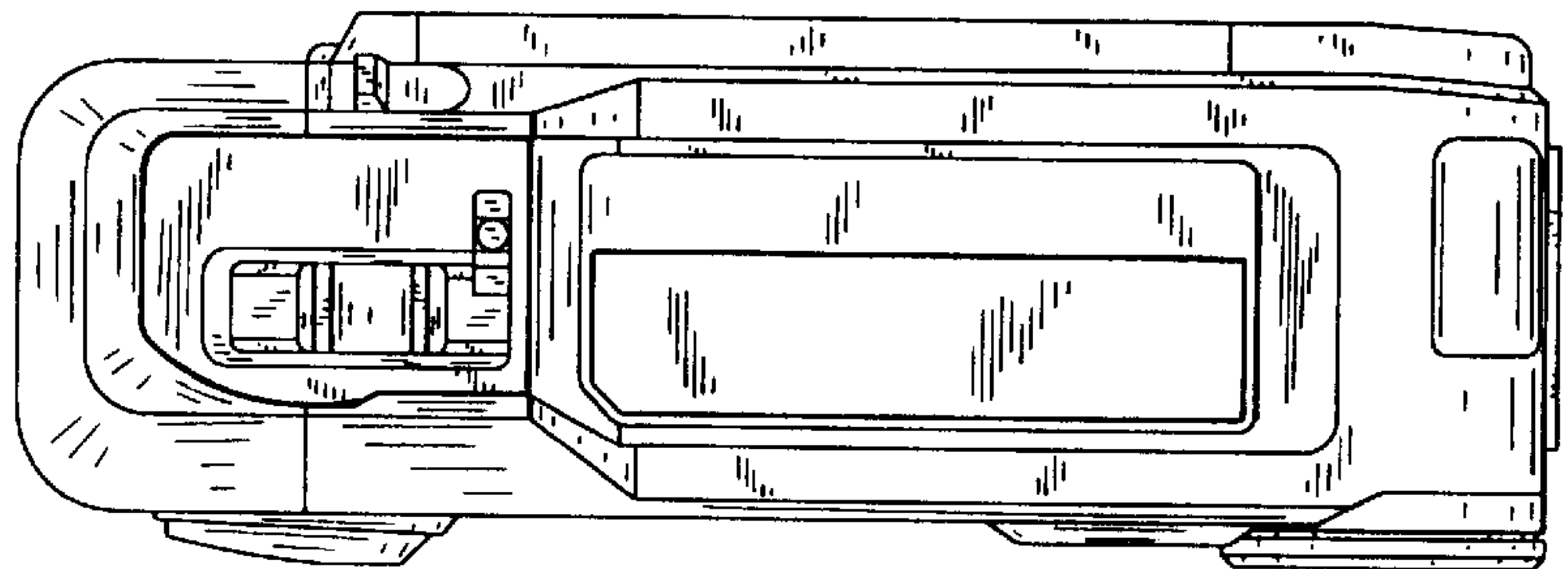


FIG. 3

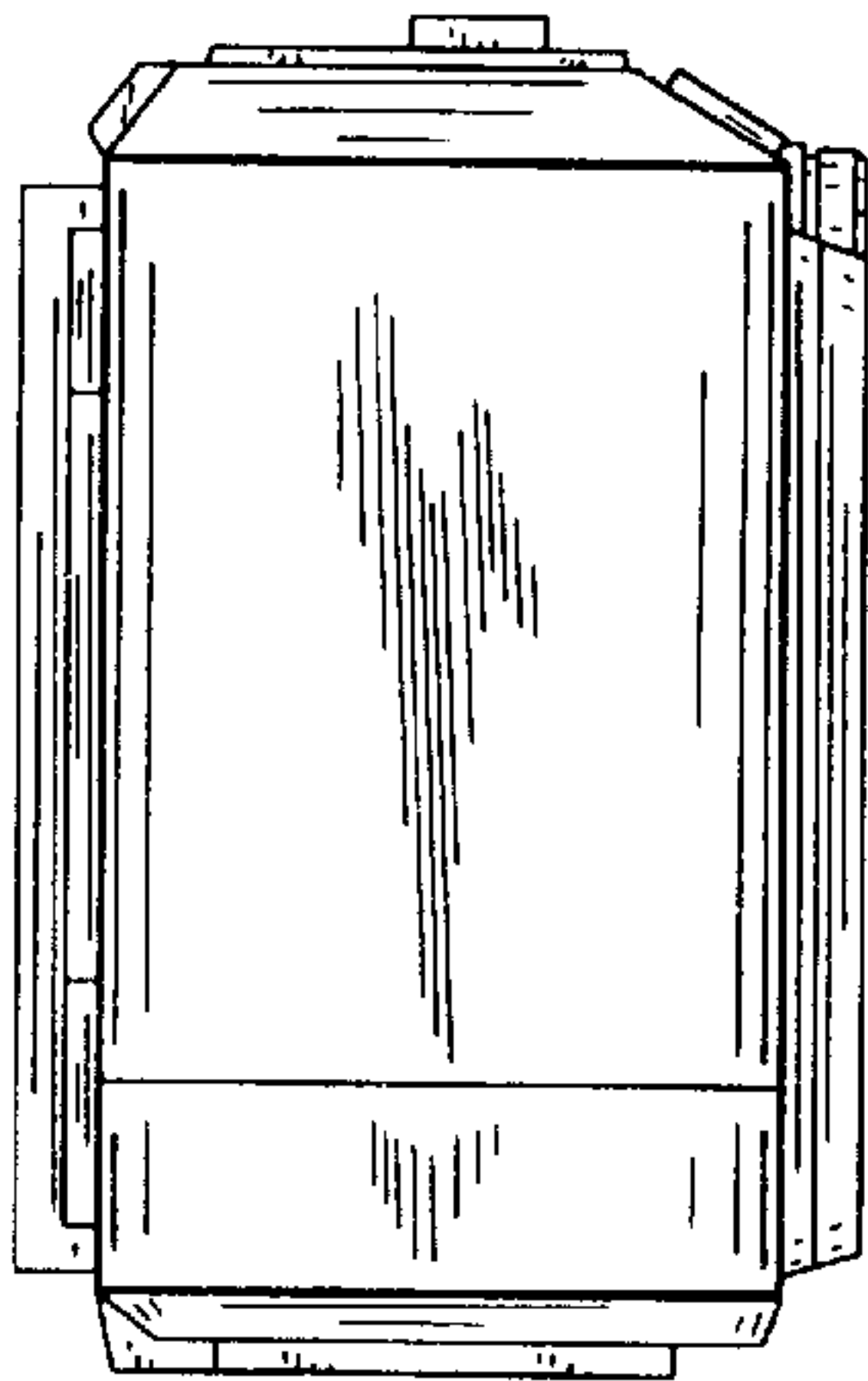


FIG. 4

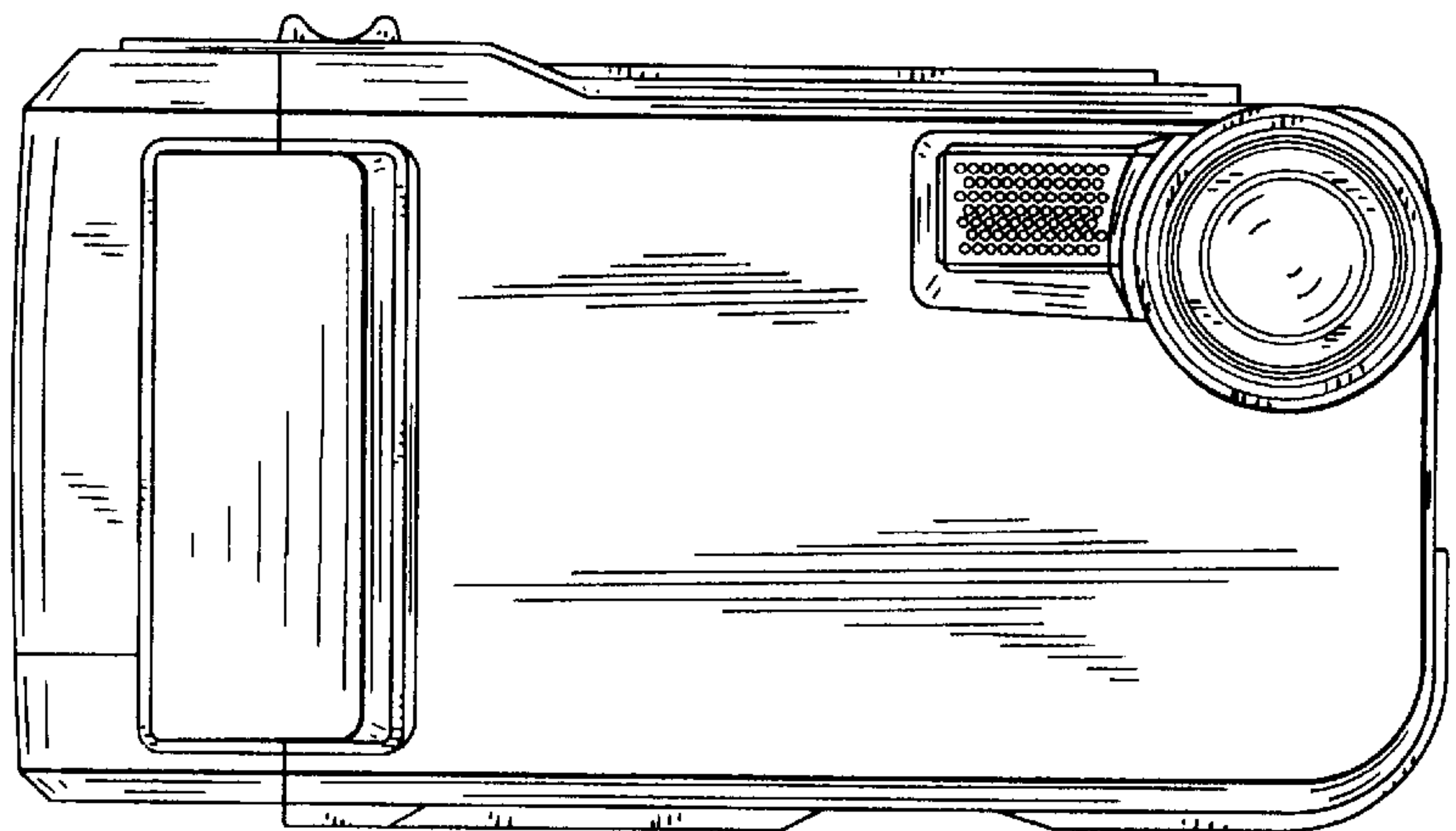


FIG. 5

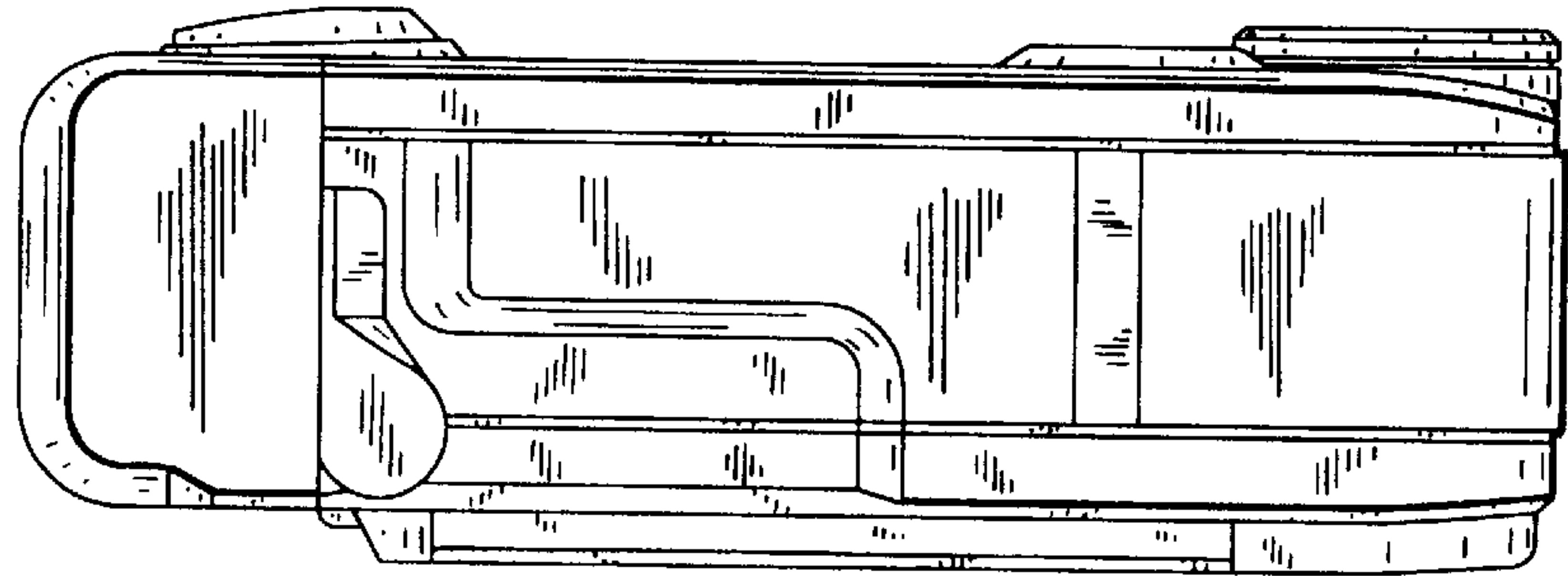


FIG. 6

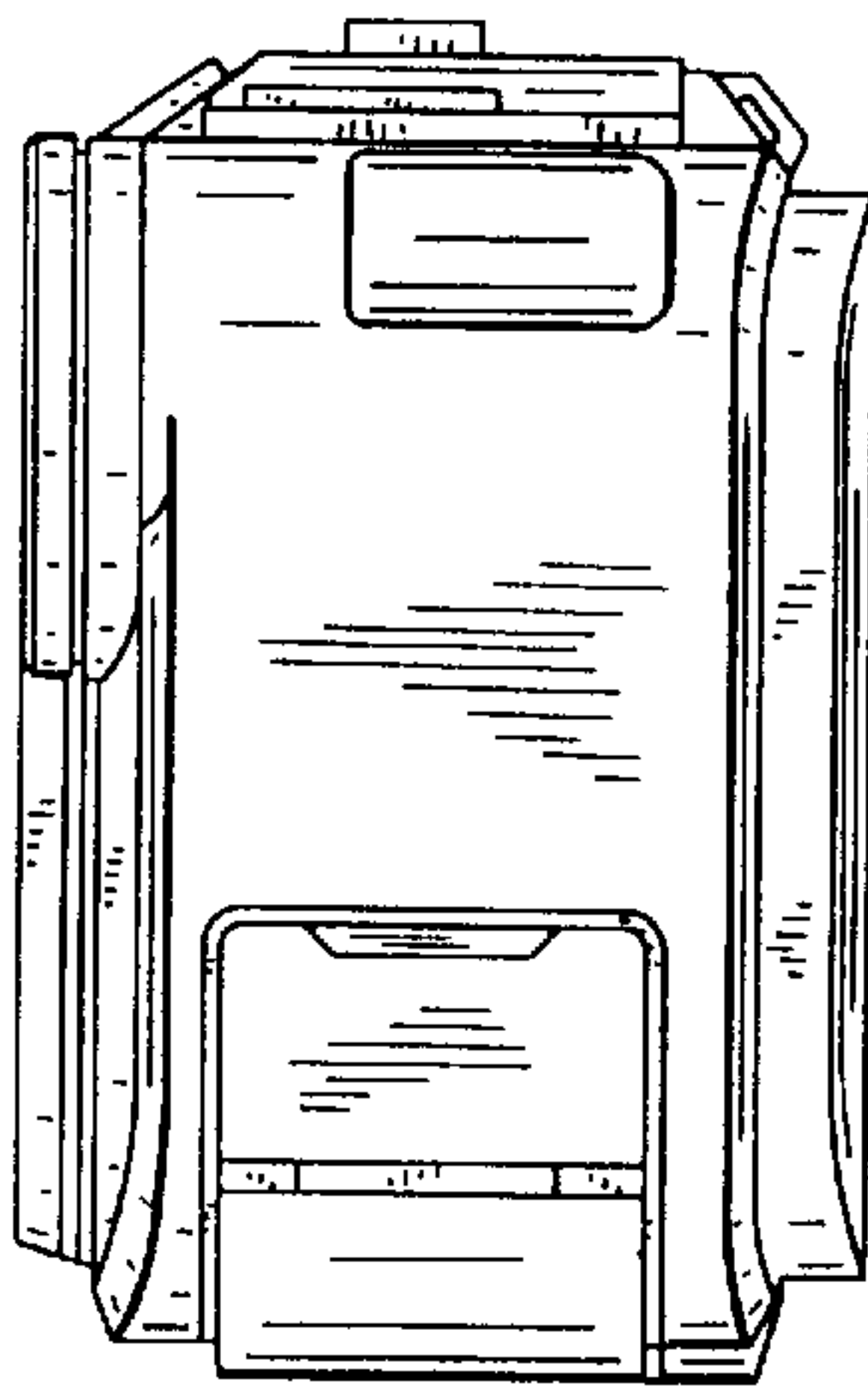


FIG. 7

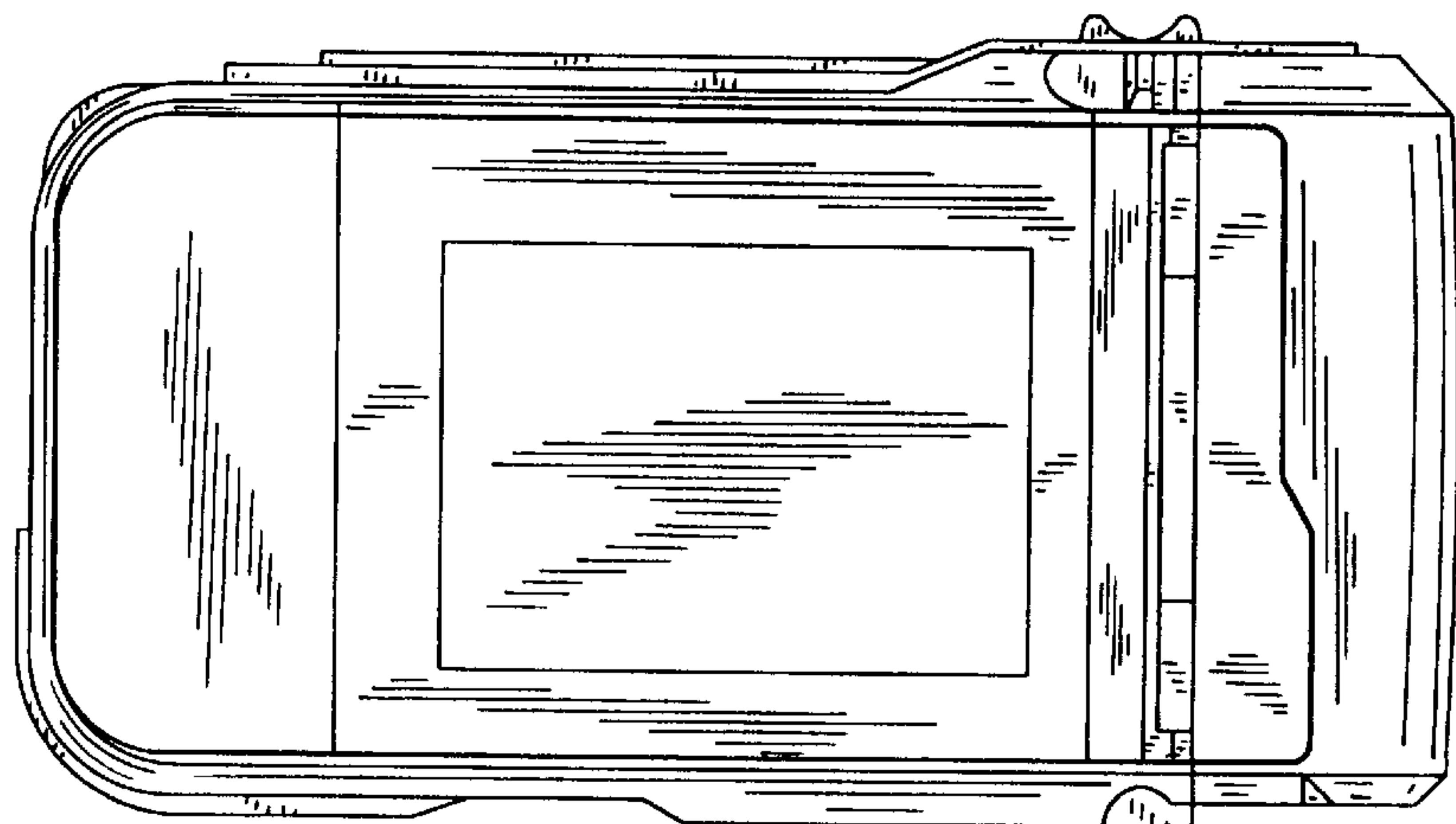


FIG. 8

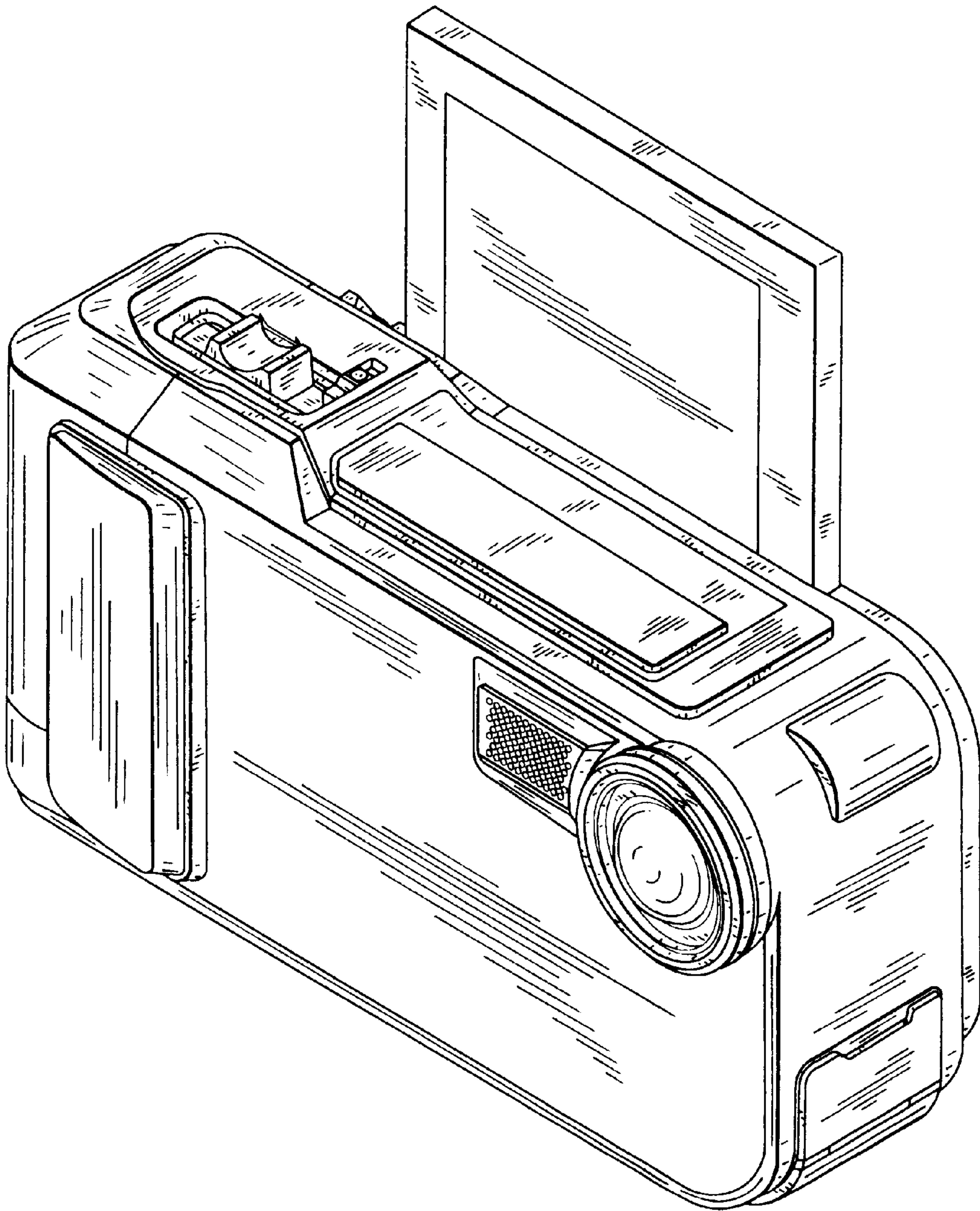


FIG.9

