



US00D416269S

**United States Patent** [19]  
**Linnér**

[11] **Patent Number: Des. 416,269**

[45] **Date of Patent: \*\* Nov. 9, 1999**

[54] **NOZZLE**

[75] Inventor: **Hans Linnér**, Kalmar, Sweden

[73] Assignee: **Norden Pac Development AB**, Sweden

[\*\*] Term: **14 Years**

[21] Appl. No.: **29/089,046**

[22] Filed: **Jun. 5, 1998**

[51] **LOC (6) Cl.** ..... **15-09**

[52] **U.S. Cl.** ..... **D15/146**

[58] **Field of Search** ..... D15/146; 156/477-479;  
239/602

[56] **References Cited**

**U.S. PATENT DOCUMENTS**

D. 372,488 8/1996 Linner ..... D15/146

*Primary Examiner*—Antoine Duval Davis  
*Attorney, Agent, or Firm*—Lerner, David, Littenberg,  
Krumholz & Mentlik, LLP

[57] **CLAIM**

The ornamental design for a nozzle, as shown and described.

**DESCRIPTION**

FIG. 1 is a bottom, perspective view of a nozzle in accordance with the design of the present invention;

FIG. 2 is a bottom, elevational view of the nozzle shown in FIG. 1;

FIG. 3 is a left side, elevational view of the nozzle shown in FIG. 1, with the right side, elevational view being a mirror image thereof; and,

FIG. 4 is a top, elevational view of the nozzle shown in FIG. 1.

**1 Claim, 1 Drawing Sheet**

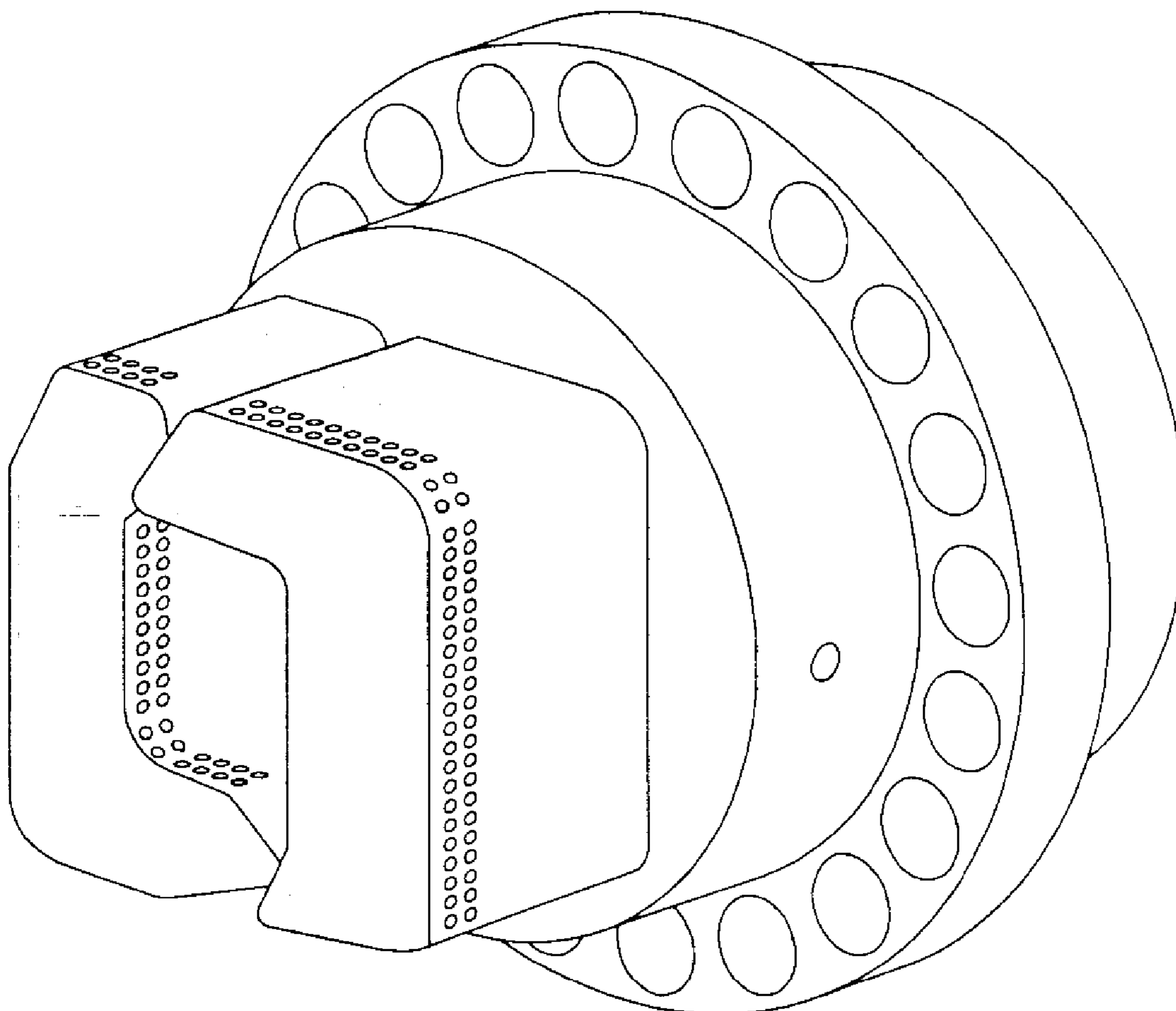


FIG. 1

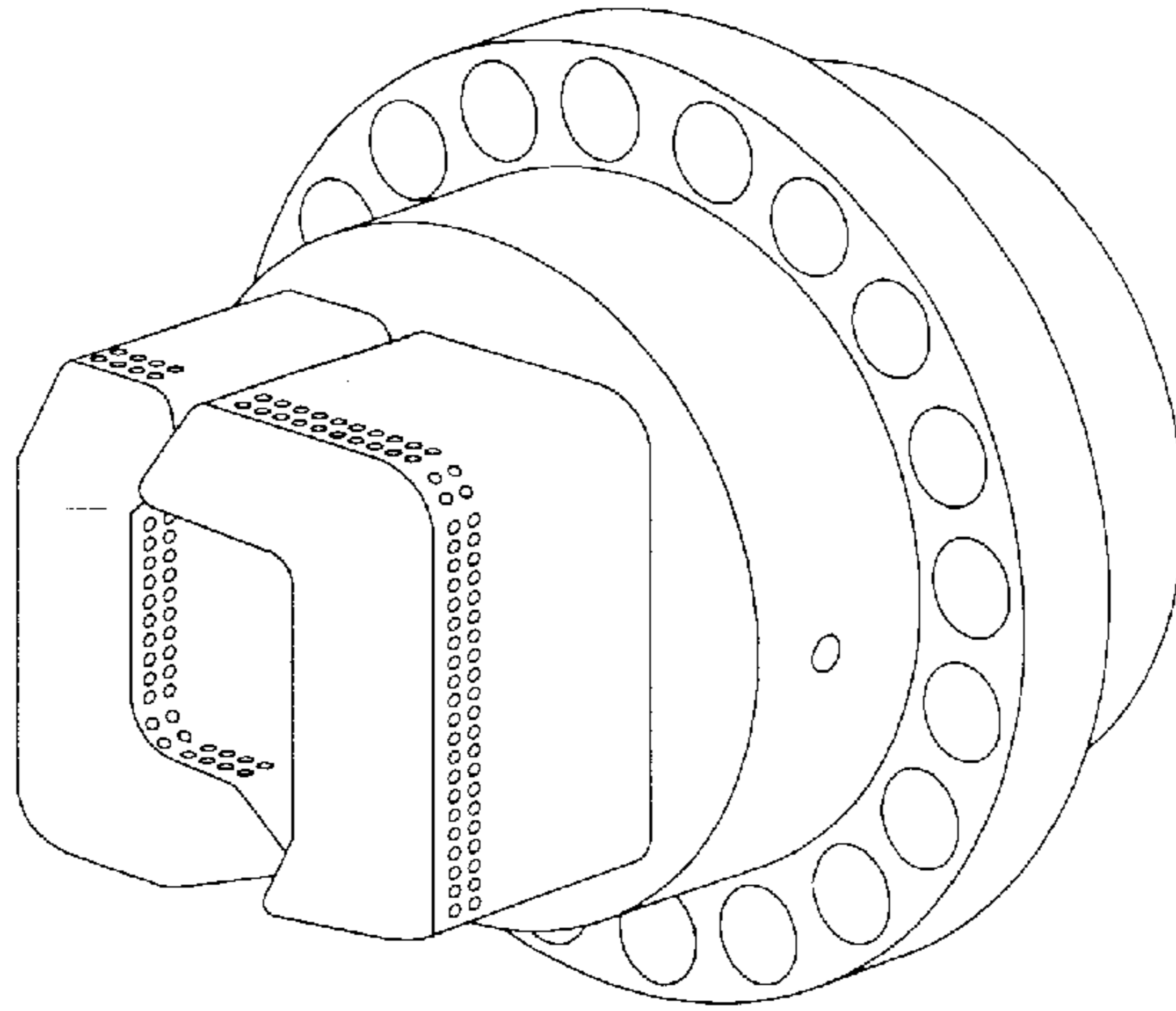


FIG. 2

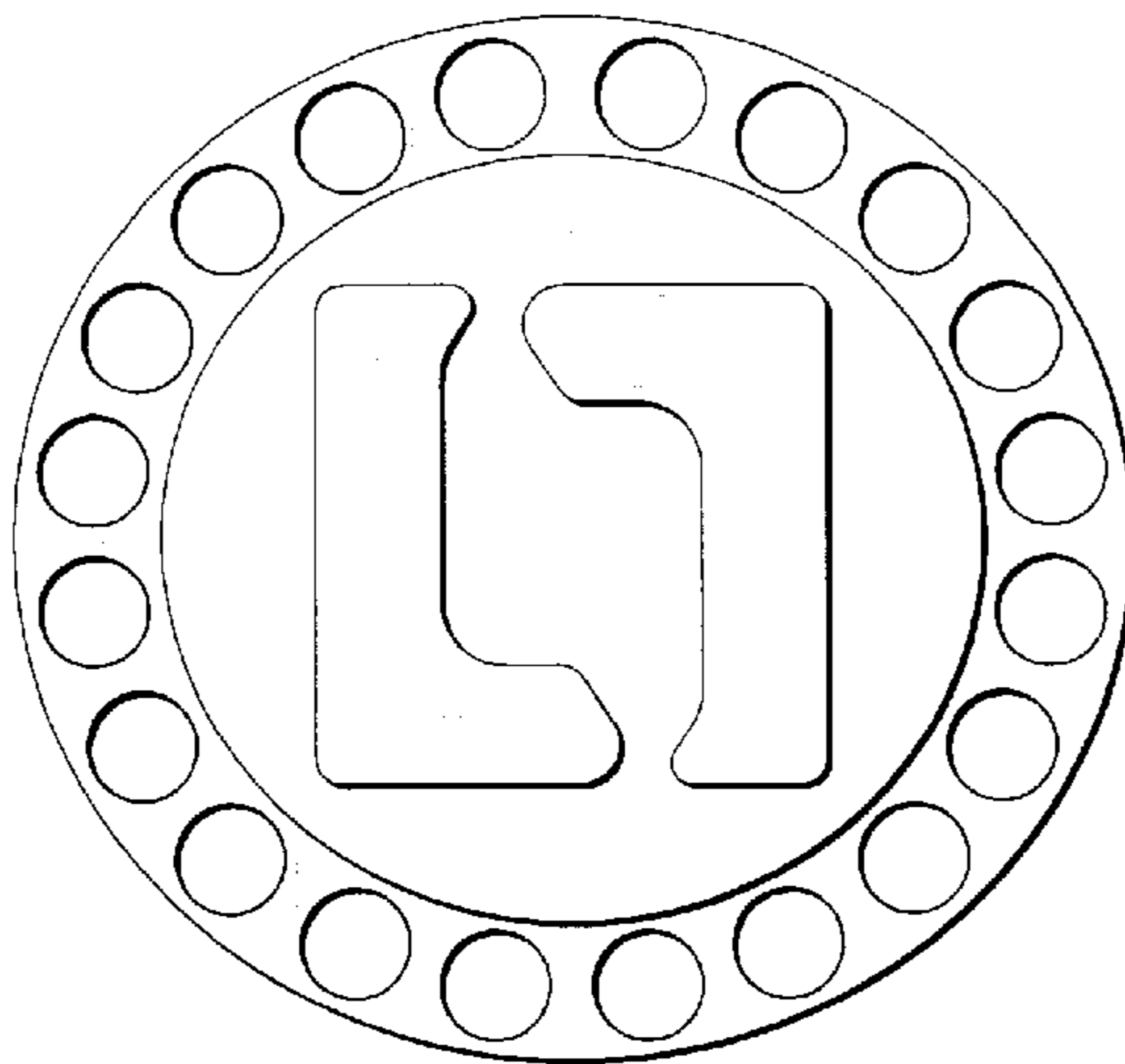


FIG. 3

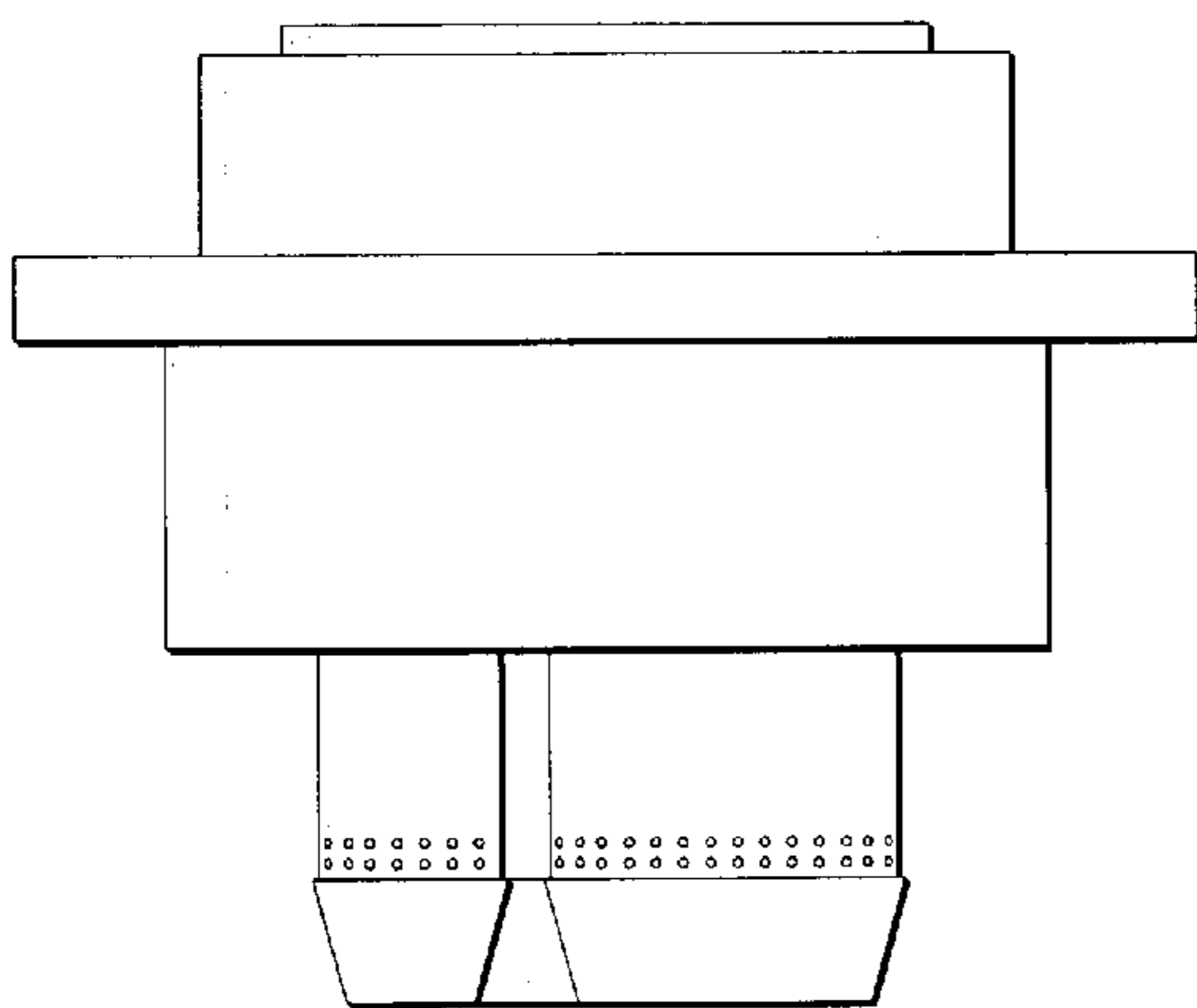
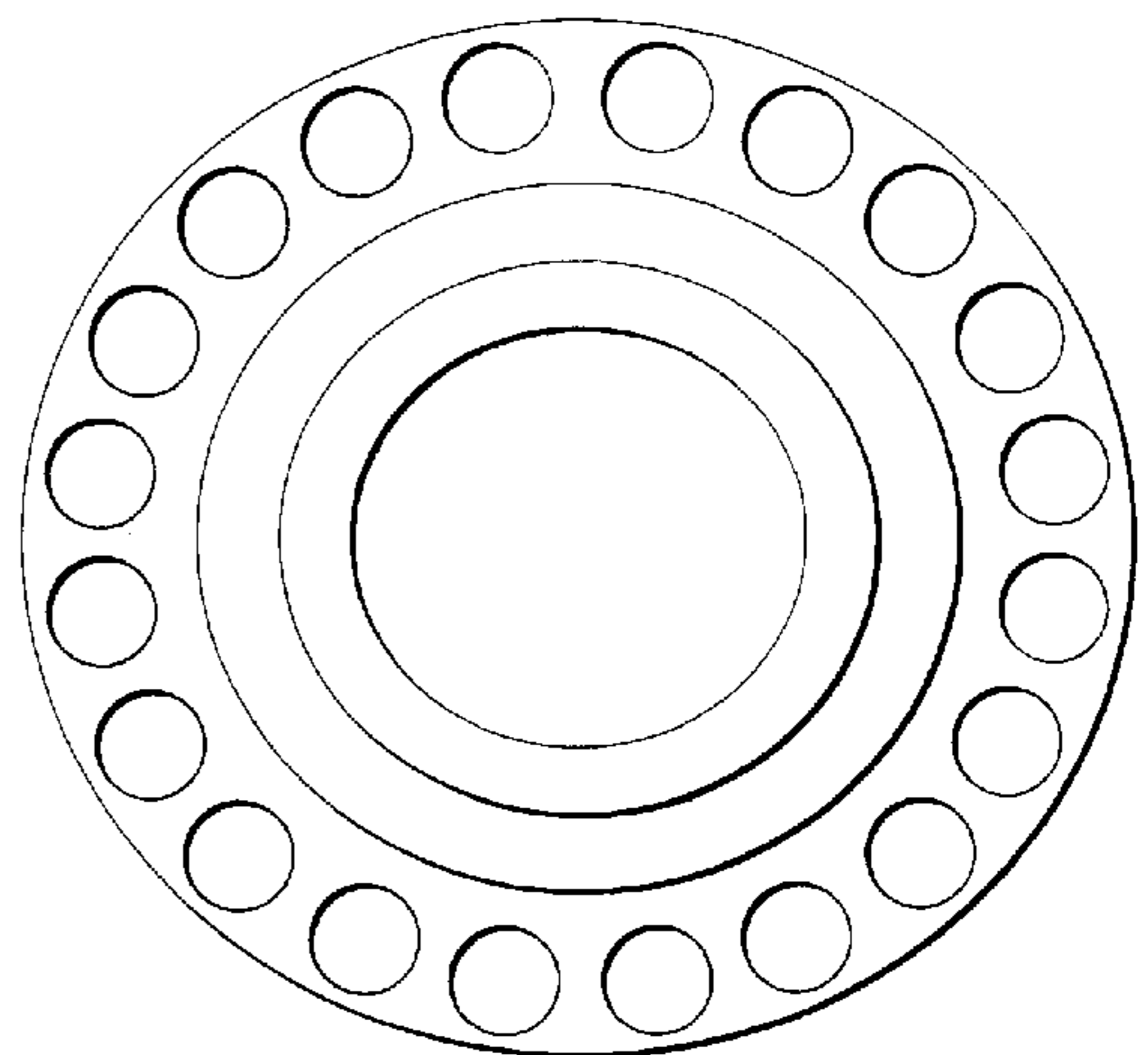


FIG. 4



UNITED STATES PATENT AND TRADEMARK OFFICE  
CERTIFICATE OF CORRECTION

PATENT NO. : Des. 416,269  
DATED : November 9, 1999  
INVENTOR(S) : Hans Linnér

It is certified that error appears in the above-identified patent and that said Letters Patent is hereby corrected as shown below:

Title page,  
Insert--[30] Foreign Application Priority Data  
Dec. 5, 1997 [SE] Sweden.....972618--

Signed and Sealed this  
Twenty-ninth Day of August, 2000

Attest:



Q. TODD DICKINSON

Attesting Officer

Director of Patents and Trademarks