



US00D416266S

United States Patent [19] Del Torchio

[11] **Patent Number: Des. 416,266**

[45] **Date of Patent: ** Nov. 9, 1999**

[54] **EARTH MOVING VEHICLE**

[75] **Inventor: Gabriele Del Torchio, Baone, Italy**

[73] **Assignee: FKI Fai Komatsu Industries S.p.A.,
Noventa Vicentina, Italy**

[**] **Term: 14 Years**

[21] **Appl. No.: 29/087,895**

[22] **Filed: May 12, 1998**

[51] **LOC (6) Cl. 15-04**

[52] **U.S. Cl. D15/25**

[58] **Field of Search D15/10, 22-26;
37/341, 403, 442, 443; 180/89.1, 89.12,
89.13; 296/190, 202; 414/685, 694, 722,
724**

[56] **References Cited**

U.S. PATENT DOCUMENTS

D. 364,408 11/1995 Bryant et al. D15/25

4,272,222	6/1981	Davis	414/694
4,329,109	5/1982	Den Bleyker	414/685
4,413,944	11/1983	Coe	414/685
4,825,567	5/1989	Andiano et al.	37/403
5,265,995	11/1993	Beck	414/694

Primary Examiner—Sandra L. Morris
Attorney, Agent, or Firm—Browdy and Neimark

[57] **CLAIM**

The ornamental design for an earth moving vehicle, as shown and described.

DESCRIPTION

FIG. 1 is a front view of the earth moving vehicle;
FIG. 2 is a rear view of the earth moving vehicle;
FIG. 3 is a left side view of the earth moving vehicle;
FIG. 4 is a right side view of the earth moving vehicle;
FIG. 5 is an upper view of the earth moving vehicle; and,
FIG. 6 is a bottom view of the earth moving vehicle.

1 Claim, 6 Drawing Sheets

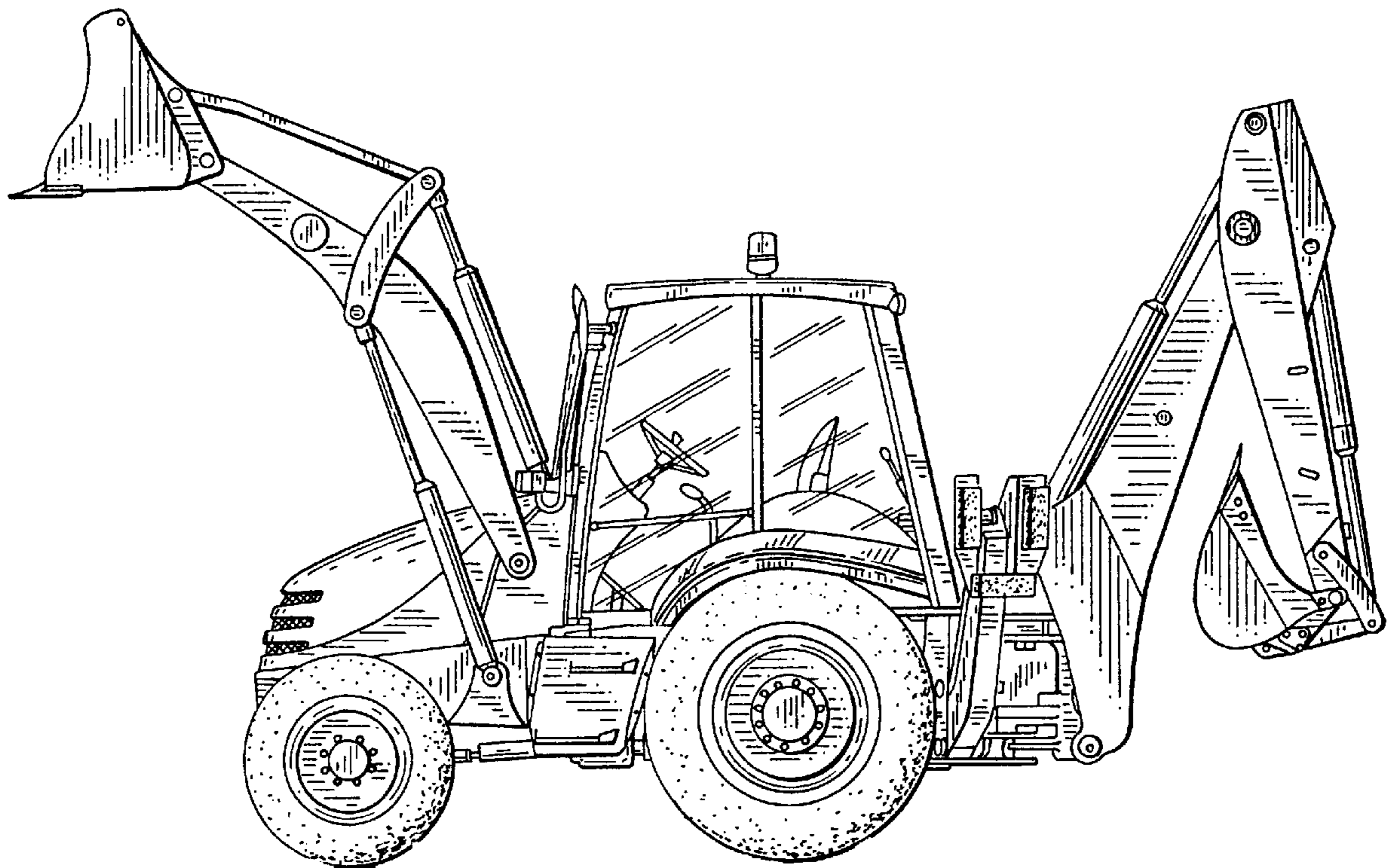


FIG. 1

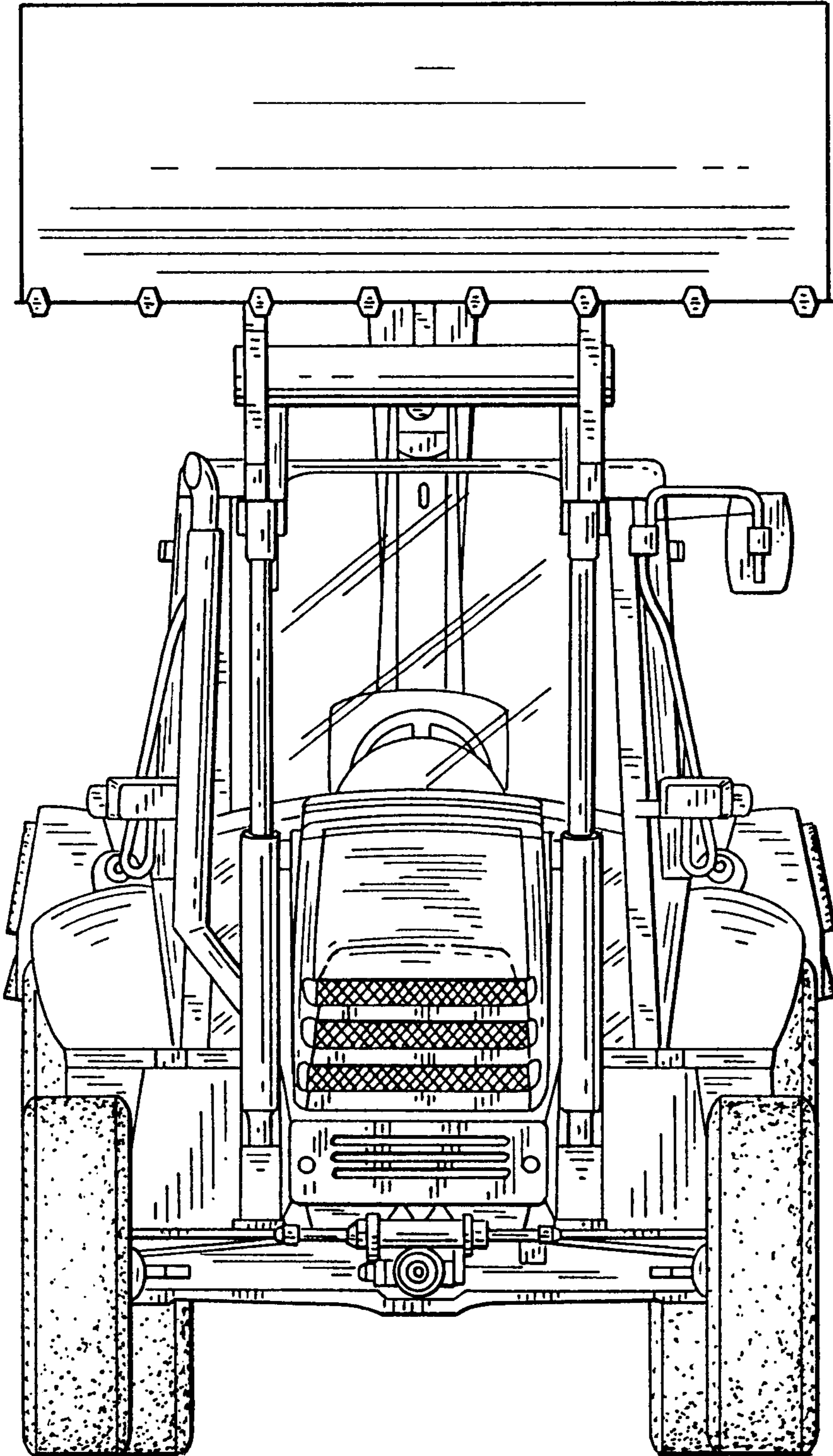


FIG. 2

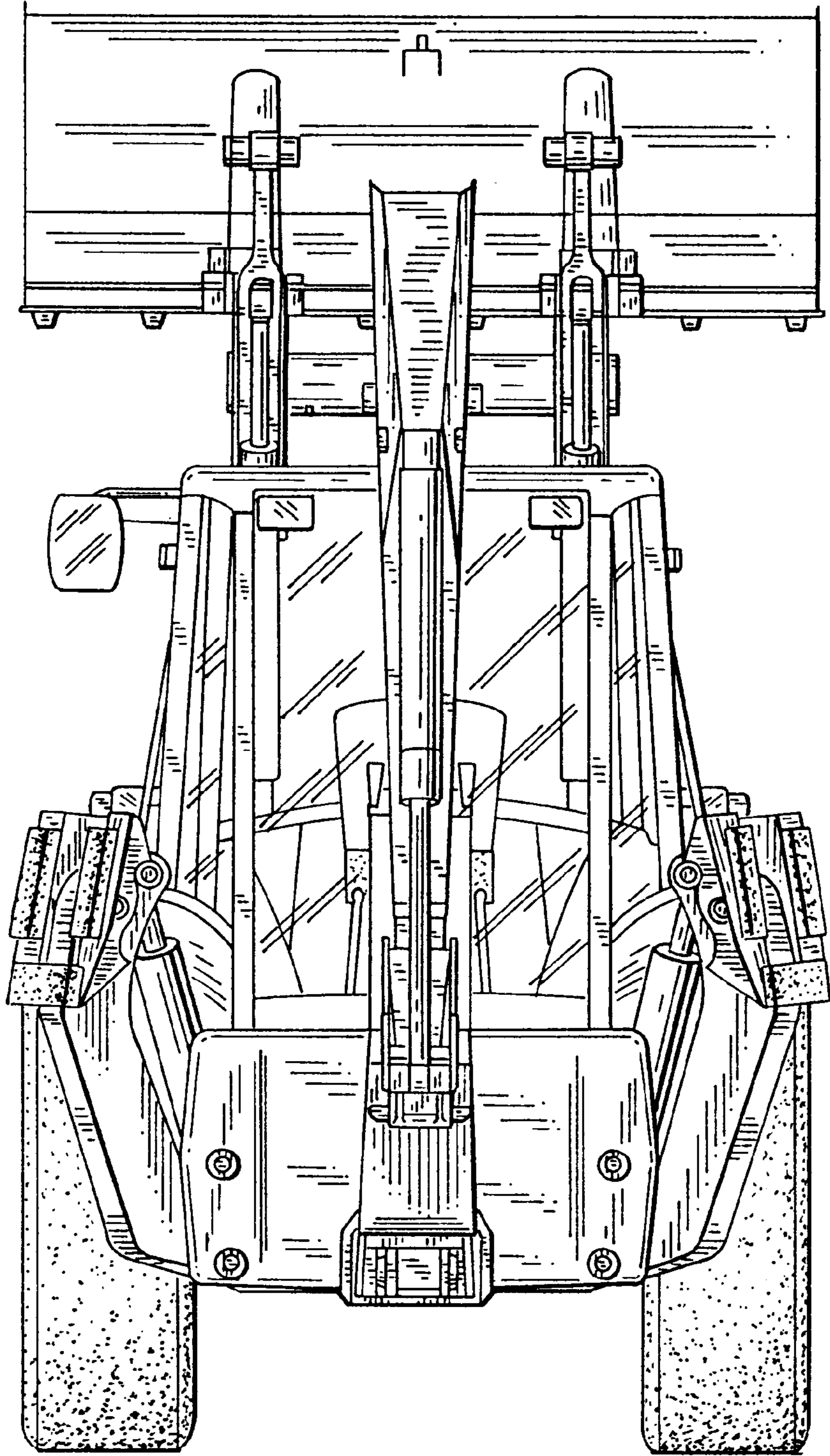


FIG. 3

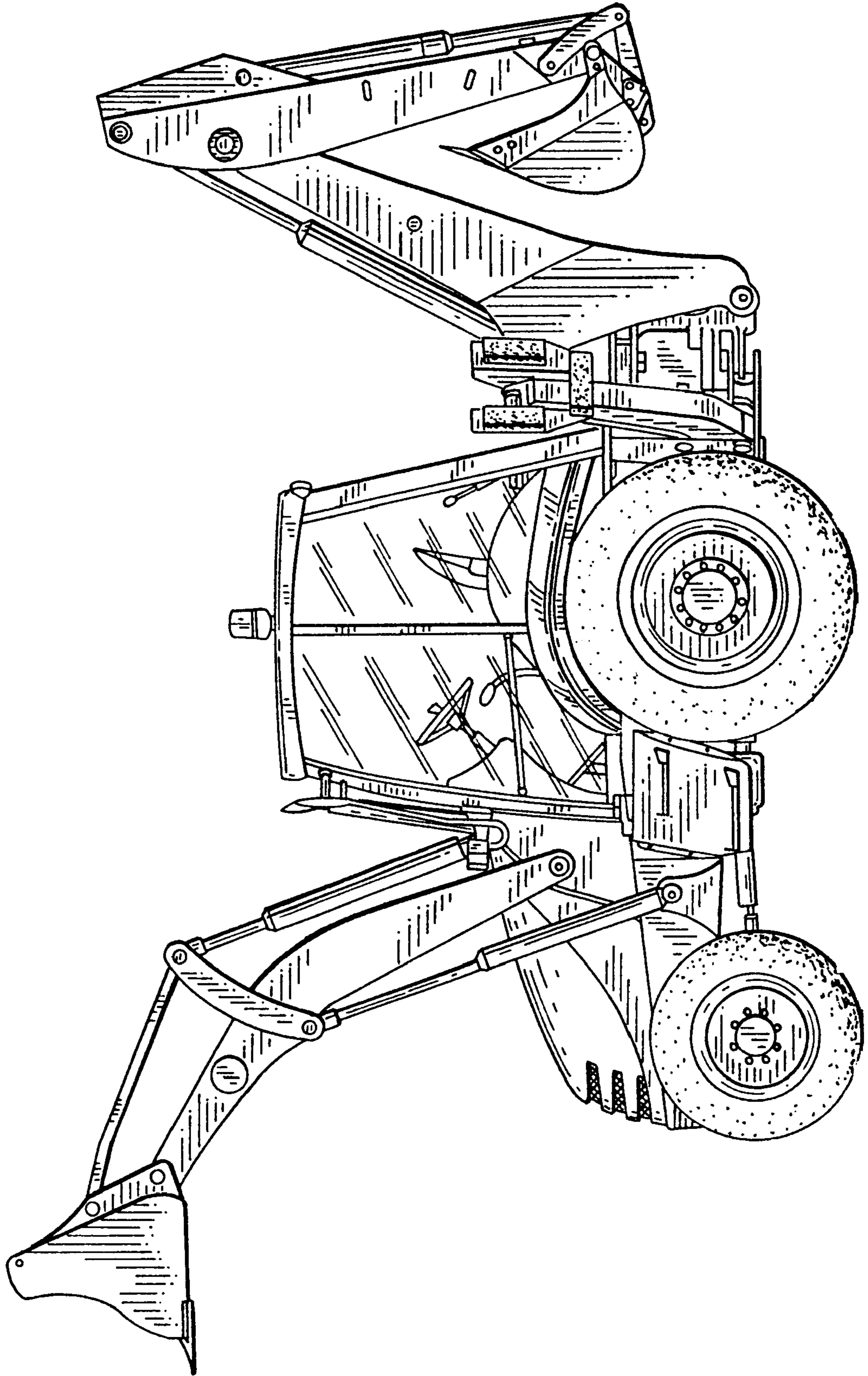


FIG. 4

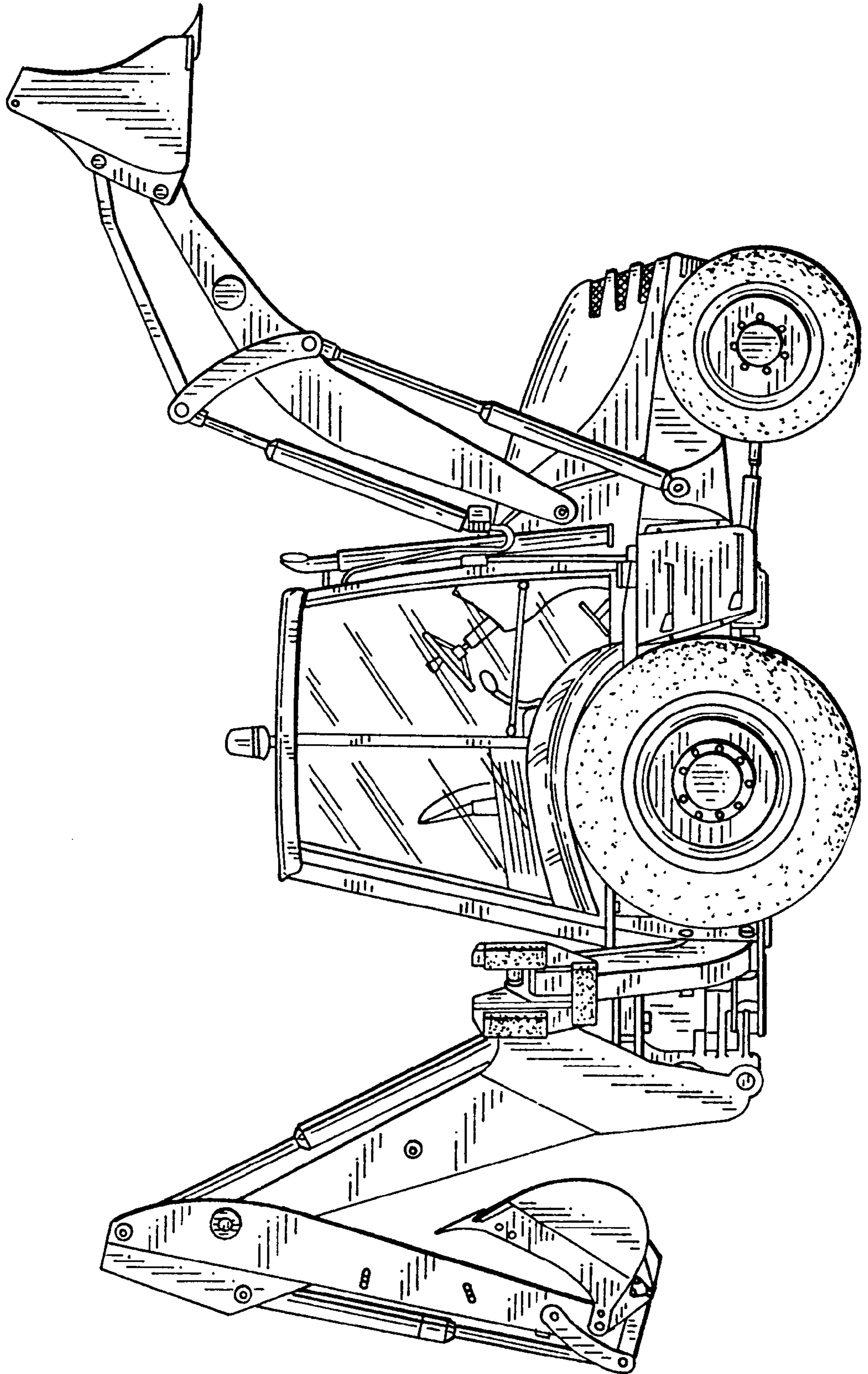


FIG. 5

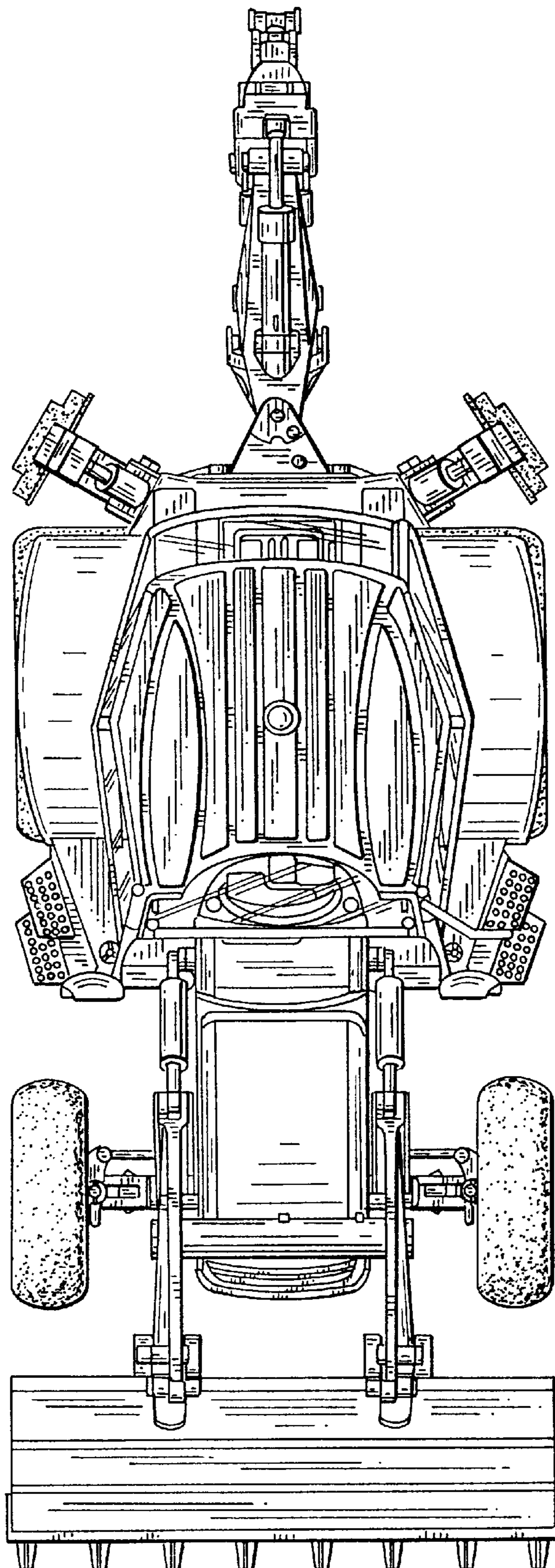


FIG. 6

