



US00D416260S

# United States Patent [19]

Harvey et al.

[11] **Patent Number: Des. 416,260**

[45] **Date of Patent: \*\* Nov. 9, 1999**

[54] **SPEAKER ENCLOSURE**

[75] Inventors: **Gregg W. Harvey; Peter F. Lynch; Robert L. Naas**, all of Skaneateles, N.Y.

[73] Assignee: **Pittway Corporation**, Chicago, Ill.

[\*\*] Term: **14 Years**

[21] Appl. No.: **29/101,440**

[22] Filed: **Mar. 4, 1999**

D. 280,818	10/1985	Clover, Jr. ....	D14/215
D. 280,985	10/1985	Grimes .....	D14/214
D. 302,430	7/1989	Matsushima et al. ....	D14/214
5,133,428	7/1992	Perrson .....	181/199 X

*Primary Examiner*—Nanda Bondade  
*Attorney, Agent, or Firm*—Anthony R. Barkume, P.C.

## [57] CLAIM

The ornamental design for a speaker enclosure, as shown and described.

## DESCRIPTION

FIG. 1 is a front, top and left side perspective view of a speaker enclosure showing our new design;

FIG. 2 is a top plan view thereof;

FIG. 3 is a front elevational view thereof;

FIG. 4 is a right side elevational view thereof, the left side being a mirror image;

FIG. 5 is a rear elevational view thereof; and,

FIG. 6 is a bottom plan thereof.

## Related U.S. Application Data

[62] Division of application No. 29/090,247, Jul. 2, 1998, Pat. No. Des. 409,198.

[51] **LOC (6) Cl.** ..... **14-01**

[52] **U.S. Cl.** ..... **D14/215; D14/214**

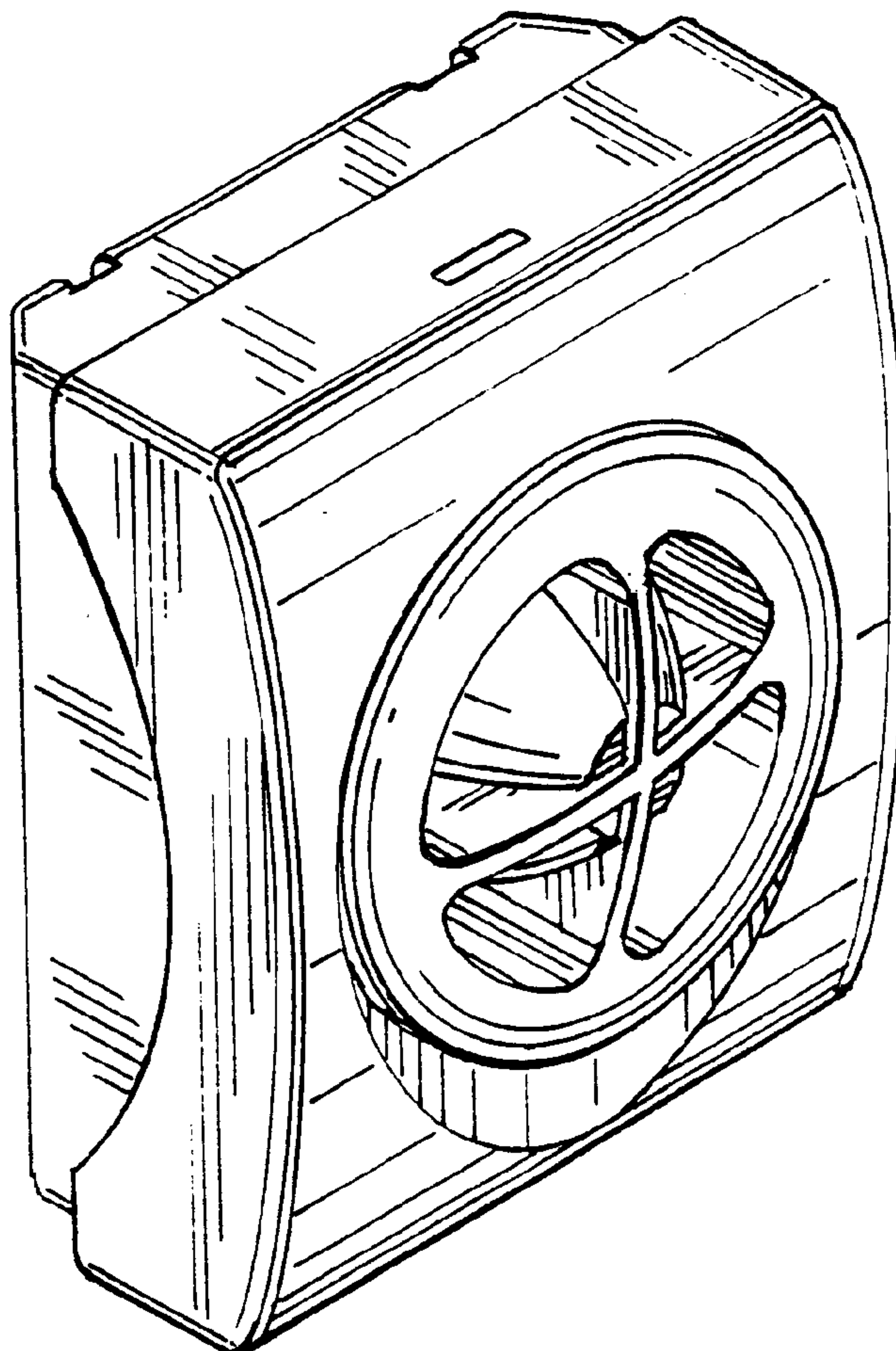
[58] **Field of Search** ..... D14/204, 209–216; 181/144, 145, 147, 148, 150, 157, 198, 199; 381/24, 88, 90, 159, 186

## [56] References Cited

### U.S. PATENT DOCUMENTS

D. 263,823 4/1982 Chapman ..... D14/212

**1 Claim, 1 Drawing Sheet**



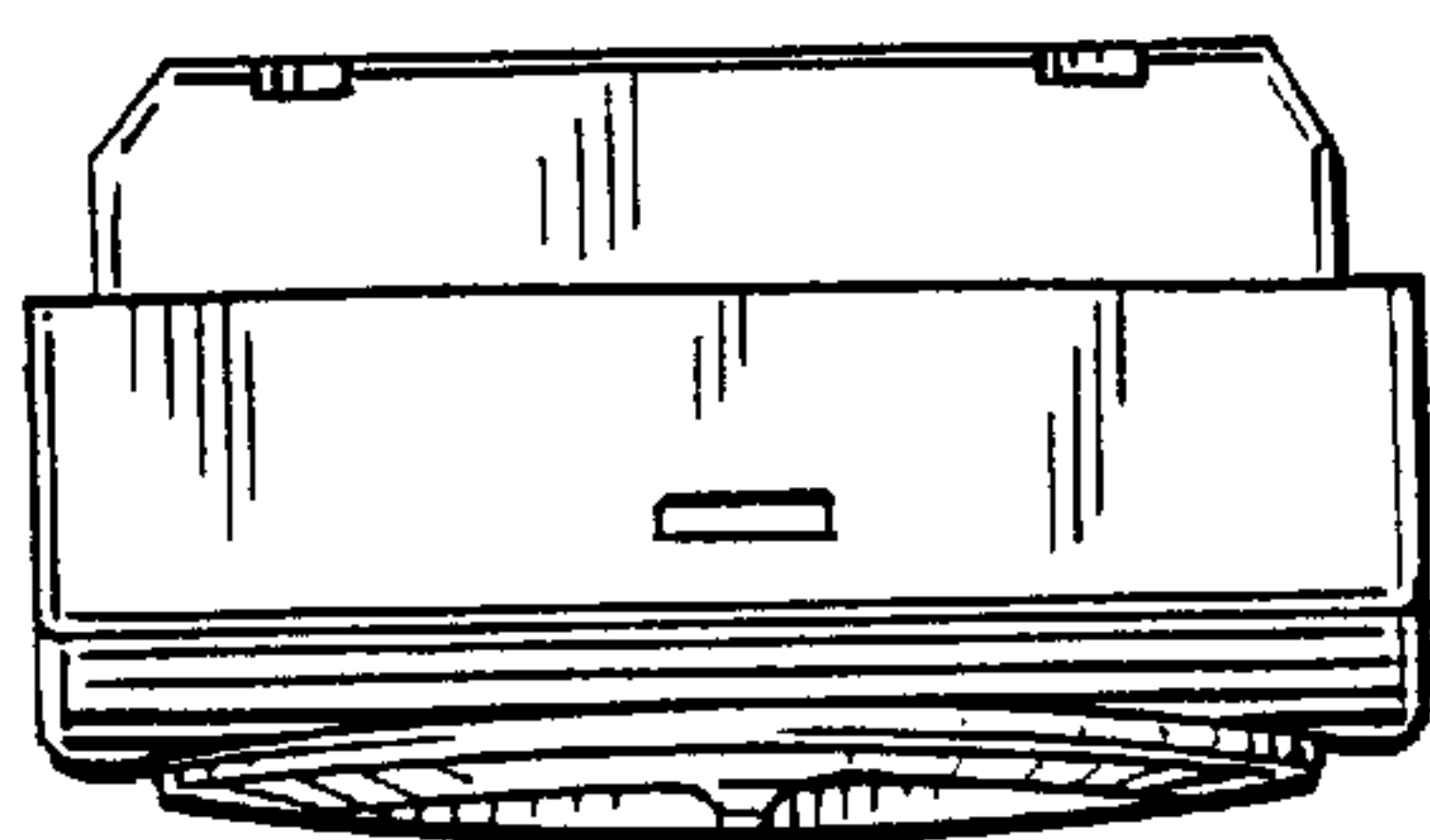


FIG. 2

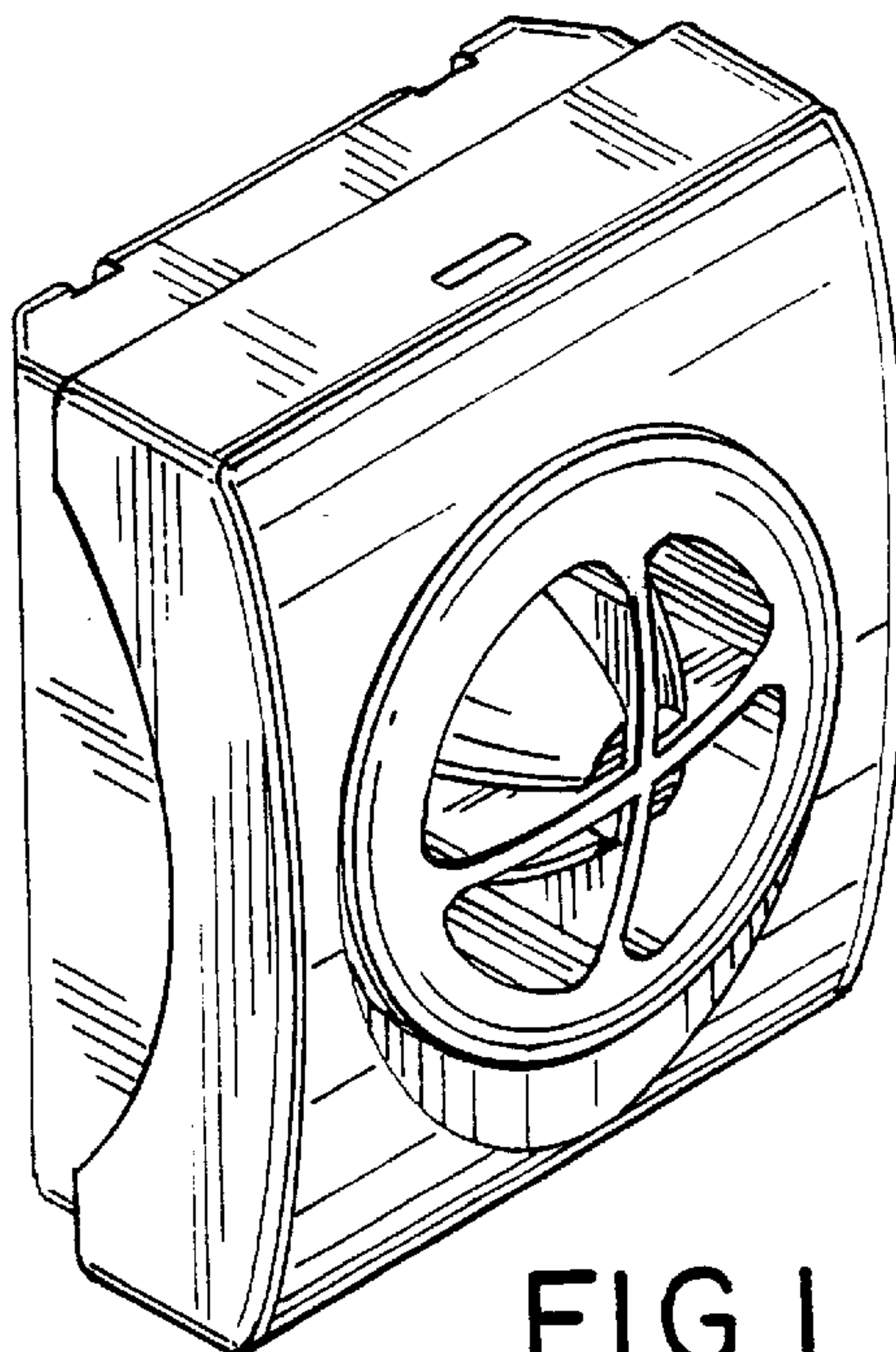


FIG. 1

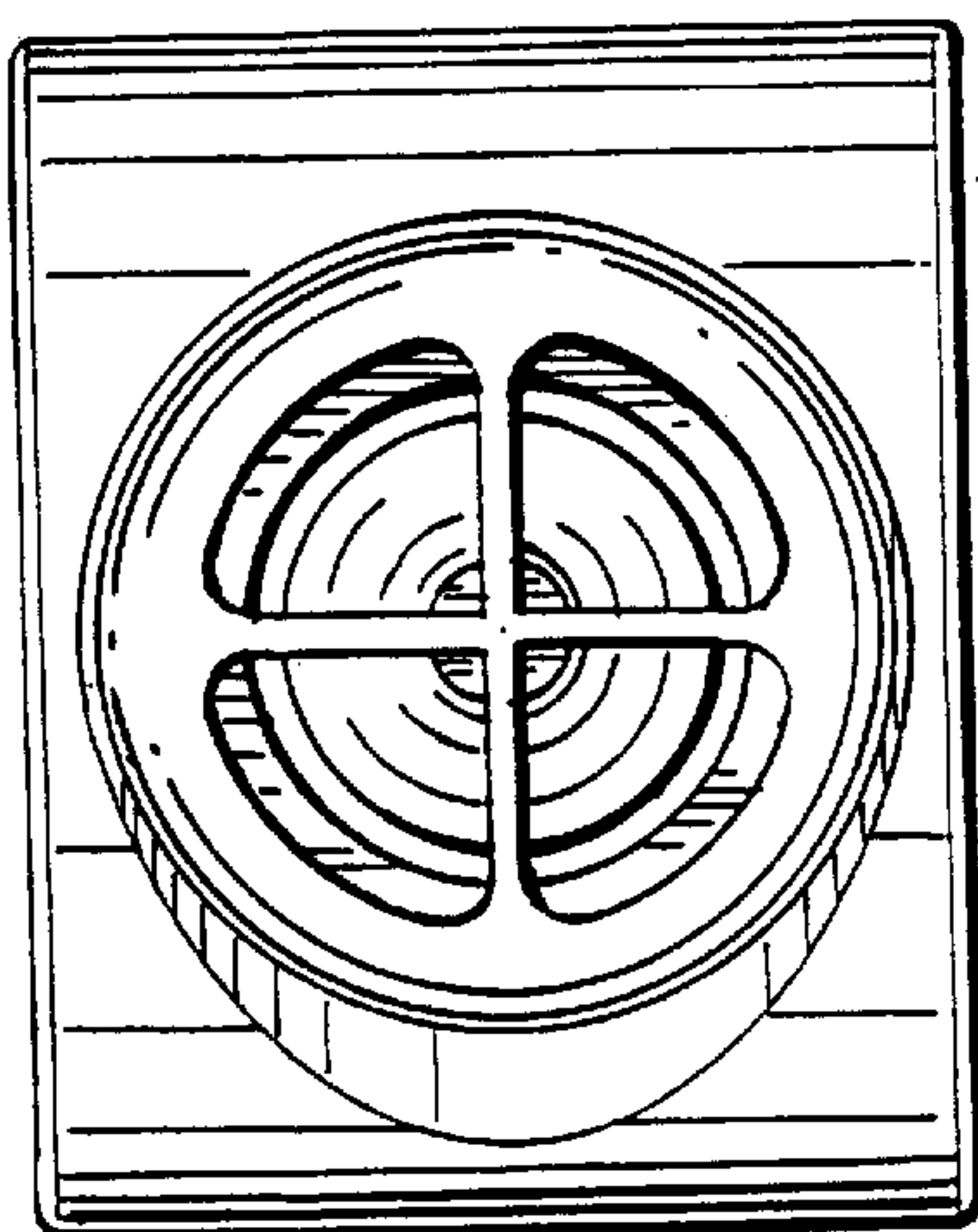


FIG. 3

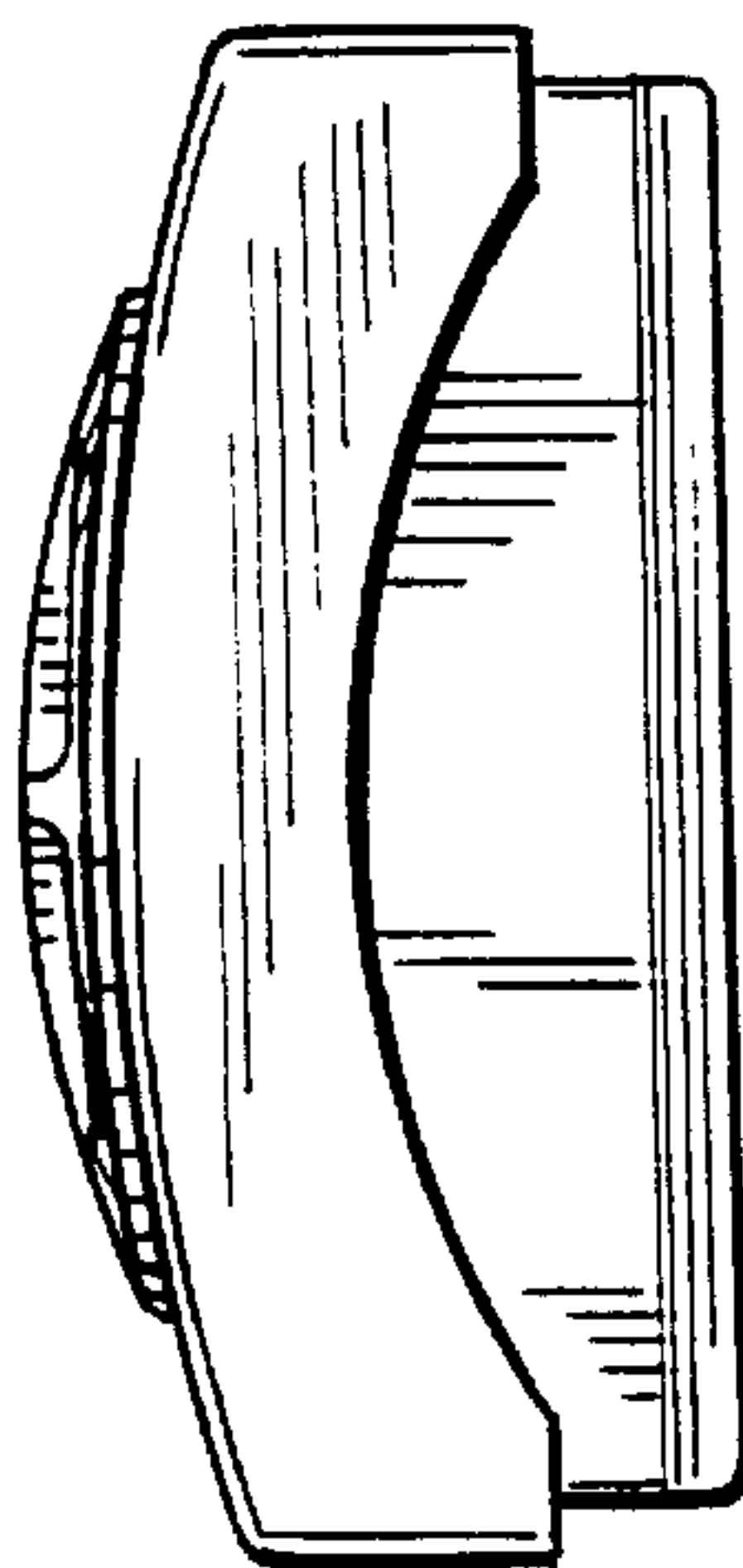


FIG. 4

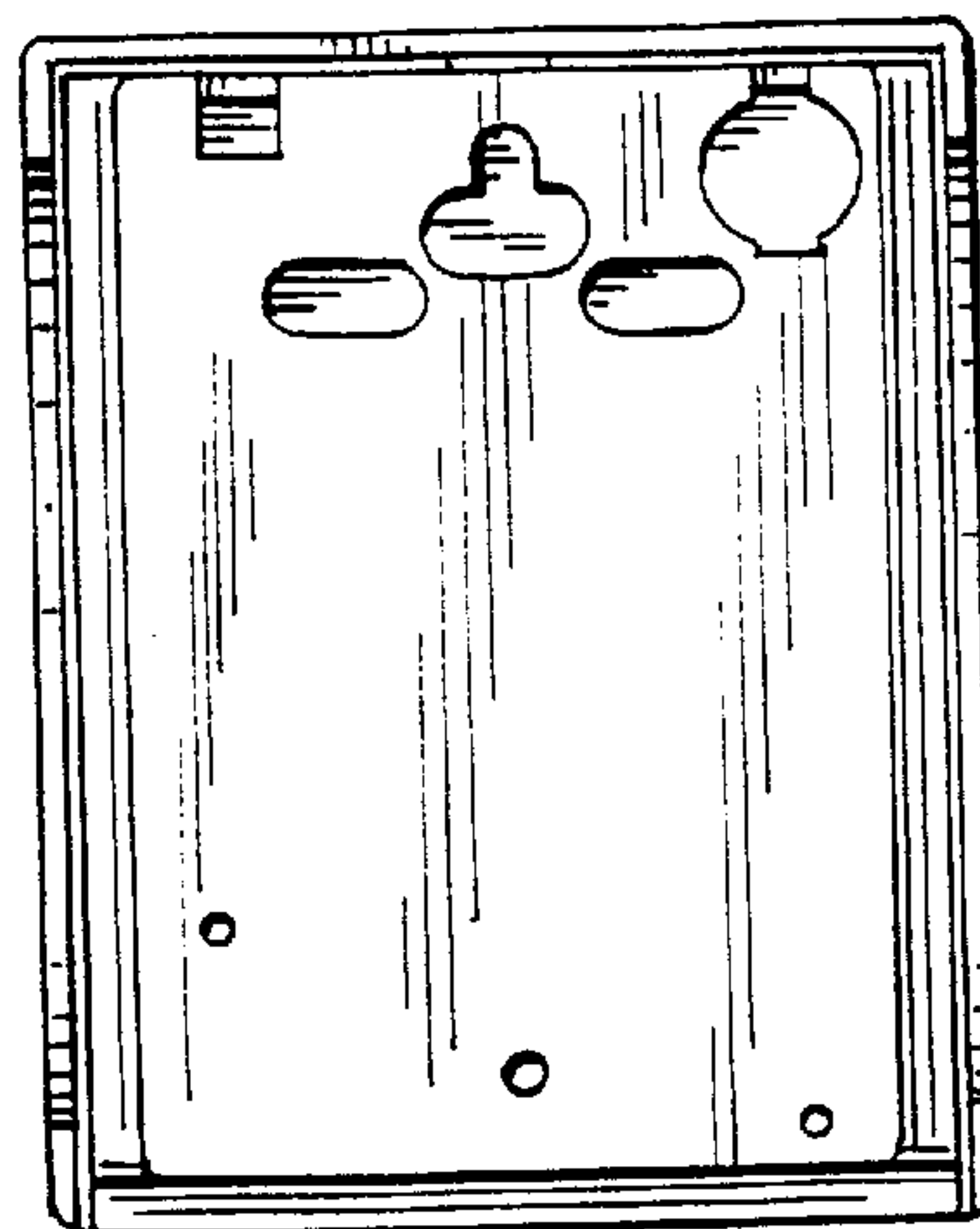


FIG. 5

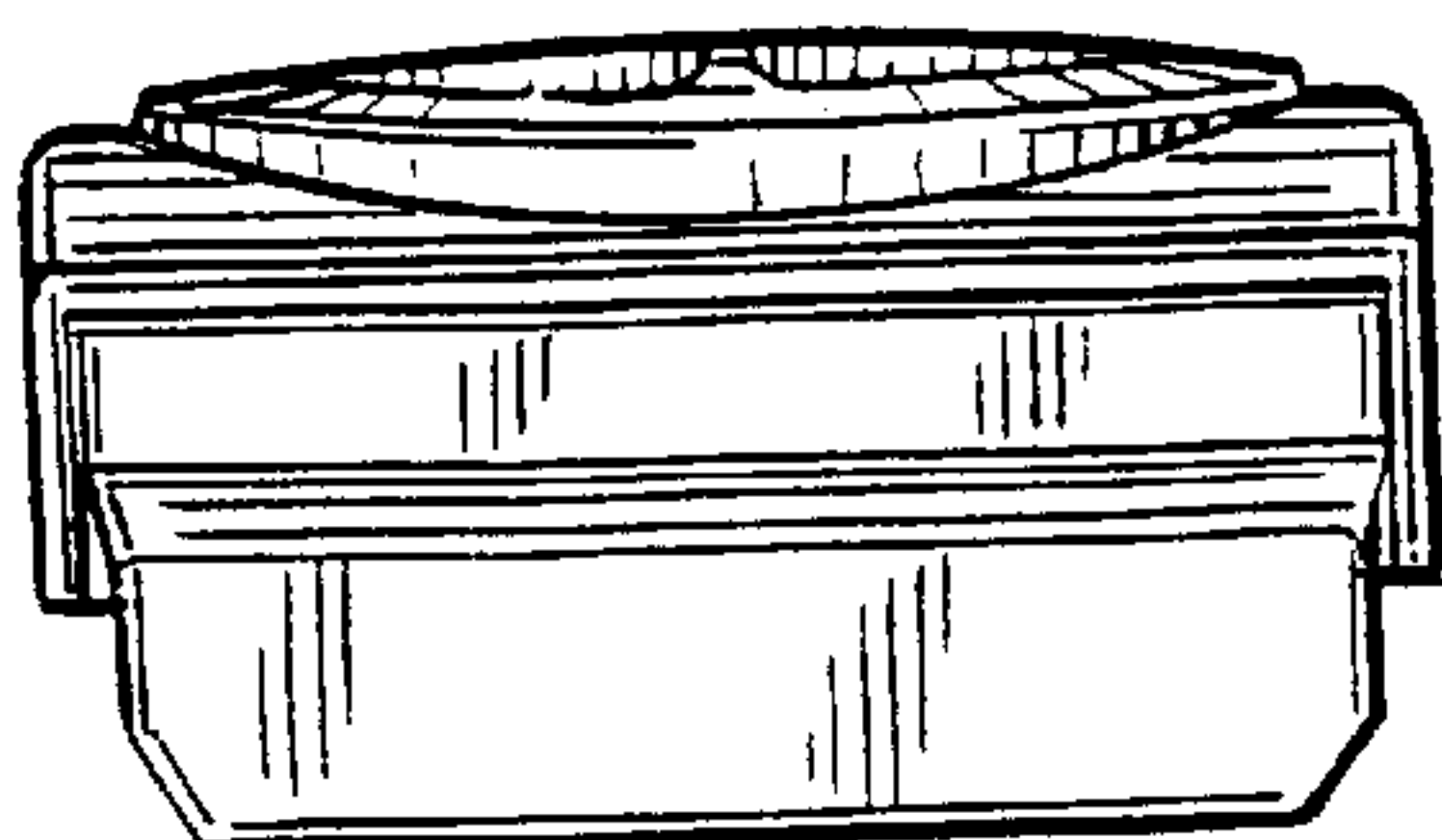


FIG. 6