



US00D416256S

United States Patent [19]
Griffin et al.

[11] **Patent Number: Des. 416,256**

[45] **Date of Patent: ** Nov. 9, 1999**

[54] **HAND-HELD MESSAGING DEVICE WITH KEYBOARD**

[75] Inventors: **Jason T. Griffin; John A. Holmes; Mihal Lazaridis**, all of Waterloo, Canada

[73] Assignee: **Research In Motion Limited**, Waterloo, Canada

[**] Term: **14 Years**

[21] Appl. No.: **29/089,942**

[22] Filed: **Jun. 26, 1998**

[51] **LOC (6) Cl.** **14-03**

[52] **U.S. Cl.** **D14/191; D14/100; D14/115**

[58] **Field of Search** **D14/100, 106, D14/115, 191, 192; D18/1, 7; 178/17 A, 17 C; 235/145 A, 145 R; 200/5 A, 5 R, 6 A, 6 R; 345/168; 341/22, 23; 364/708.1; 400/472, 479, 484-486; 340/311.1; 455/92, 100, 128, 351**

[56] **References Cited**

U.S. PATENT DOCUMENTS

- D. 278,341 4/1985 Scheid D14/100
- D. 293,241 12/1987 Wan et al. D14/100
- D. 357,253 4/1995 Wong D14/191
- D. 383,756 9/1997 Henderson et al. D14/191

D. 386,497 11/1997 Huslig et al. D14/191

Primary Examiner—Freda Nunn
Attorney, Agent, or Firm—Jones, Day, Reavis & Pogue; Charles B. Meyer, Esq.

[57] **CLAIM**

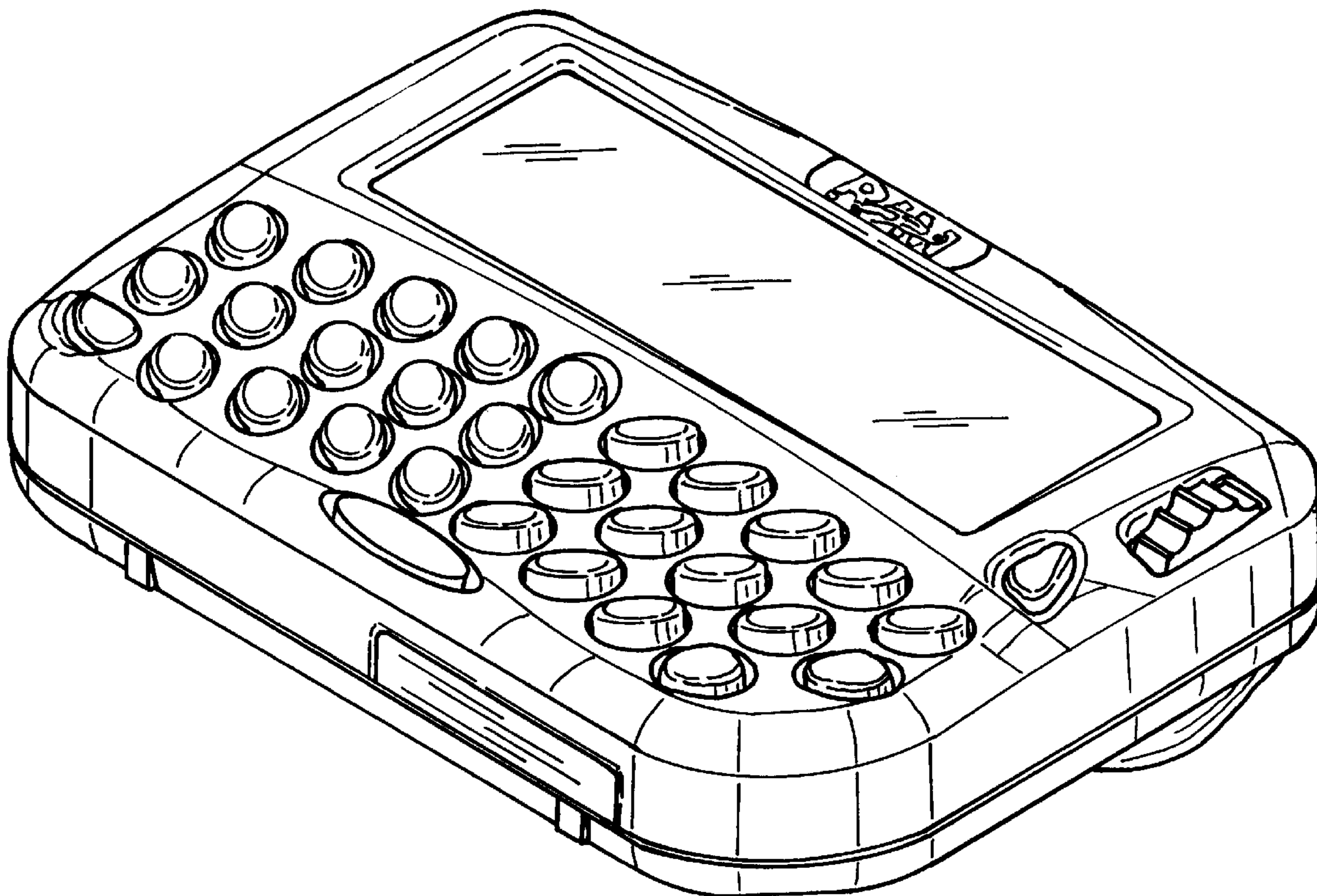
We claim the ornamental design for a hand-held messaging device with keyboard, as shown and described.

DESCRIPTION

FIG. 1 is a front elevational view of a hand-held messaging device with a keyboard embodying the subject invention; FIG. 2 is a rear elevational view thereof; FIG. 3 is a left elevational view thereof; FIG. 4 is a right elevational view thereof; FIG. 5 is a bottom plan view thereof; FIG. 6 is a top plan view thereof; FIG. 7 is a front perspective view thereof; FIG. 8 is a rear perspective view thereof; FIG. 9 is a front elevational view of an alternative embodiment of the subject invention; FIG. 10 is a rear elevational view thereof; FIG. 11 is a top plan view thereof; FIG. 12 is a front perspective view thereof; and, FIG. 13 is a rear perspective view thereof.

Those views of the second embodiment that are not specifically set forth are the same as the corresponding views in the first embodiment.

1 Claim, 11 Drawing Sheets



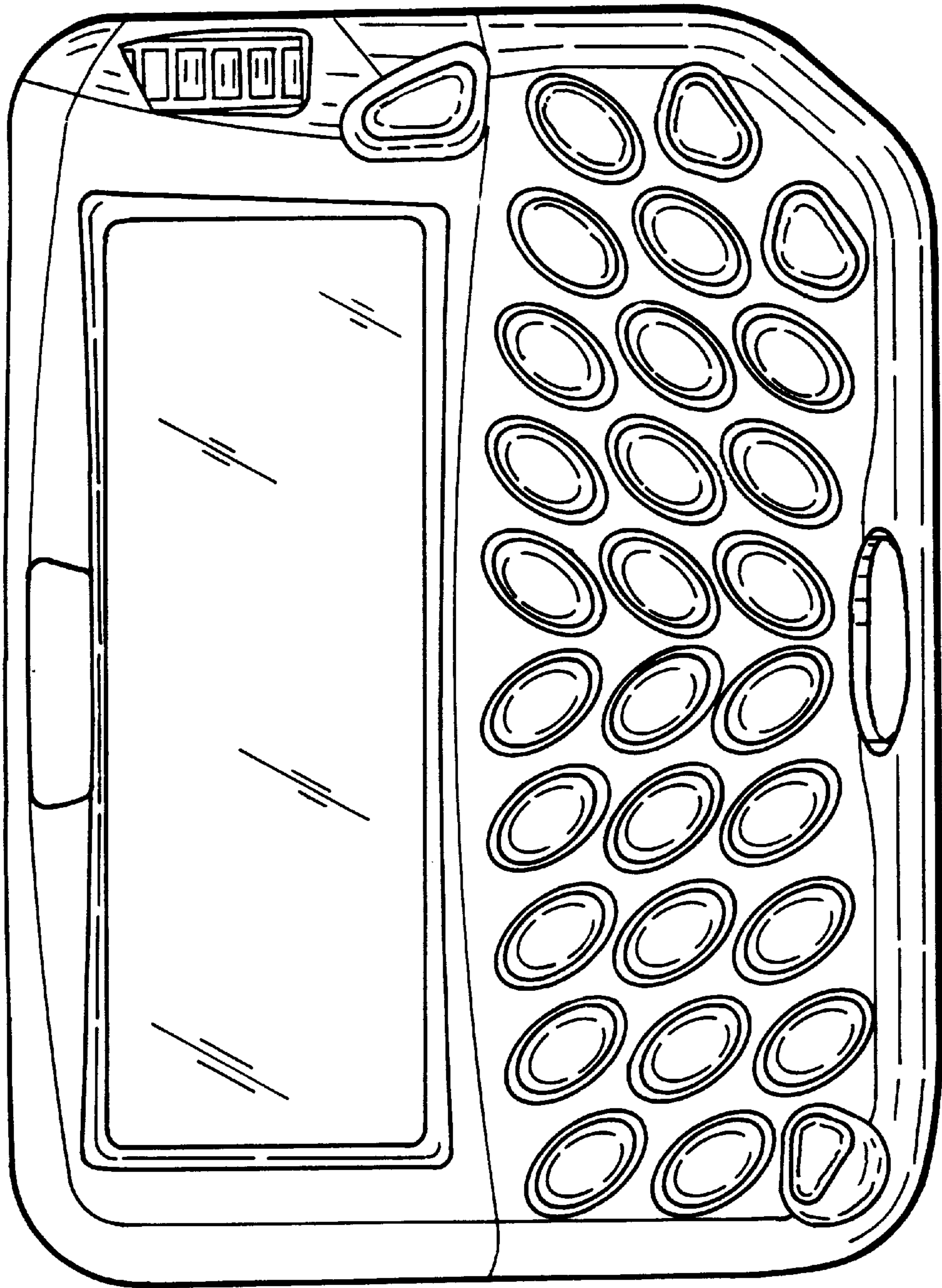


FIG. 1

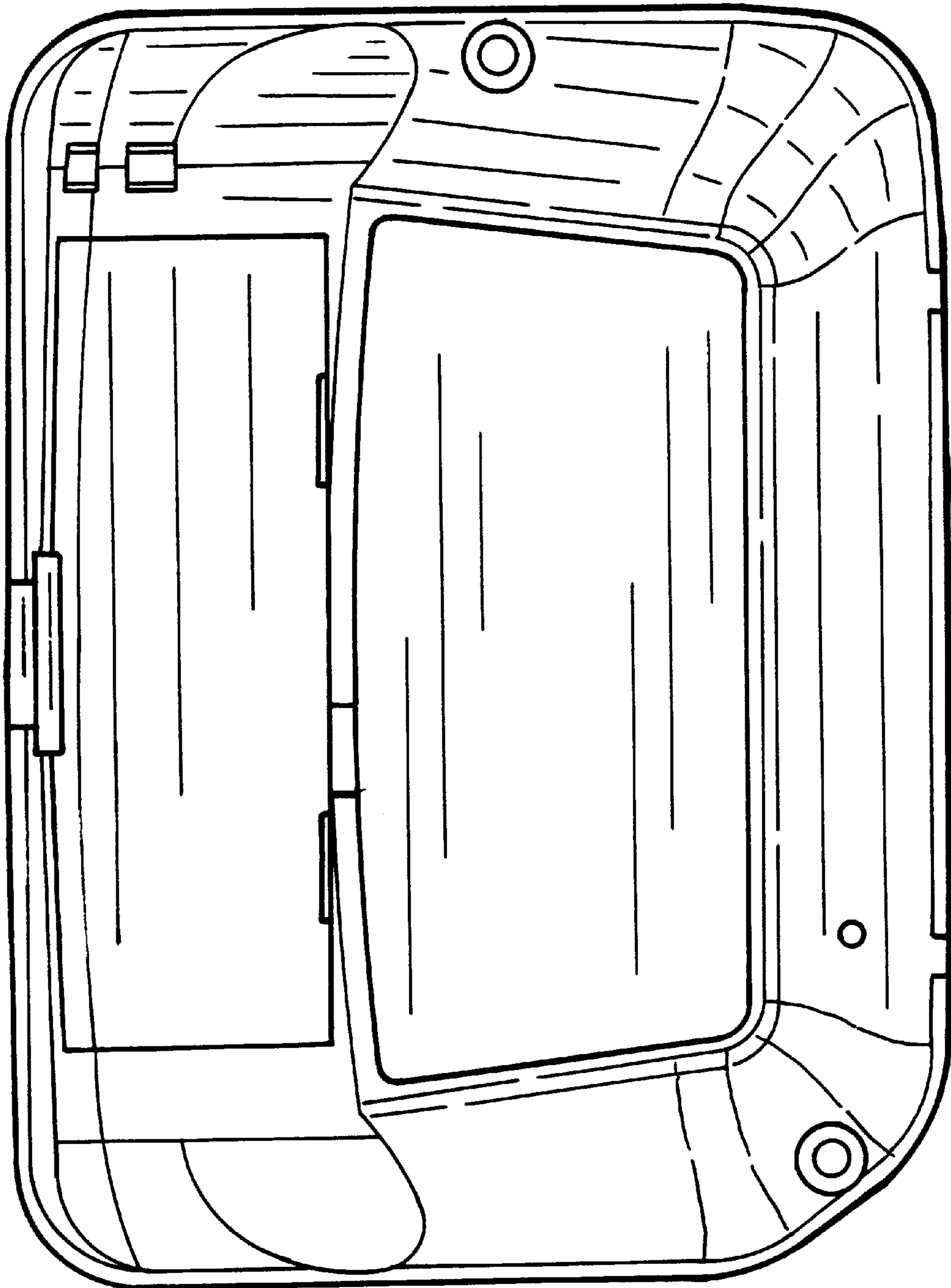


FIG. 2

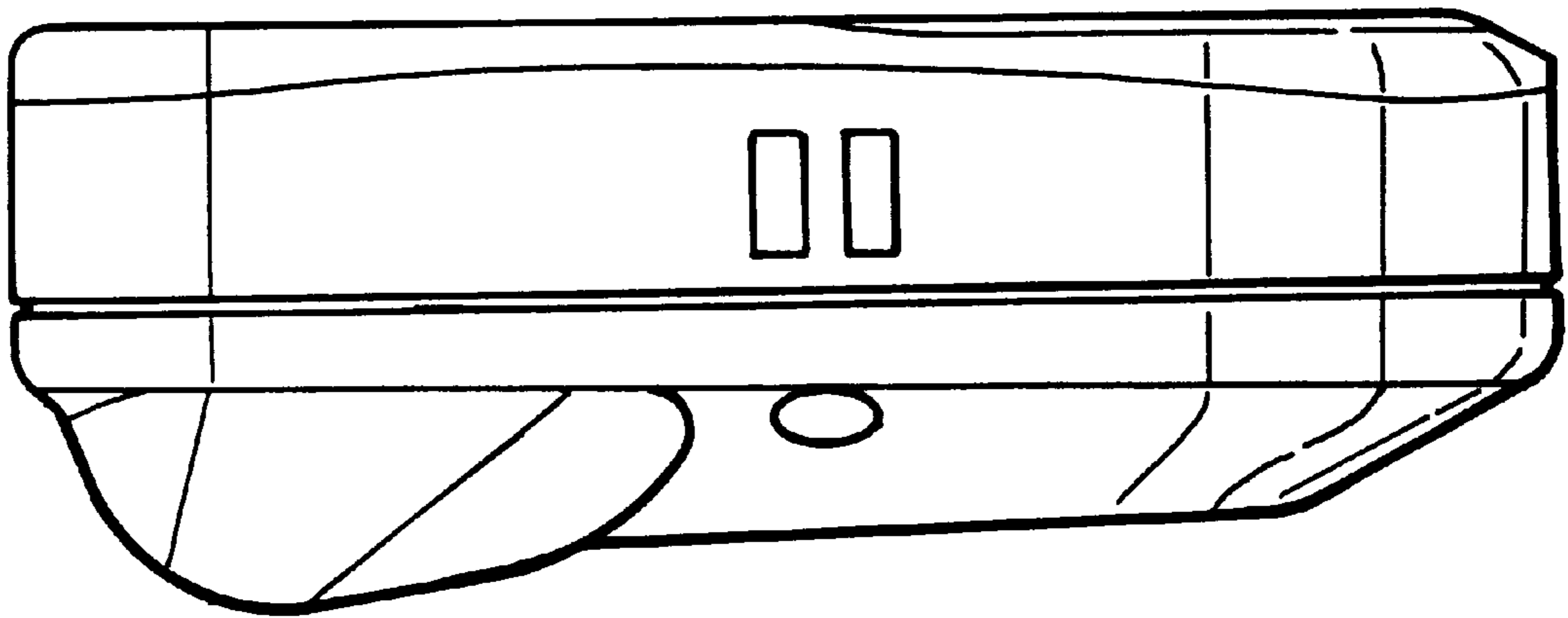


FIG. 3

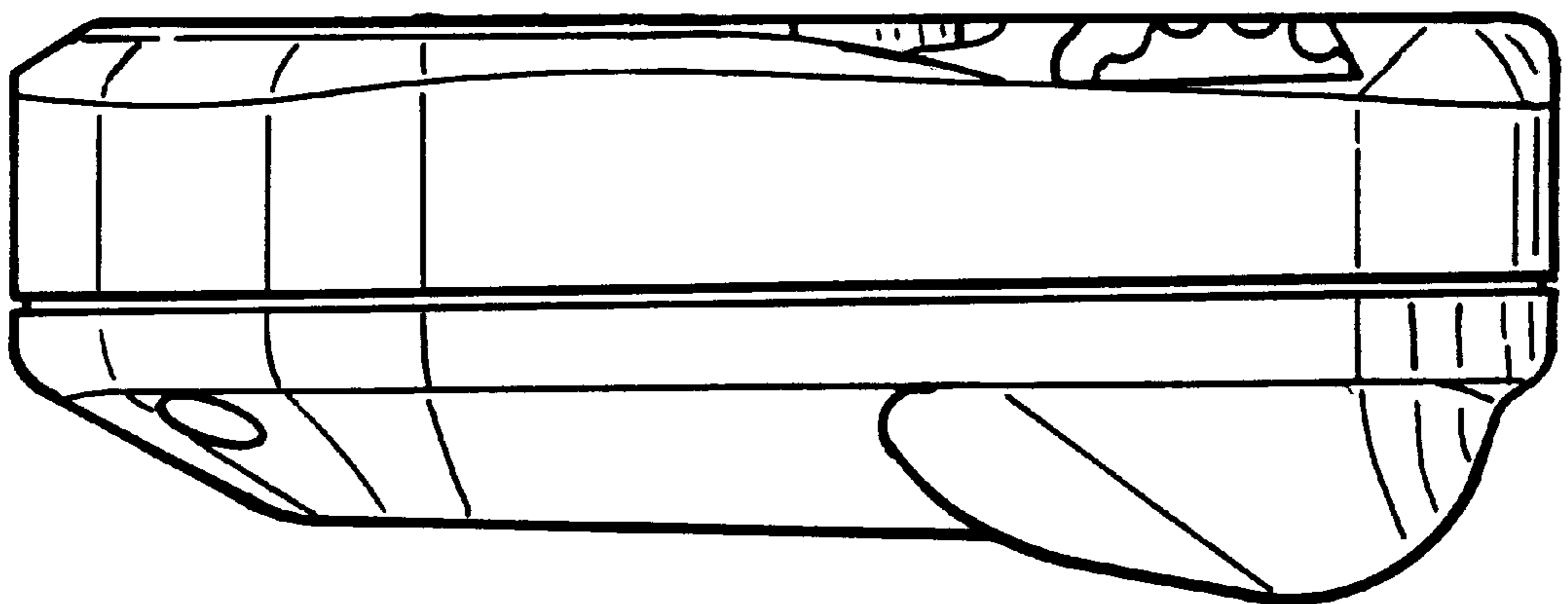


FIG. 4

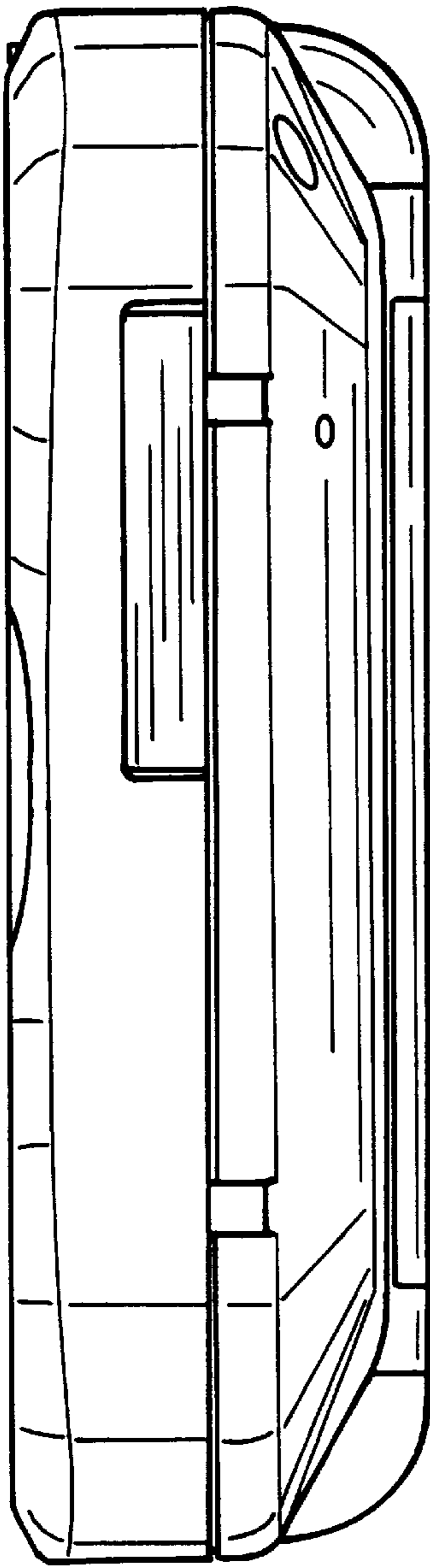


FIG. 5

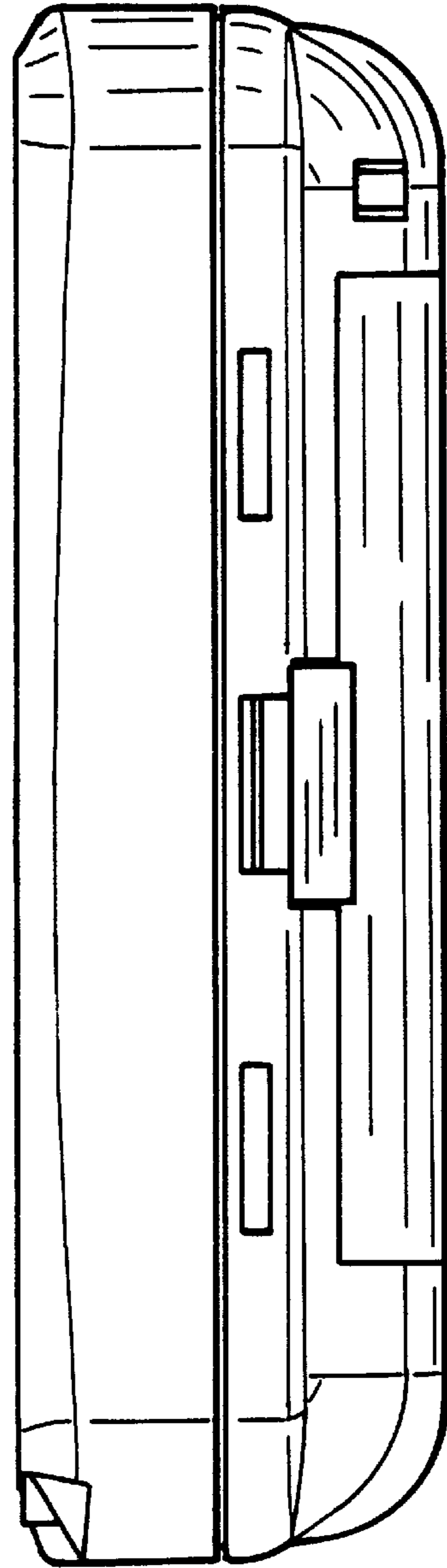


FIG. 6

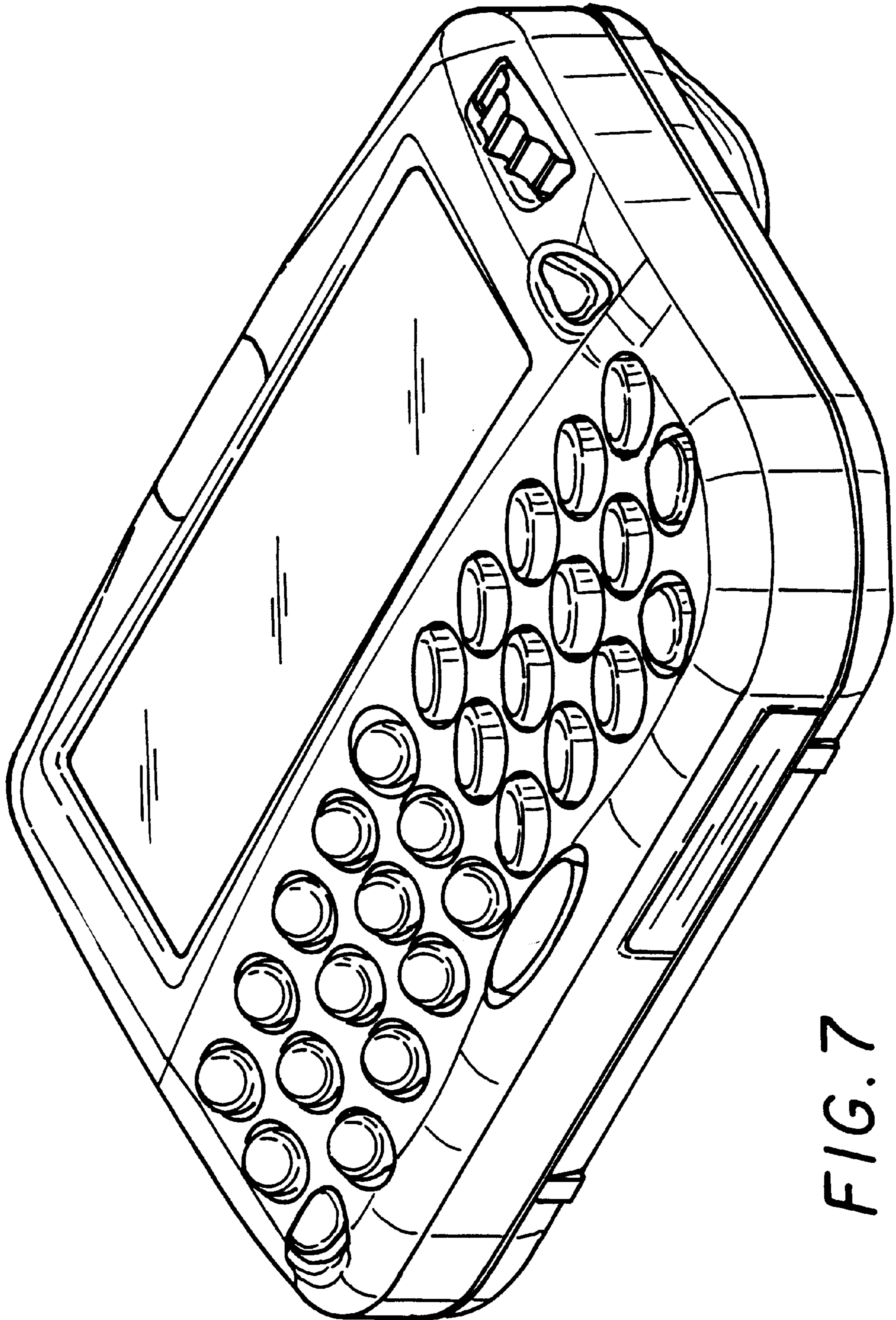


FIG. 7

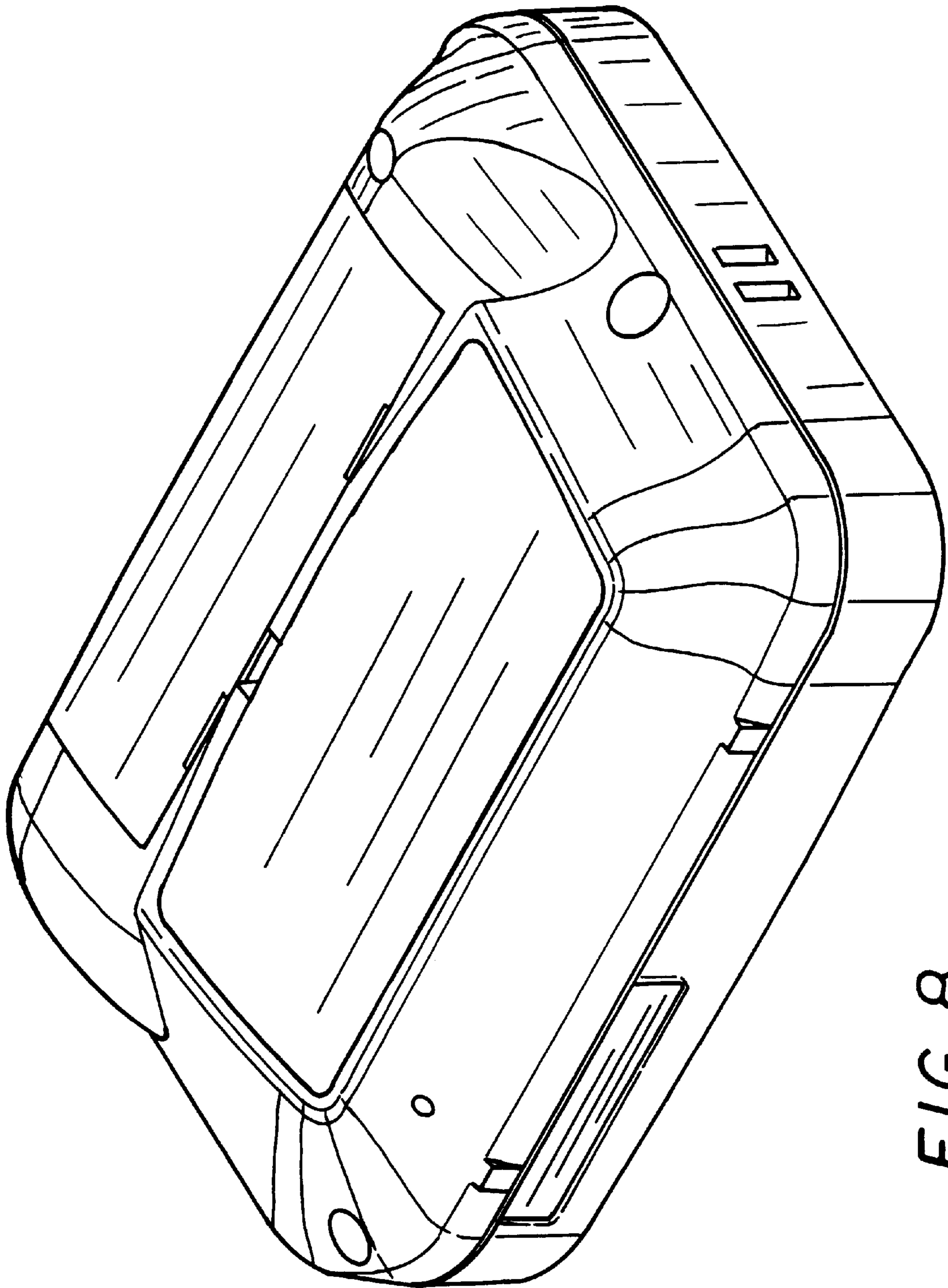


FIG. 8

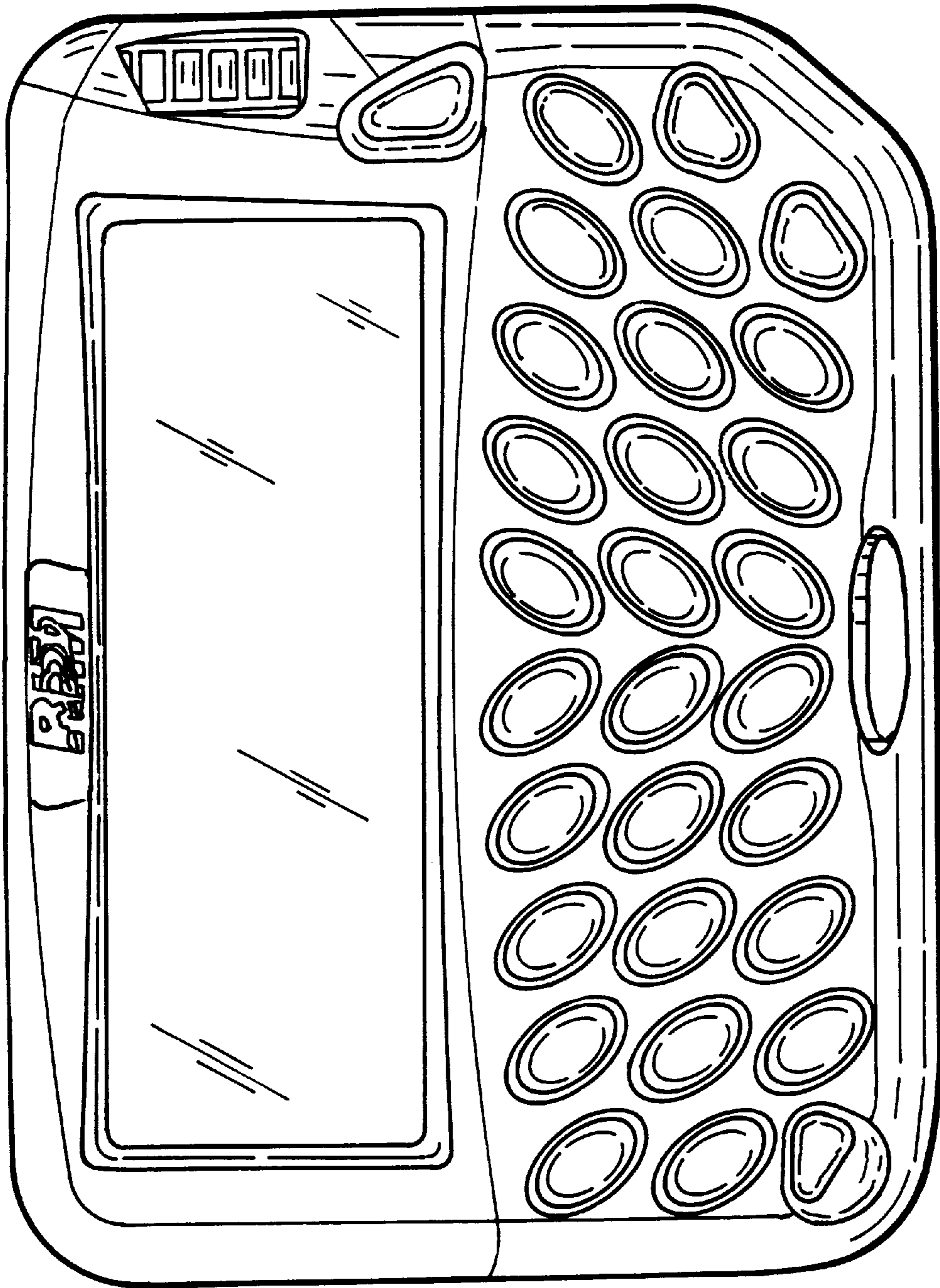


FIG. 9

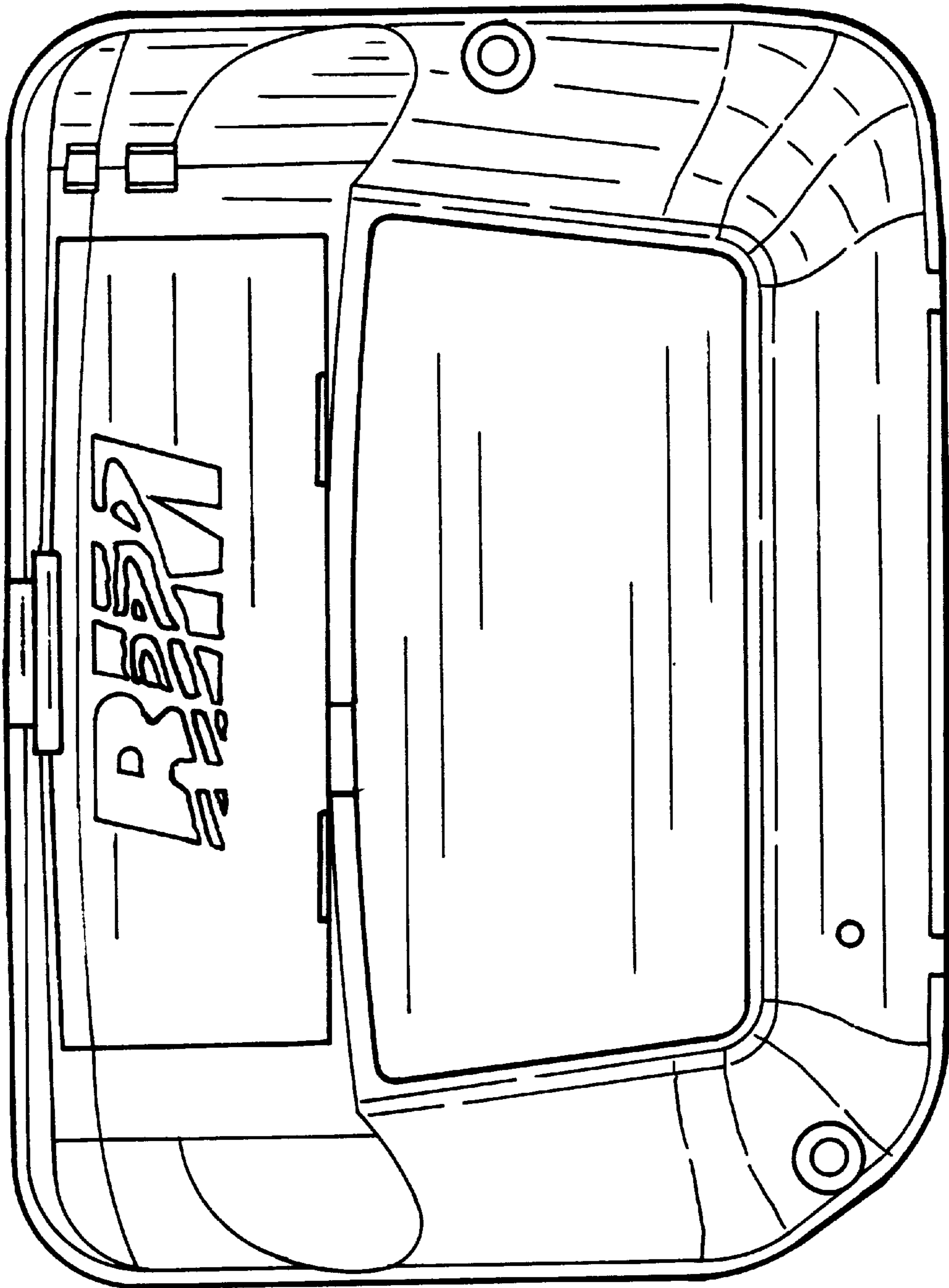


FIG. 10

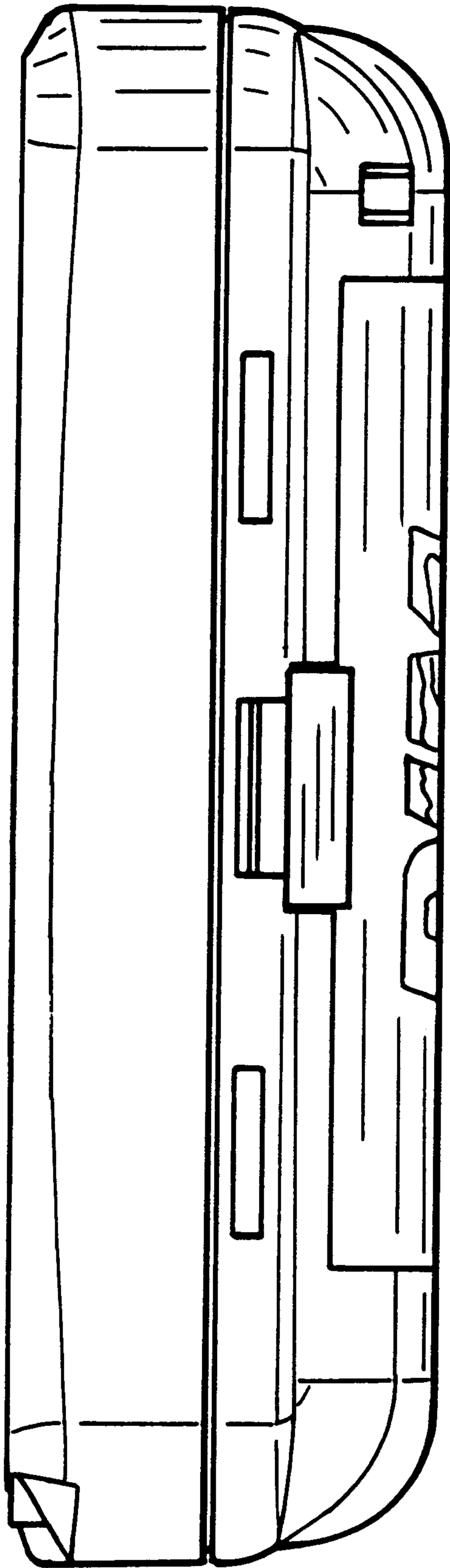


FIG. 11

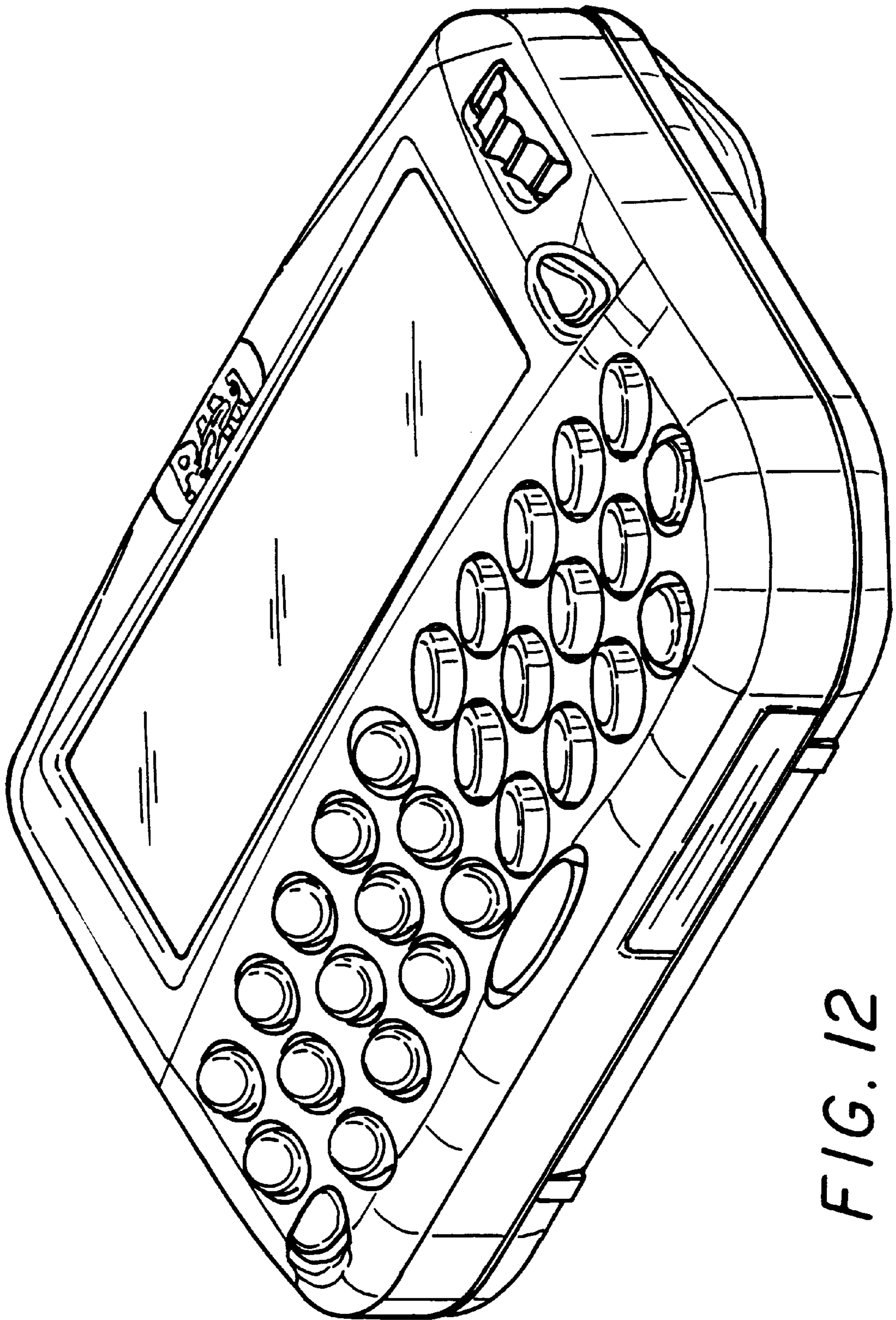


FIG. 12

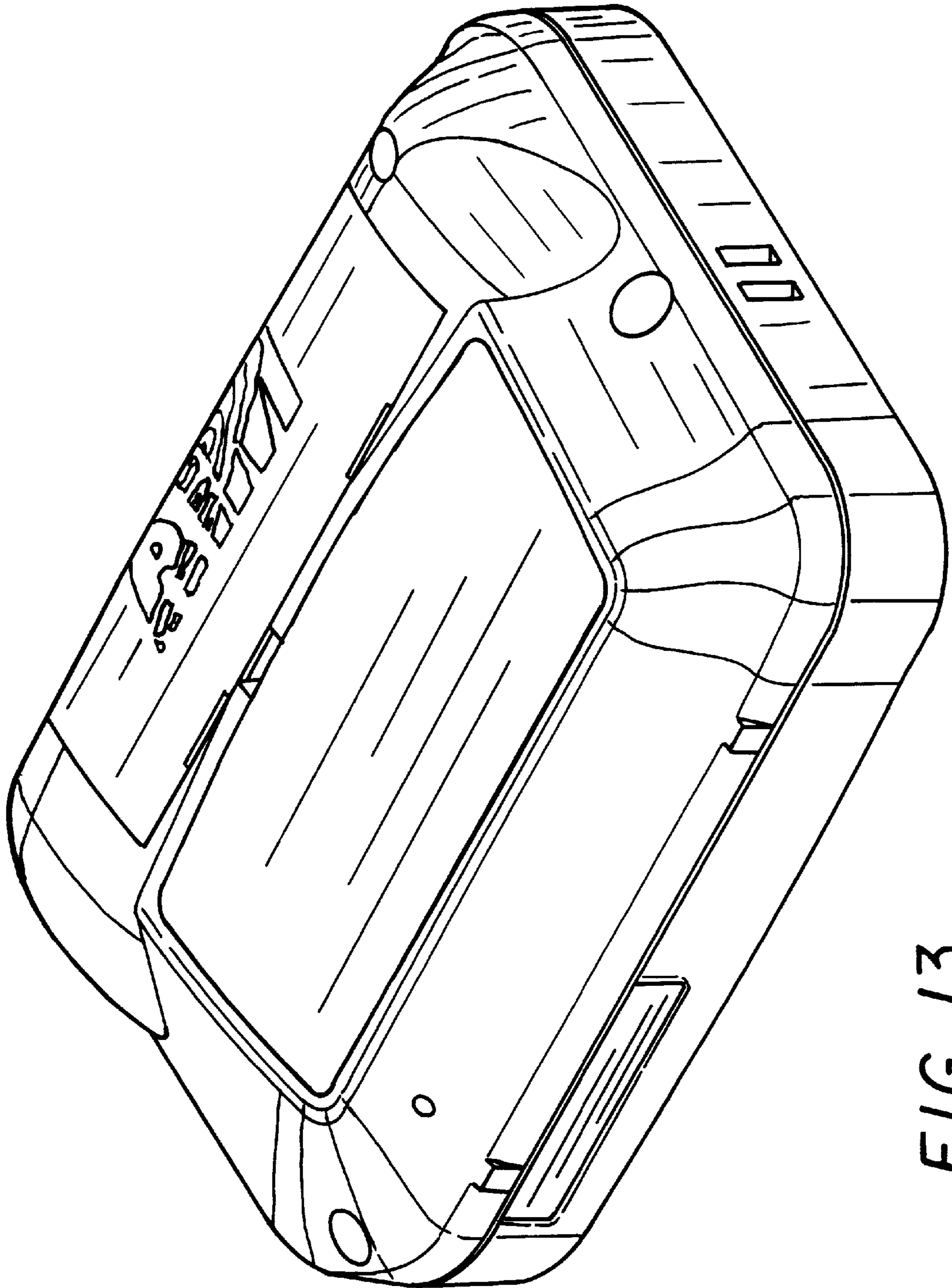


FIG. 13