



US00D416250S

# United States Patent [19]

**Shirasu et al.**

[11] **Patent Number: Des. 416,250**

[45] **Date of Patent: \*\* Nov. 9, 1999**

[54] **CONTROLLER FOR A VIDEO  
CONFERENCING SYSTEM**

[75] Inventors: **Noriyuki Shirasu; Kenji Honma**, both  
of Tokyo, Japan

[73] Assignee: **Mitsubishi Denki Kabushiki Kaisha**,  
Tokyo, Japan

[\*\*] Term: **14 Years**

[21] Appl. No.: **29/087,097**

[22] Filed: **Apr. 28, 1998**

[30] **Foreign Application Priority Data**

Nov. 11, 1997 [JP] Japan ..... 9-74553

[51] **LOC (6) Cl. .... 14-03**

[52] **U.S. Cl. .... D14/125**

[58] **Field of Search** ..... D14/114, 124-34,  
D14/217, 239, 218, 265; 348/13-20; 455/90;  
379/419, 428, 440

[56] **References Cited**

**U.S. PATENT DOCUMENTS**

D. 358,812 5/1995 Boyd ..... D14/125

D. 368,905 4/1996 Otani ..... D14/125  
D. 386,174 11/1997 Boyd et al. .... D14/125  
D. 390,217 2/1998 Prstojevich et al. .... D14/125  
D. 398,920 9/1998 Yen ..... D14/125  
D. 400,208 10/1998 Fenner ..... D14/125

*Primary Examiner*—M. H. Tung  
*Attorney, Agent, or Firm*—Oblon, Spivak, McClelland,  
Maier & Neustadt, P.C.

[57] **CLAIM**

The ornamental design for a controller for a video conferencing system, as shown.

**DESCRIPTION**

FIG. 1 is a front elevational view of a controller for a video conferencing system, showing our new design;  
FIG. 2 is a top plan view thereof;  
FIG. 3 is a rear elevational view thereof;  
FIG. 4 is a bottom plan view thereof;  
FIG. 5 is a right side elevational view thereof;  
FIG. 6 is a left side elevational view thereof;  
FIG. 7 is a cross-sectional view thereof, taken along line 7—7 in FIG. 1, with the internal system omitted; and,  
FIG. 8 is a front, top and right side perspective view thereof.

**1 Claim, 4 Drawing Sheets**

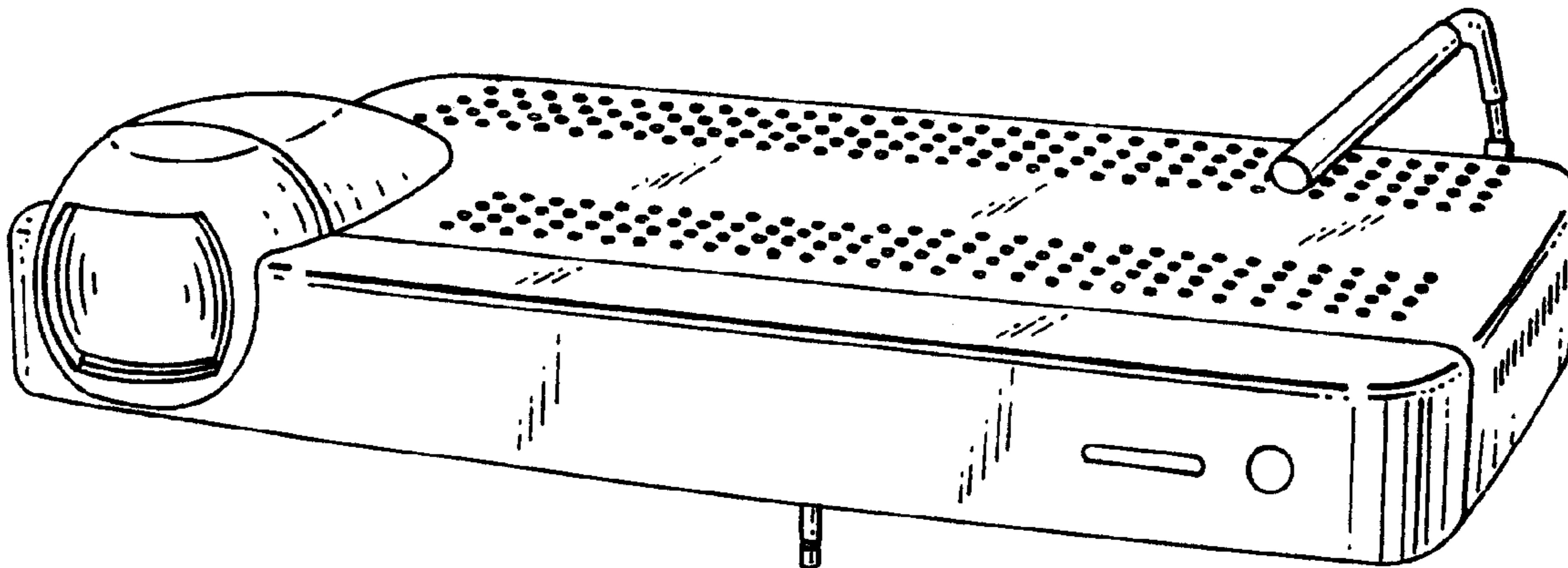


FIG. 1

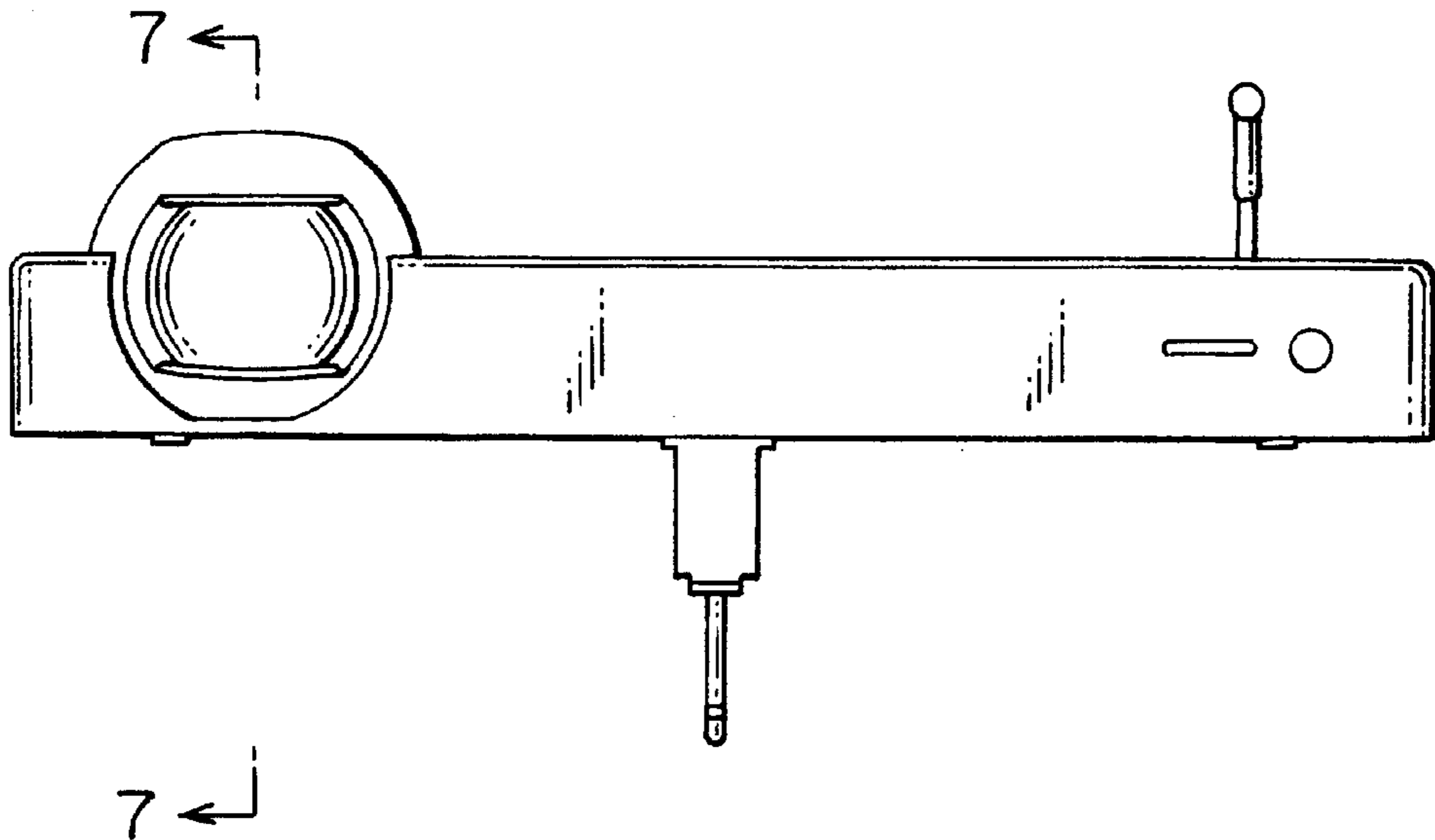


FIG. 2

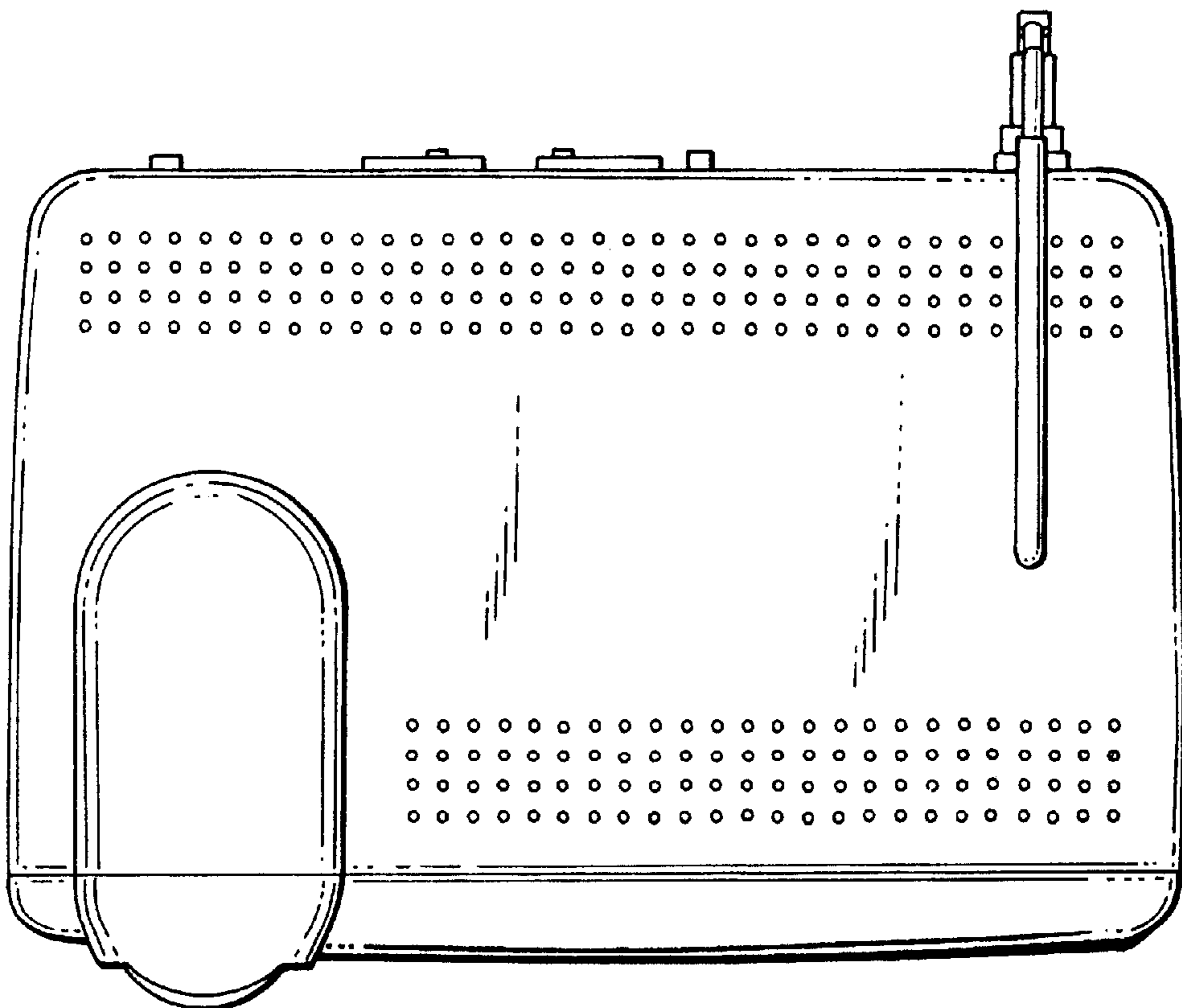


FIG. 3

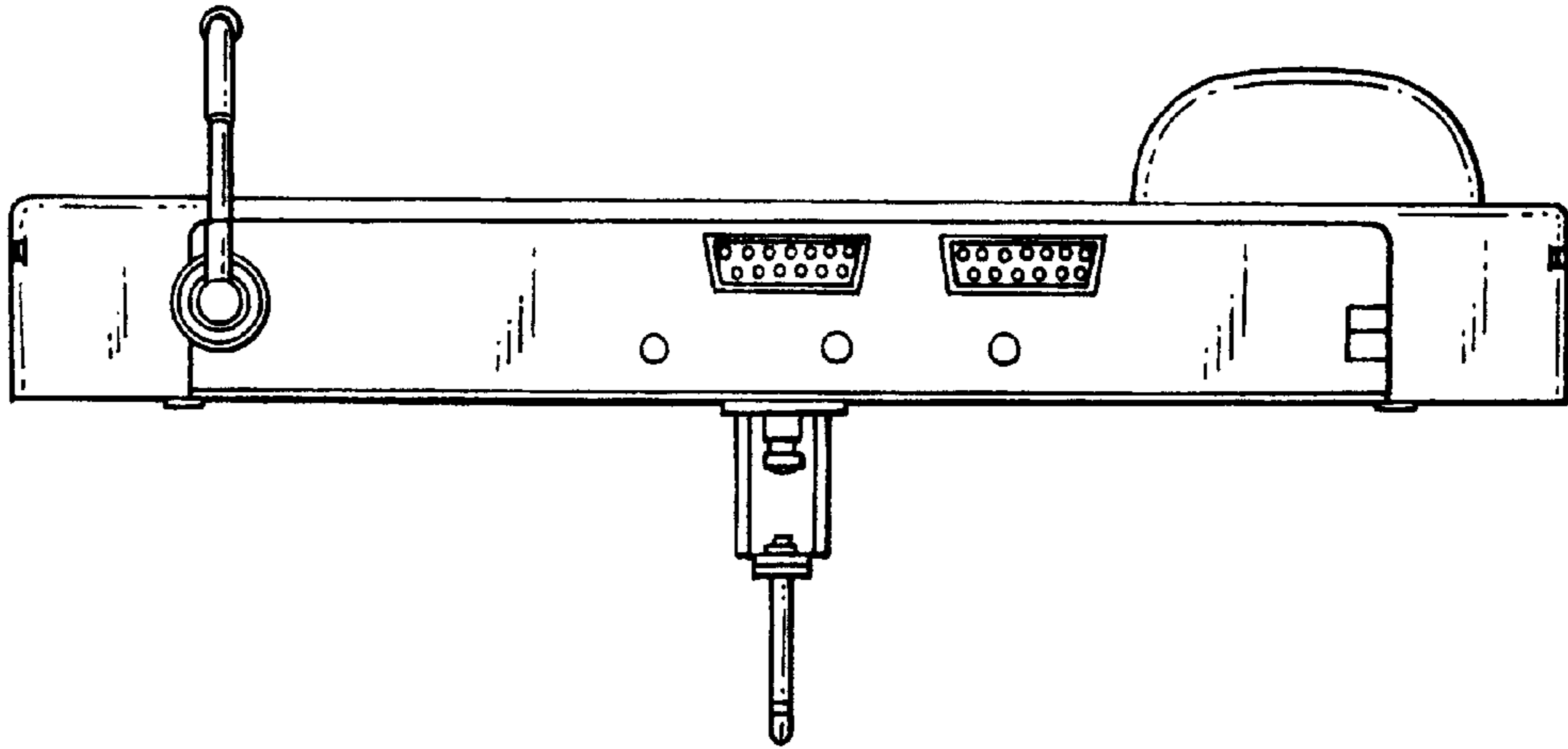


FIG. 4

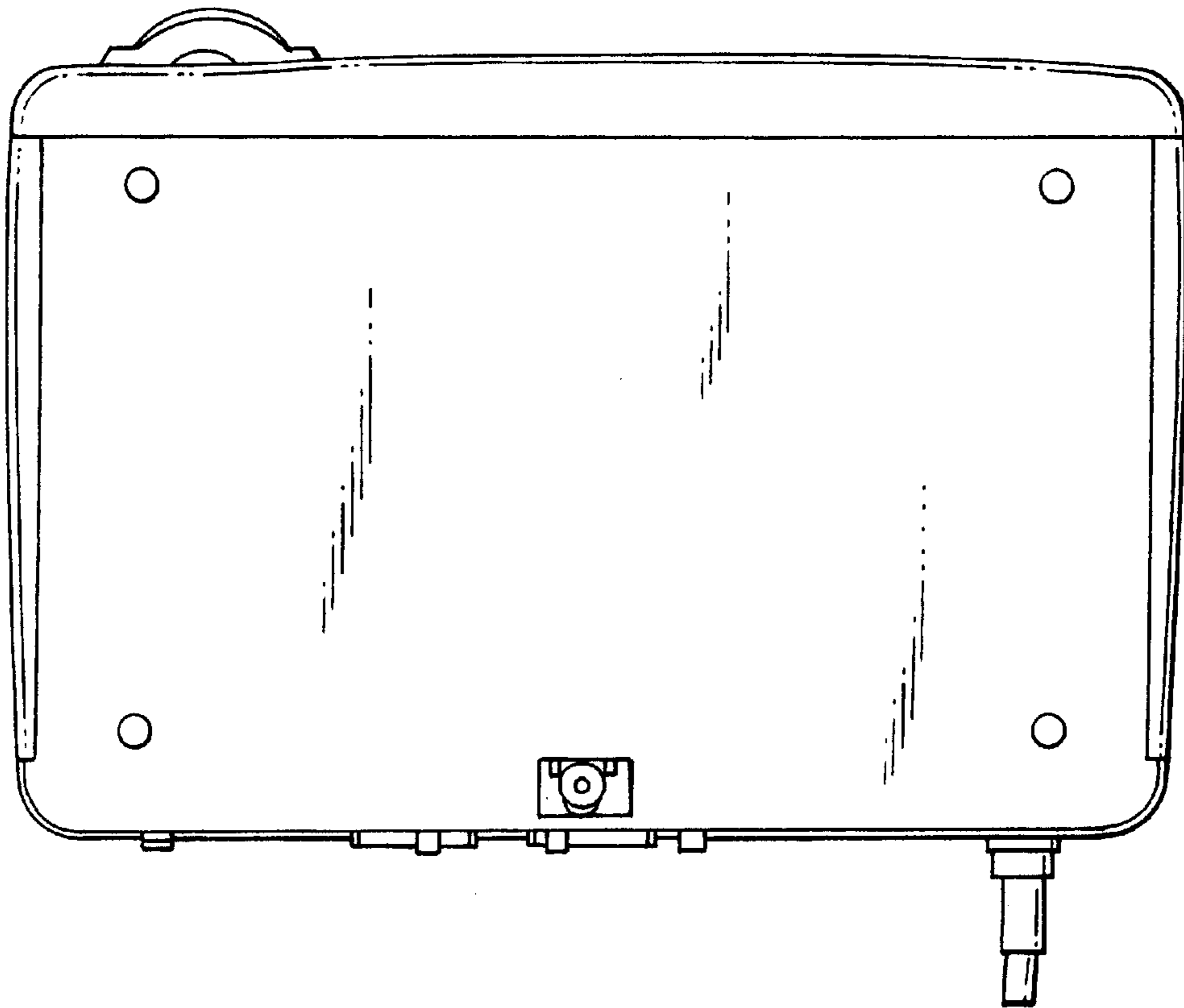


FIG. 5

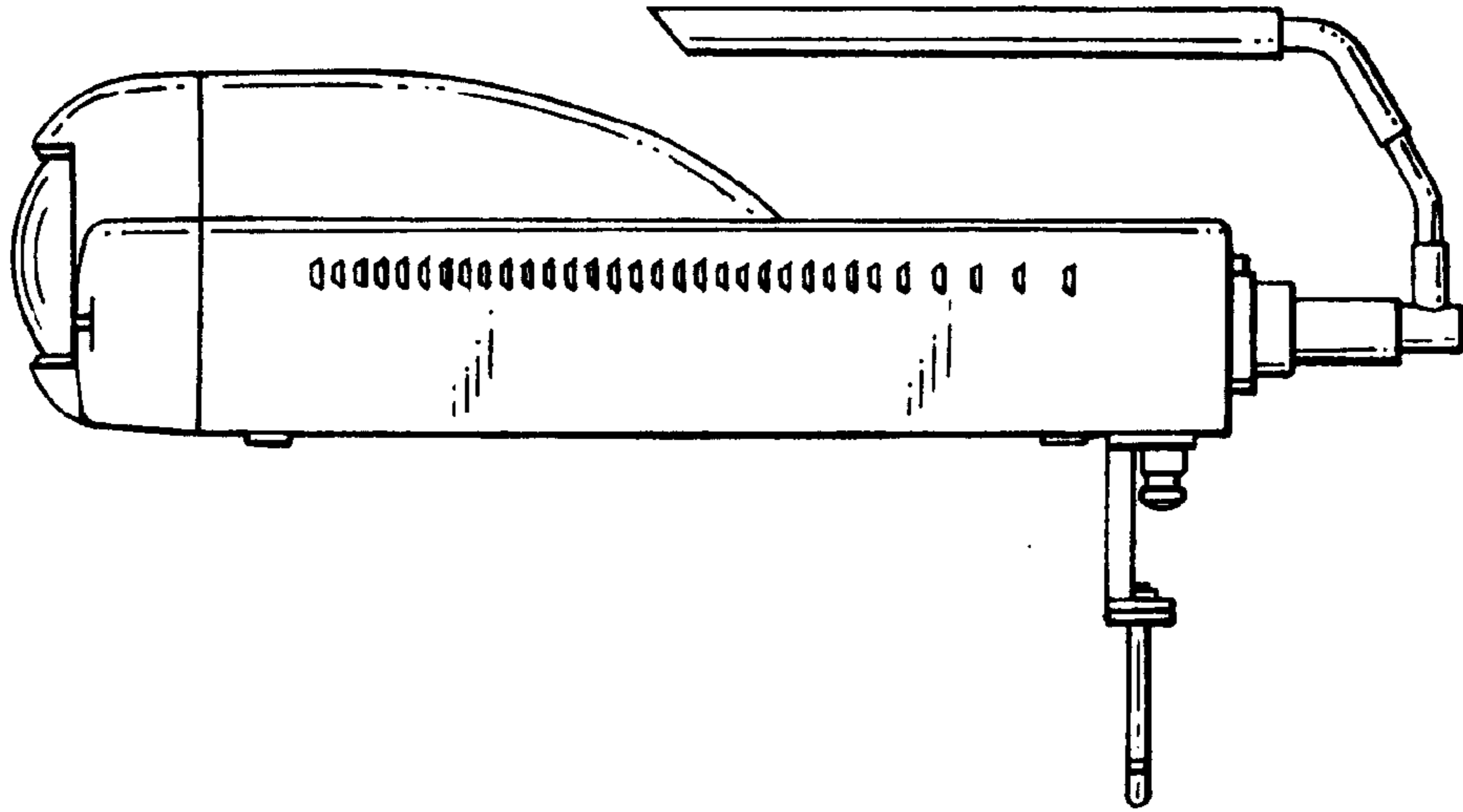


FIG. 6

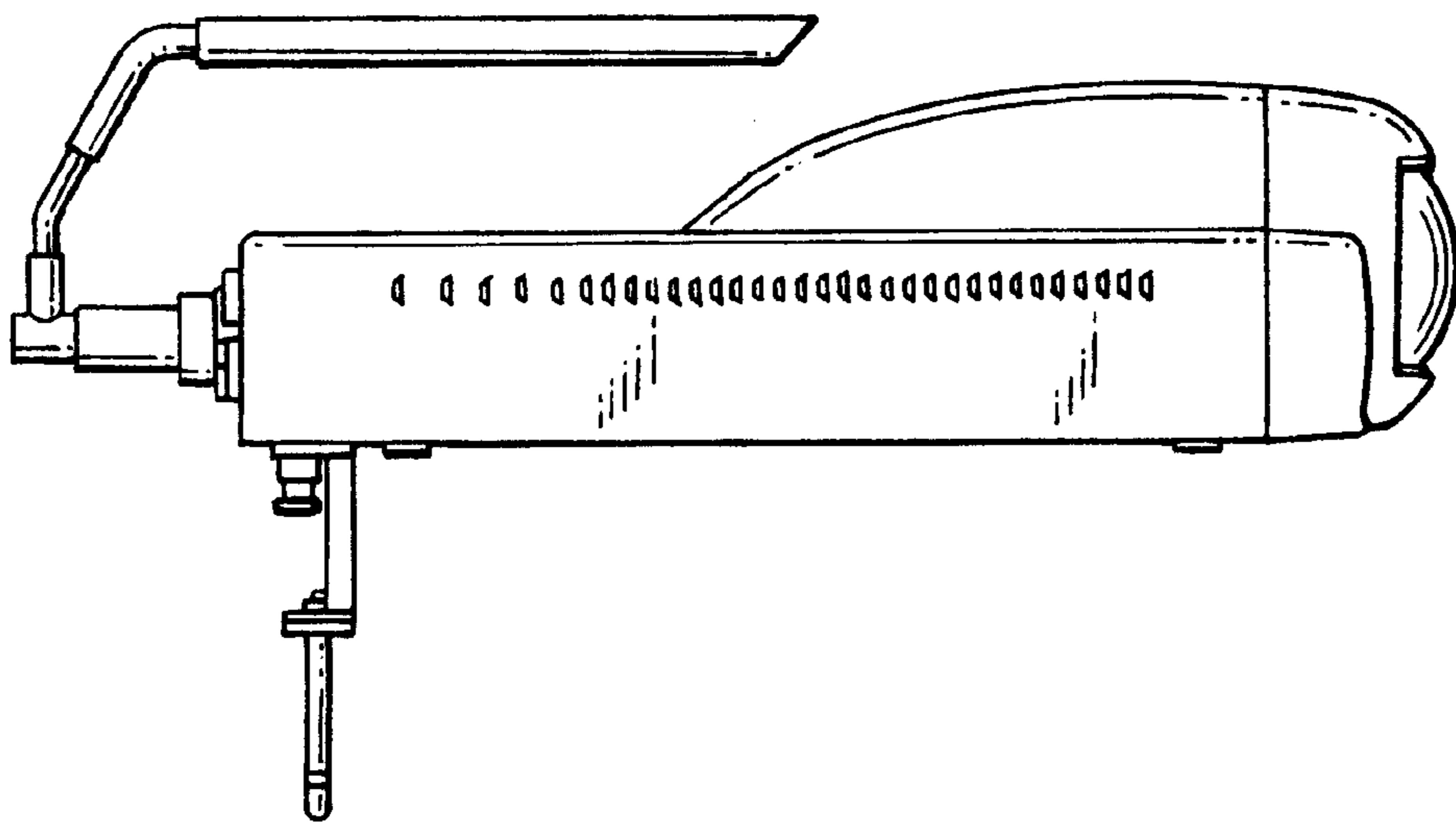


FIG. 7

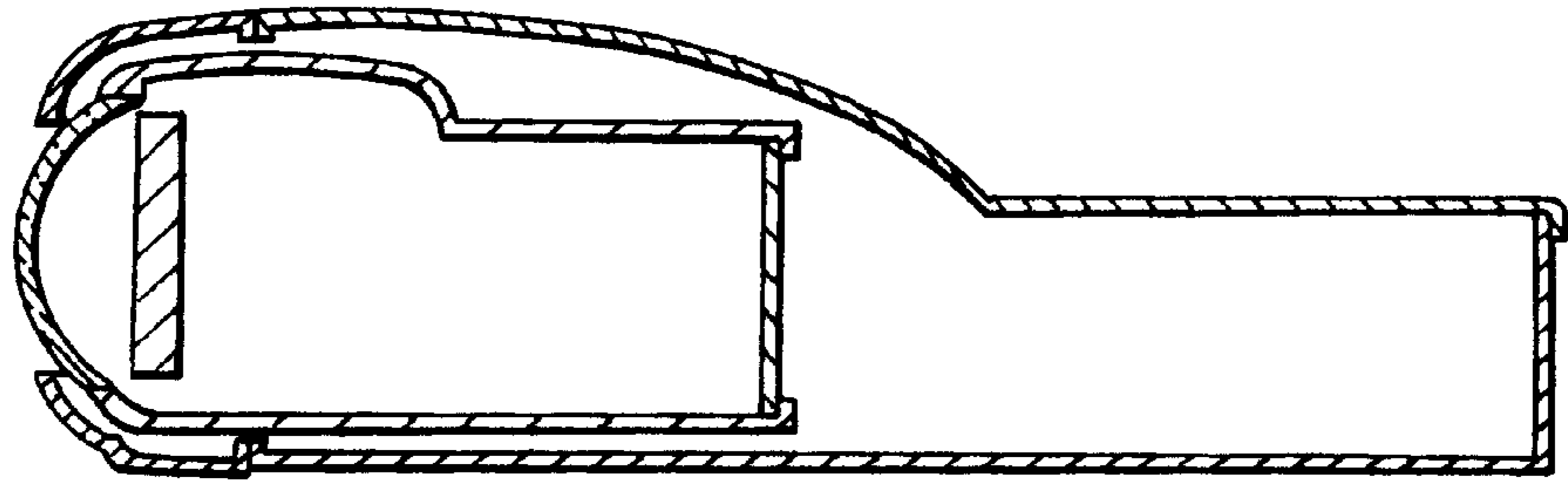


FIG. 8

