



US00D416248S

United States Patent [19]
Blank

[11] **Patent Number: Des. 416,248**

[45] **Date of Patent: ** Nov. 9, 1999**

[54] **COMPUTER MOUSE OPERATING BUTTONS**

[76] Inventor: **Paul J. Blank**, 337 Vesta Ct.,
Ridgewood, N.J. 07450

[**] Term: **14 Years**

[21] Appl. No.: **29/088,255**

[22] Filed: **May 19, 1998**

[51] **LOC (6) Cl.** **14-02**

[52] **U.S. Cl.** **D14/117.3**

[58] **Field of Search** D14/114, 117.1,
D14/117.2, 117.3; D21/333; 345/156-167

[56] **References Cited**

U.S. PATENT DOCUMENTS

D. 282,736	2/1986	Brown	D14/53
D. 343,392	1/1994	Harden et al.	D14/114
D. 375,484	11/1996	Leifer	D14/114
D. 377,933	2/1997	Harrison et al.	D14/114
D. 378,516	3/1997	Smith et al.	D14/114
D. 381,014	7/1997	Kraus et al.	D14/114
D. 382,550	8/1997	Kaneko et al.	D14/114
D. 387,338	12/1997	Leifer	D14/114
D. 387,748	12/1997	Martella	D14/114

Primary Examiner—Kay H. Chin

Attorney, Agent, or Firm—Schweitzer Cornman Gross &
Bondell LLP

[57] **CLAIM**

The ornamental design for a computer mouse operating buttons, as shown and described.

DESCRIPTION

FIG. 1 is a top perspective view of a computer mouse operating buttons showing my new design. The broken lines are for illustrative purposes only and form no part of the claimed design;

FIG. 2 is a side elevational view thereof, the opposite side view being a mirror image of that shown;

FIG. 3 is a top plan view thereof;

FIG. 4 is a rear elevational view thereof;

FIG. 5 is a front elevational view thereof;

FIG. 6 is a top perspective view of a second embodiment of the computer mouse operating buttons;

FIG. 7 is a side elevational view of FIG. 6, the opposite side view being a mirror image of that shown;

FIG. 8 is a top plan view of FIG. 6;

FIG. 9 is a rear elevational view of FIG. 6; and,

FIG. 10 is a front elevational view of FIG. 6.

FIG. 11 is a top perspective view of a third embodiment of the computer mouse operating buttons;

FIG. 12 is a side elevational view of FIG. 11, the opposite side view being a mirror image of that shown;

FIG. 13 is a top plan view of FIG. 11;

FIG. 14 is a rear elevational view of FIG. 11; and,

FIG. 15 is a front elevational view of FIG. 11.

1 Claim, 6 Drawing Sheets

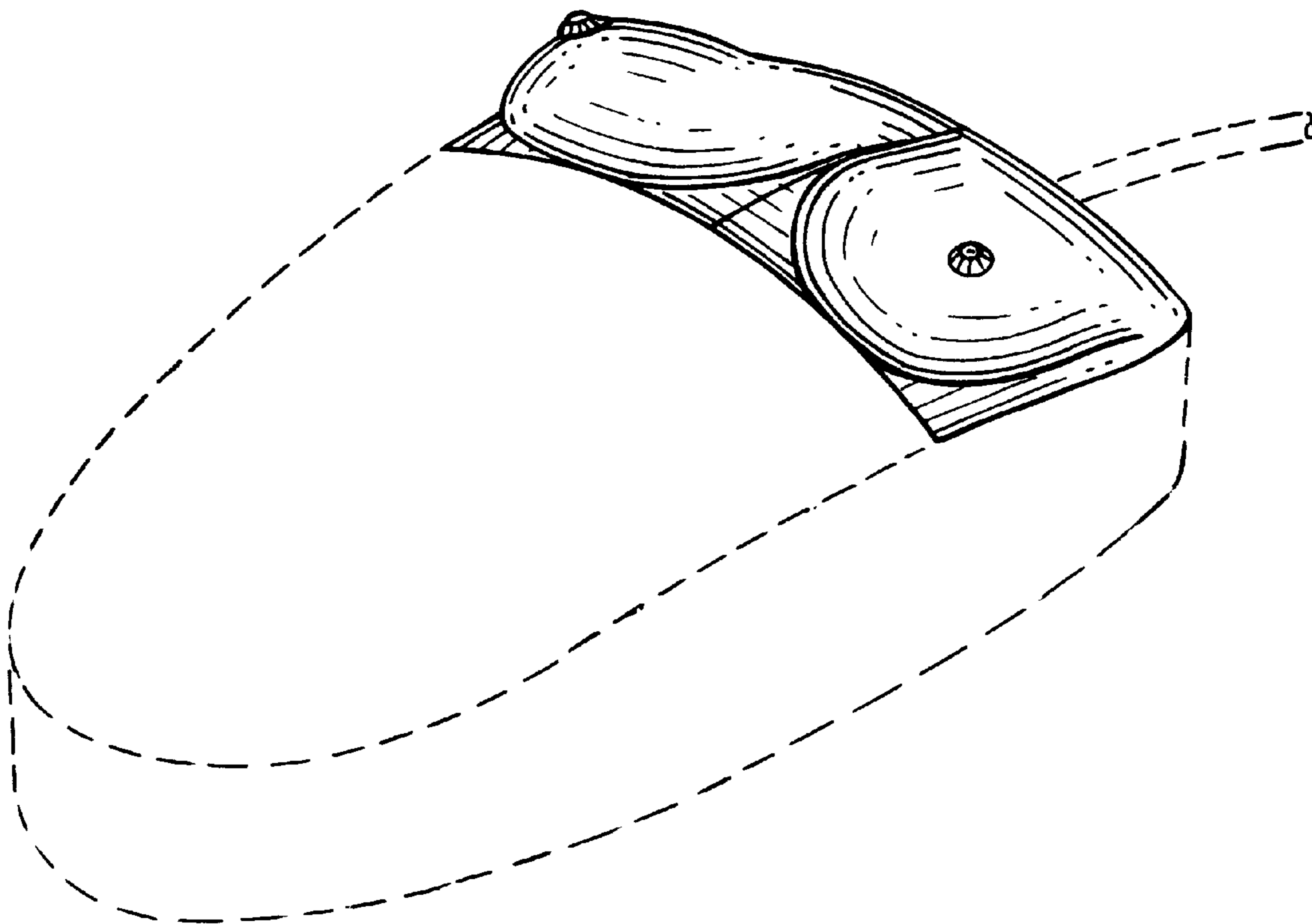


FIG. 1

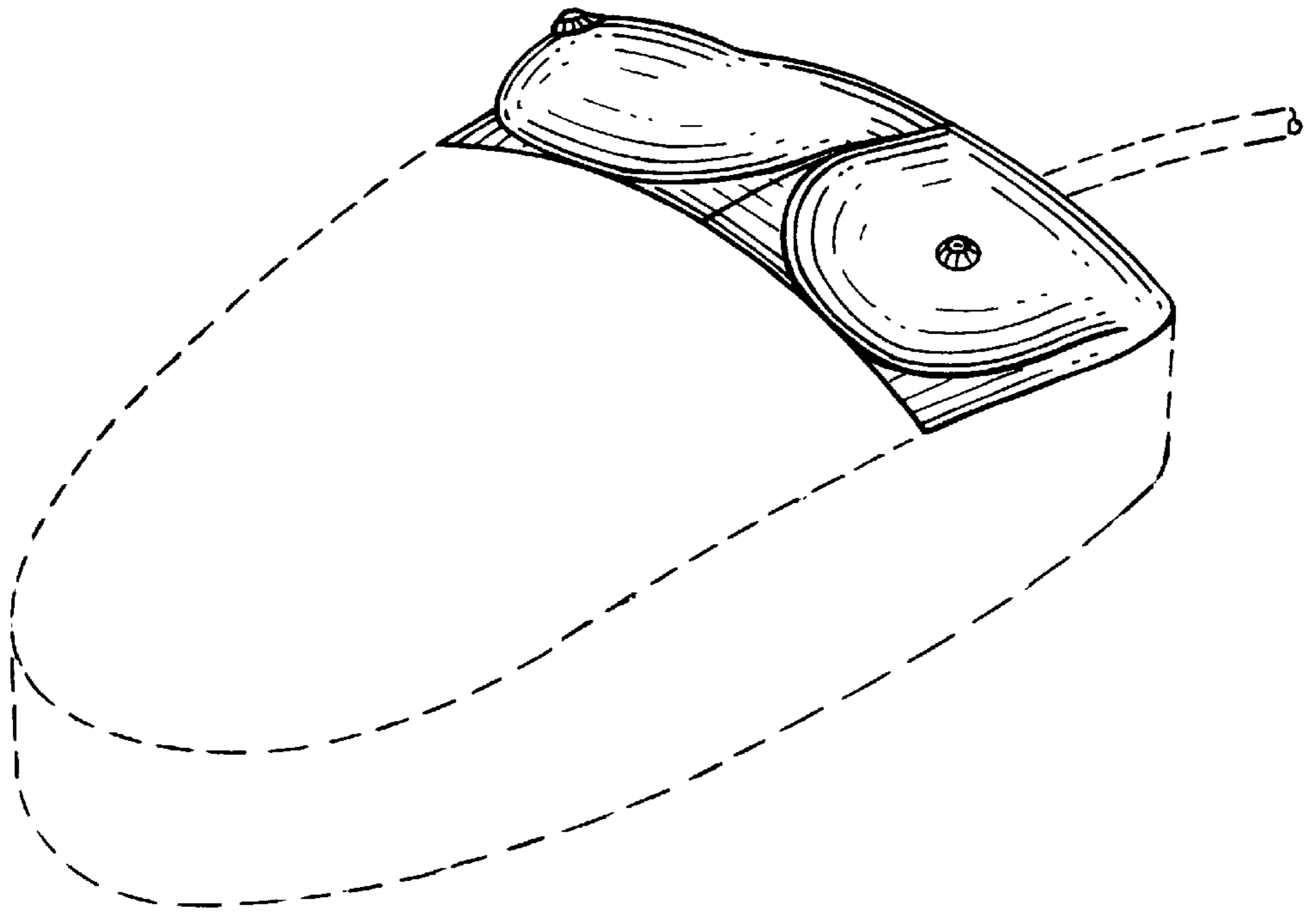


FIG. 2

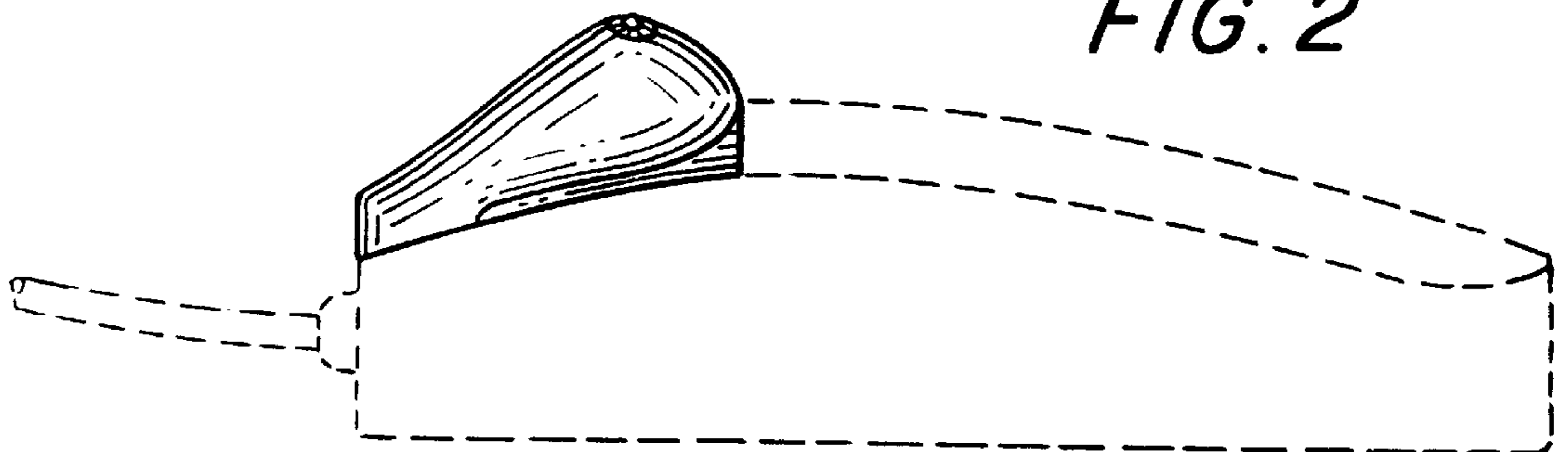


FIG. 3

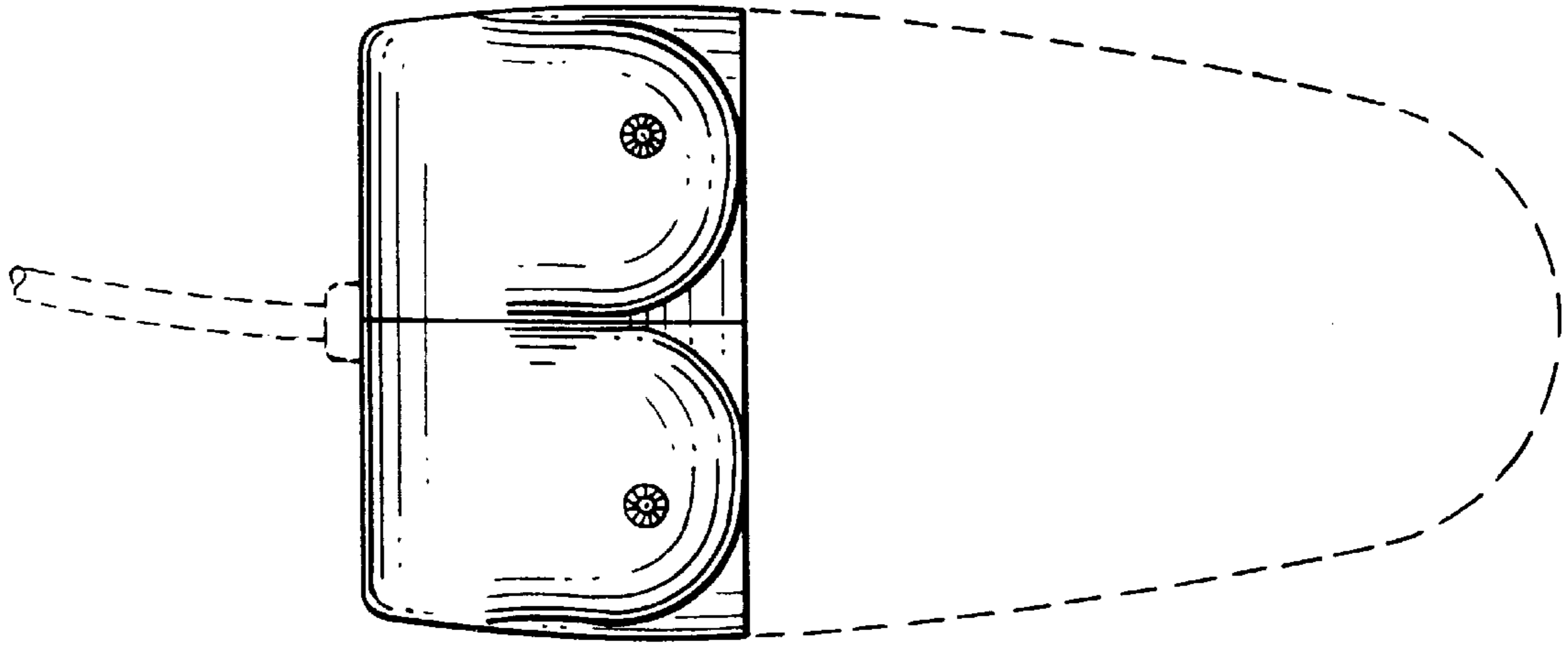


FIG. 4

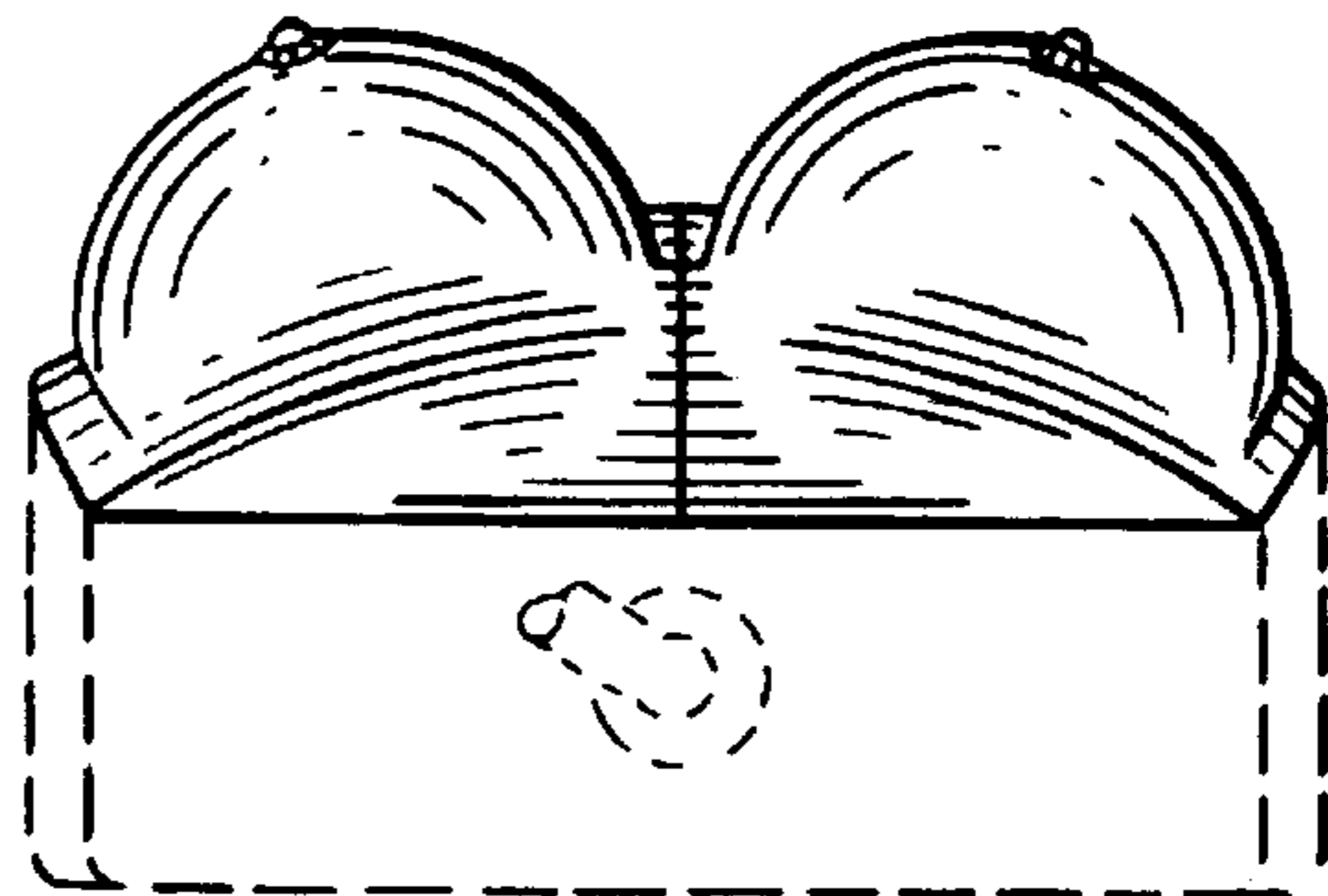


FIG. 5

FIG. 6

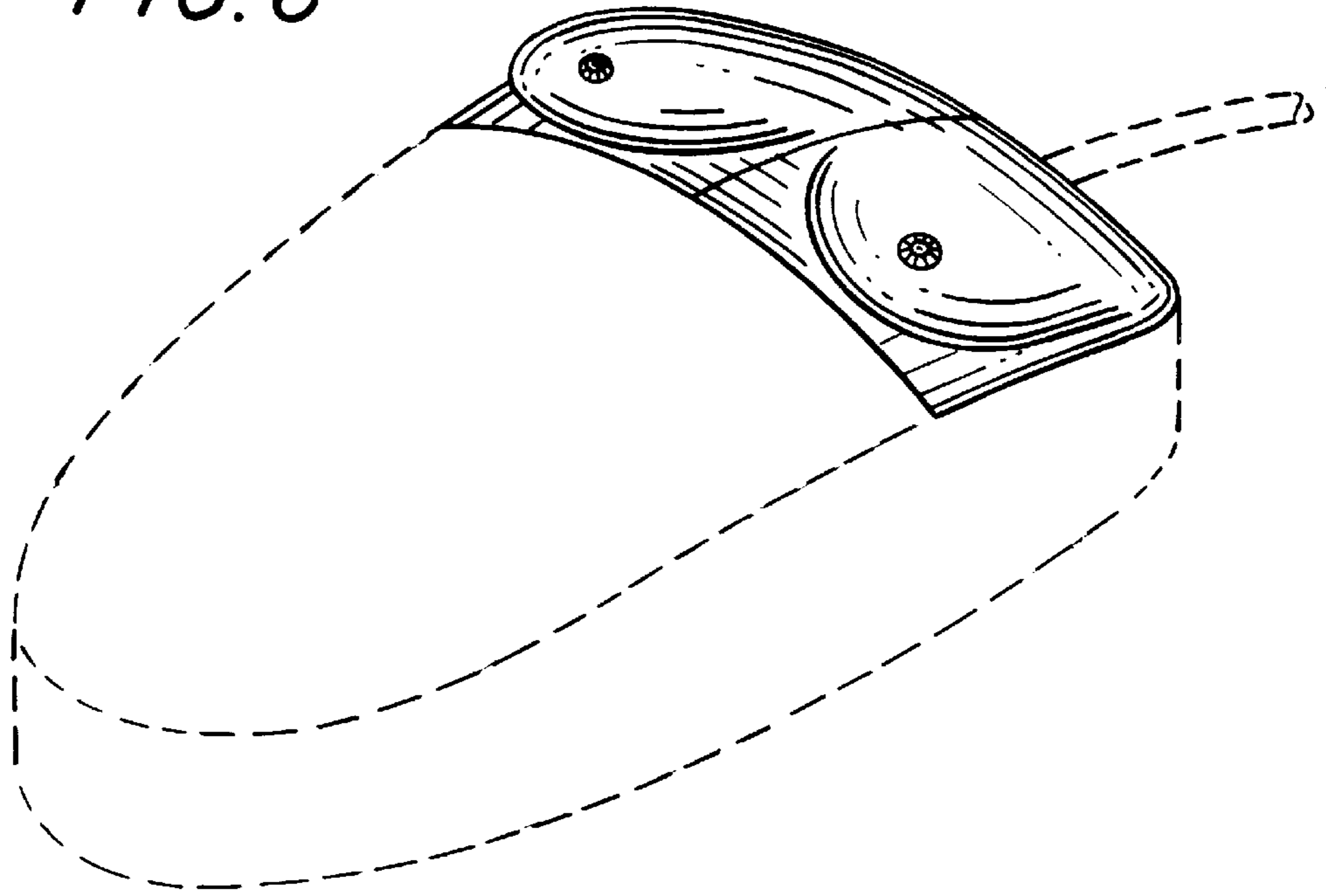


FIG. 7

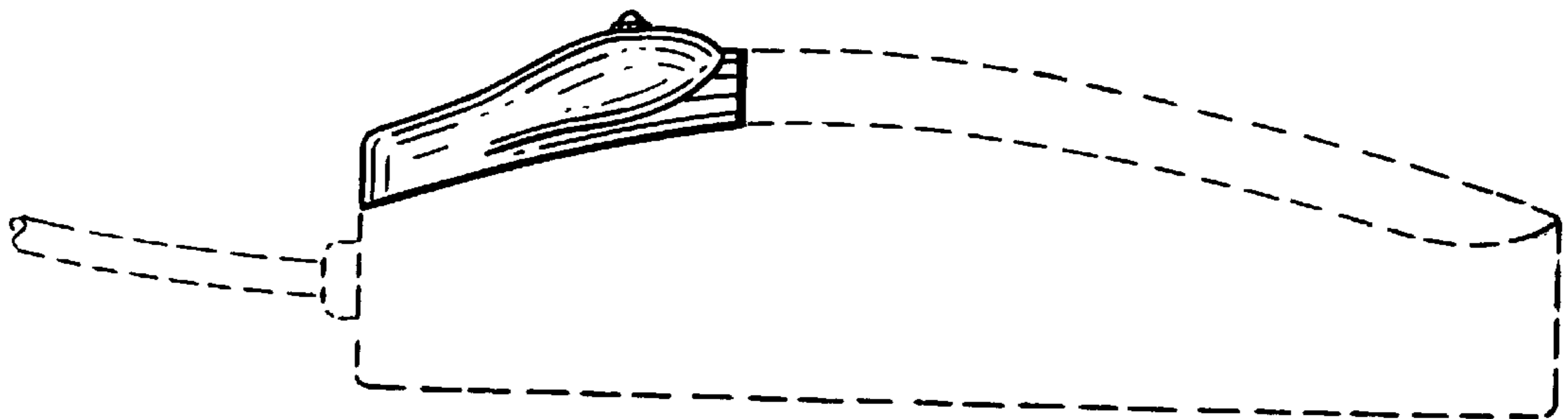


FIG. 8

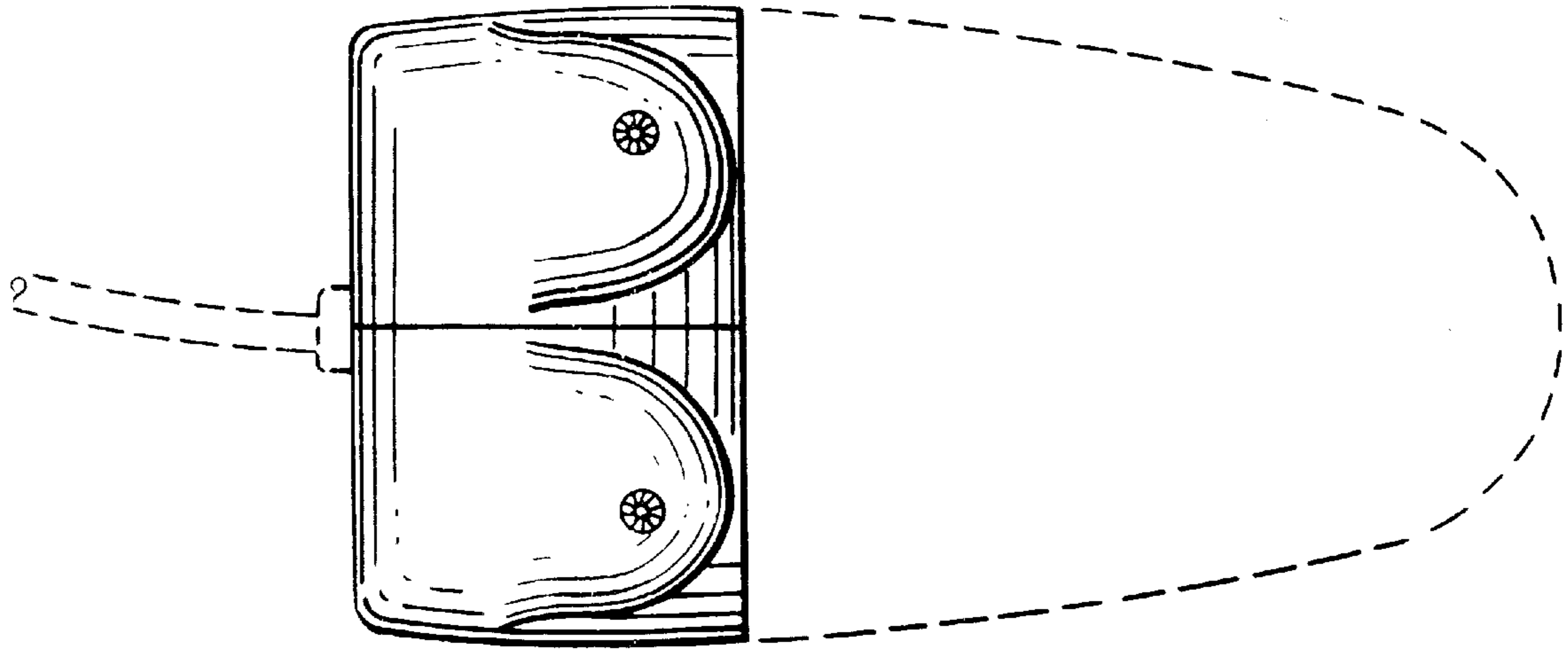


FIG. 9

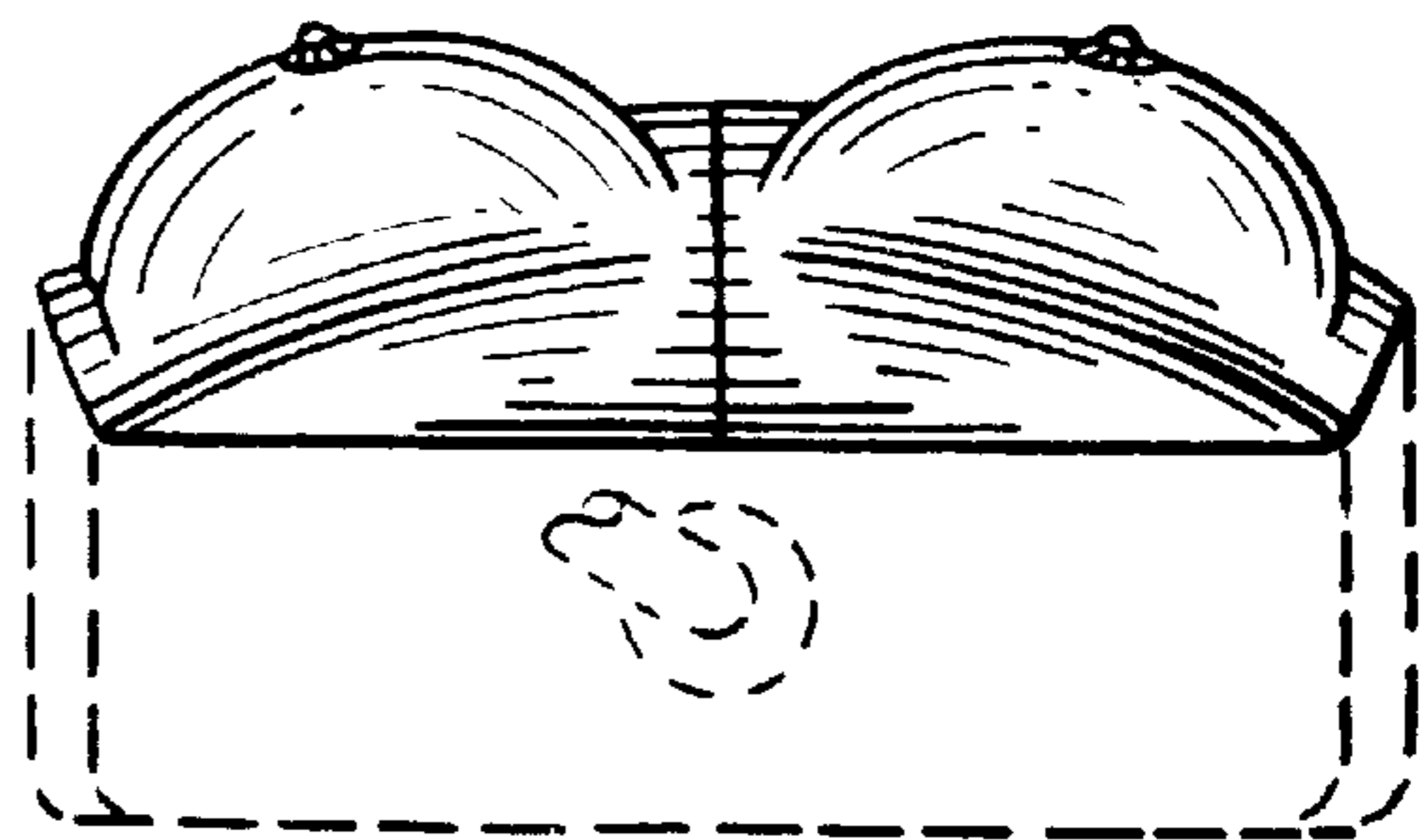


FIG. 10

FIG. 11

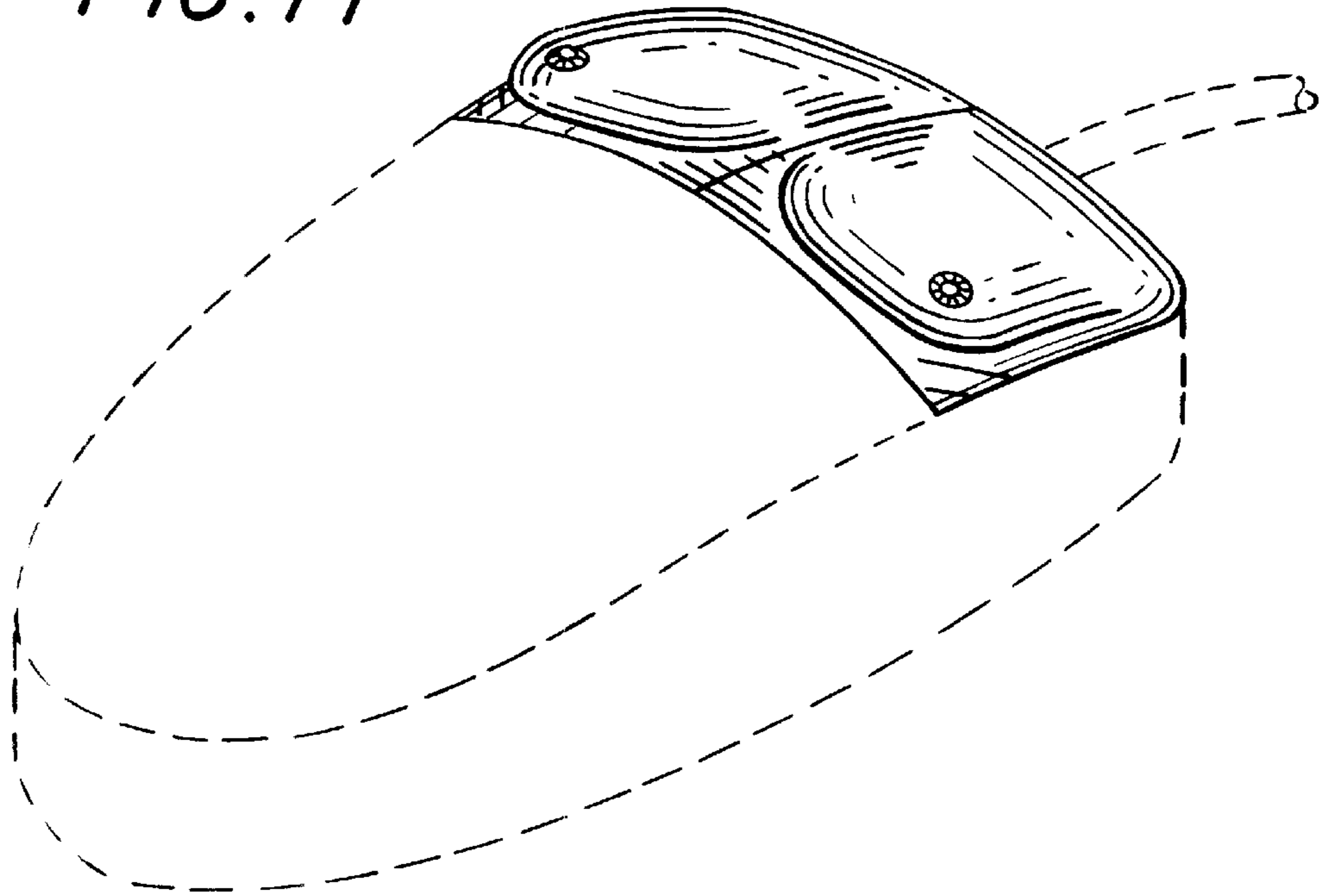


FIG. 12

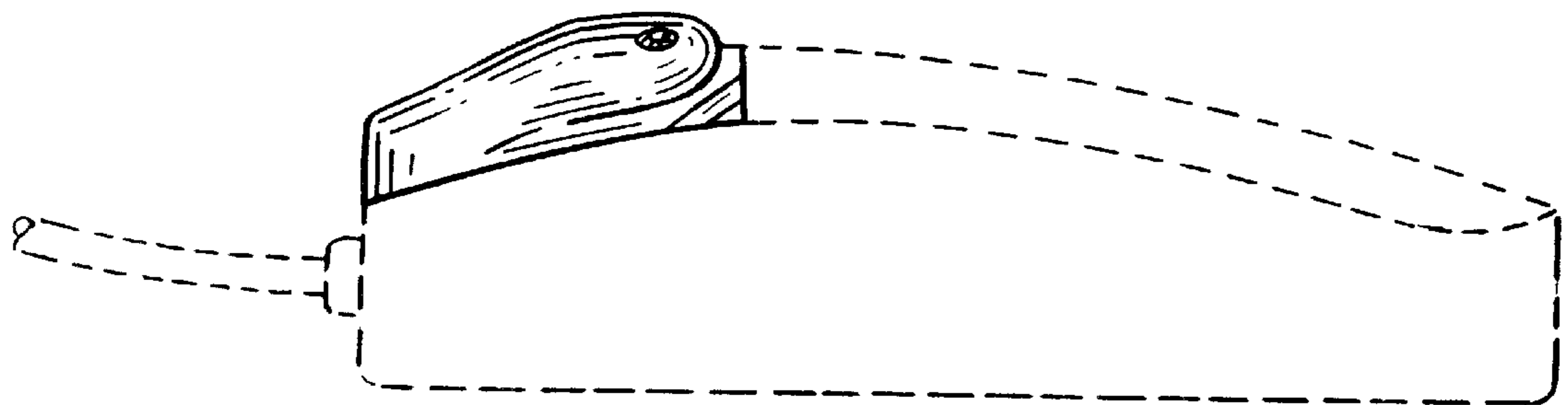


FIG. 13

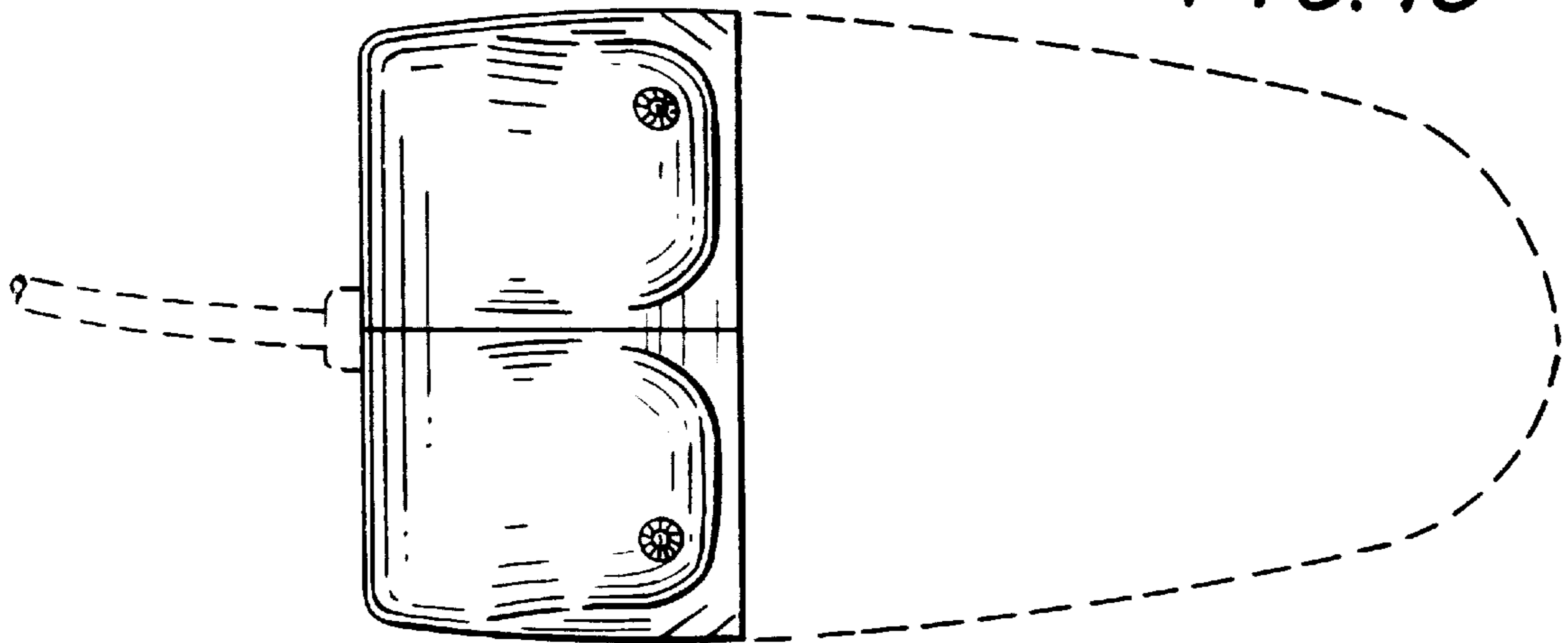


FIG. 14

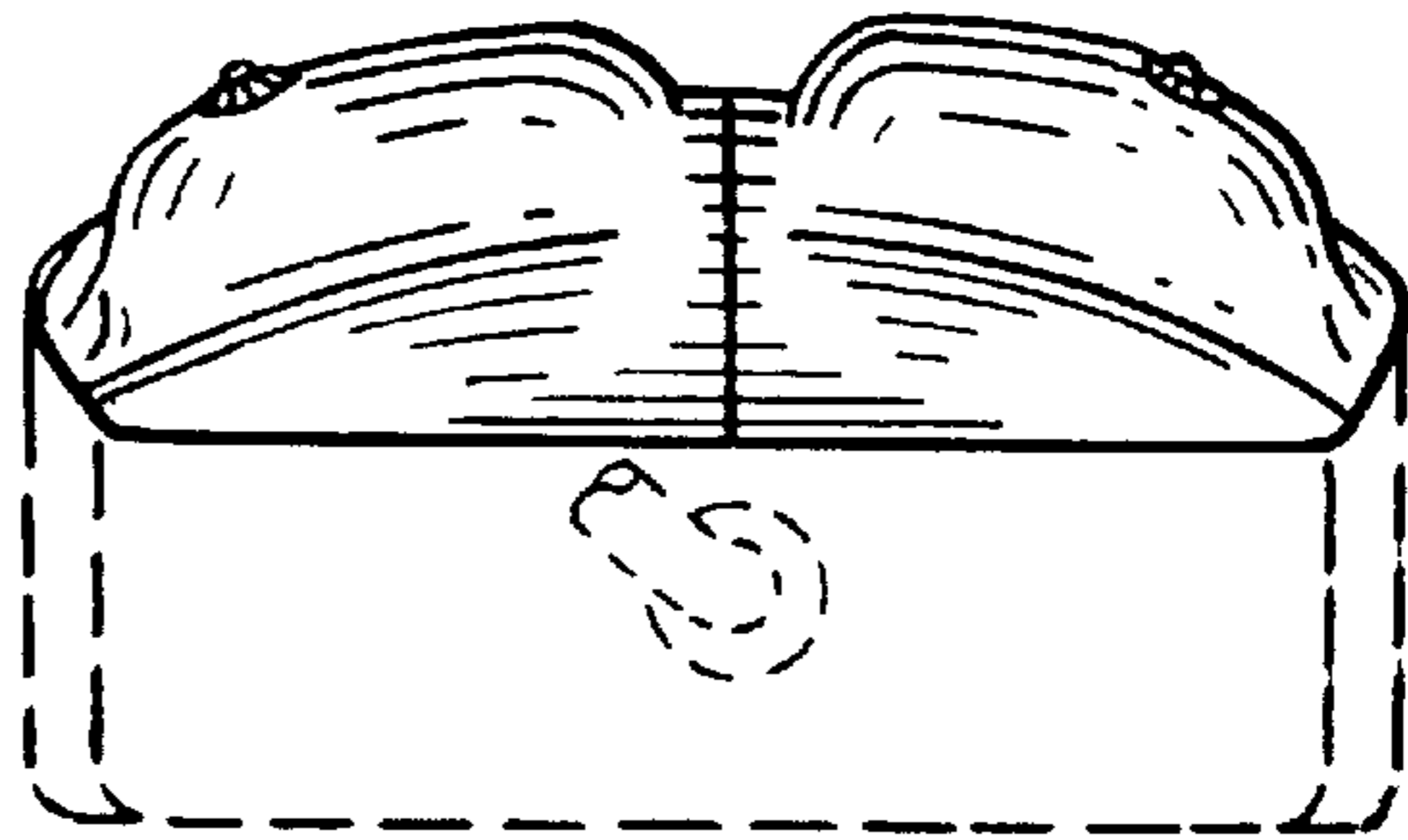


FIG. 15

