



US00D416239S

United States Patent [19]

Nagase

[11] Patent Number: Des. 416,239

[45] Date of Patent: ** Nov. 9, 1999

[54] ARITHMETIC OPERATION CONTROL MACHINE FOR AN ELECTRONIC COMPUTER

[75] Inventor: Koji Nagase, Hachioji, Japan

[73] Assignee: Kabushiki Kaisha Toshiba, Kawasaki, Japan

[**] Term: 14 Years

[21] Appl. No.: 29/098,540

[22] Filed: Dec. 30, 1998

[30] Foreign Application Priority Data

Aug. 25, 1998 [JP] Japan 10-24157

[51] LOC (6) Cl. 14-02

[52] U.S. Cl. D14/107

[58] Field of Search D14/100, 102, D14/107-109; D6/432, 436, 445, 448; D13/162, 184, 199; 312/223.3; 360/99.12; 361/690-696; 369/34, 36

[56] References Cited

U.S. PATENT DOCUMENTS

- D. 293,111 12/1987 Nezu D14/102
- D. 391,925 3/1998 Wong et al. D14/100
- D. 396,216 7/1998 Chen et al. D14/100

FOREIGN PATENT DOCUMENTS

- M 93 08 432 5/1994 Germany .
- 919050 2/1995 Japan .

Primary Examiner—Freda Nunn
Attorney, Agent, or Firm—Oblon, Spivak, McClelland, Maier & Neustadt, P.C.

[57] CLAIM

The ornamental design for an arithmetic operation control machine for an electronic computer, as shown and described.

DESCRIPTION

FIG. 1 is a front, top and right side perspective view of an arithmetic operation control machine for an electronic computer, showing my new design;

FIG. 2 is a front elevational view thereof;

FIG. 3 is a right side elevational view thereof;

FIG. 4 is a rear elevational view thereof;

FIG. 5 is a left side elevational view thereof;

FIG. 6 is a top plan view thereof;

FIG. 7 is a bottom plan view thereof;

FIG. 8 is a front elevational view thereof with a cover in an opened state;

FIG. 9 is a front, top and right side perspective view of a second embodiment of the arithmetic operation control machine for an electronic computer;

FIG. 10 is a front elevational view of thereof;

FIG. 11 is a right side elevational view thereof;

FIG. 12 is a rear elevational view thereof;

FIG. 13 is a left side elevational view thereof;

FIG. 14 is a top plan view thereof;

FIG. 15 is a bottom plan view thereof; and,

FIG. 16 is a front elevational view thereof with a cover in an opened state.

1 Claim, 4 Drawing Sheets

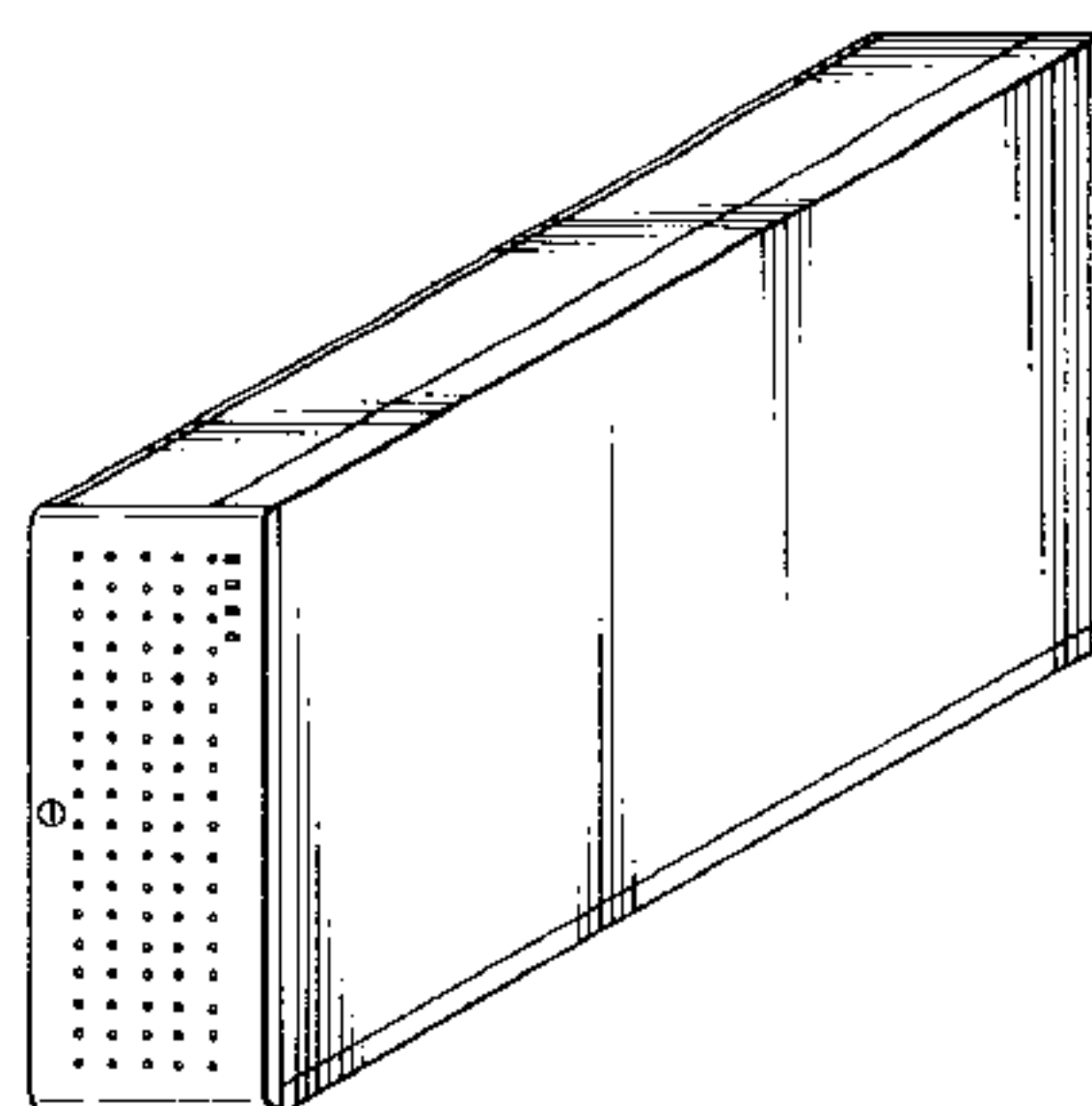
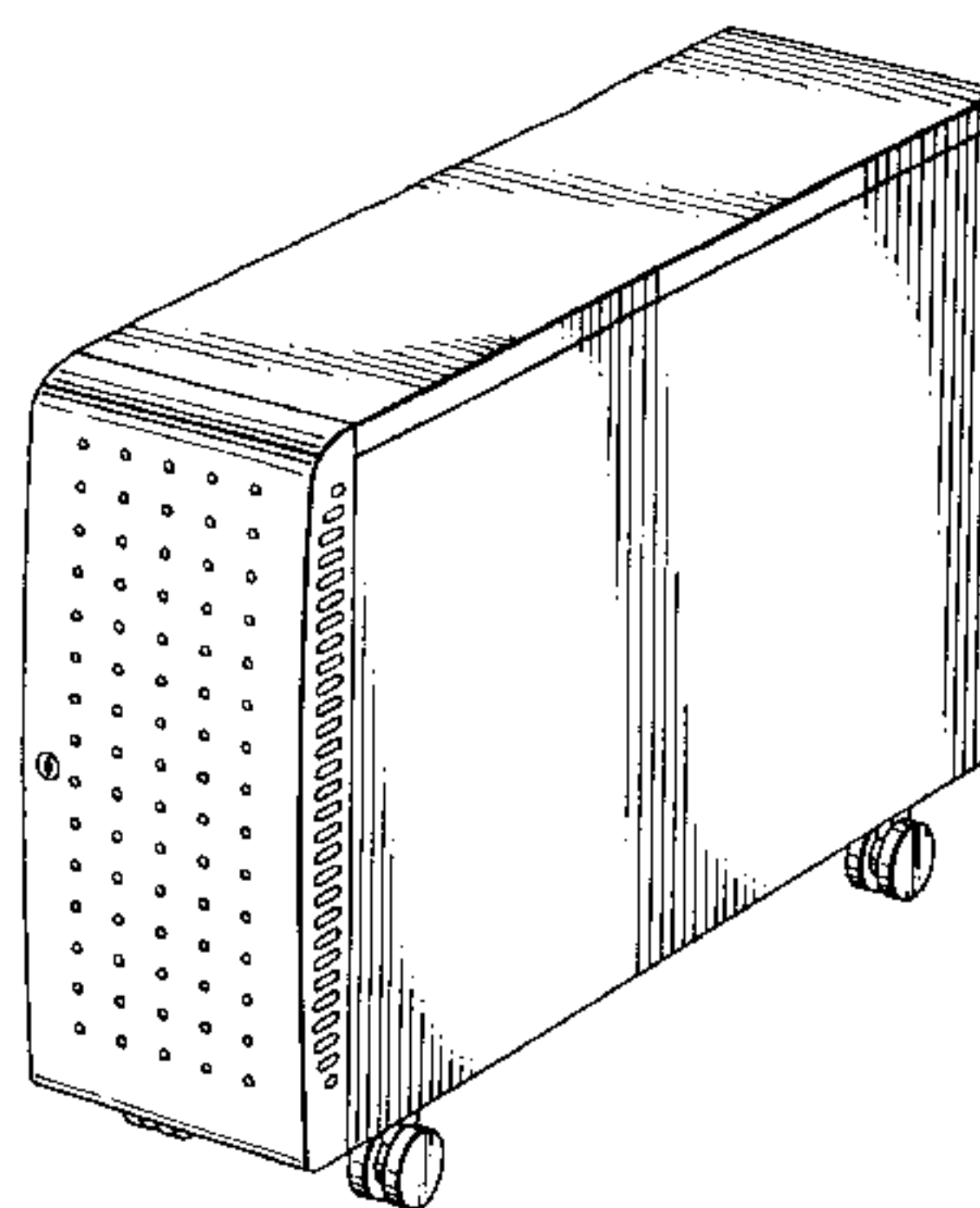


FIG.1

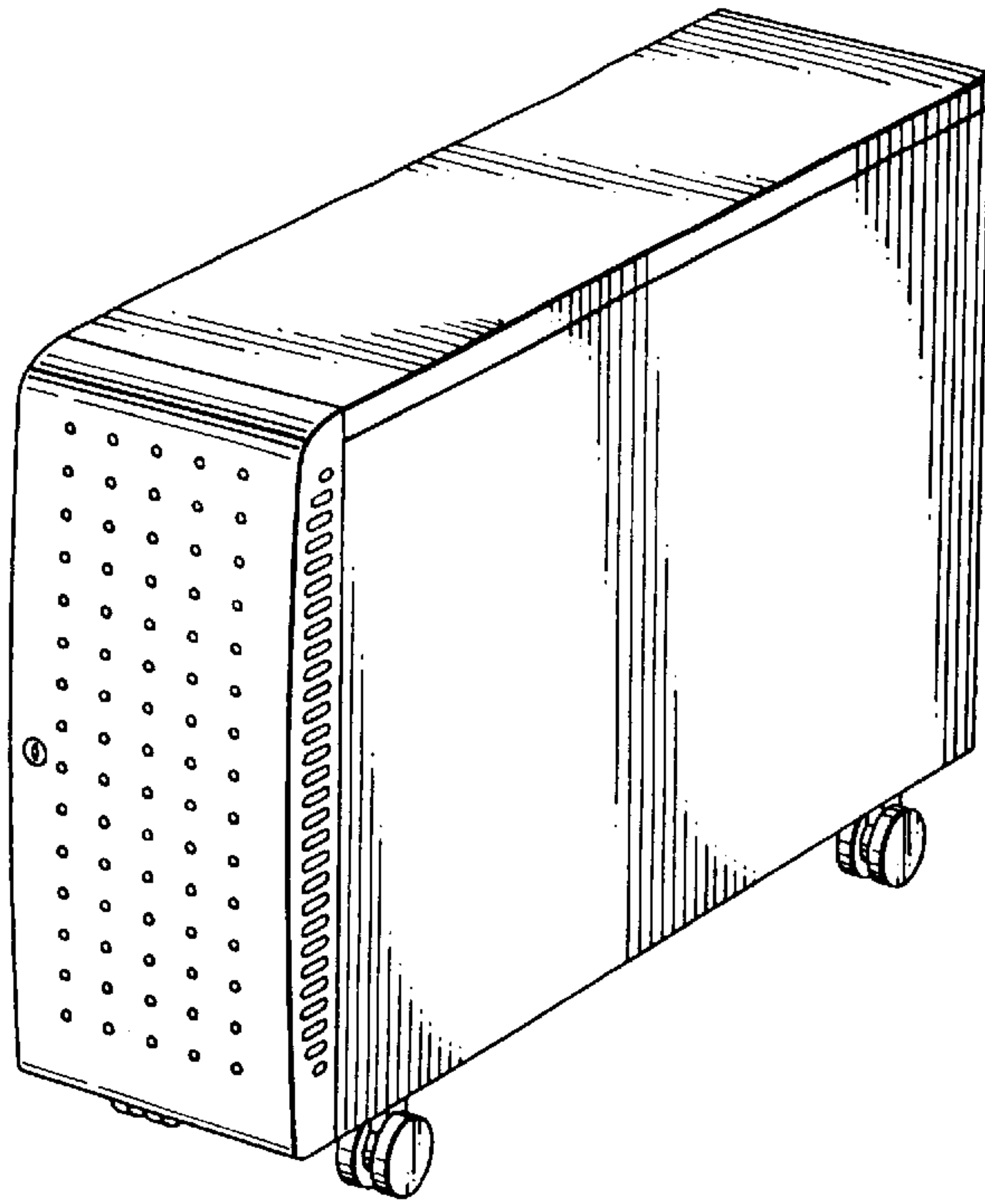


FIG.2

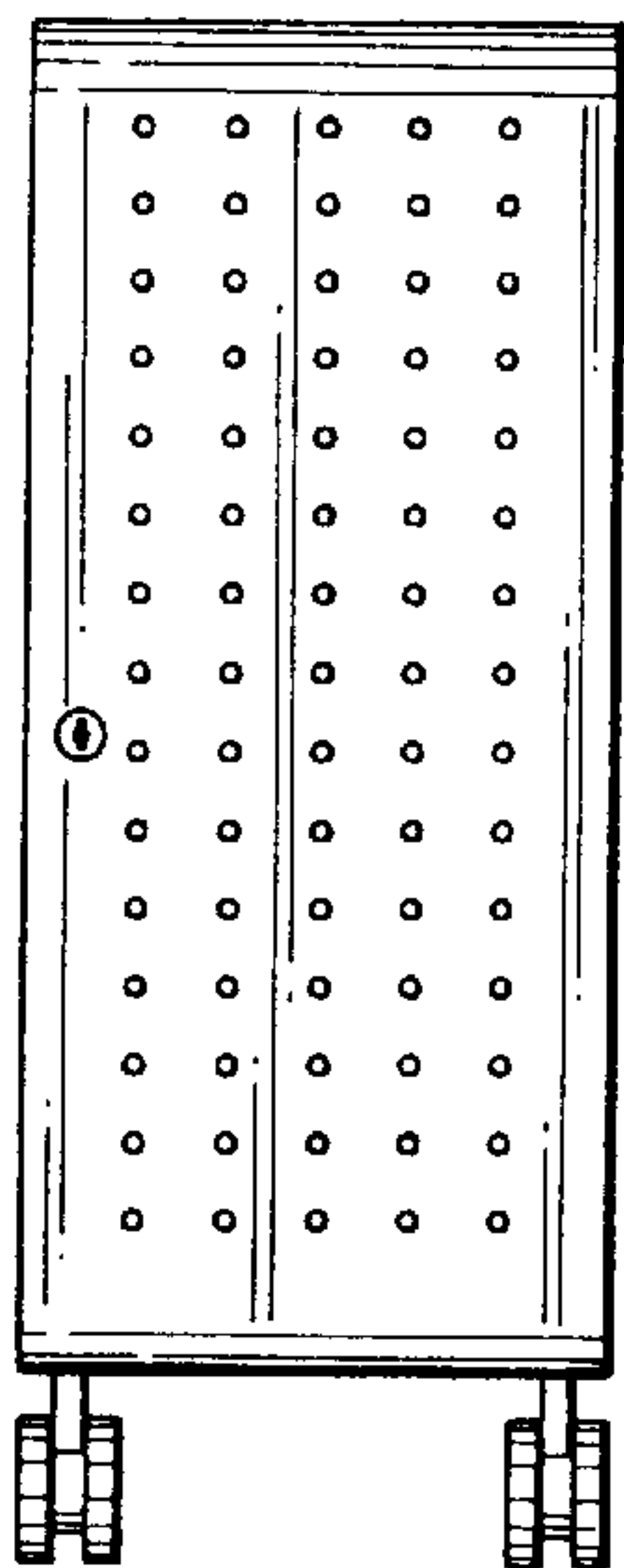


FIG.3

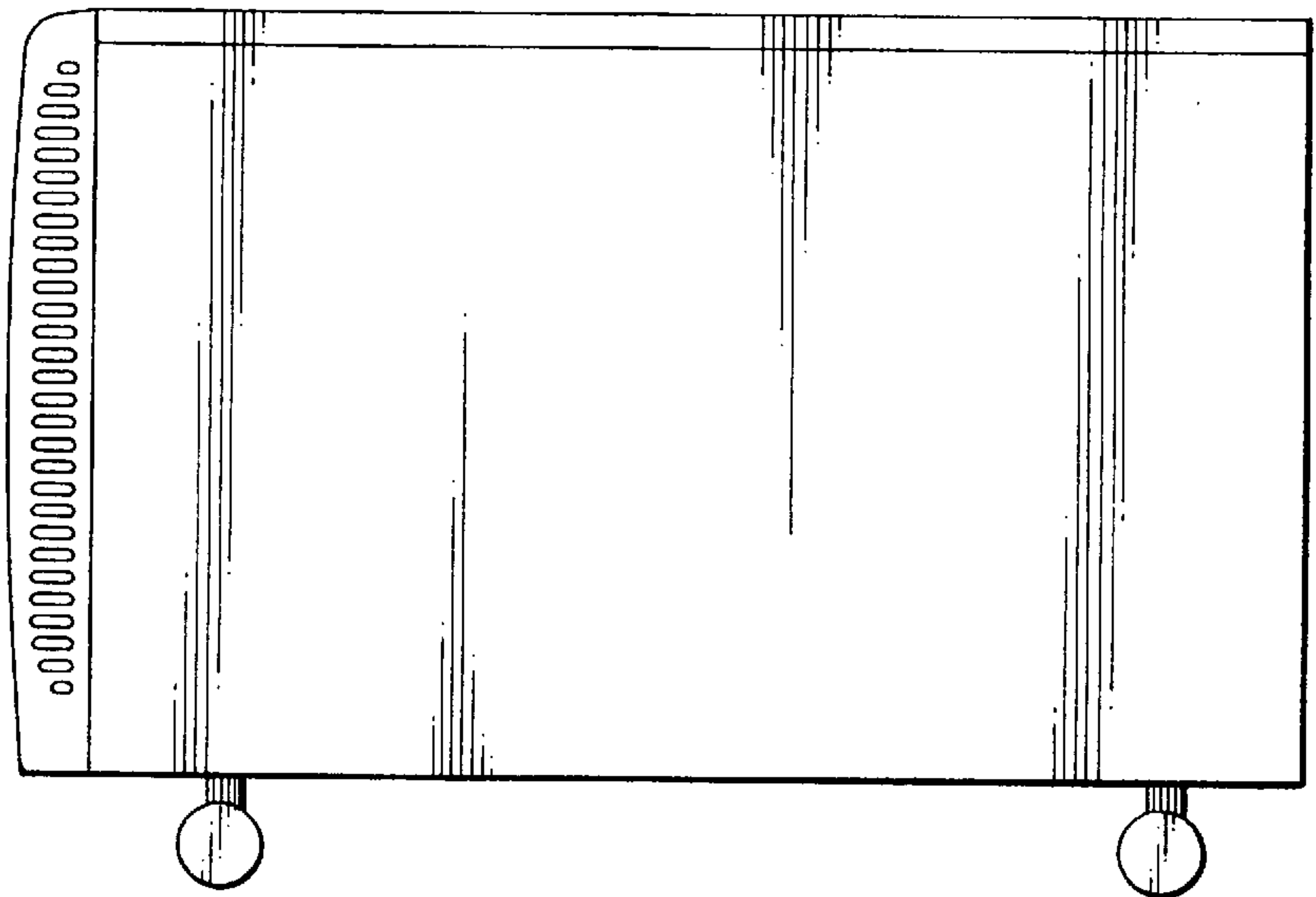


FIG. 4

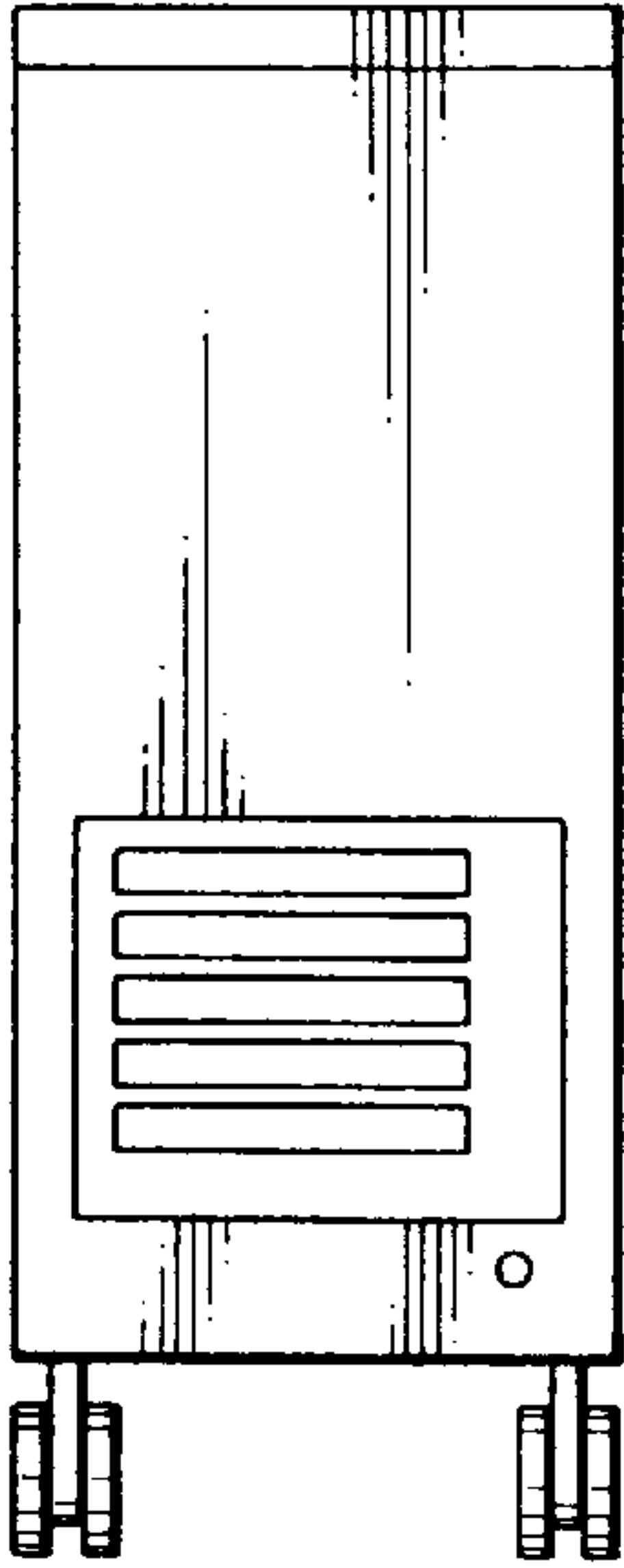


FIG. 5

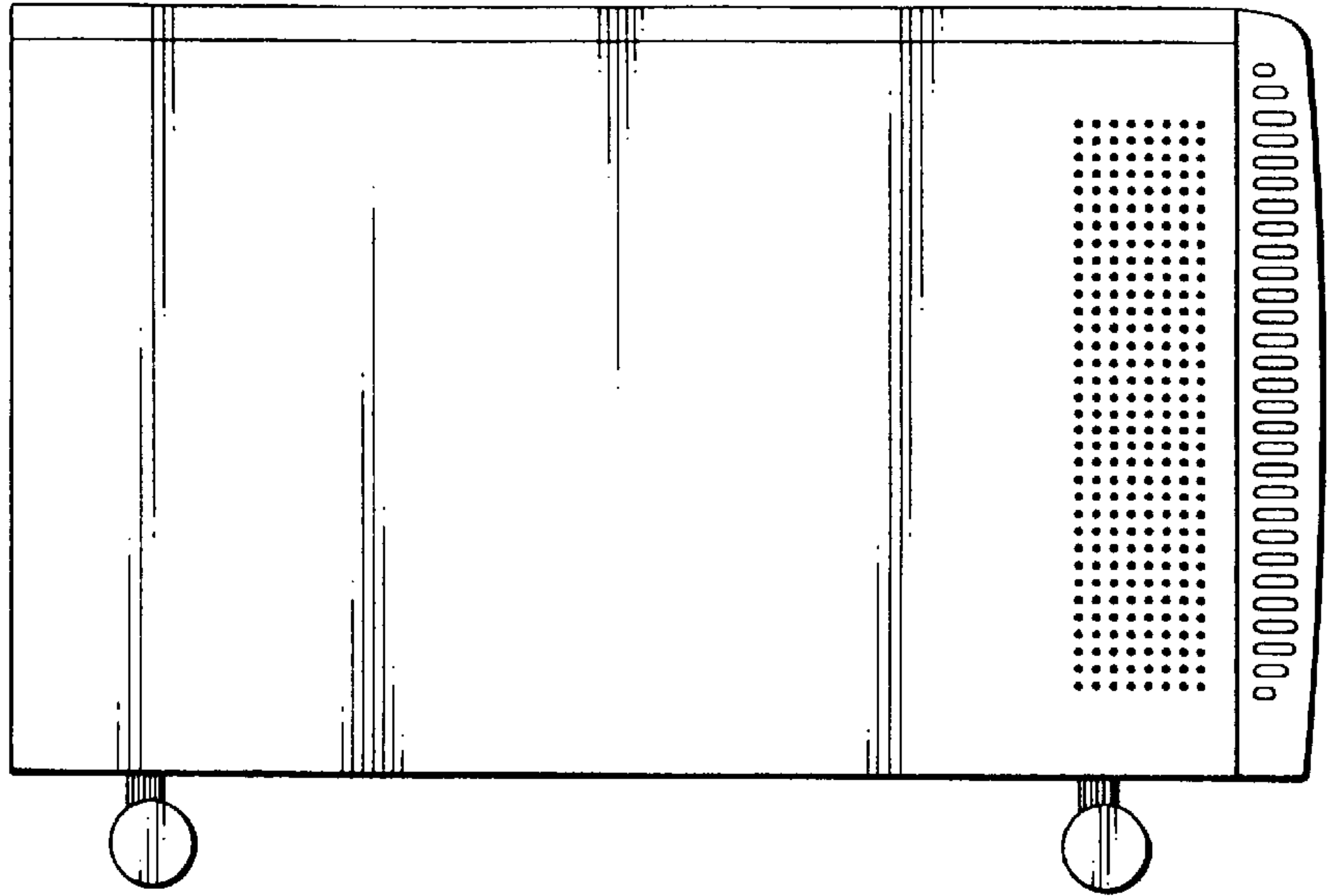


FIG. 6

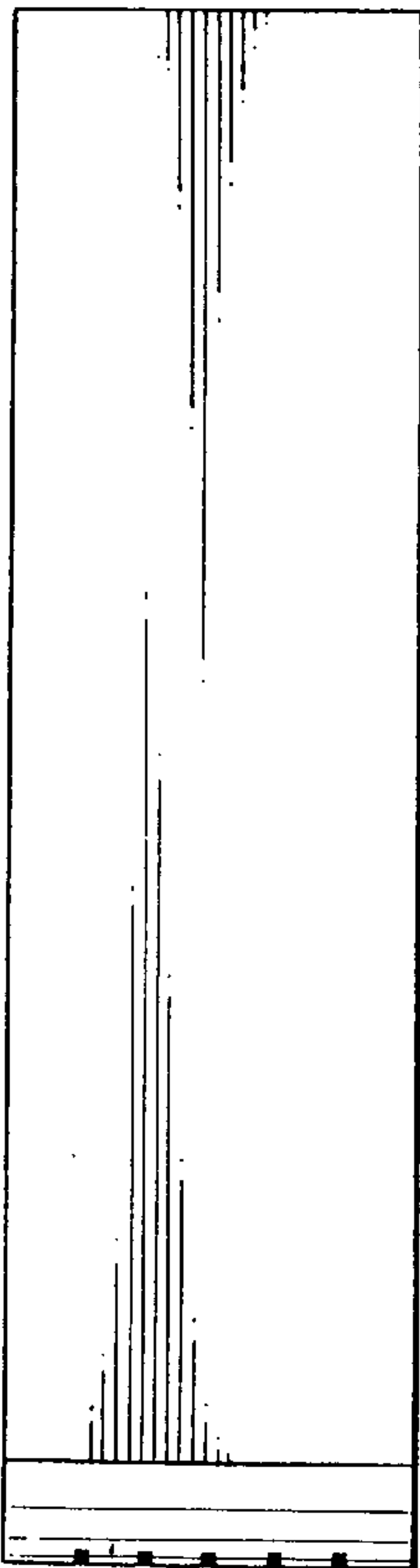


FIG. 7

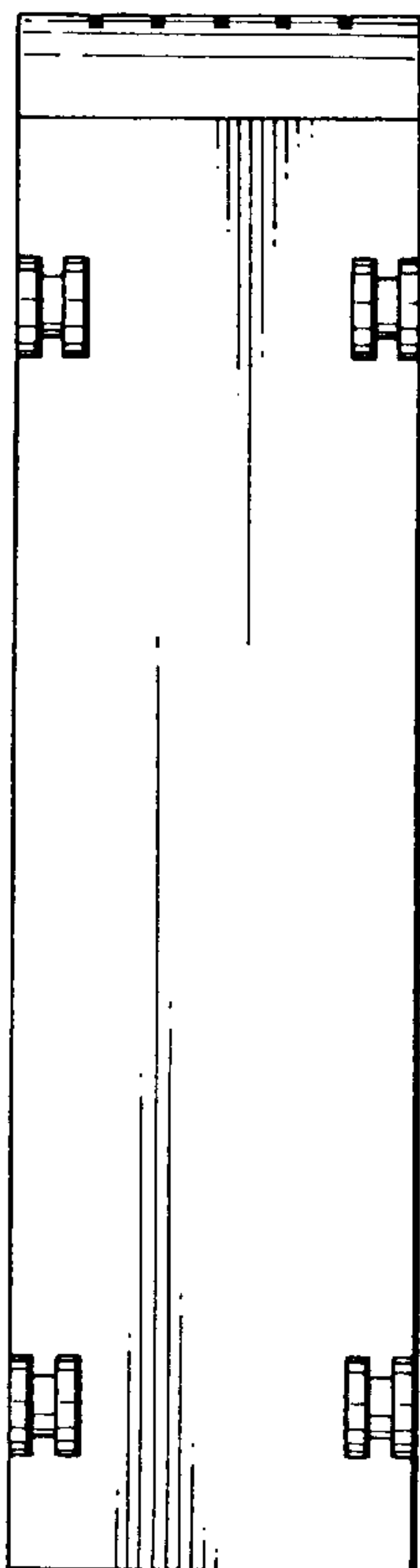


FIG. 8

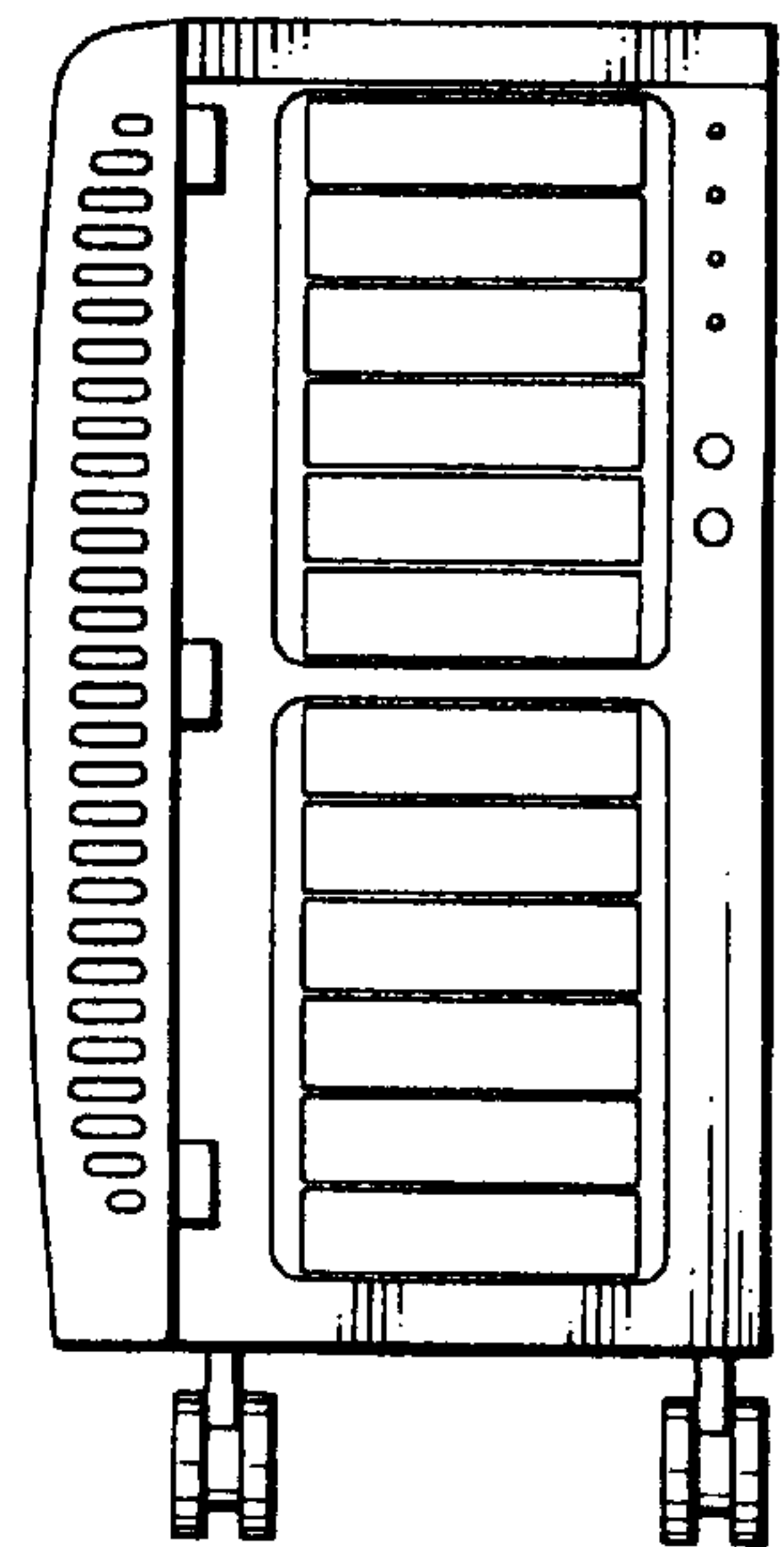


FIG. 9

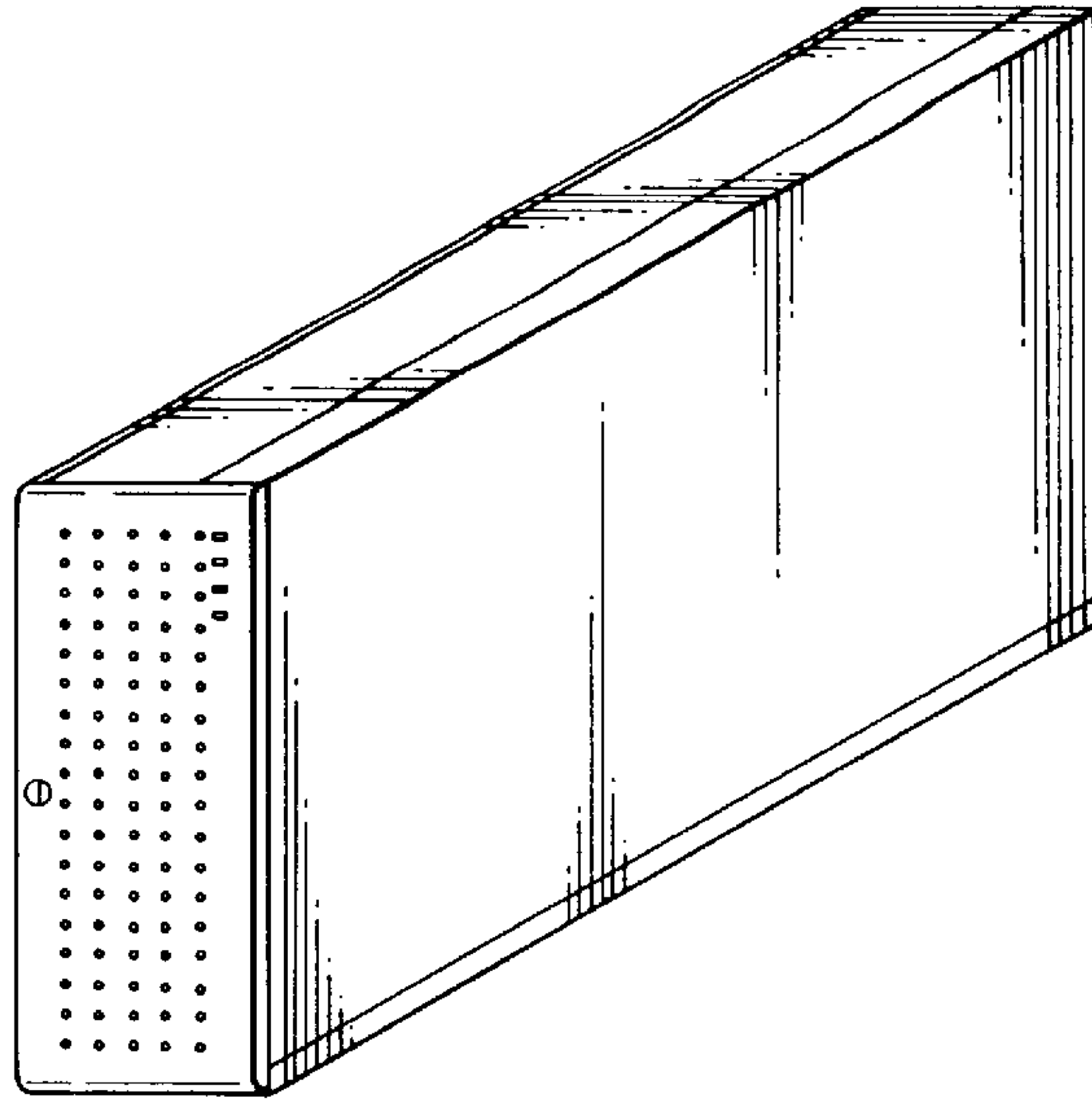


FIG. 10

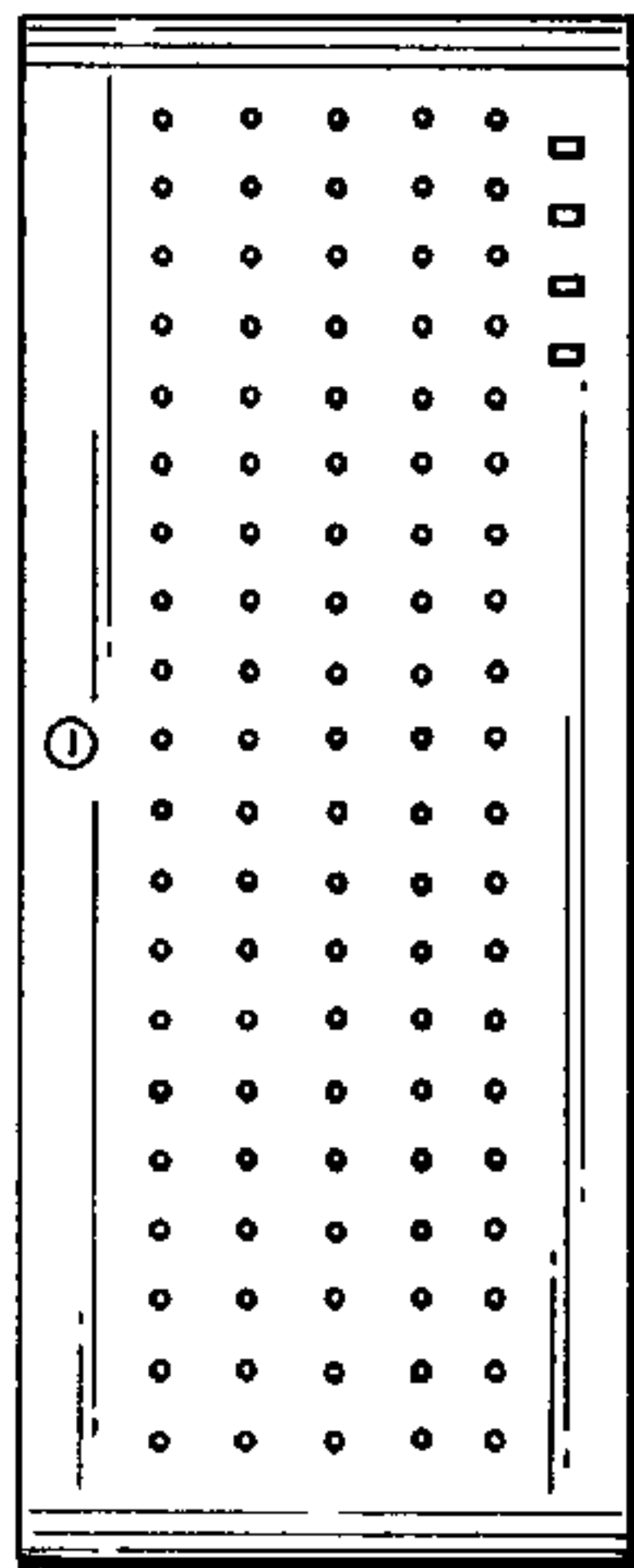


FIG. 11

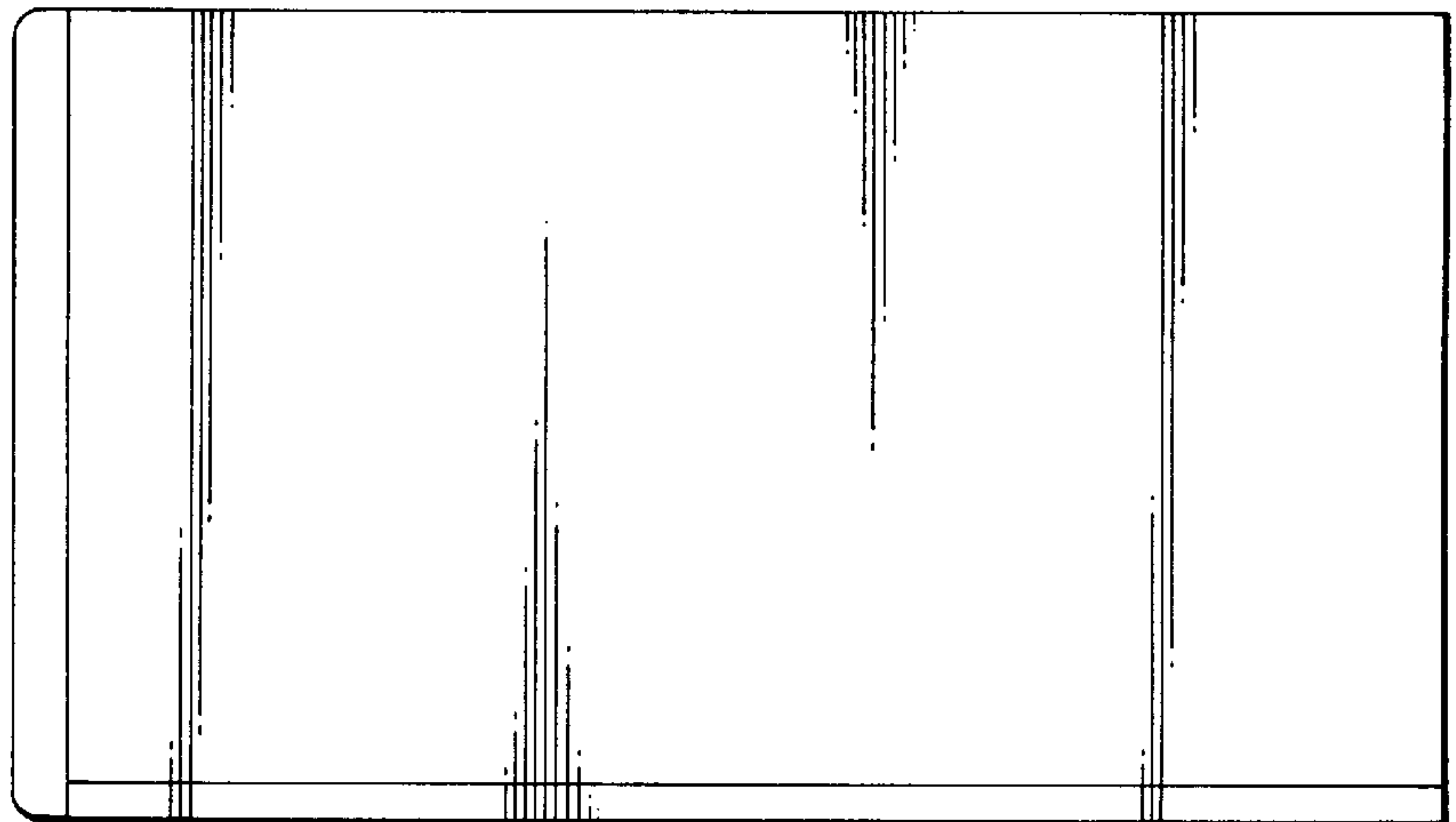


FIG.12

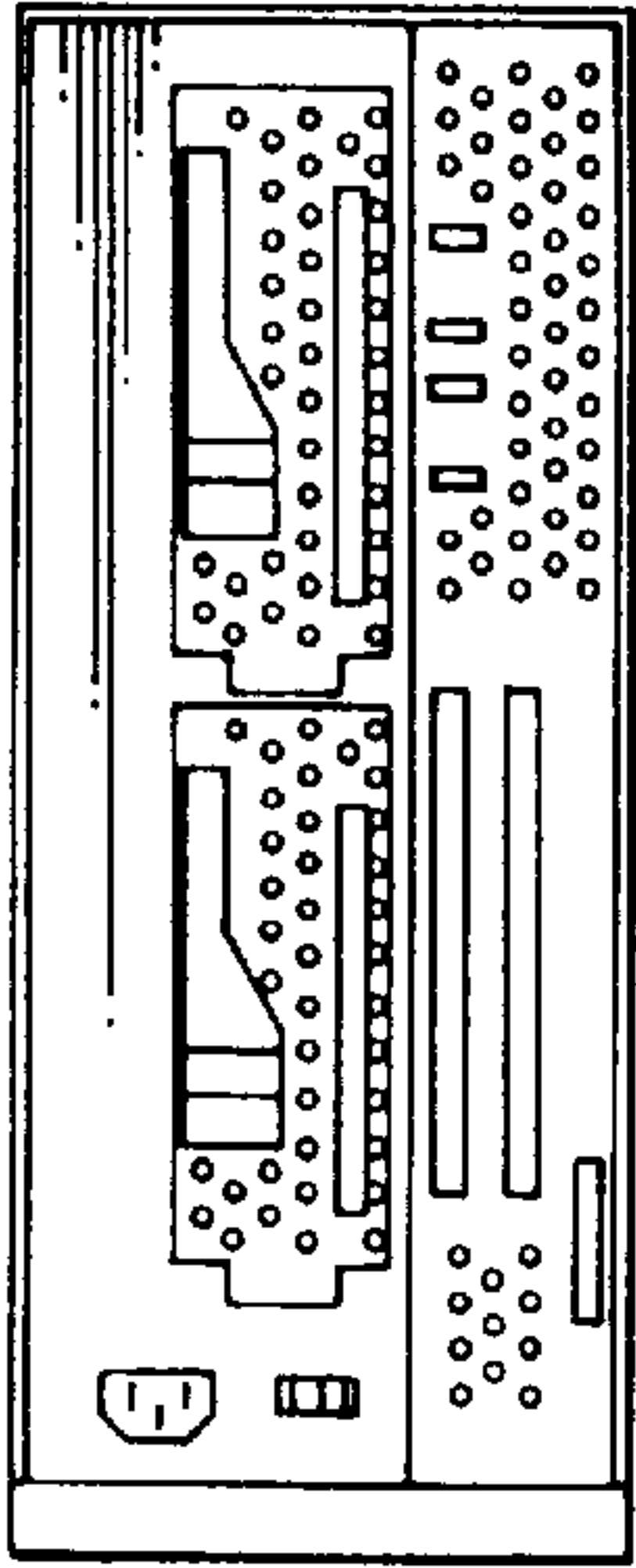


FIG.13

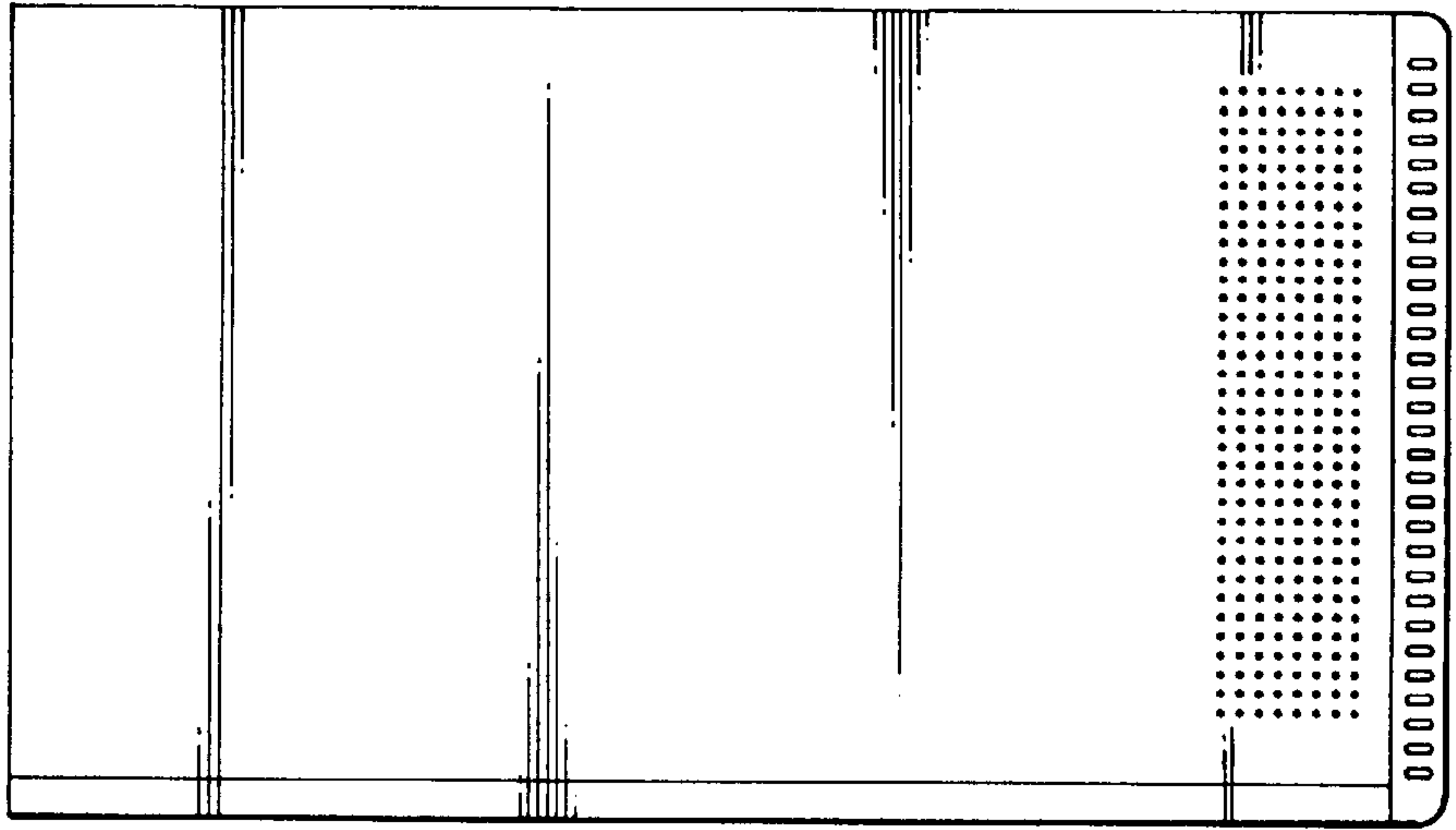


FIG.14

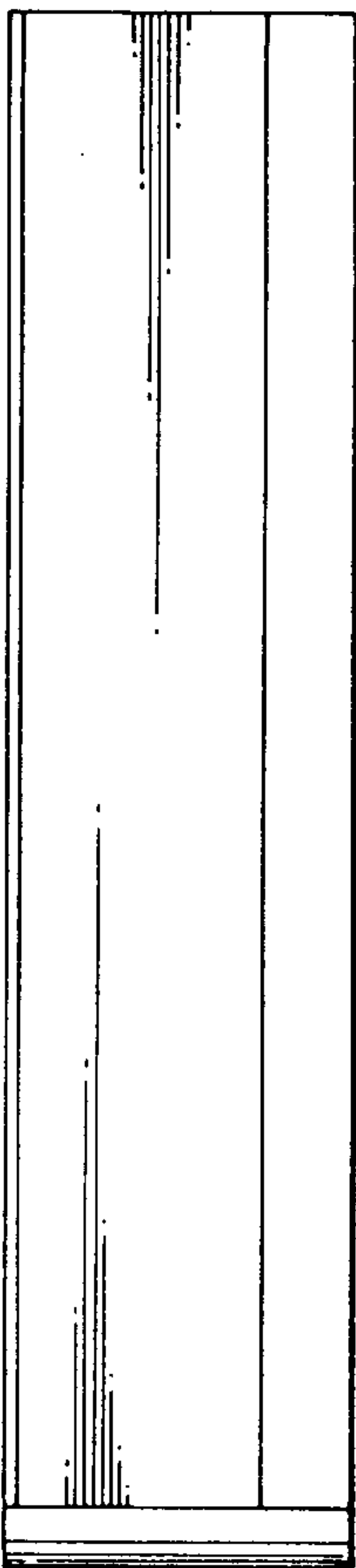


FIG.15

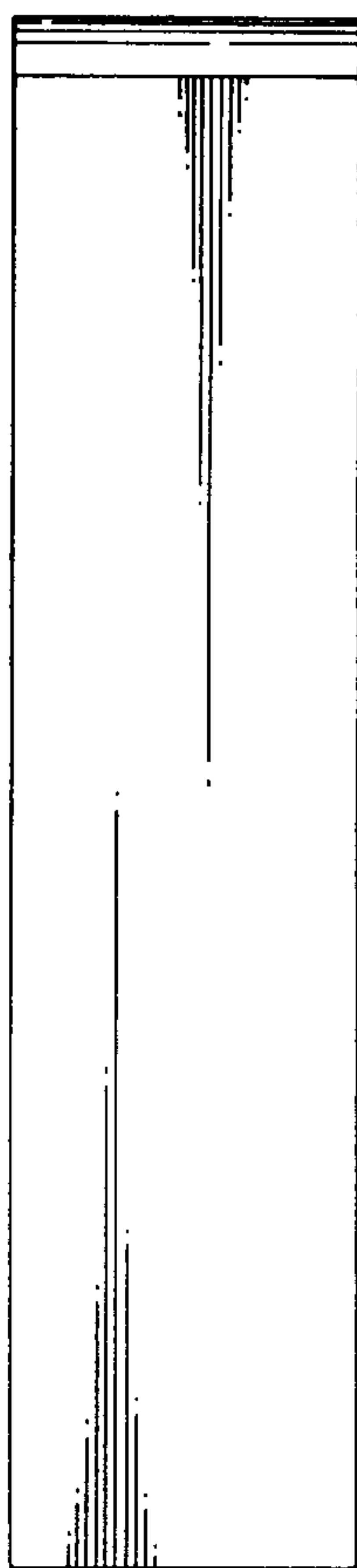


FIG.16

