



US00D416238S

United States Patent [19]

Irie et al.

[11] **Patent Number: Des. 416,238**

[45] **Date of Patent: ** Nov. 9, 1999**

[54] **ELECTRONIC COMPUTER**

[75] Inventors: **Toru Irie**, Yokohama; **Takashi Ifuji**, Tokyo, both of Japan; **Peter George Lawton**, Taby; **Tor Gabriel Bonnier**, Stockholm, both of Sweden

[73] Assignee: **Fujitsu Limited**, Kawasaki, Japan

[**] Term: **14 Years**

[21] Appl. No.: **29/094,619**

[22] Filed: **Oct. 6, 1998**

[30] **Foreign Application Priority Data**

Apr. 9, 1998 [JP] Japan 10-10202

[51] **LOC (6) Cl.** **14-02**

[52] **U.S. Cl.** **D14/106**

[58] **Field of Search** D14/100, 101, D14/106, 113, 115; D18/1, 7, 2; 235/145 A, 145 R; 341/22, 23; 345/104, 156, 168, 169, 173; 361/680-686; 364/708.1; 400/486, 489

[56] **References Cited**

U.S. PATENT DOCUMENTS

D. 361,553 8/1995 De Iuliis D14/106

D. 384,043 9/1997 Tamaki D14/106
D. 385,856 11/1997 Kawa D14/106
D. 396,220 7/1998 Lee D14/106

Primary Examiner—Freda Nunn
Attorney, Agent, or Firm—Staas & Halsey

[57] **CLAIM**

The ornamental design for an electronic computer, as shown and described.

DESCRIPTION

FIG. 1 is a front elevational view of electronic computer embodying our new design;
FIG. 2 is a rear elevational view thereof;
FIG. 3 is a top plan view thereof;
FIG. 4 is a bottom plan view thereof;
FIG. 5 is a left side elevational view thereof;
FIG. 6 is a right side elevational view thereof;
FIG. 7 is a sectional view taken along line 7—7 of the front view of FIG. 1;
FIG. 8 is a perspective view thereof; and,
FIG. 9 is a perspective view thereof with the cover in closed position.

1 Claim, 5 Drawing Sheets

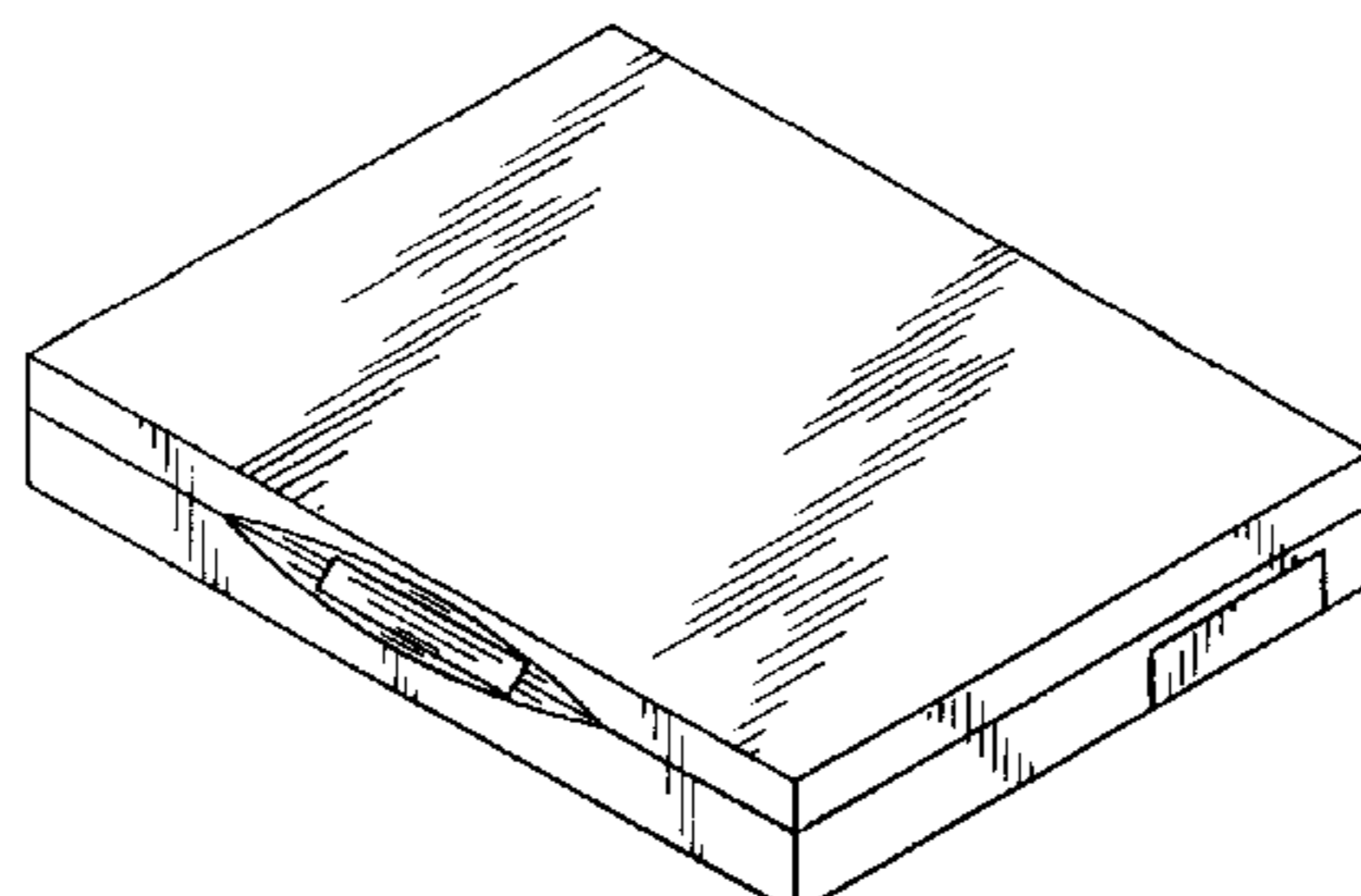
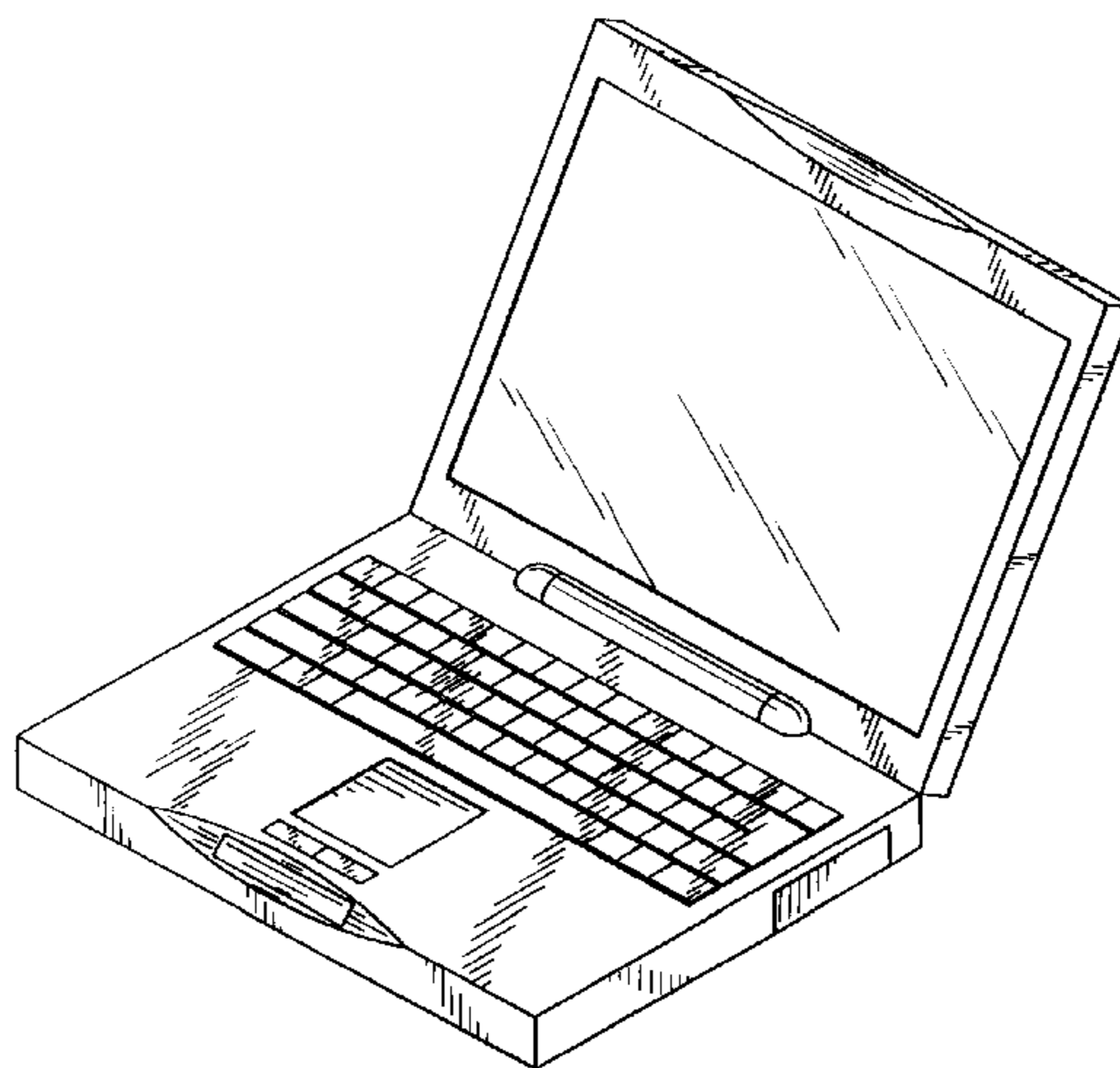


FIG. 1

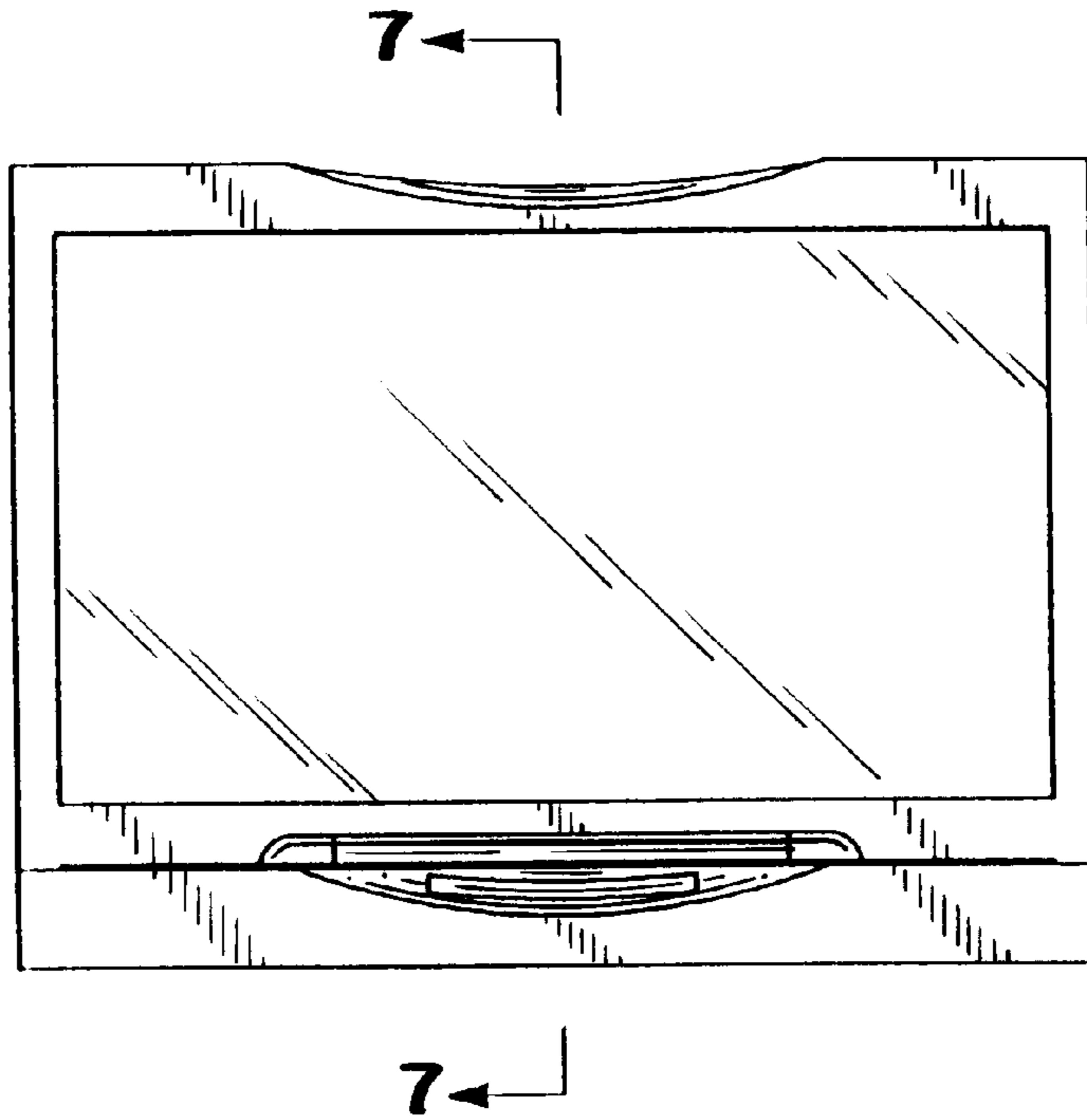


FIG. 2

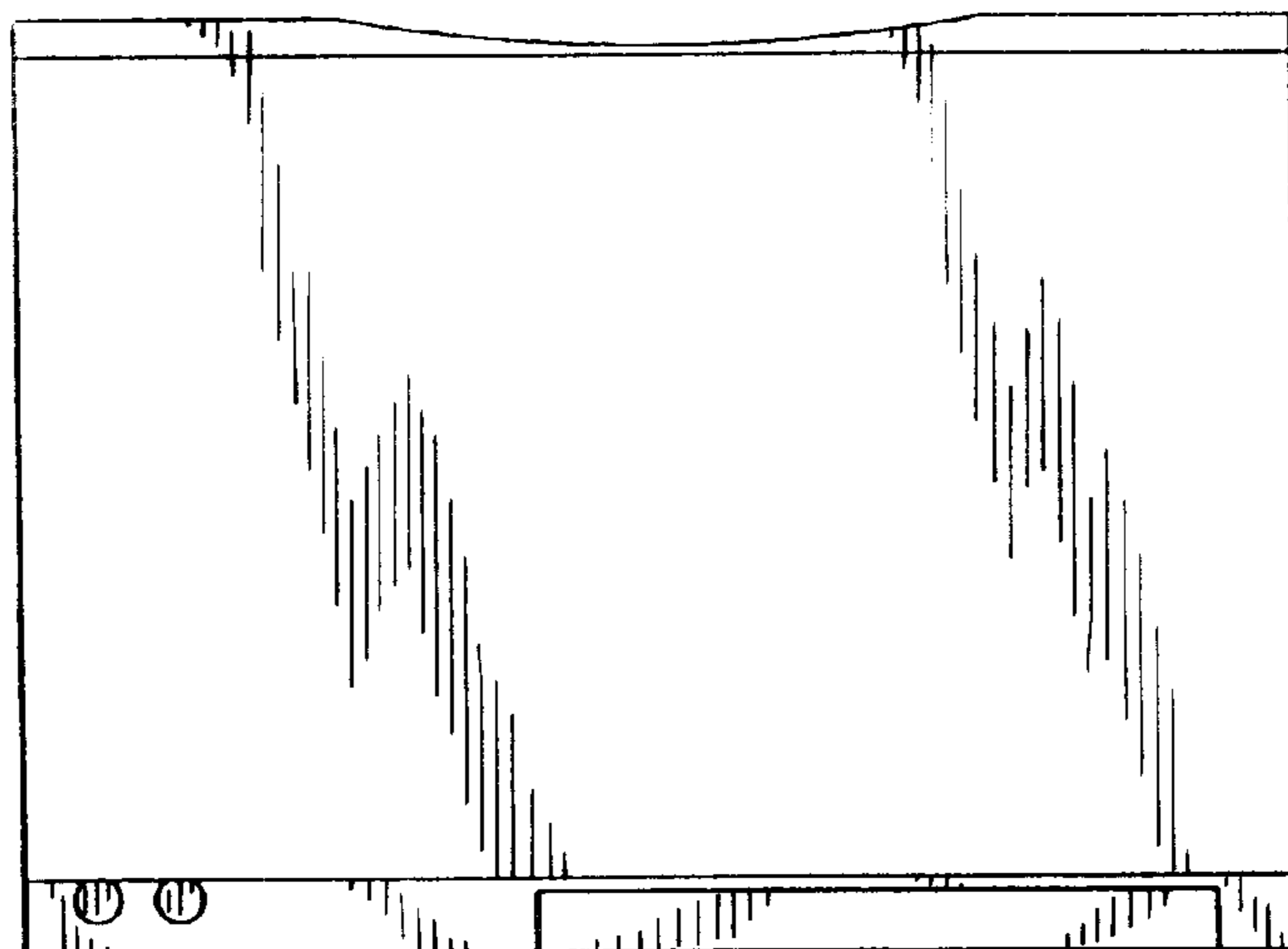


FIG. 3

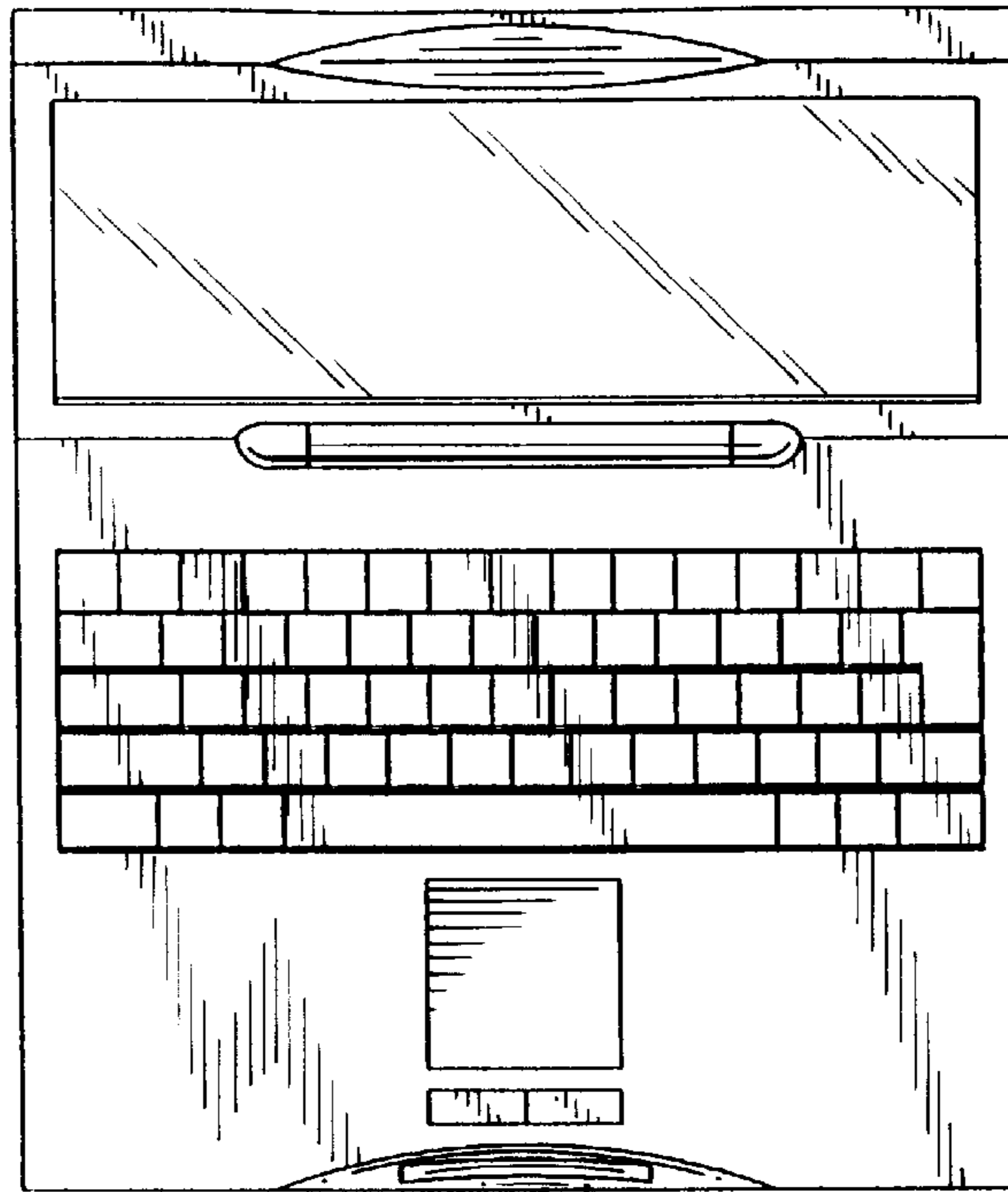


FIG. 4

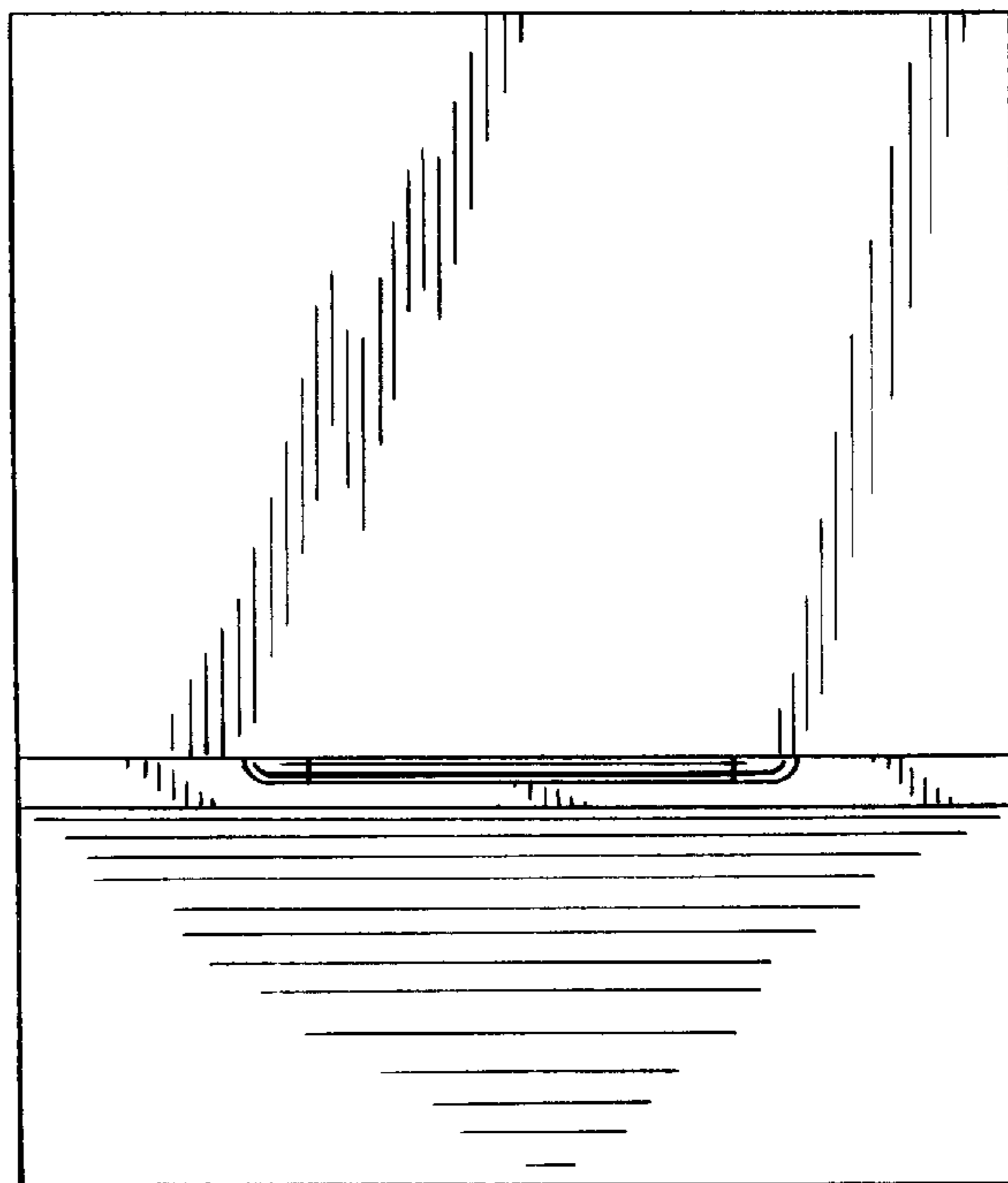


FIG. 5

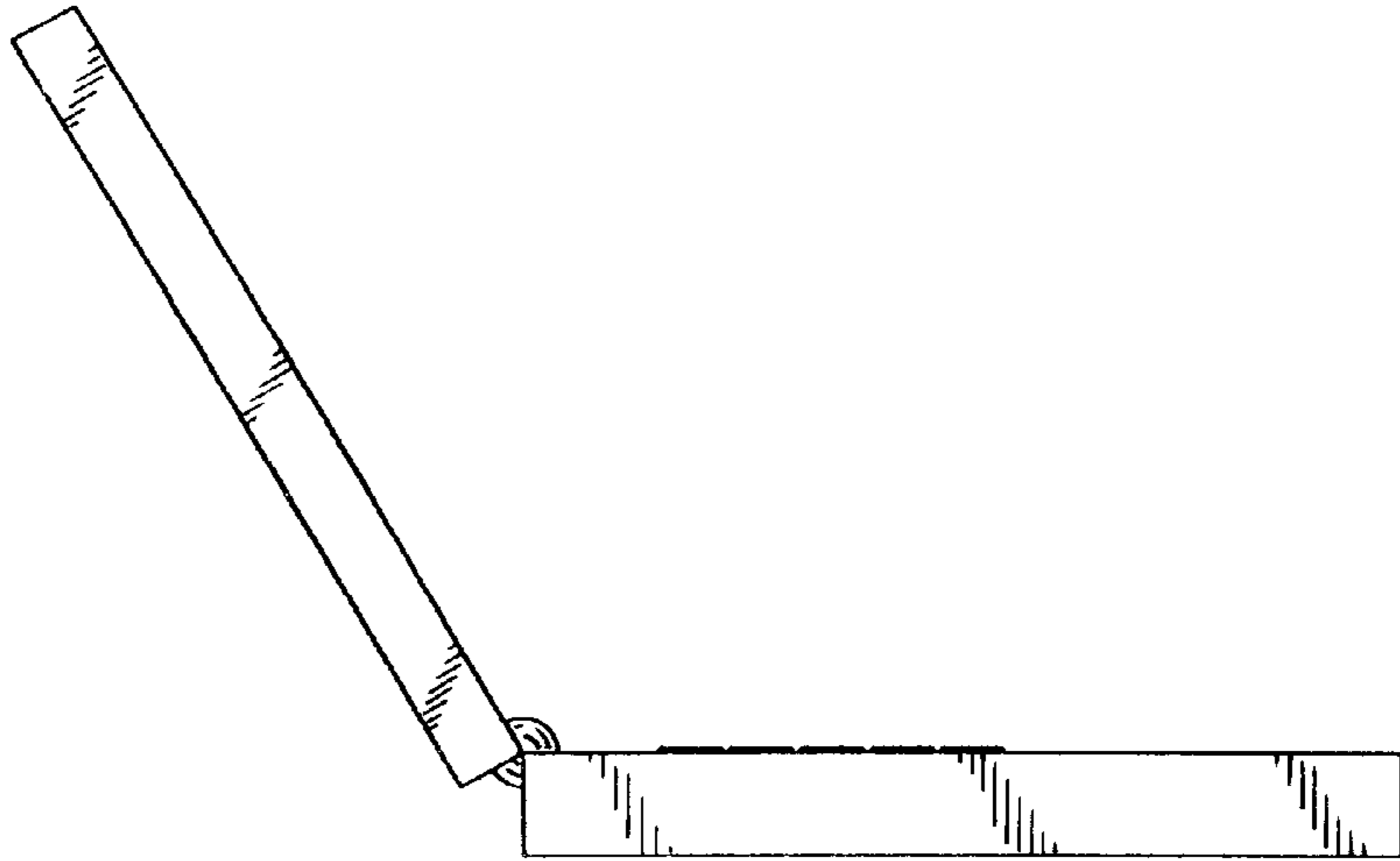


FIG. 6

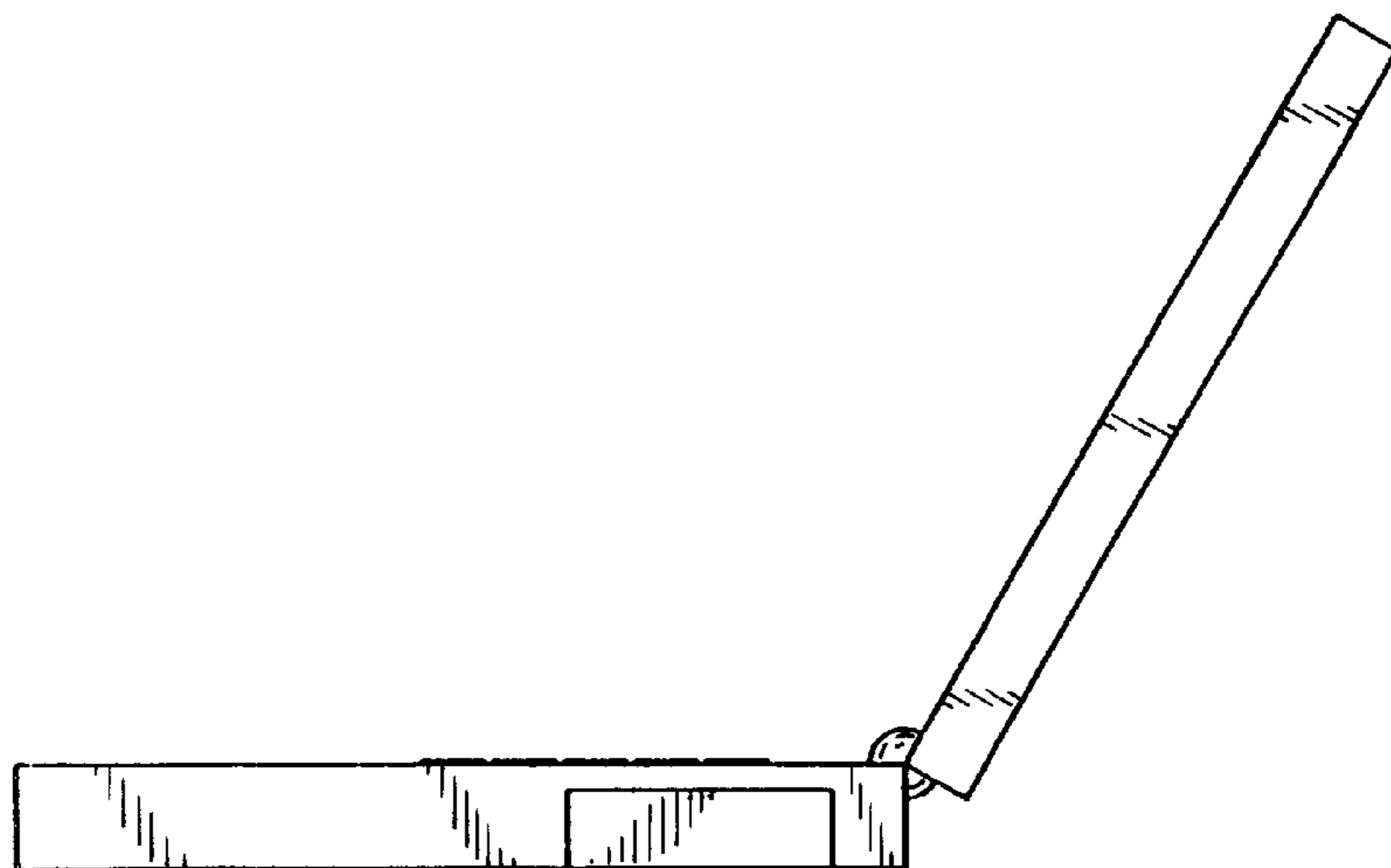


FIG. 7

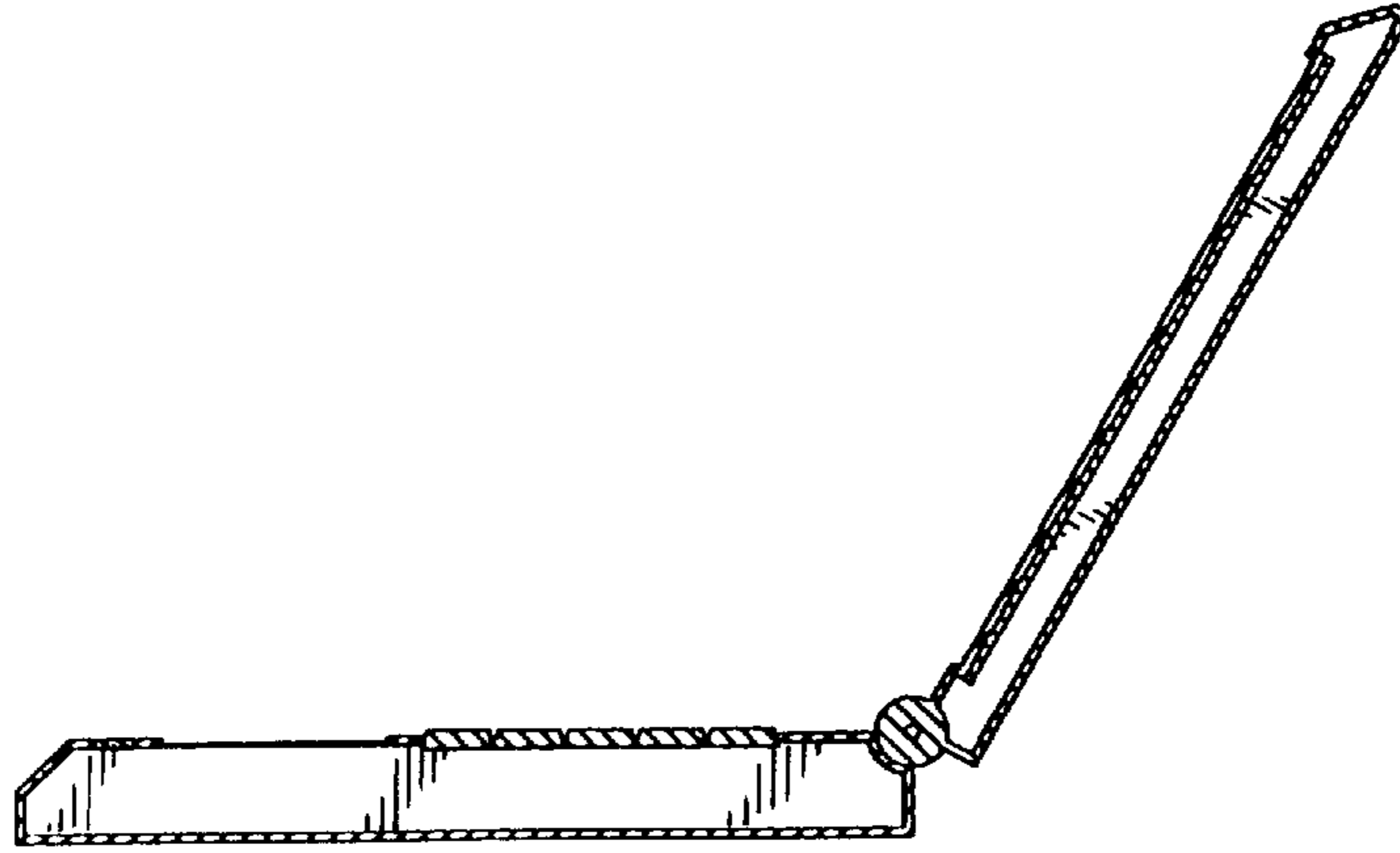


FIG. 8

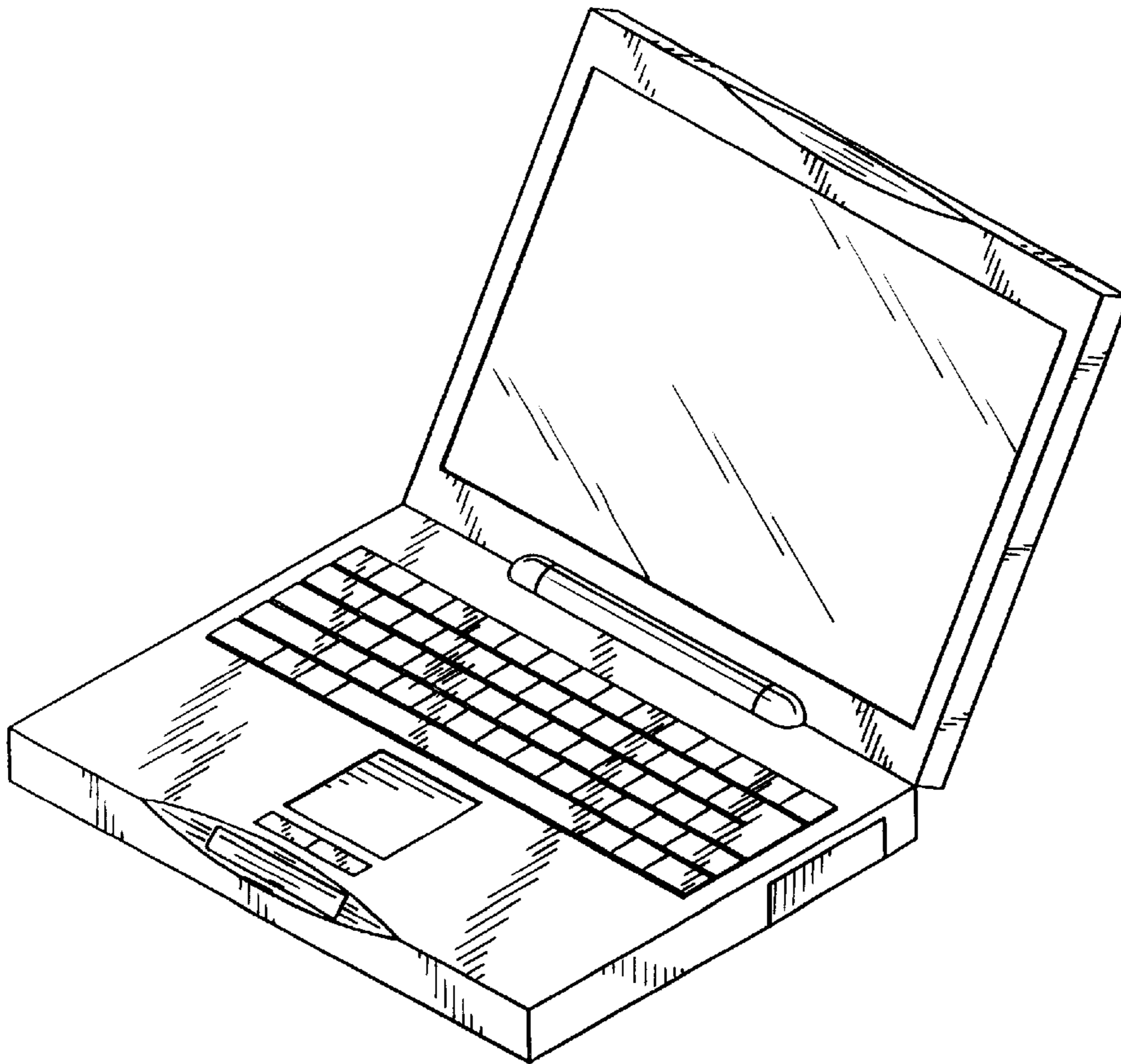


FIG. 9

