



US00D416231S

United States Patent [19] Chiou

[11] **Patent Number: Des. 416,231**

[45] **Date of Patent: ** Nov. 9, 1999**

[54] **ELECTRICAL CONNECTOR**

D. 377,007 12/1996 Tan et al. D13/147
5,865,646 2/1999 Ortega et al. 439/607

[75] Inventor: **Song-Rong Chiou**, Lin-Kou, Taiwan

Primary Examiner—Joel Sincavage

[73] Assignee: **Hon Hai Precision Ind. Co., Ltd.**,
Taipei Hsien, Taiwan

[57] **CLAIM**

[**] Term: **14 Years**

The ornamental design for an electrical connector, as shown.

[21] Appl. No.: **29/100,332**

DESCRIPTION

[22] Filed: **Feb. 8, 1999**

FIG. 1 is a perspective view of an electrical connector showing my new design;

[30] **Foreign Application Priority Data**

Aug. 7, 1998 [TW] Taiwan 87305790

FIG. 2 is a front elevational view thereof;

[51] **LOC (6) Cl.** **13-03**

FIG. 3 is a rear elevational view thereof;

[52] **U.S. Cl.** **D13/147**

FIG. 4 is a left side elevational view thereof;

[58] **Field of Search** D13/146, 147;
439/607, 608, 609, 610

FIG. 5 is a right side elevational view thereof;

FIG. 6 is a top plan view thereof; and,

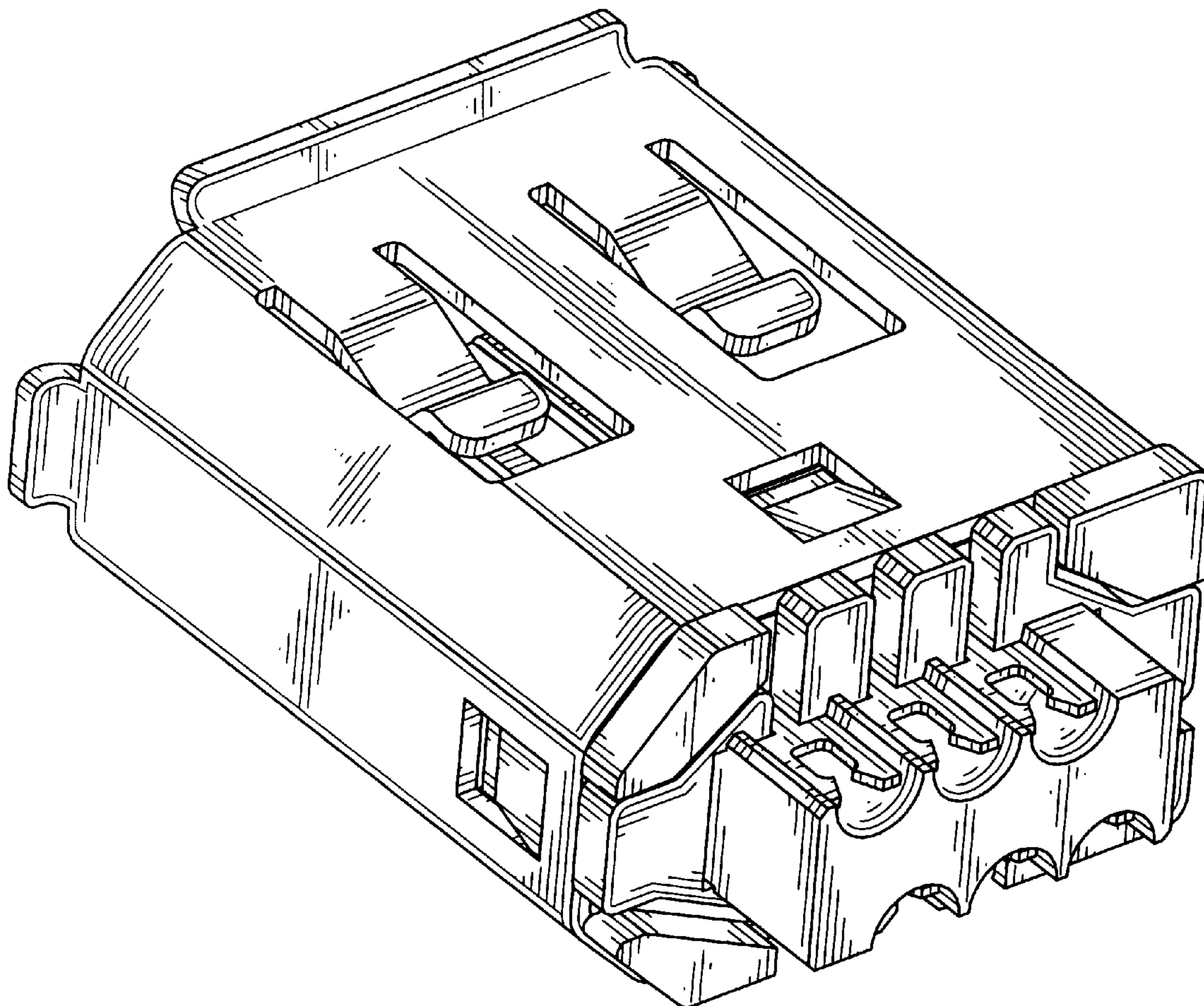
FIG. 7 is a bottom plan view thereof.

[56] **References Cited**

U.S. PATENT DOCUMENTS

D. 344,492 2/1994 Nakamura D13/147

1 Claim, 7 Drawing Sheets



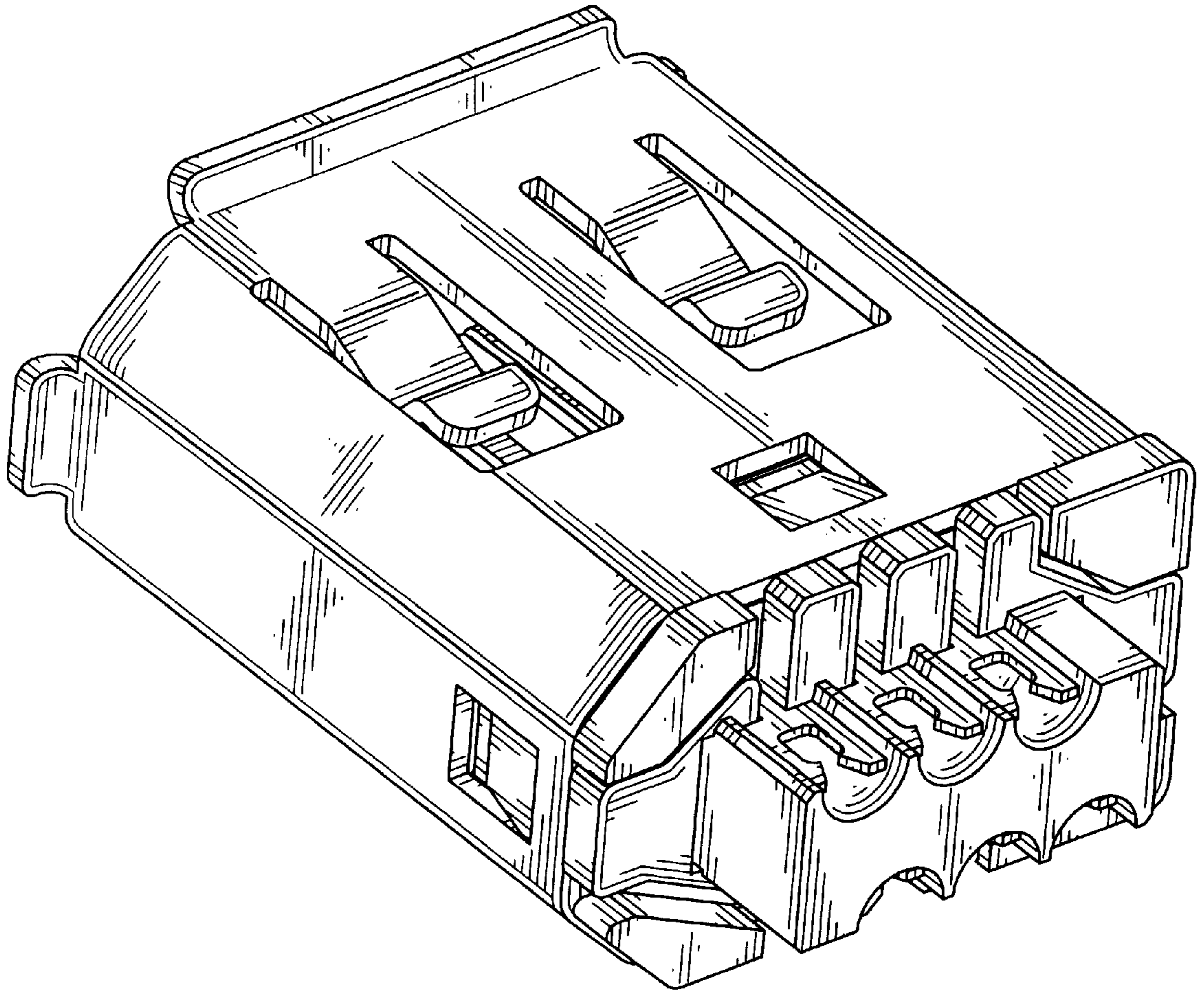


FIG. 1

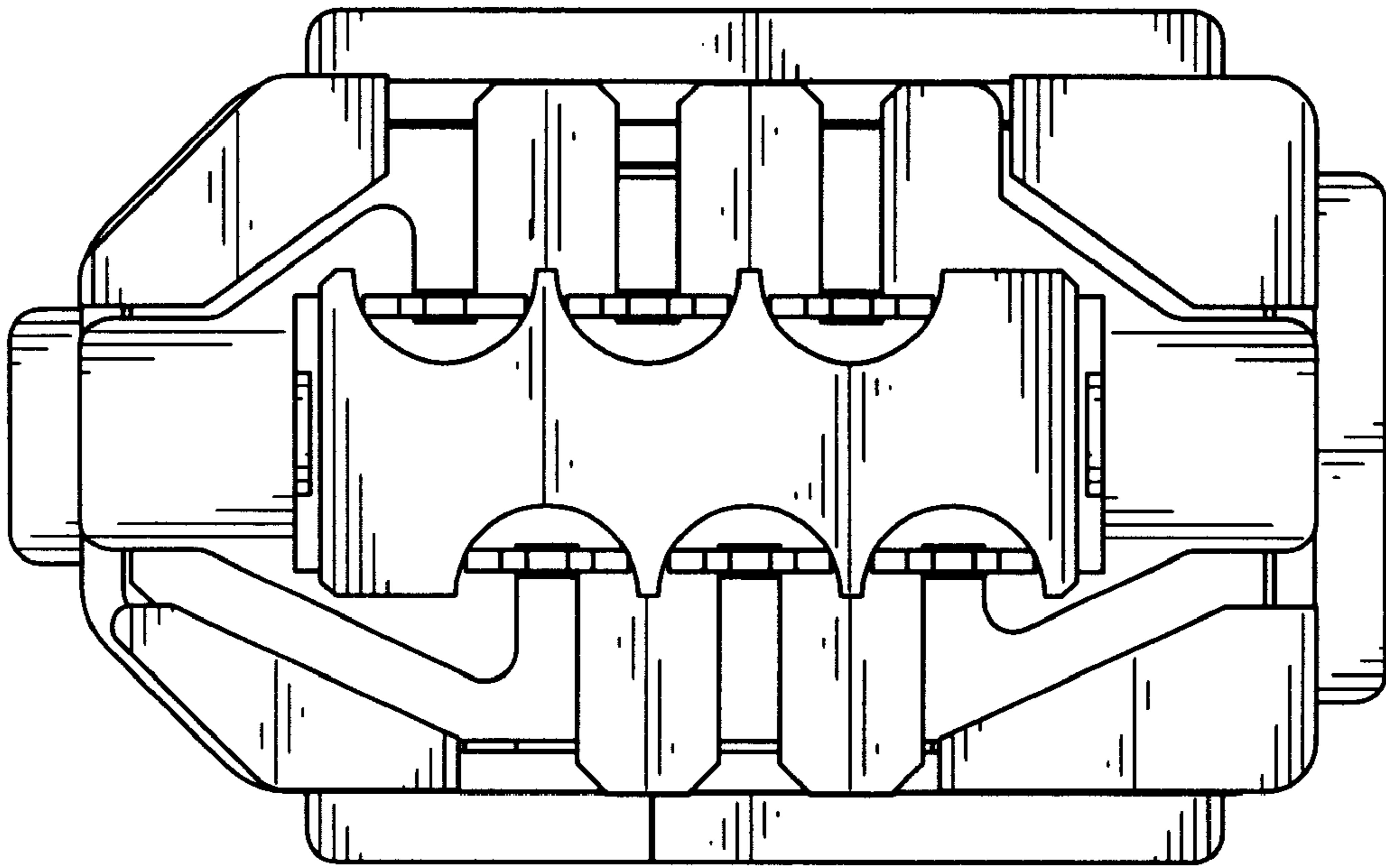


FIG. 2

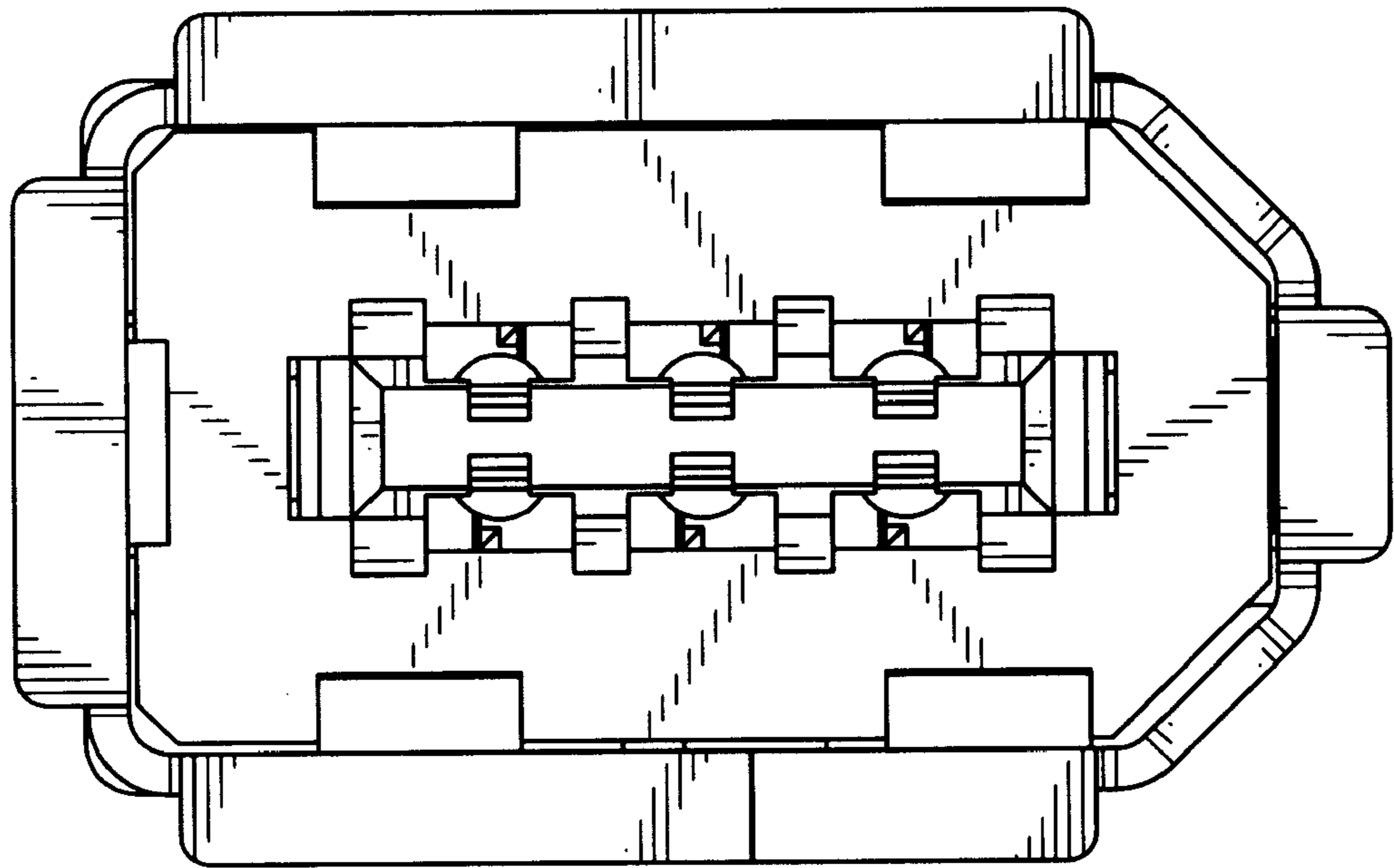


FIG. 3

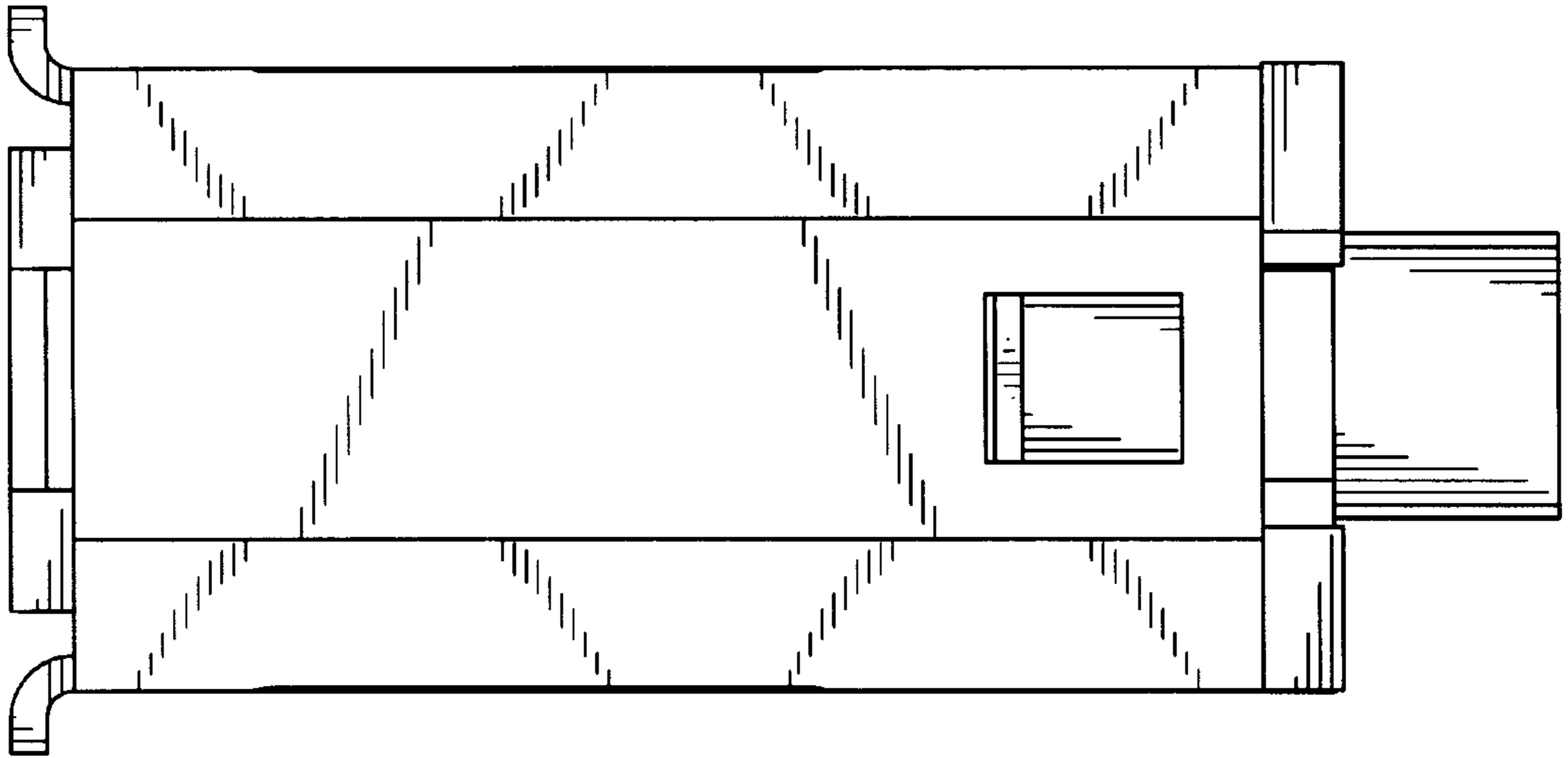


FIG.4

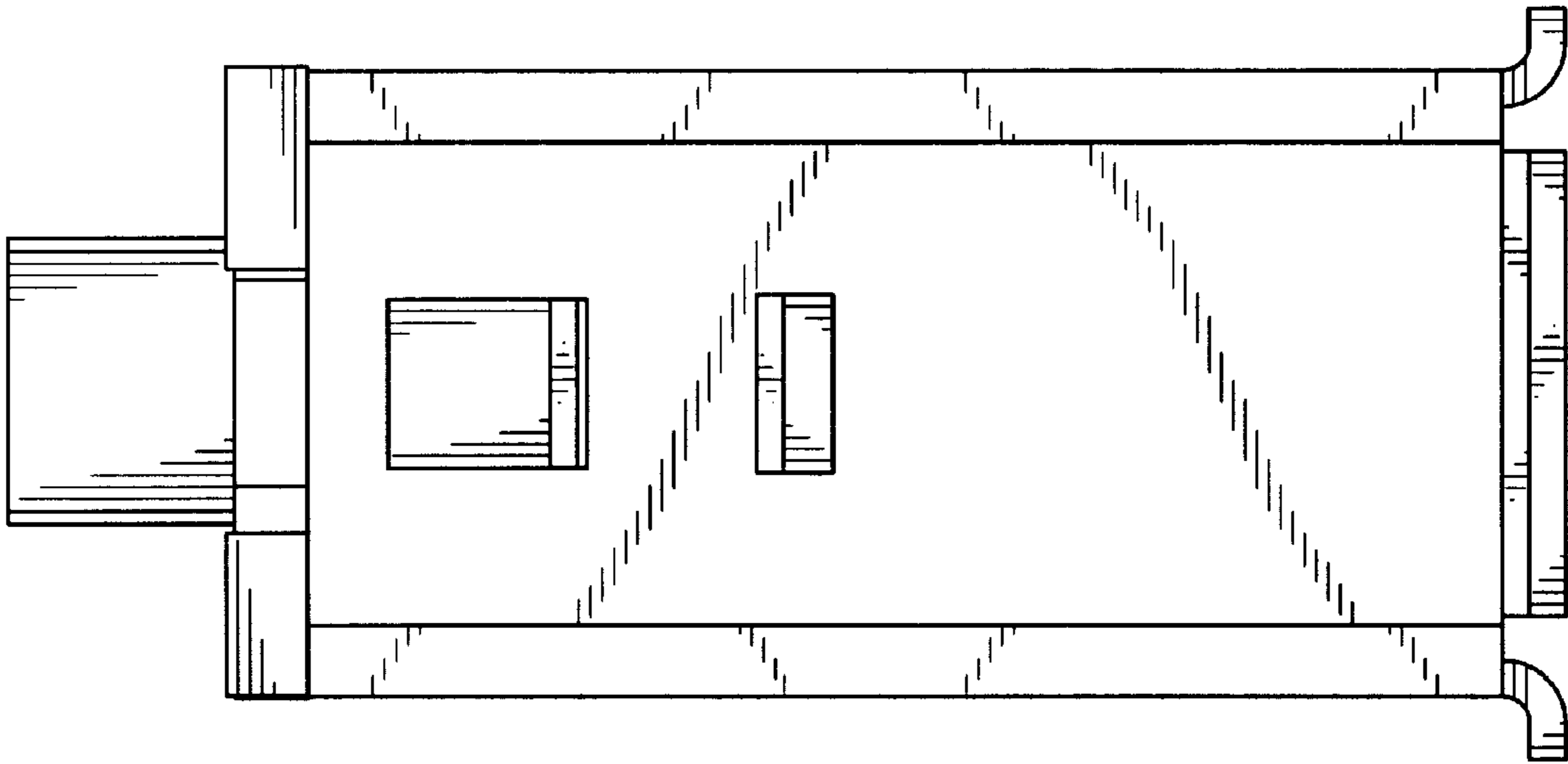


FIG.5

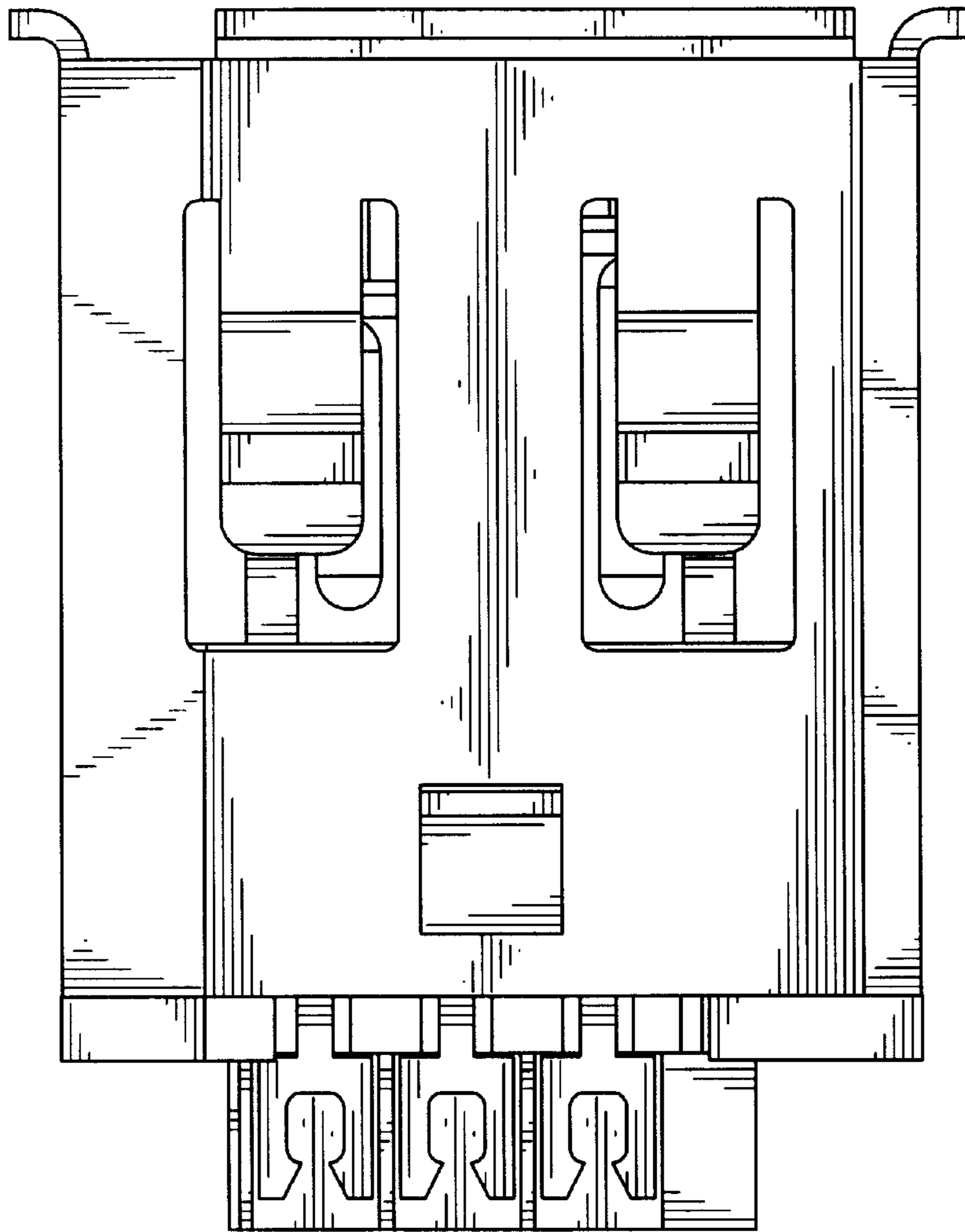


FIG. 6

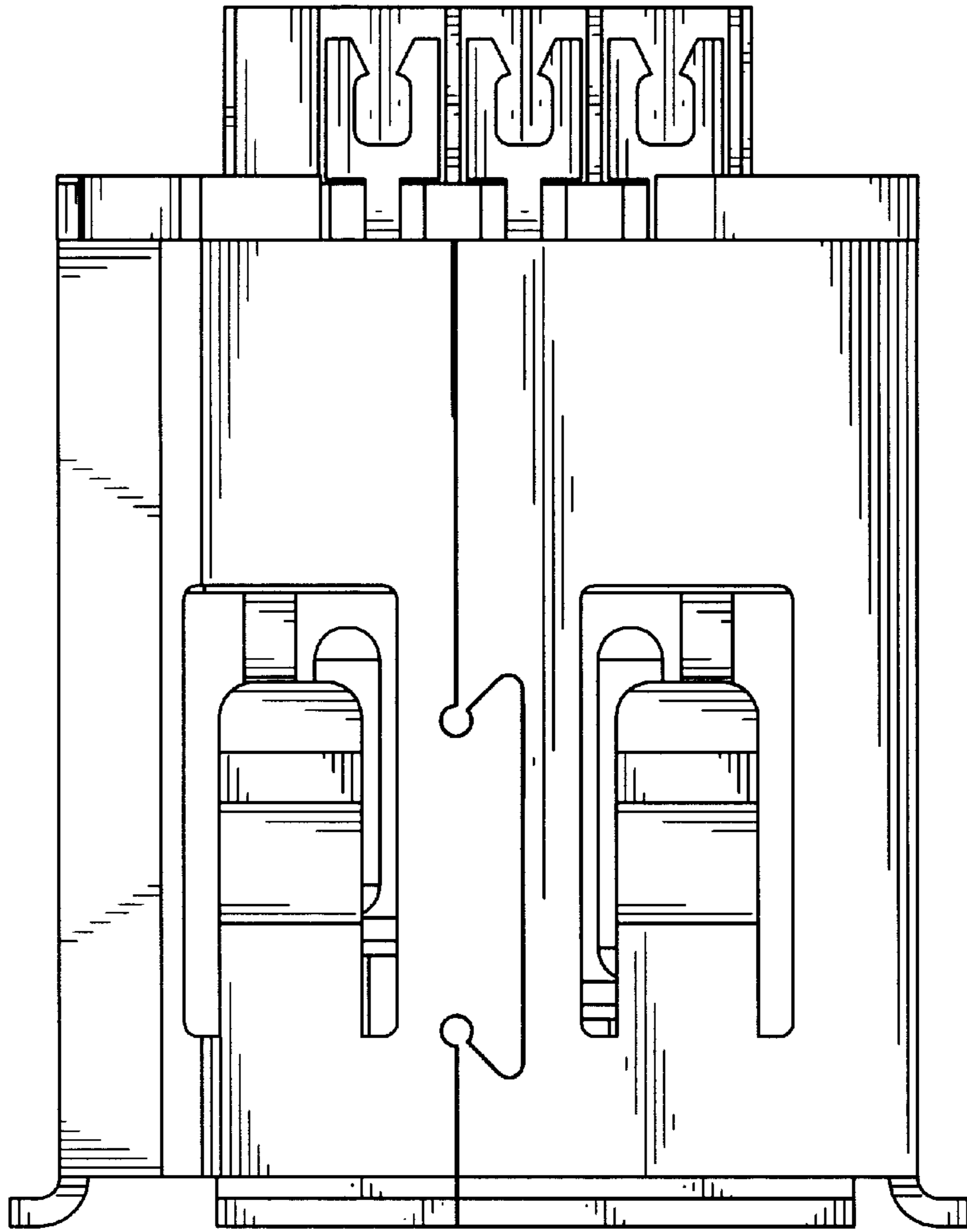


FIG. 7