



US00D416228S

United States Patent [19]
Yu

[11] **Patent Number: Des. 416,228**

[45] **Date of Patent: ** Nov. 9, 1999**

[54] **ELECTRICAL EXTENSION CORD OUTLET STRIP**

D. 366,865 2/1996 Stringer D13/142

[75] Inventor: **Chong-Fa Yu, Pan Chiao, Taiwan**

Primary Examiner—Joel Sincavage

[73] Assignee: **San Shih Electrical Enterprise Co., Ltd., Pan Chiao, Taiwan**

[57] **CLAIM**

[**] Term: **14 Years**

The ornamental design for an electrical extension cord outlet strip, as shown and described.

[21] Appl. No.: **29/054,143**

DESCRIPTION

[22] Filed: **May 7, 1996**

FIG. 1 is a perspective view of an electrical extension cord outlet strip showing my new design;

[51] **LOC (6) Cl. 13-03**

FIG. 2 is a front elevational view thereof;

[52] **U.S. Cl. D13/142**

FIG. 3 is a rear elevational view thereof;

[58] **Field of Search D13/142, 160;**

FIG. 4 is a left side elevational view thereof;

439/188, 650, 652

FIG. 5 is a right side elevational view thereof;

[56] **References Cited**

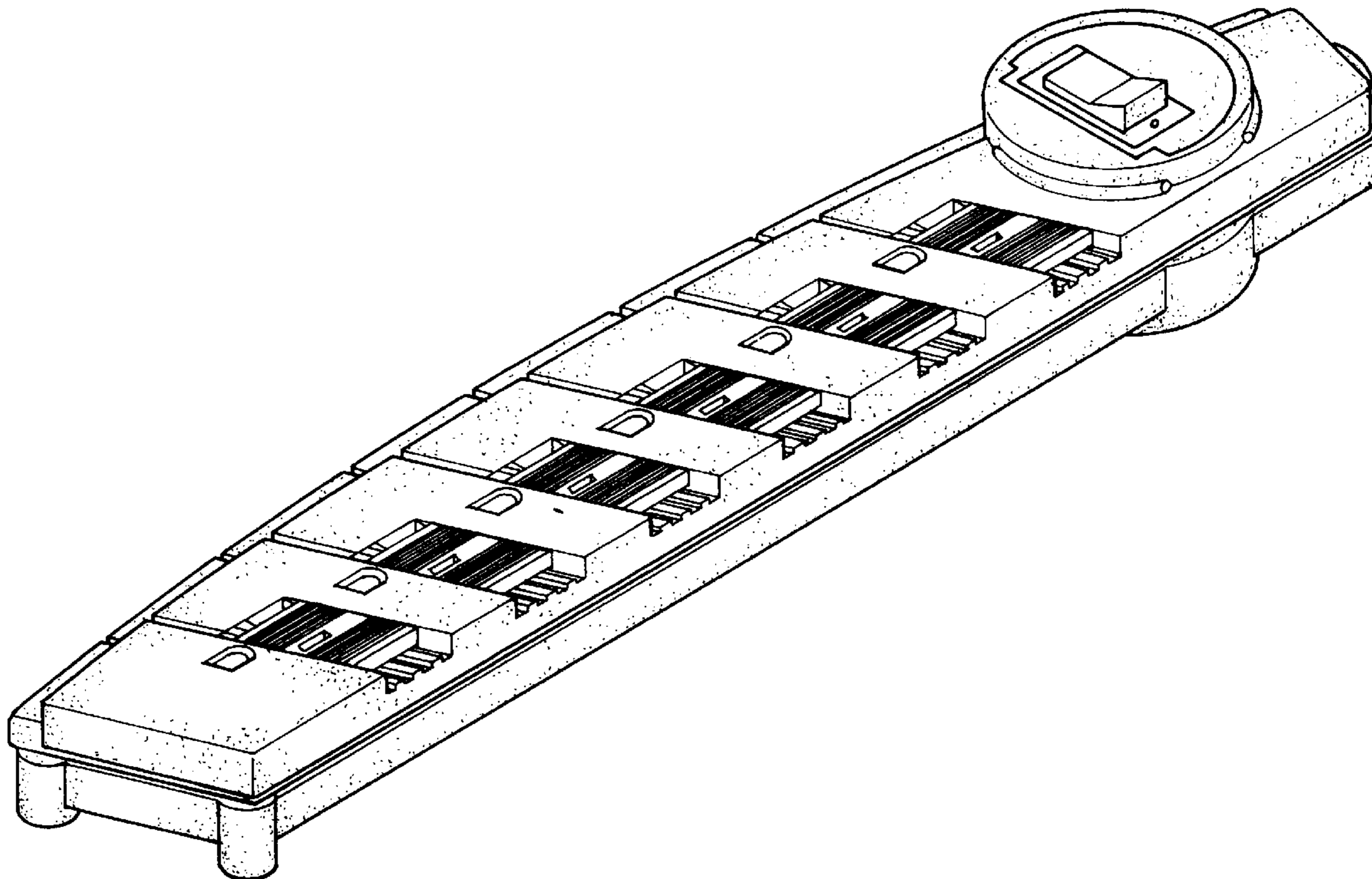
FIG. 6 is a top view thereof; and,

FIG. 7 is a bottom view thereof.

U.S. PATENT DOCUMENTS

D. 279,979 8/1985 Kovacik D13/142

1 Claim, 6 Drawing Sheets



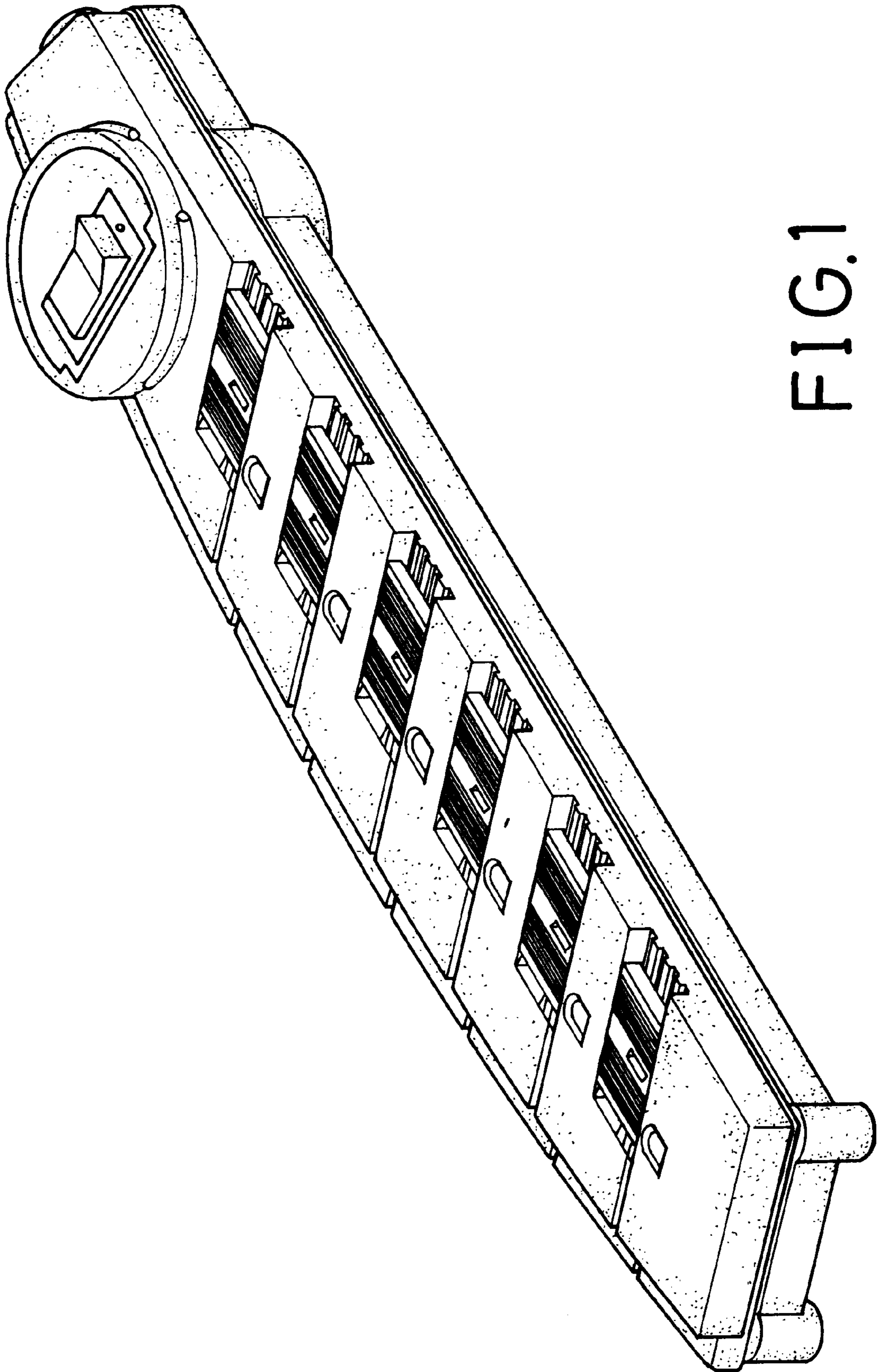


FIG. 1

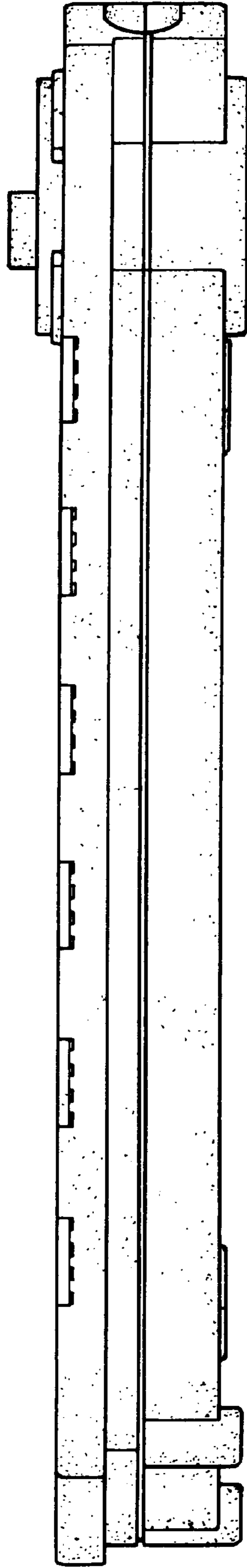


FIG. 2

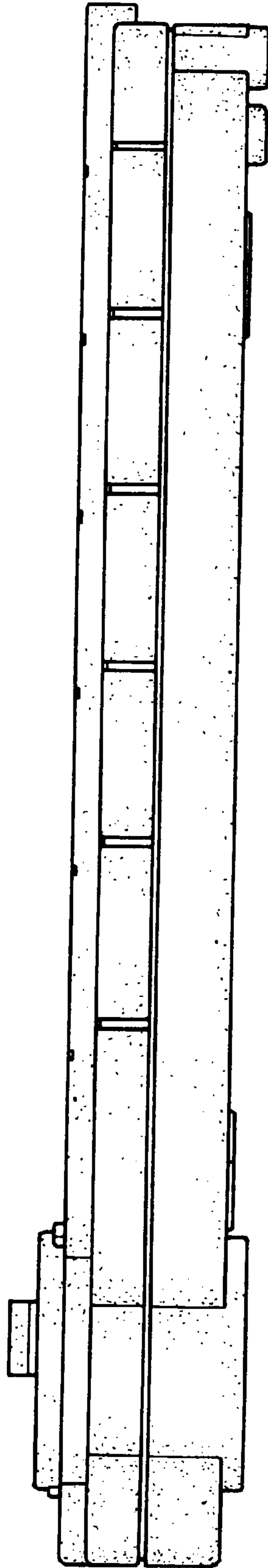


FIG. 3

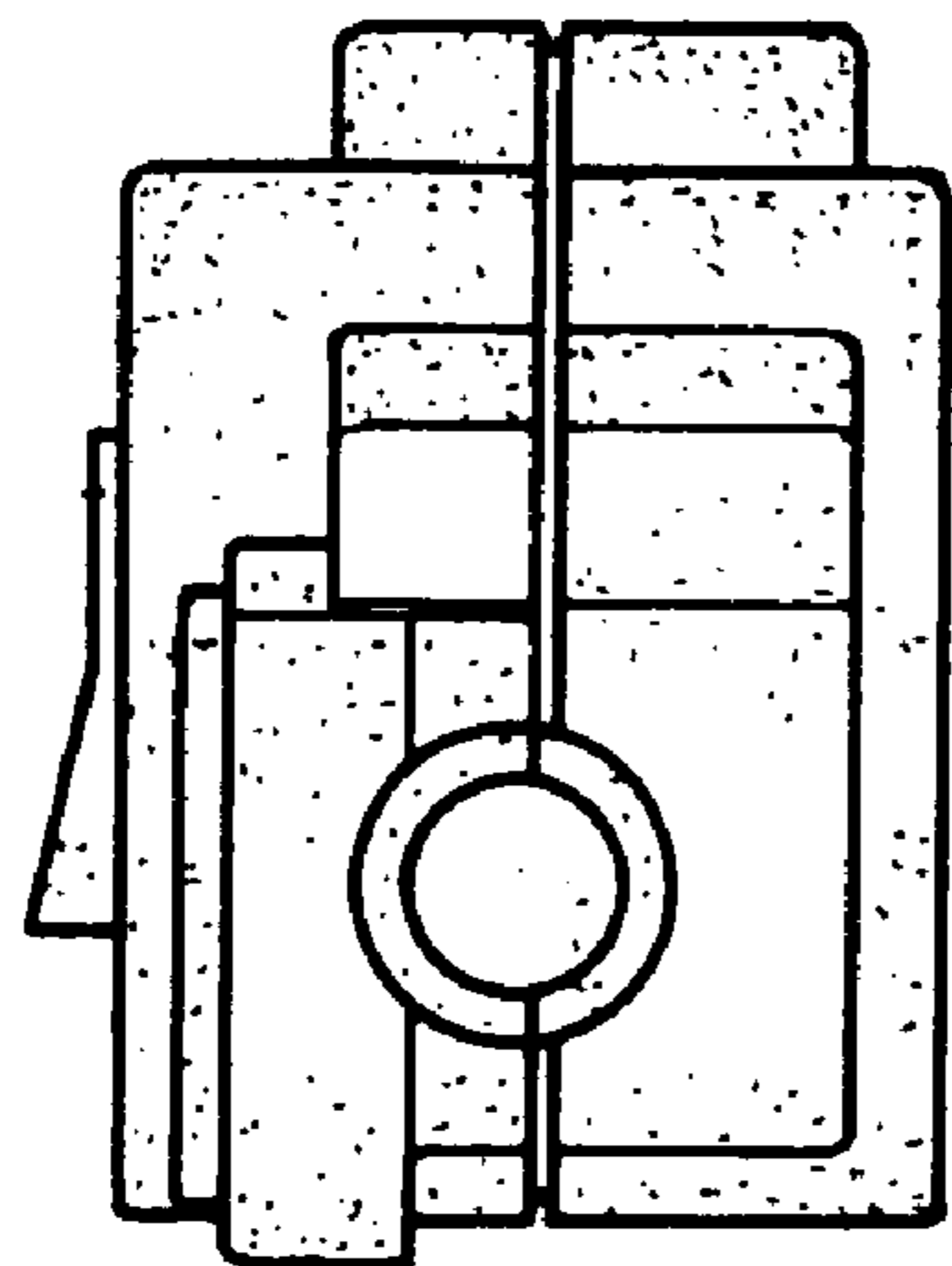


FIG. 4

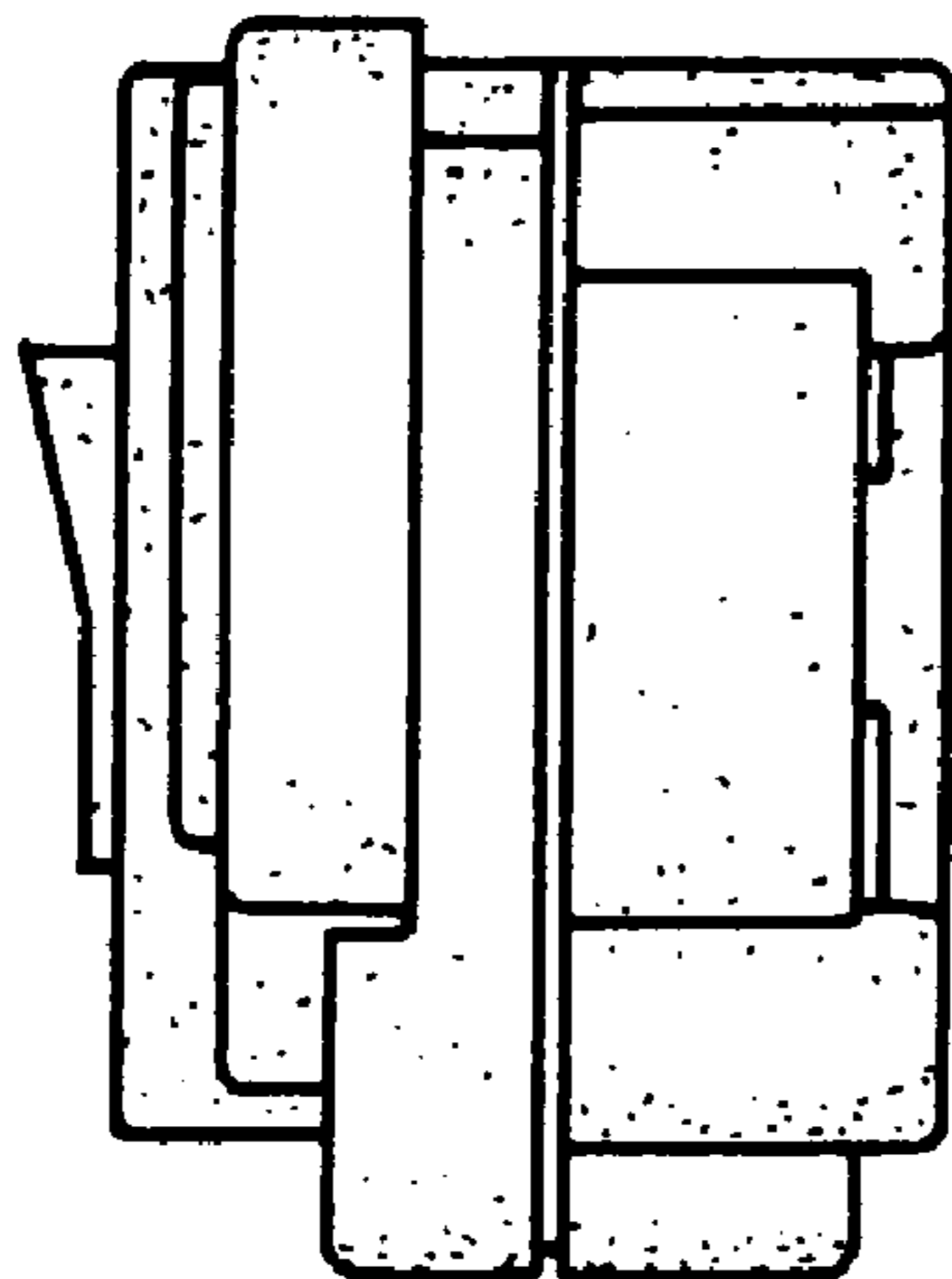


FIG. 5

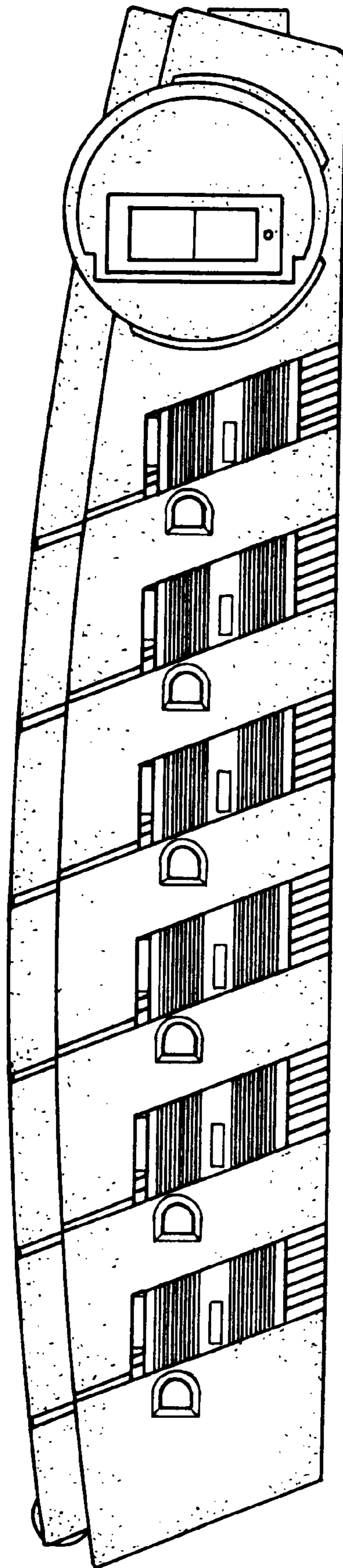


FIG. 6

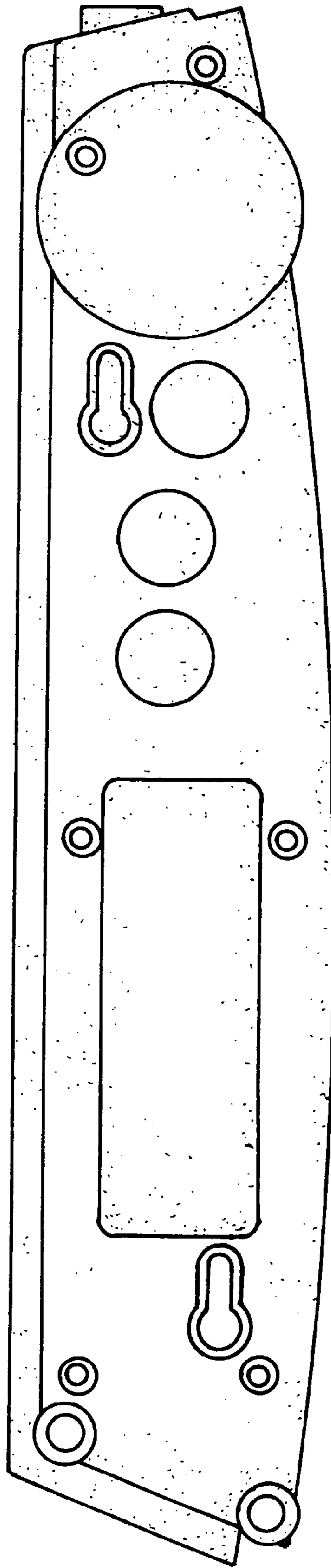


FIG. 7