



US00D416226S

United States Patent [19] Lohrding et al.

[11] Patent Number: **Des. 416,226**

[45] Date of Patent: **** Nov. 9, 1999**

[54] **POWER ADAPTOR**

[75] Inventors: **Bradley K. Lohrding**, Gurnee; **Jeffrey A. Walter**, Huntley, both of Ill.

[73] Assignee: **Motorola, Inc.**, Schaumburg, Ill.

[**] Term: **14 Years**

[21] Appl. No.: **29/088,234**

[22] Filed: **May 19, 1998**

[51] **LOC (6) Cl.** **13-02**

[52] **U.S. Cl.** **D13/110**

[58] **Field of Search** D13/110, 118,
D13/123; 307/66, 150; 336/92, 107; 363/97,
146

[56] **References Cited**

U.S. PATENT DOCUMENTS

D. 257,342	10/1980	Payne	D13/110
D. 338,188	8/1993	Lee et al.	D13/110
D. 350,113	8/1994	Nagele	.	
D. 357,224	4/1995	Nagele et al.	.	
D. 357,457	4/1995	Larson	.	
D. 367,257	2/1996	Buelow et al.	D13/110

D. 383,115	9/1997	Nagele et al.	.	
5,507,667	4/1996	Hahn et al.	.	
5,613,863	3/1997	Klaus et al.	.	
5,684,689	11/1997	Hahn	363/146

Primary Examiner—Joel Sincavage
Attorney, Agent, or Firm—Sylvia Chen

[57] **CLAIM**

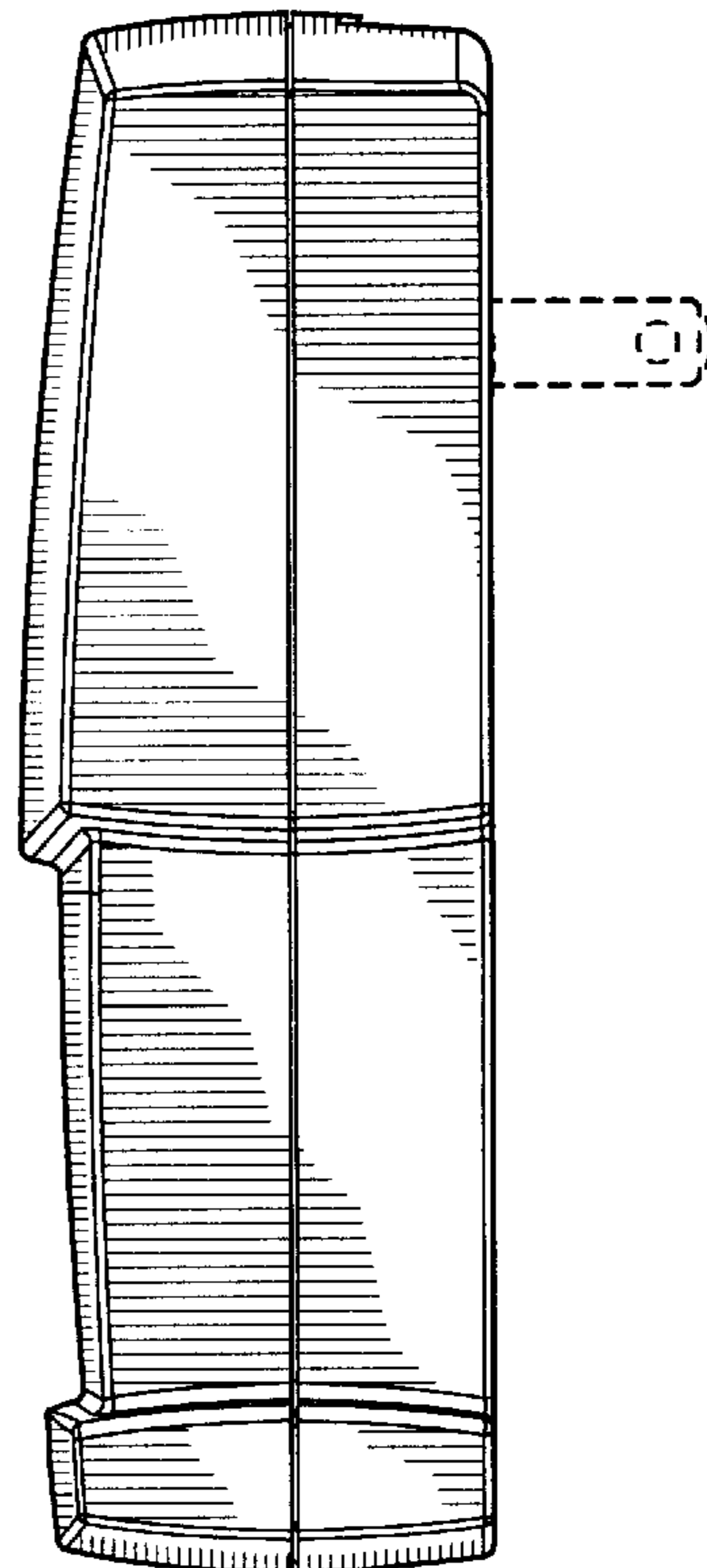
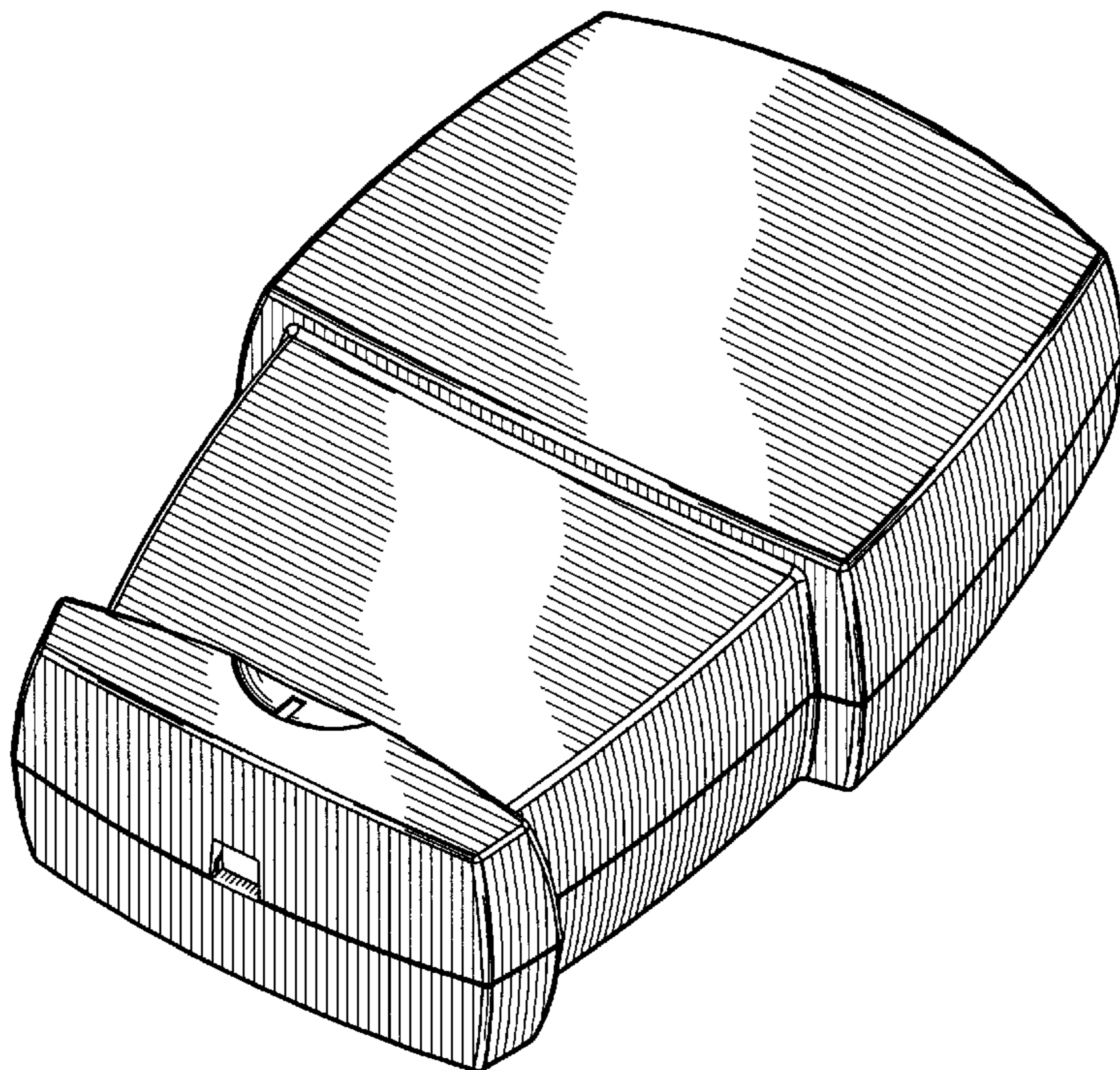
The ornamental design for a power adaptor, as shown and described.

DESCRIPTION

FIG. 1 is a front, bottom, and right perspective view of a first embodiment of a power adaptor;
FIG. 2 is a left side elevation view thereof;
FIG. 3 is a front elevation view thereof;
FIG. 4 is a bottom plan view thereof;
FIG. 5 is a top plan view thereof;
FIG. 6 is a right side elevation view thereof; and,
FIG. 7 is a rear elevation view thereof.

The broken line matter throughout the drawing figures is included for the purpose of illustrating the power adaptor only and forms no part of the claimed design.

1 Claim, 3 Drawing Sheets



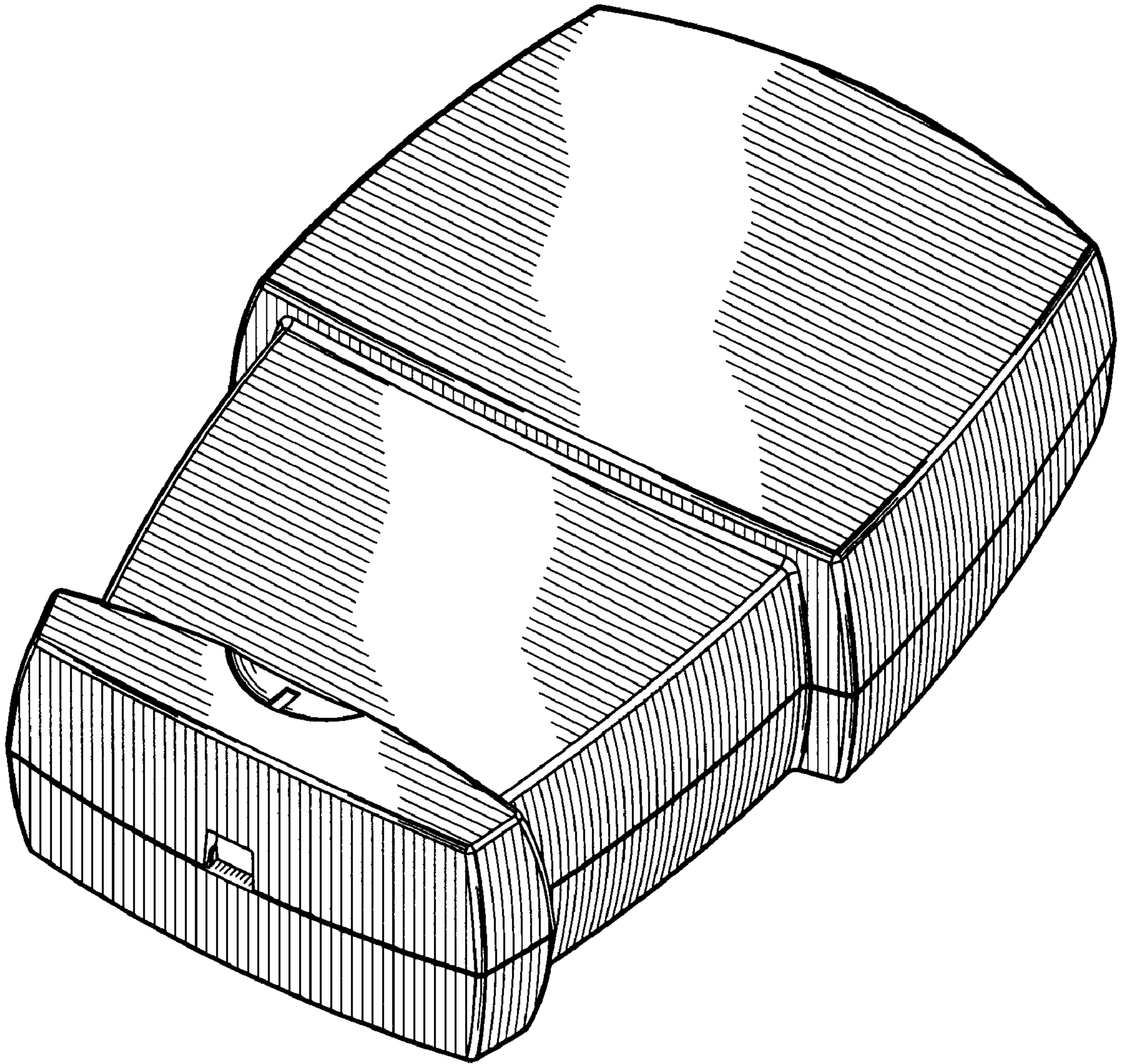


FIG. 1

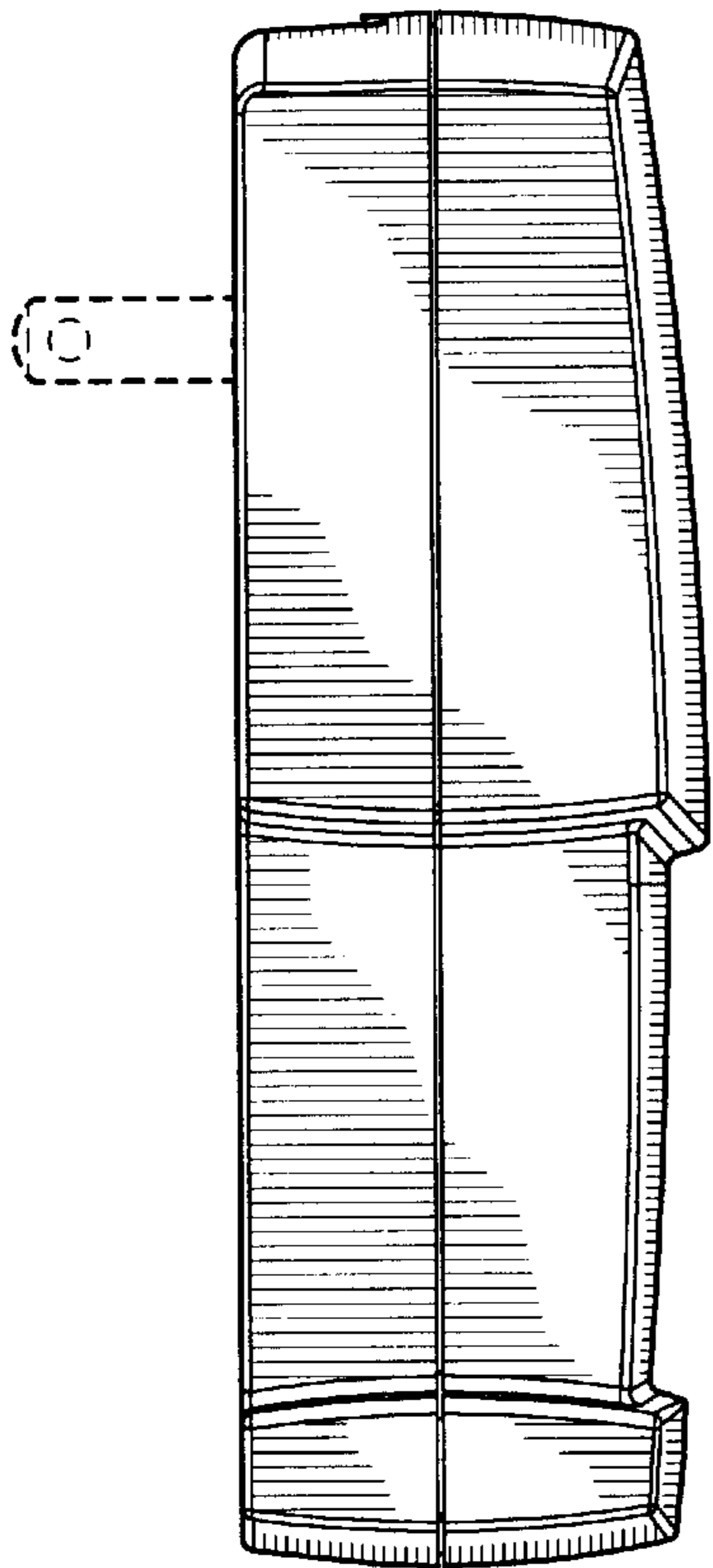


FIG. 2

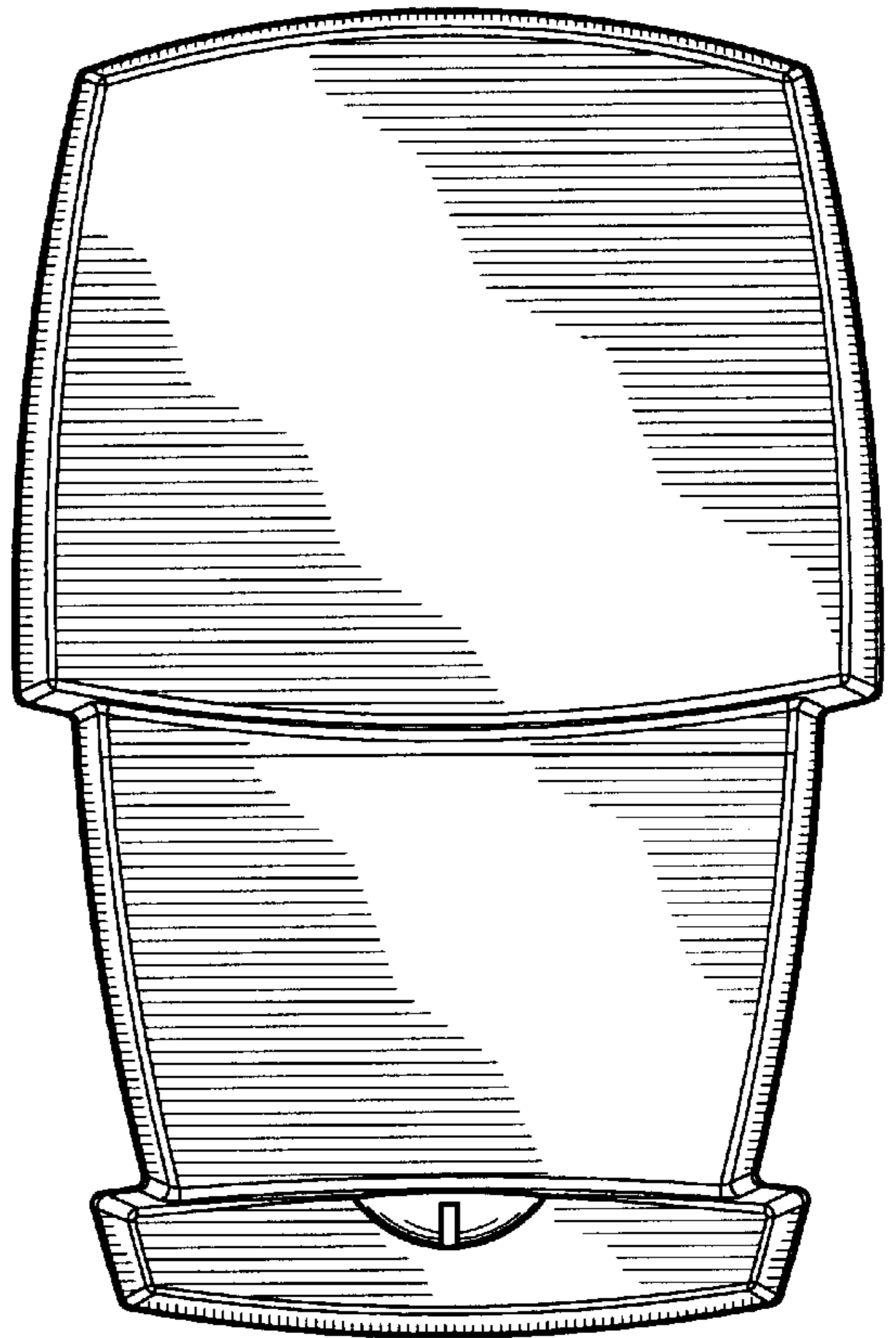


FIG. 3

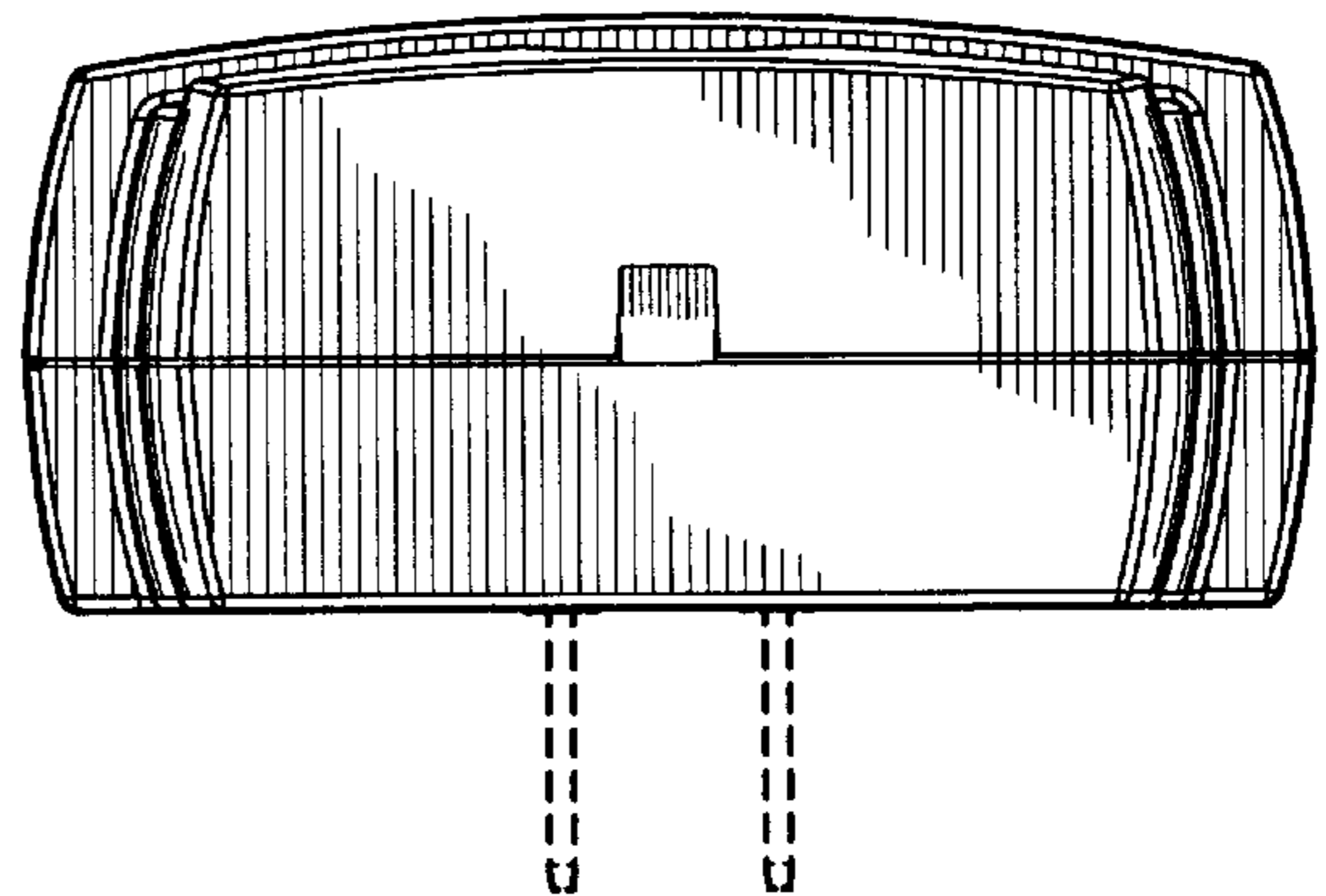


FIG. 4

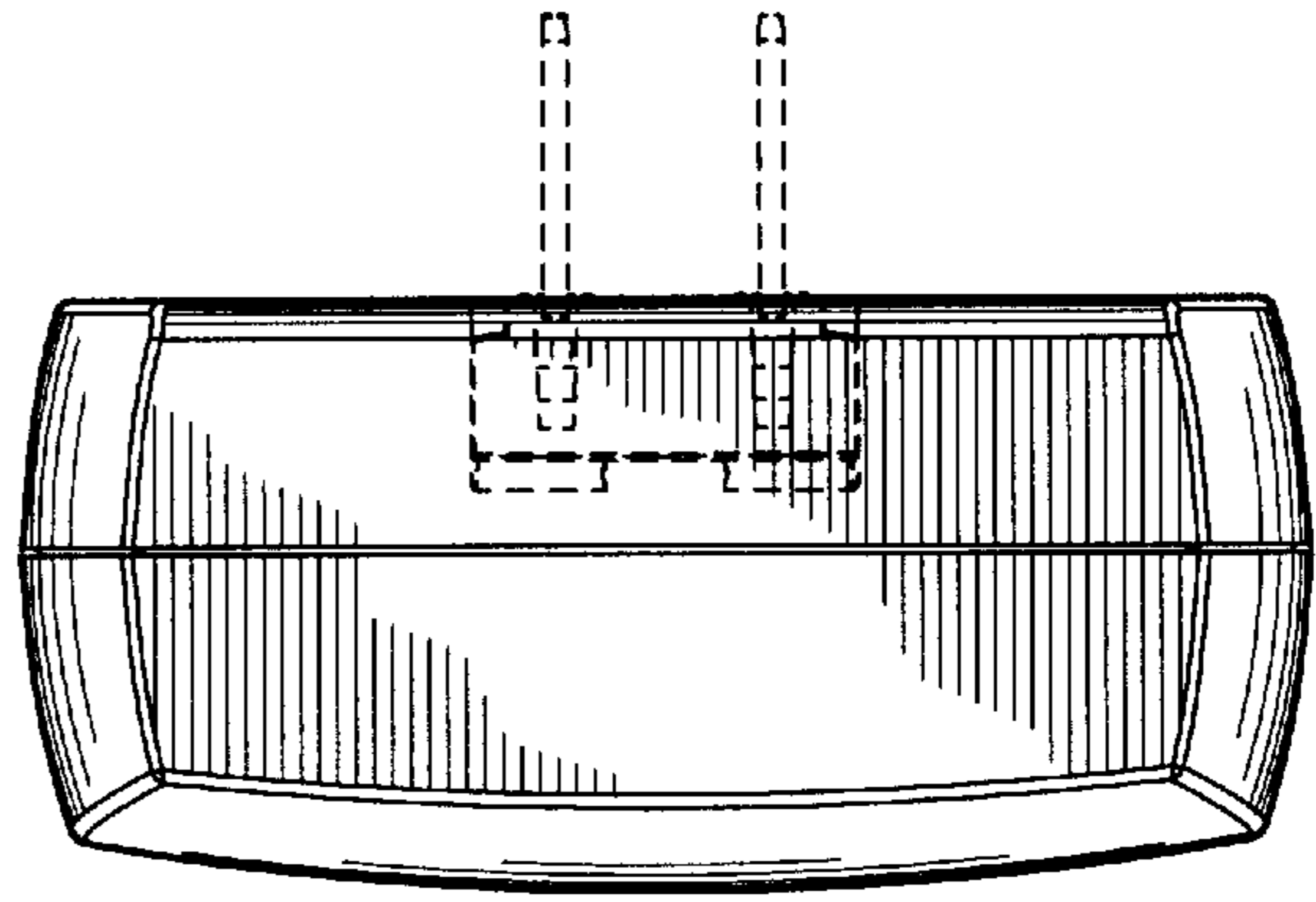


FIG. 5

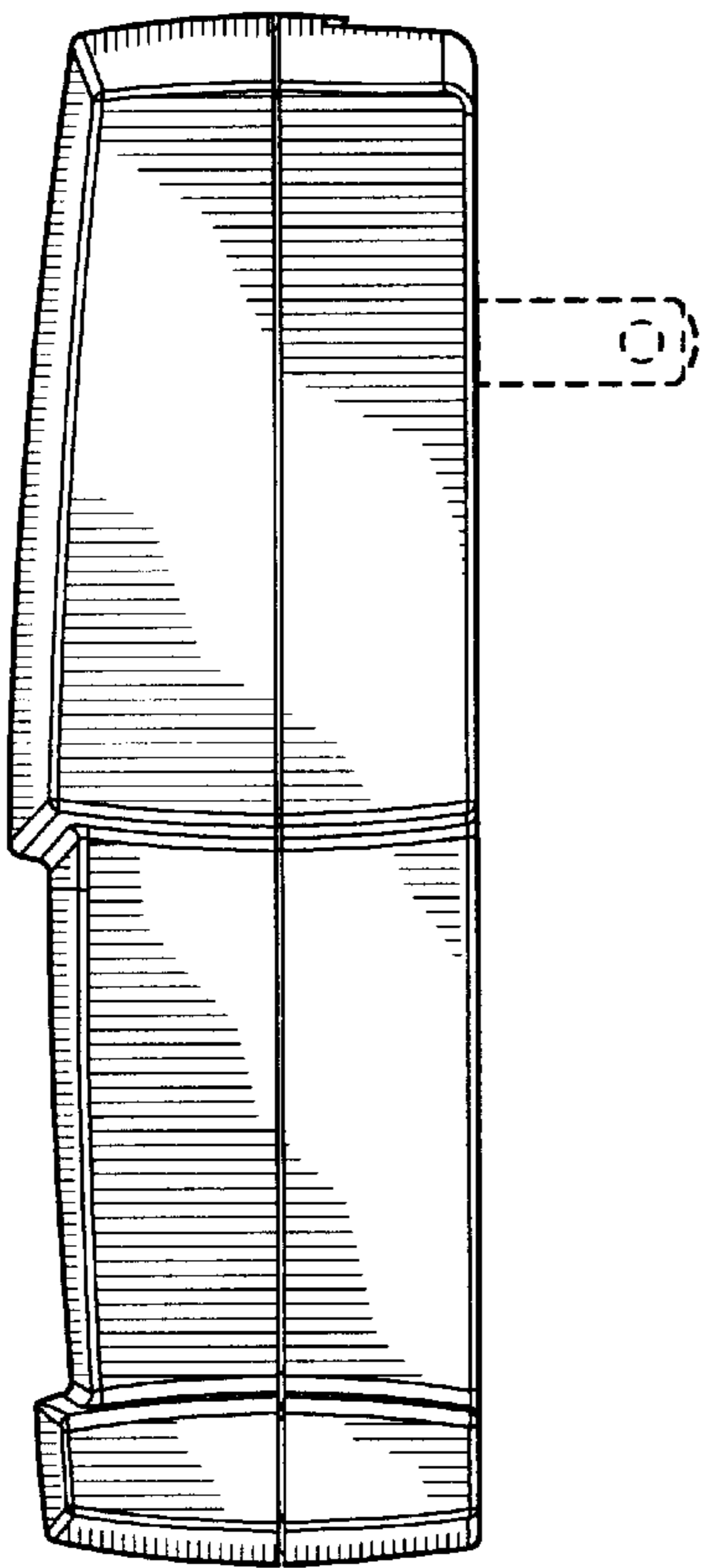


FIG. 6

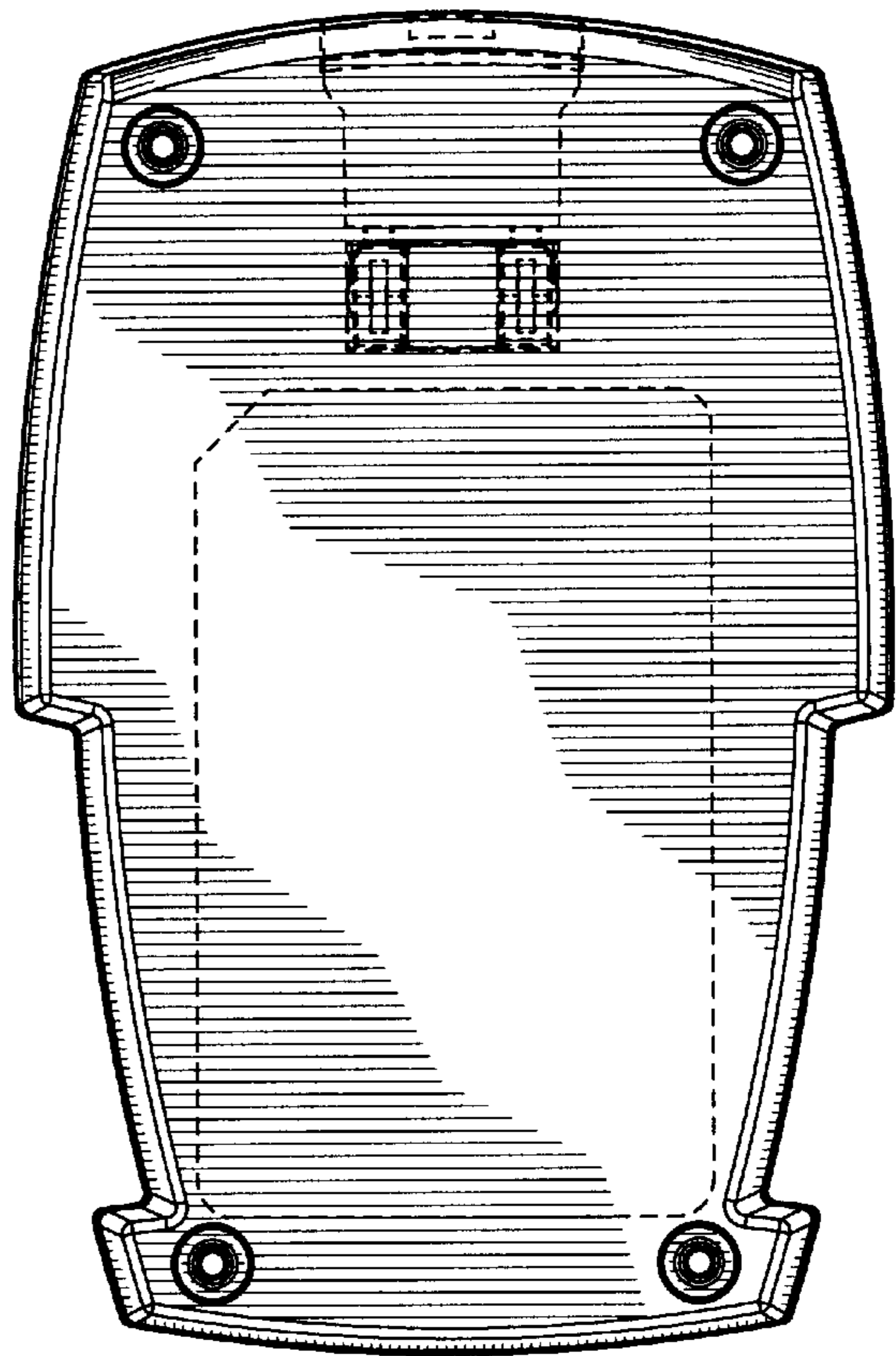


FIG. 7