



US00D416219S

United States Patent [19] Waagenaar

[11] **Patent Number: Des. 416,219**

[45] **Date of Patent: ** Nov. 9, 1999**

[54] **MOTOR VEHICLE GRILL GUARD**

5,215,343 6/1993 Fortune 293/121

[76] Inventor: **Gary D. Waagenaar**, 19806 Stagg St.,
Canoga Park, Calif. 91306

Primary Examiner—Melody N. Brown
Attorney, Agent, or Firm—Gerald L. Price

[**] Term: **14 Years**

[57] CLAIM

[21] Appl. No.: **29/103,846**

The ornamental design for a motor vehicle grill guard, as shown and described.

[22] Filed: **Apr. 14, 1999**

DESCRIPTION

[51] **LOC (6) Cl.** **12-16**

[52] **U.S. Cl.** **D12/171**

[58] **Field of Search** D12/171; 293/102,
293/103, 115, 117, 120, 121, 144

FIG. 1 is a front perspective view of a motor vehicle grill guard showing my new design mounted on an exemplary motor vehicle depicted in broken lines;
FIG. 2 is a front elevational view thereof;
FIG. 3 is a right side elevational view thereof, with the left side being a mirror image thereto;
FIG. 4 is a rear elevational view thereof;
FIG. 5 is a top elevational view thereof; and,
FIG. 6 is a bottom elevational view thereof.

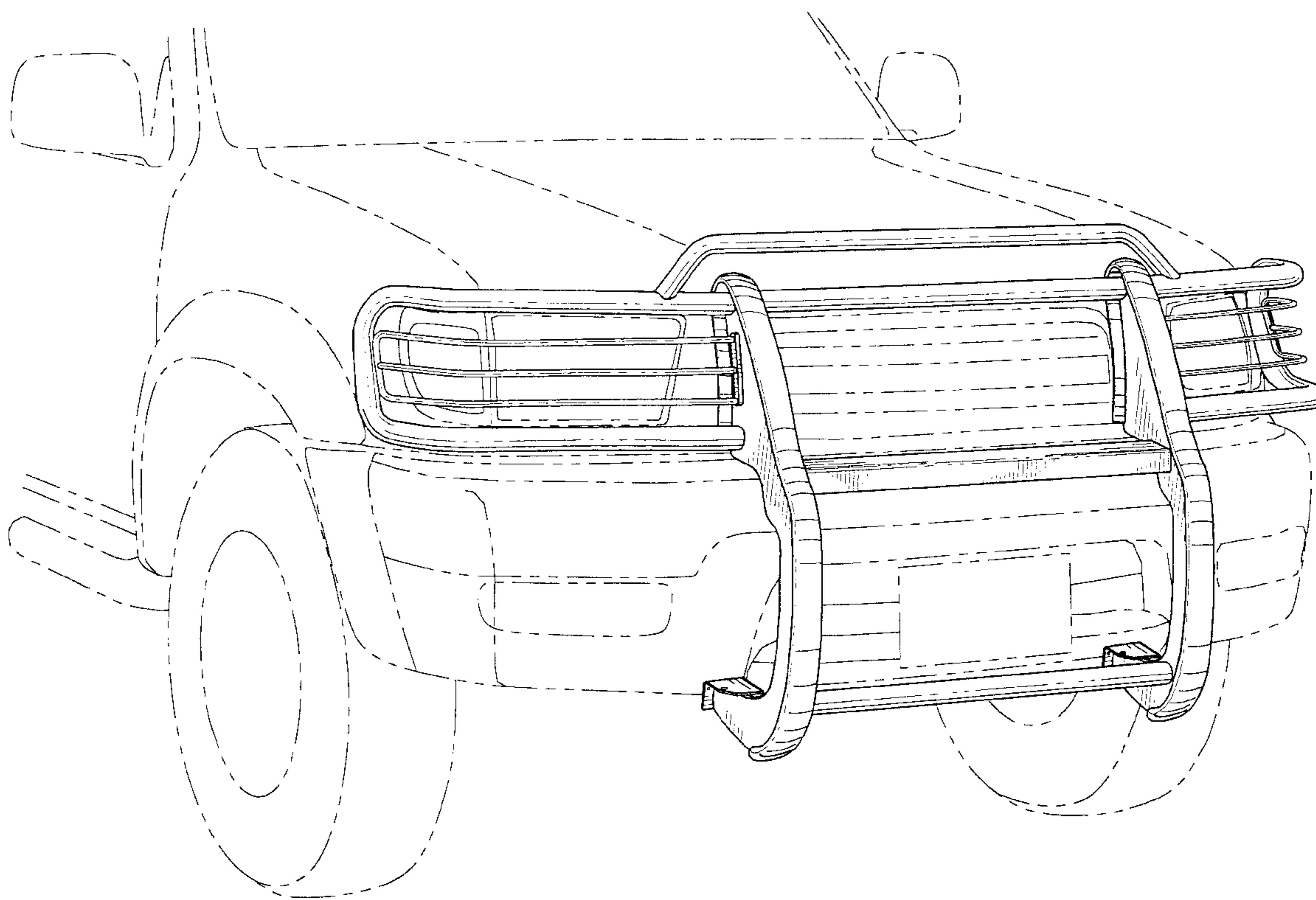
[56] References Cited

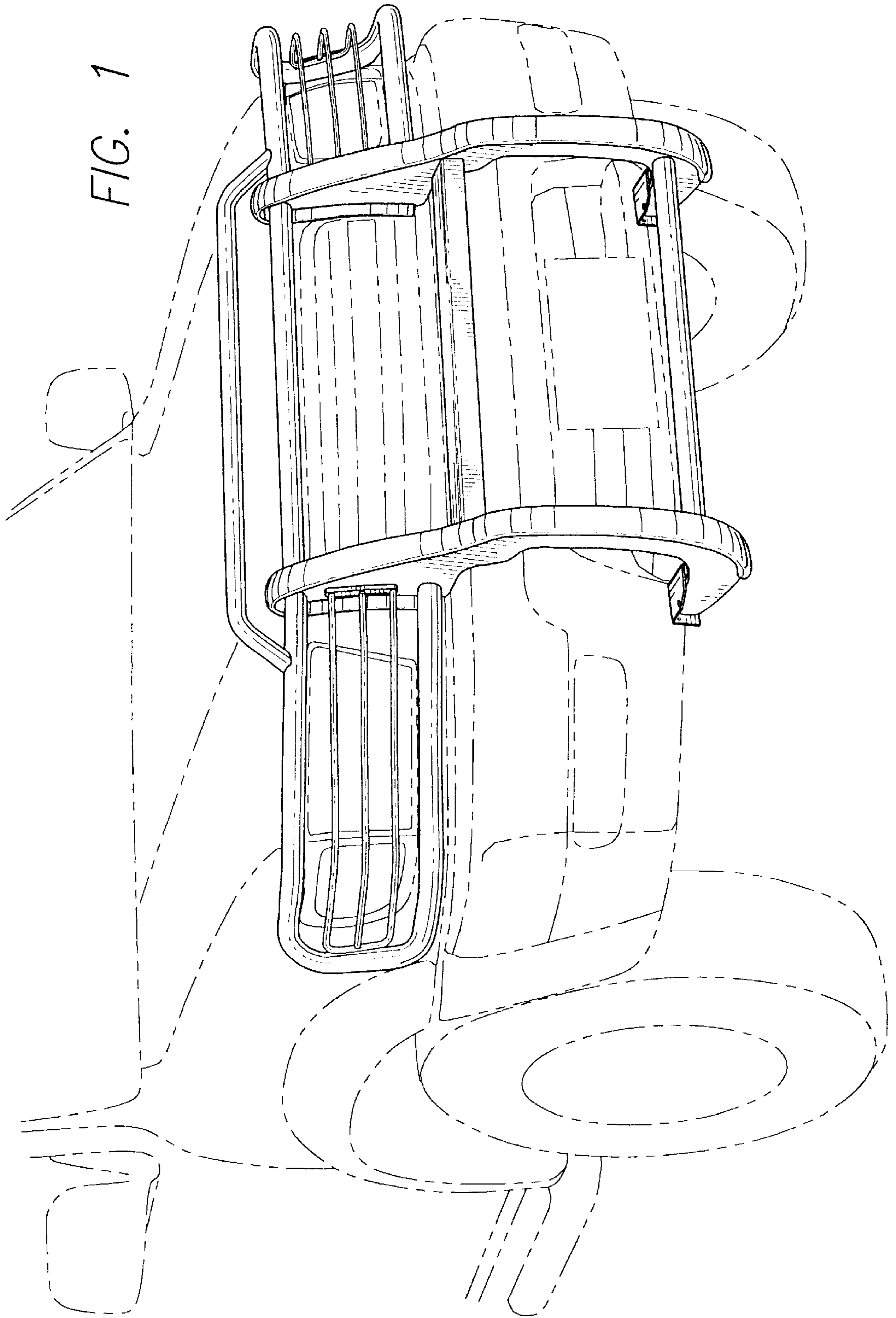
U.S. PATENT DOCUMENTS

D. 361,316	8/1995	Orth, Sr. et al.	D12/171
D. 383,719	9/1997	Thorne et al.	D12/171
D. 384,625	10/1997	Thorne et al.	D12/171
D. 388,042	12/1997	Thorne et al.	D12/171
D. 396,678	8/1998	Shklyover	D12/171
D. 490,879	6/1999	Orth, Sr.	D12/171

The broken lines are shown for illustrative purposes only and form no part of the claimed design.

1 Claim, 6 Drawing Sheets





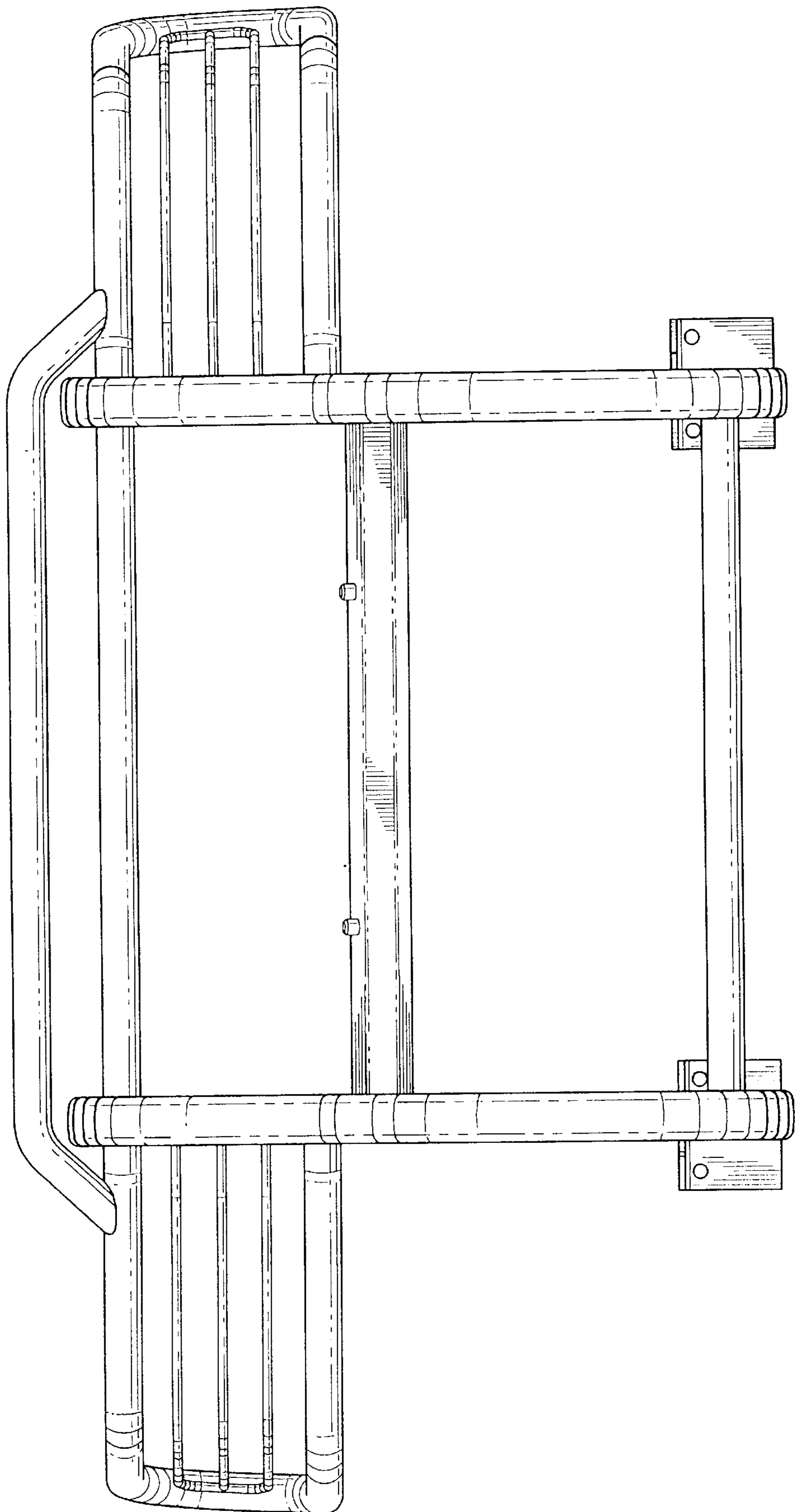


FIG. 2

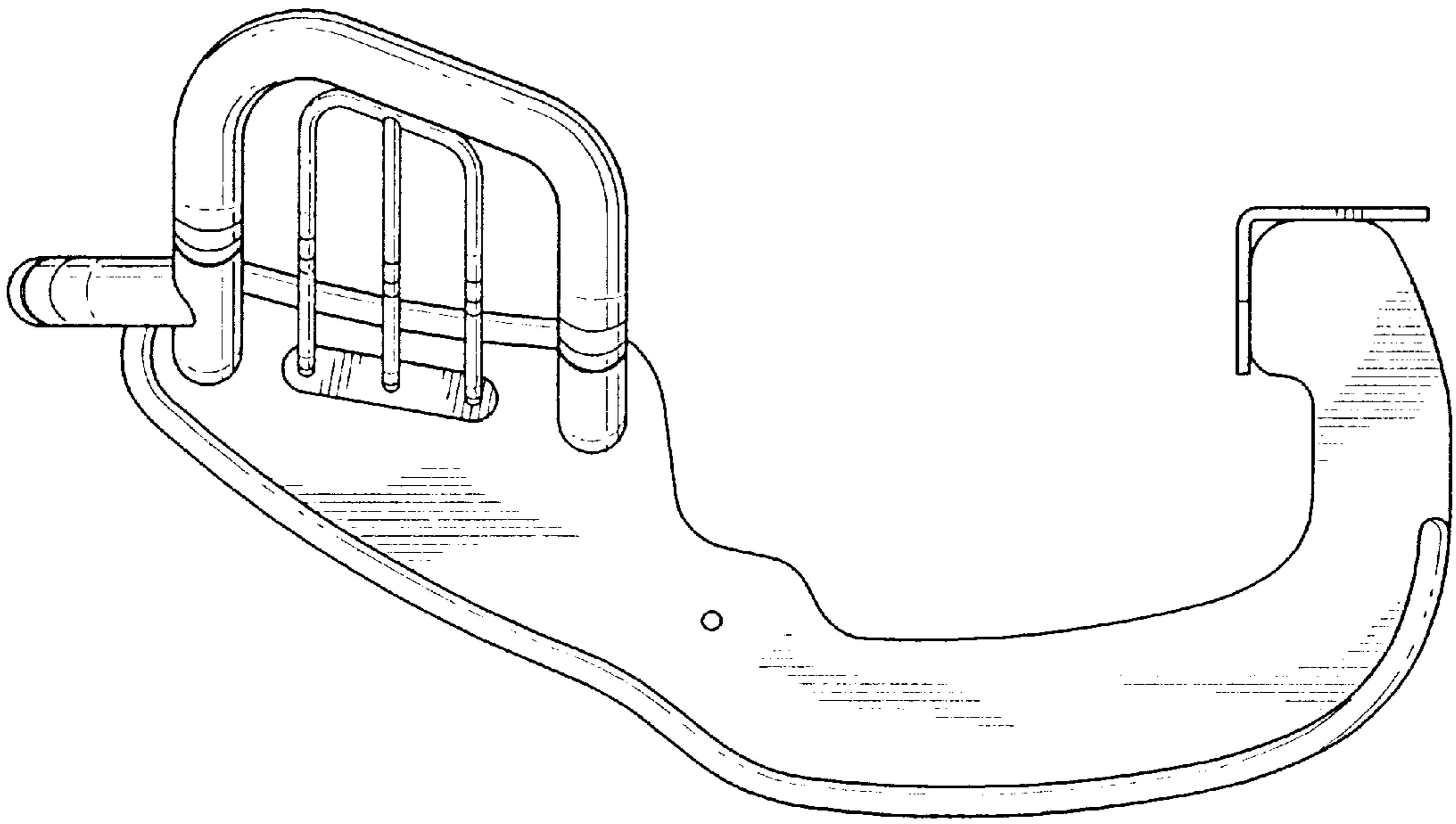


FIG. 3

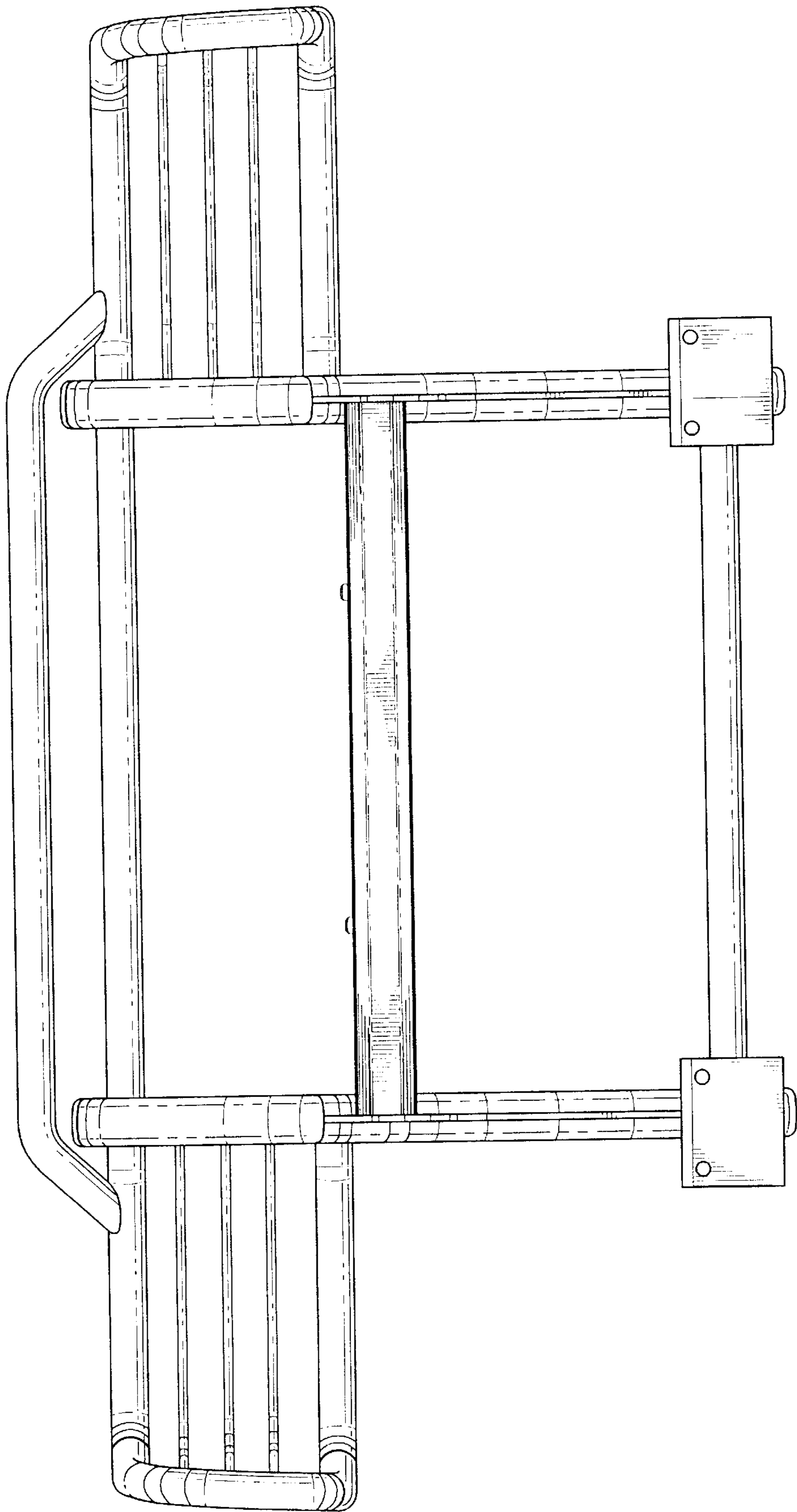


FIG. 4

FIG. 5

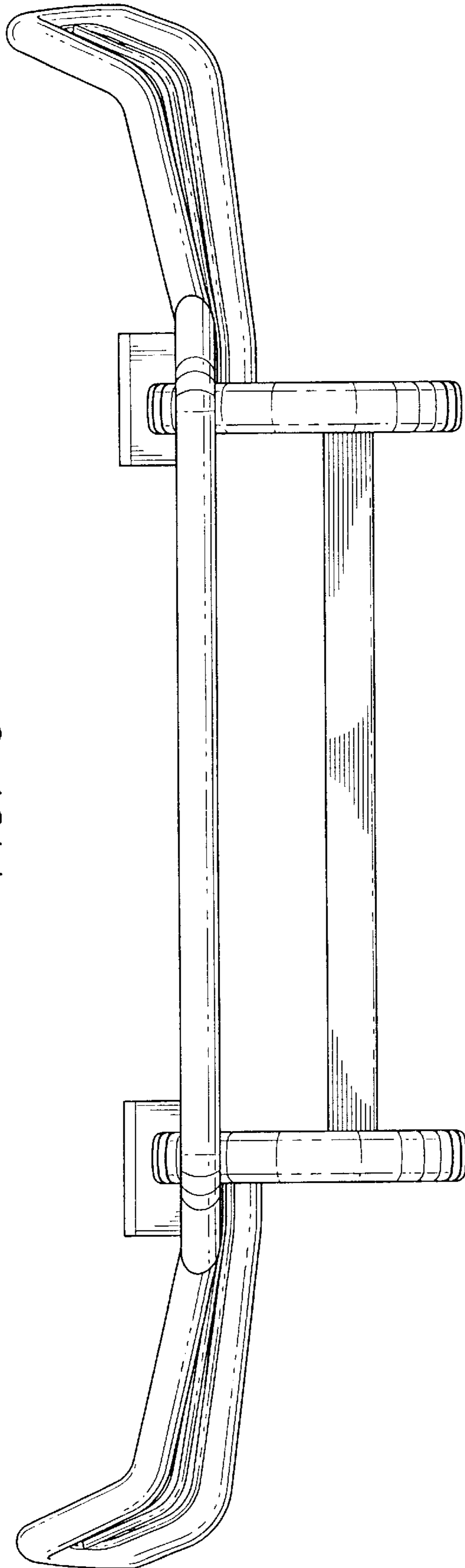


FIG. 6

