



US00D416217S

United States Patent [19]

Guspodin et al.

[11] Patent Number: **Des. 416,217**

[45] Date of Patent: **** Nov. 9, 1999**

[54] **TIRE TREAD**

D. 390,517 2/1998 Guspodin et al. D12/147
D. 390,820 2/1998 Guspodin et al. D12/147

[75] Inventors: **James G. Guspodin; Peter Malenkovic**, both of Akron, Ohio

Primary Examiner—Robert M. Spear
Attorney, Agent, or Firm—D. A. Thomas

[73] Assignee: **Bridgestone/Firestone Research, Inc.**, Akron, Ohio

[57] **CLAIM**

[**] Term: **14 Years**

The ornamental design for a tire tread, as shown and described.

[21] Appl. No.: **29/094,414**

DESCRIPTION

[22] Filed: **Oct. 1, 1998**

[51] **LOC (6) Cl.** **12-15**

[52] **U.S. Cl.** **D12/147**

[58] **Field of Search** D12/136-152;
152/209.1, 209.8, 209.9, 209.11, 209.12,
209.13, 209.16, 209.18, 209.19, 209.21,
209.28, 900, 901, 902, 903

FIG. 1 is a side perspective view of a tire tread showing our new design, it being understood that the tread pattern is repeated throughout the circumference of the tire tread, the opposite side being the same as that shown; FIG. 2 is a front elevational view thereof; FIG. 3 is a side elevational view of the right side thereof, the opposite side being identical thereto; and, FIG. 4 is an enlarged fragmentary front elevational view thereof.

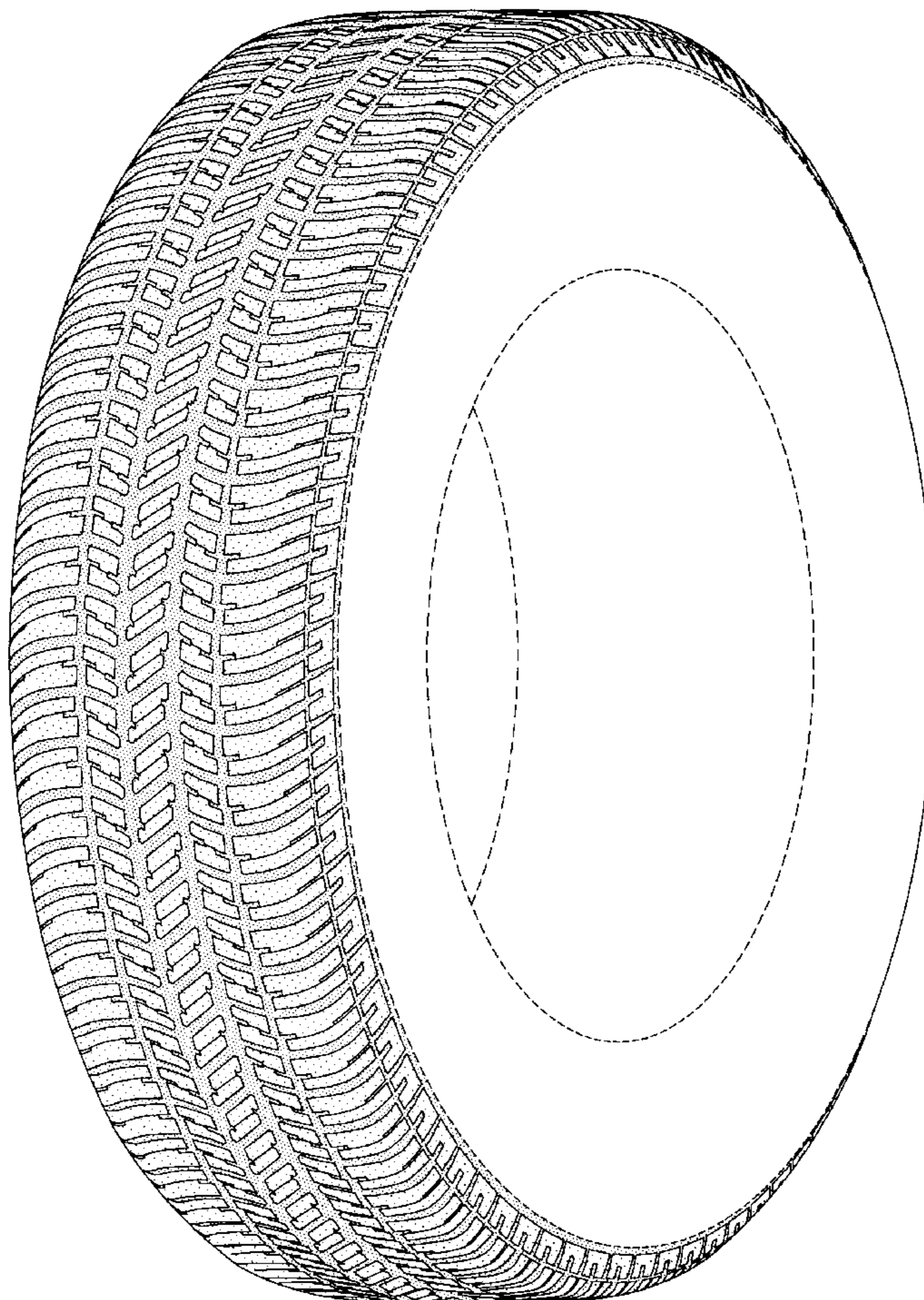
[56] References Cited

U.S. PATENT DOCUMENTS

D. 309,441	7/1990	Sakuno	D12/147
D. 350,094	8/1994	Anderson et al.	D12/147
D. 360,859	8/1995	attinello et al.	D12/147
D. 369,768	5/1996	Wakamatsu et al.	D12/147
D. 377,330	1/1997	Takegawa et al.	D12/147

The dark stippled surface shading represents the recessed portion of the tread grooves, having a depth as best shown in FIG. 2; the broken lines defining the tire sidewall and inner bead and the peripheral boundary between the tire tread and sidewall are for illustrative purposes only and form no part of the claimed design.

1 Claim, 4 Drawing Sheets



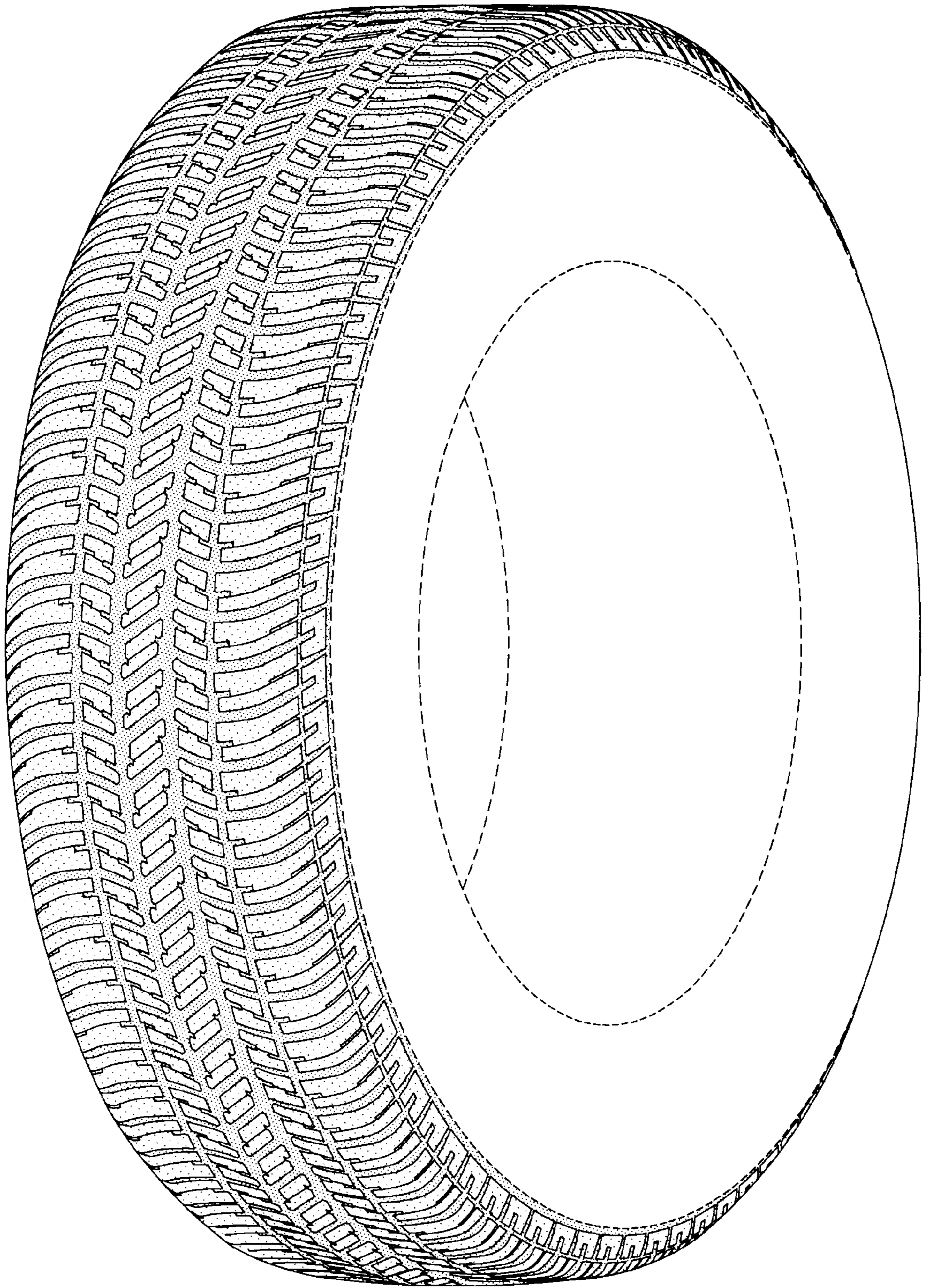


FIG-1

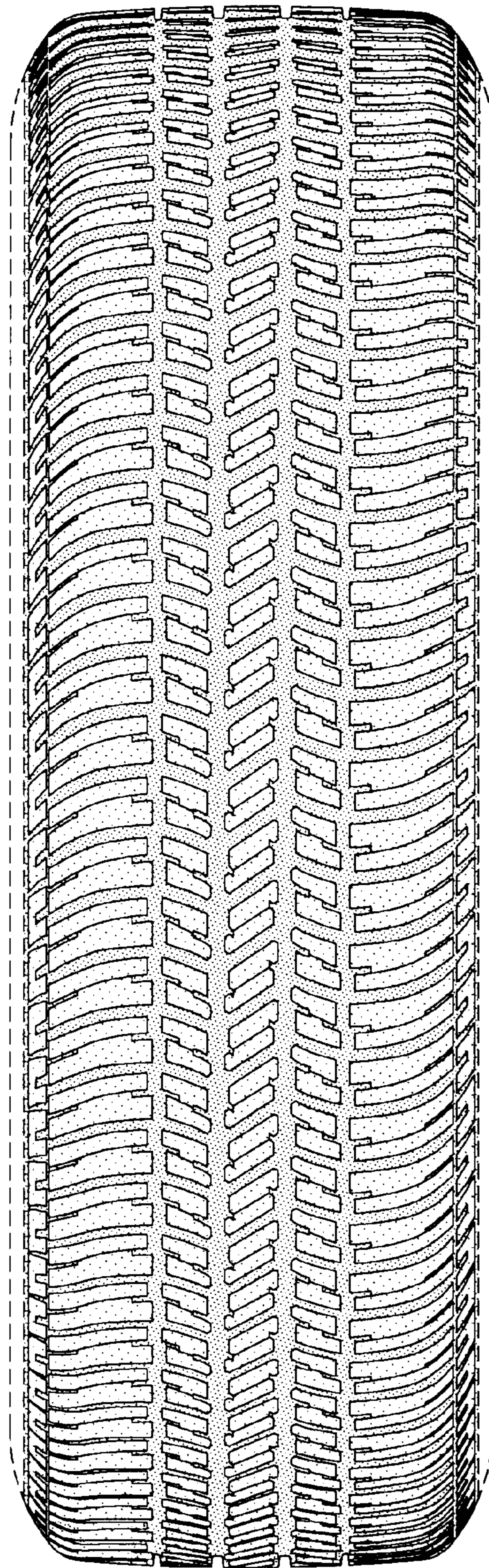


FIG-2

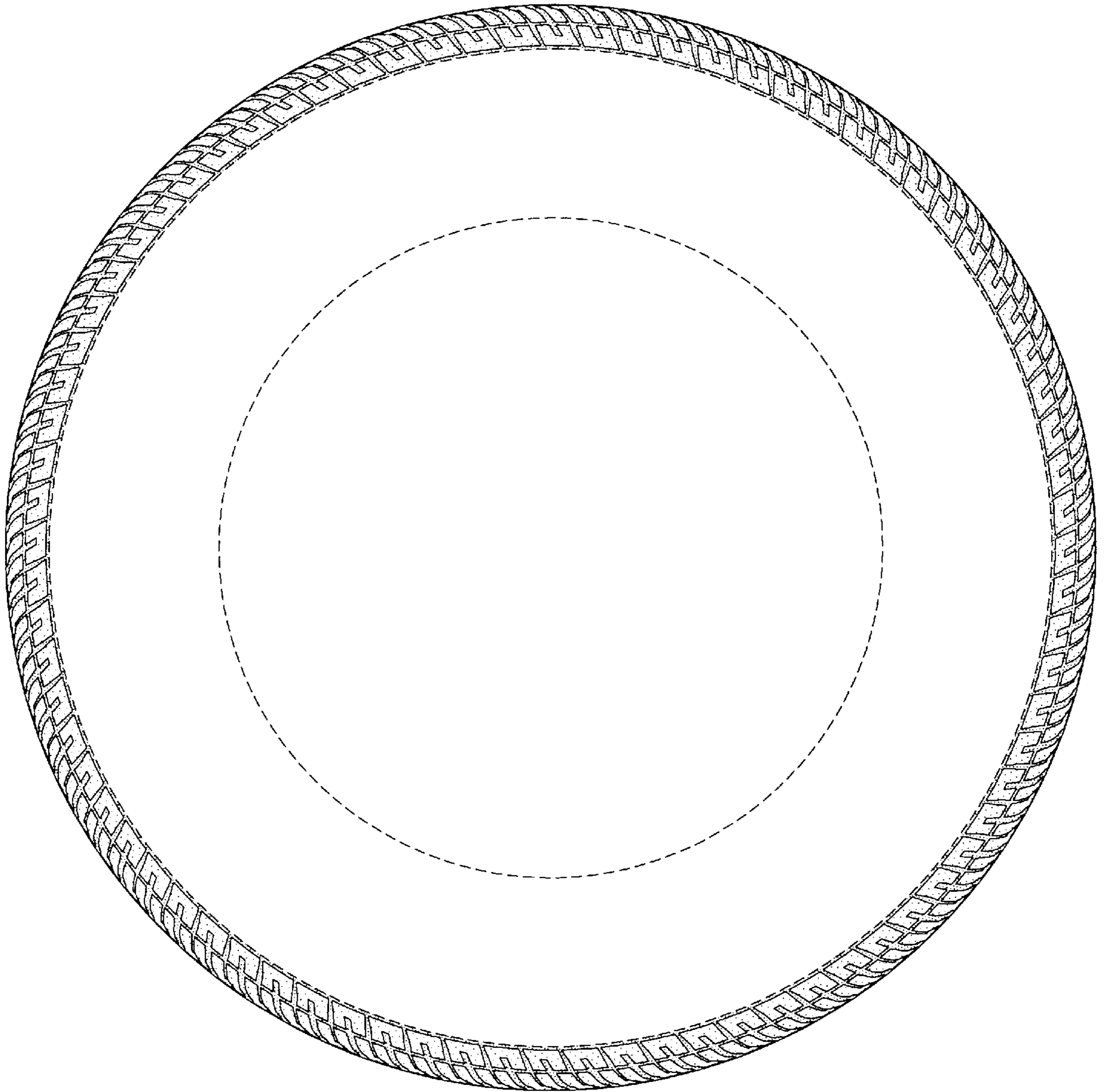


FIG-3

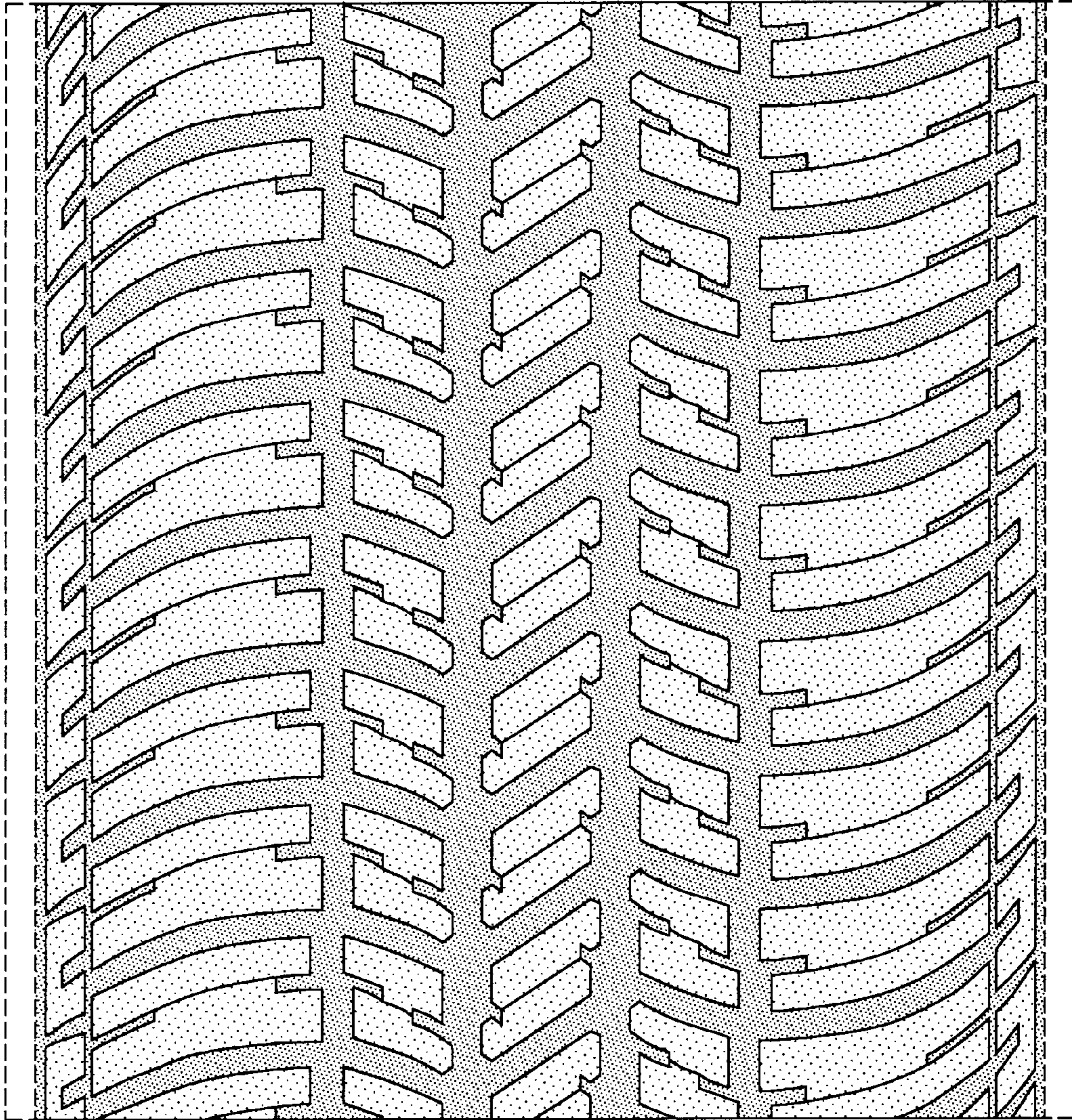


FIG-4