



US00D416214S

United States Patent [19] Conner

[11] Patent Number: **Des. 416,214**

[45] Date of Patent: **** Nov. 9, 1999**

[54] **TWO-PART FLOWER VASE**

[76] Inventor: **Patricia Conner**, 4419 Roma Ct.,
Marina del Rey, Calif. 90292

[**] Term: **14 Years**

[21] Appl. No.: **29/102,403**

[22] Filed: **Mar. 24, 1999**

[51] **LOC (6) Cl.** **11-02**

[52] **U.S. Cl.** **D11/143**

[58] **Field of Search** D11/143-156;
D6/403; 47/65.5, 66.1, 66.3, 67, 41.01;
248/27.3; 206/423

1,499,473	7/1924	Price	47/67
1,683,271	9/1928	Thompson et al. .	
2,813,619	11/1957	Gerwin .	
3,747,279	7/1973	Linder .	
4,708,256	11/1987	Intardonato .	
4,847,741	7/1989	Boettinger .	

Primary Examiner—Doris V. Coles
Assistant Examiner—Linda Brooks
Attorney, Agent, or Firm—Oppenheimer Wolff & Donnelly
LLP

[57] CLAIM

The ornamental design for a two-part flower vase, as shown and described.

DESCRIPTION

FIG. 1 is a front perspective view of a design for a two-part flower vase showing my new design;
FIG. 2 is an exploded perspective view thereof;
FIG. 3 is a top plan view thereof on a reduced scale;
FIG. 4 is a rear elevational view of FIG. 3, the front elevational view being a mirror image thereof;
FIG. 5 is a right side elevational view of FIG. 3, the left side elevational view being a mirror image thereof; and,
FIG. 6 is a bottom plan view of FIG. 3.

[56] References Cited

U.S. PATENT DOCUMENTS

60,174	1/1866	Saito .	
D. 226,279	2/1973	Byerly .	
D. 278,521	4/1985	Baird et al.	D11/153
D. 382,511	8/1997	Azarian .	
D. 383,417	9/1997	Davis	D11/152
D. 393,816	4/1998	Conner	D11/143
D. 405,027	2/1999	McElwain et al.	D11/152
D. 409,520	5/1999	Conner	D11/143
585,486	6/1897	Snow .	
949,452	2/1910	Smith, Jr. .	

1 Claim, 3 Drawing Sheets

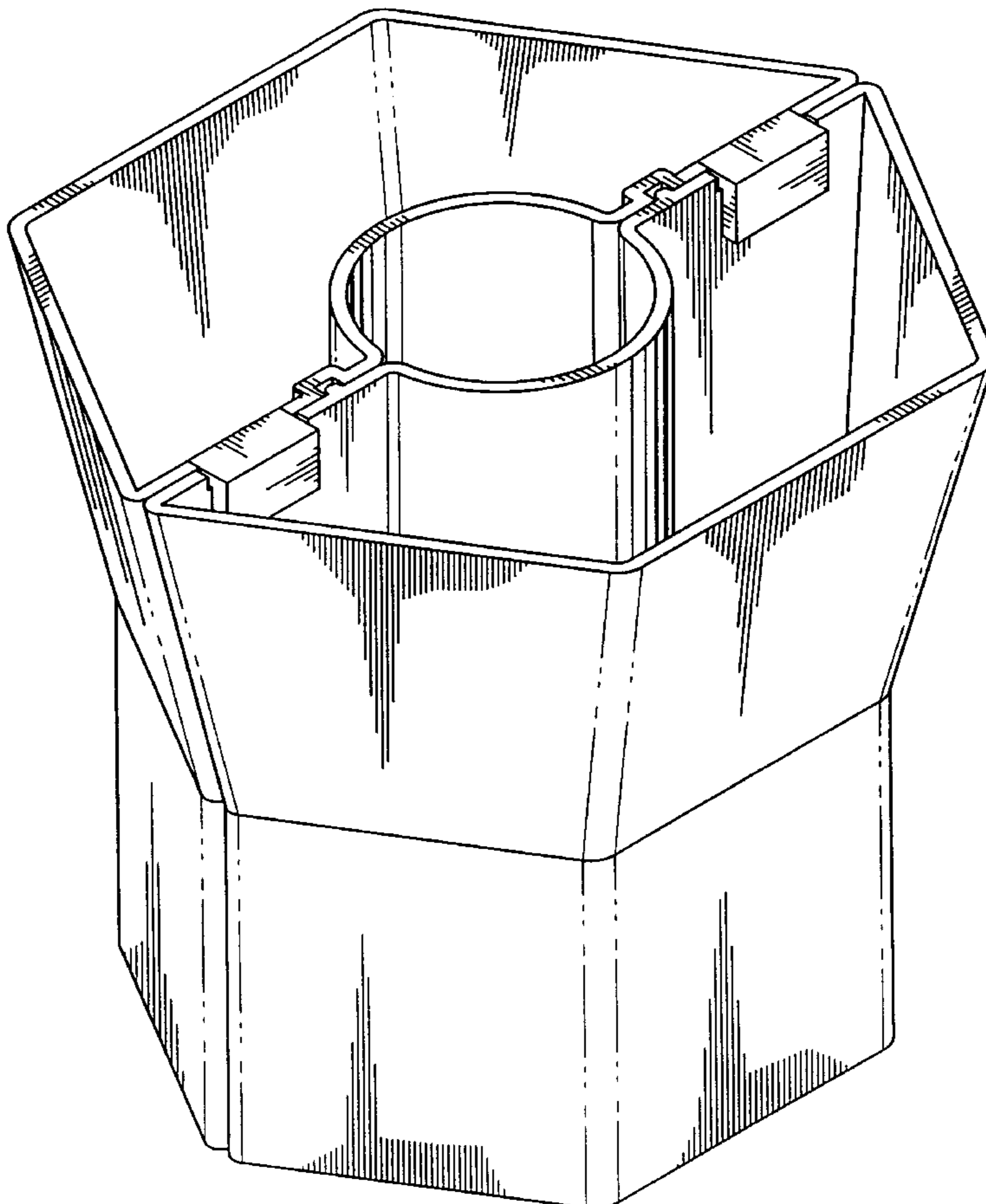
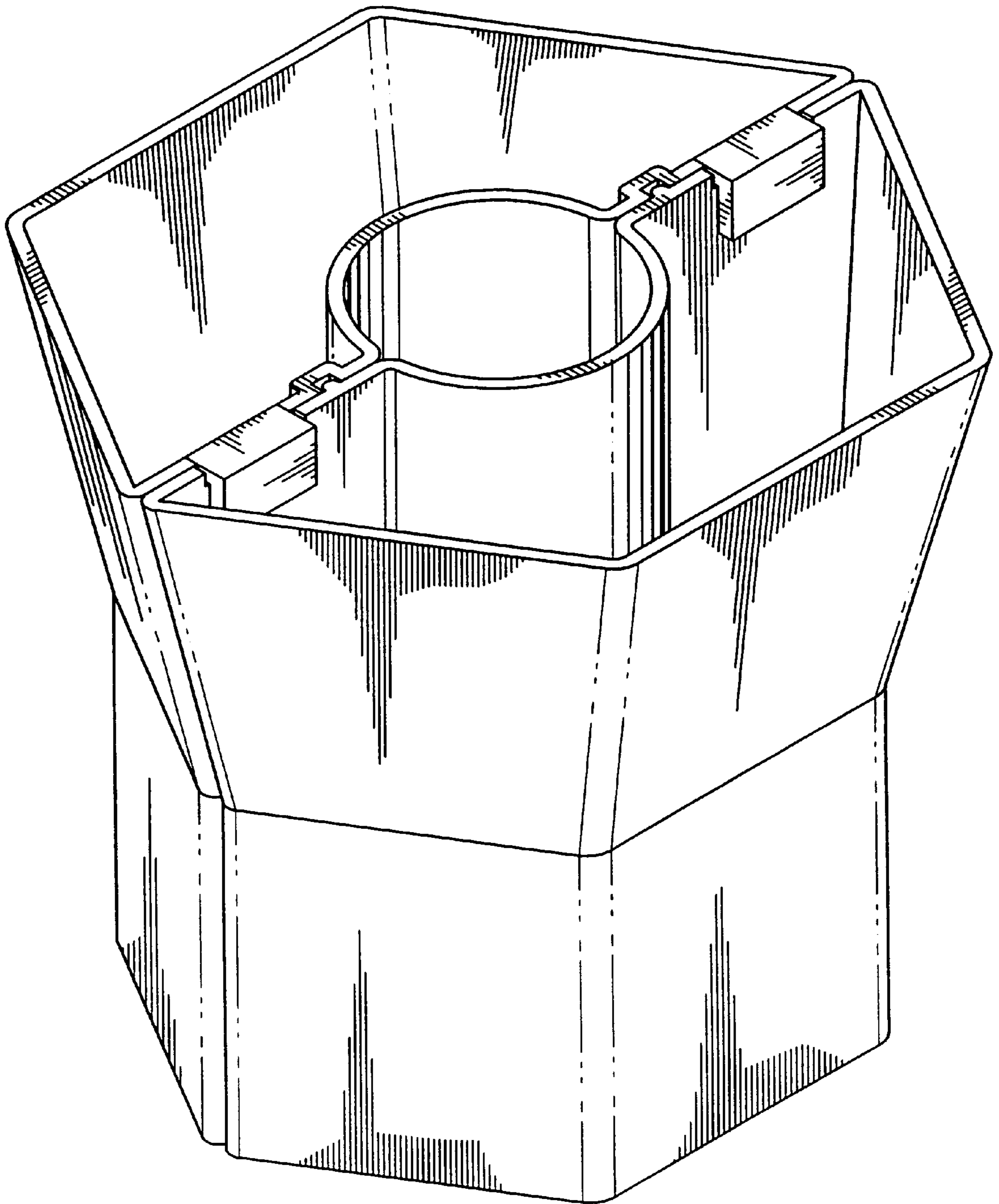


FIG. 1



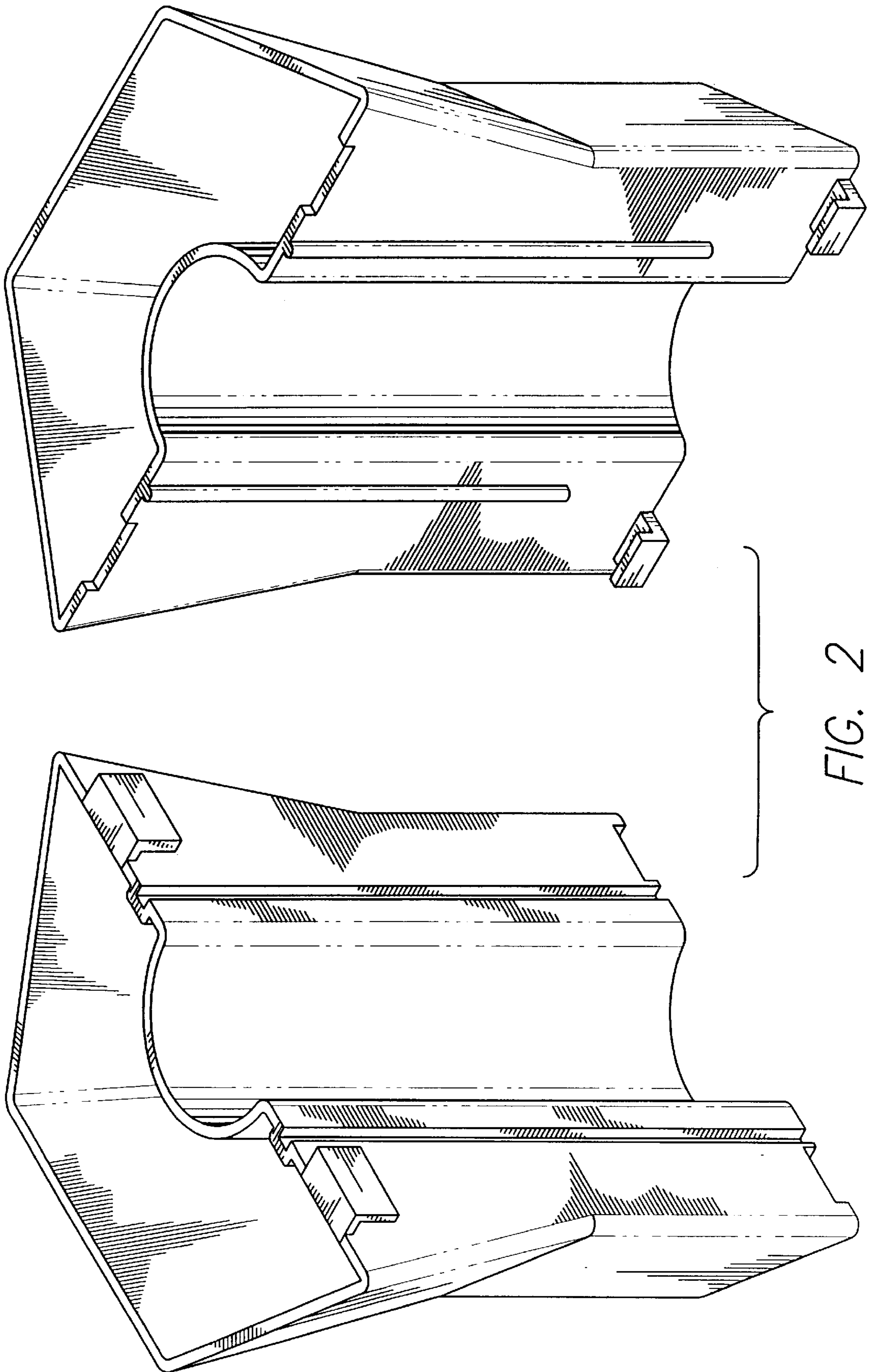


FIG. 3

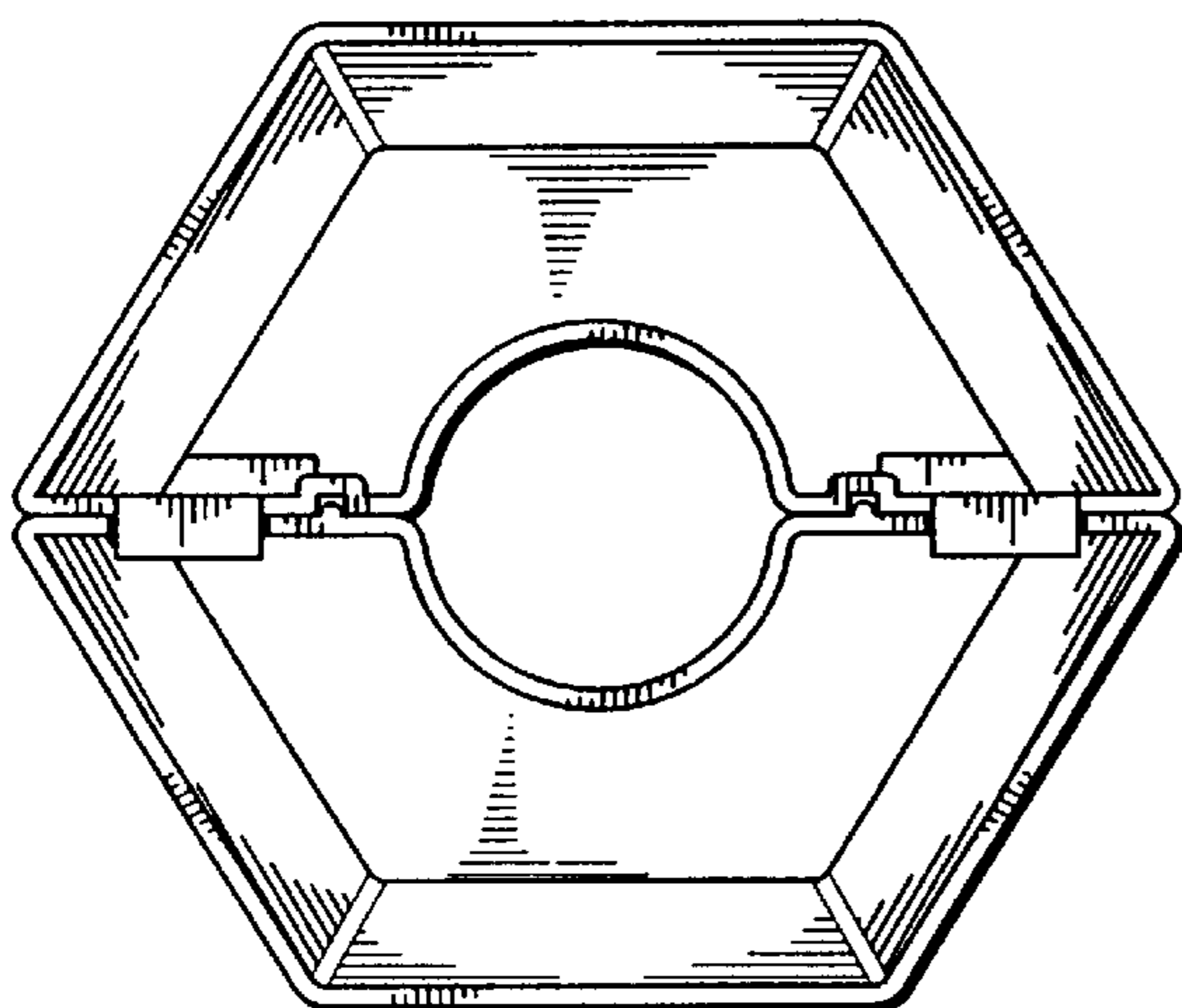


FIG. 6

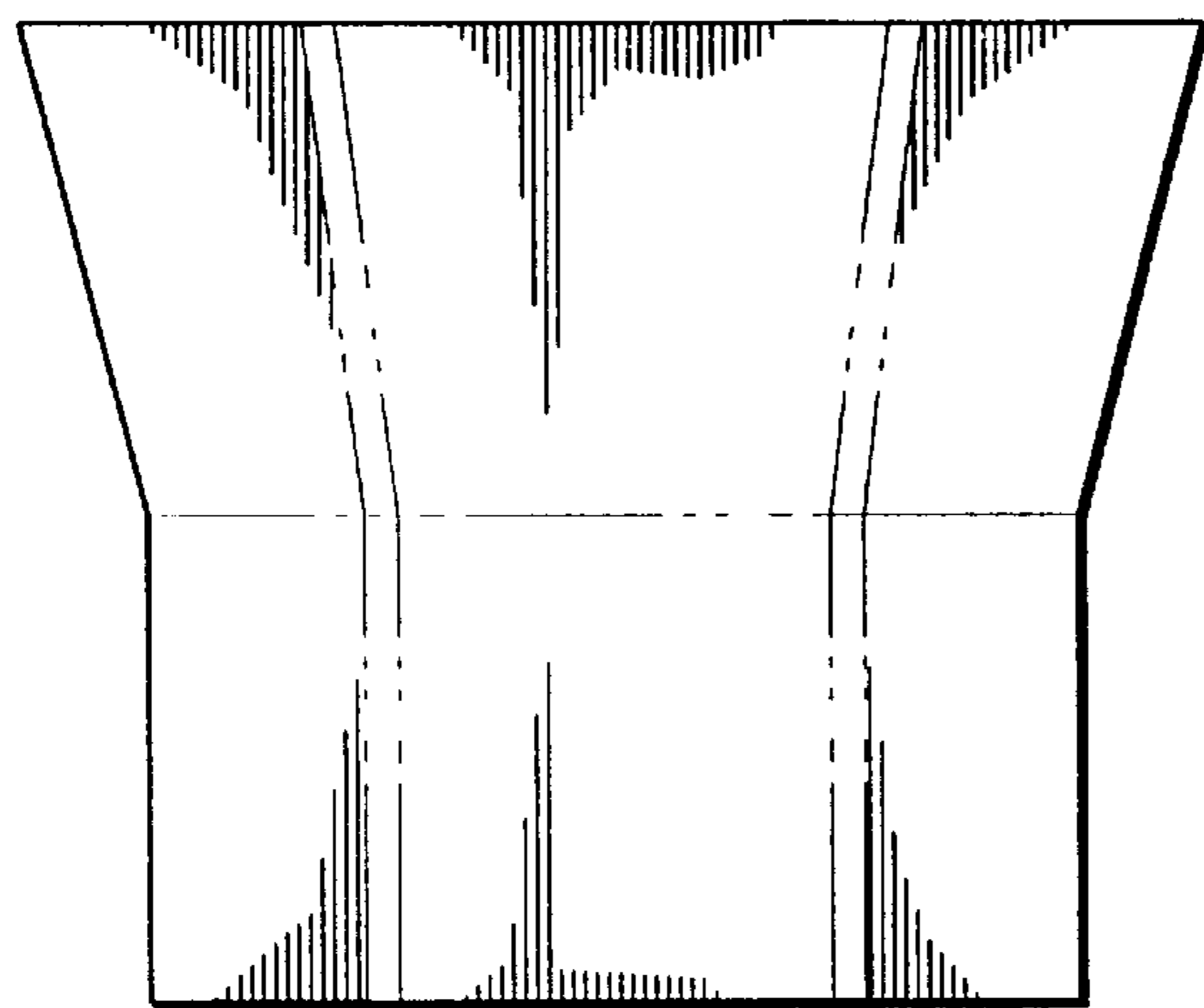
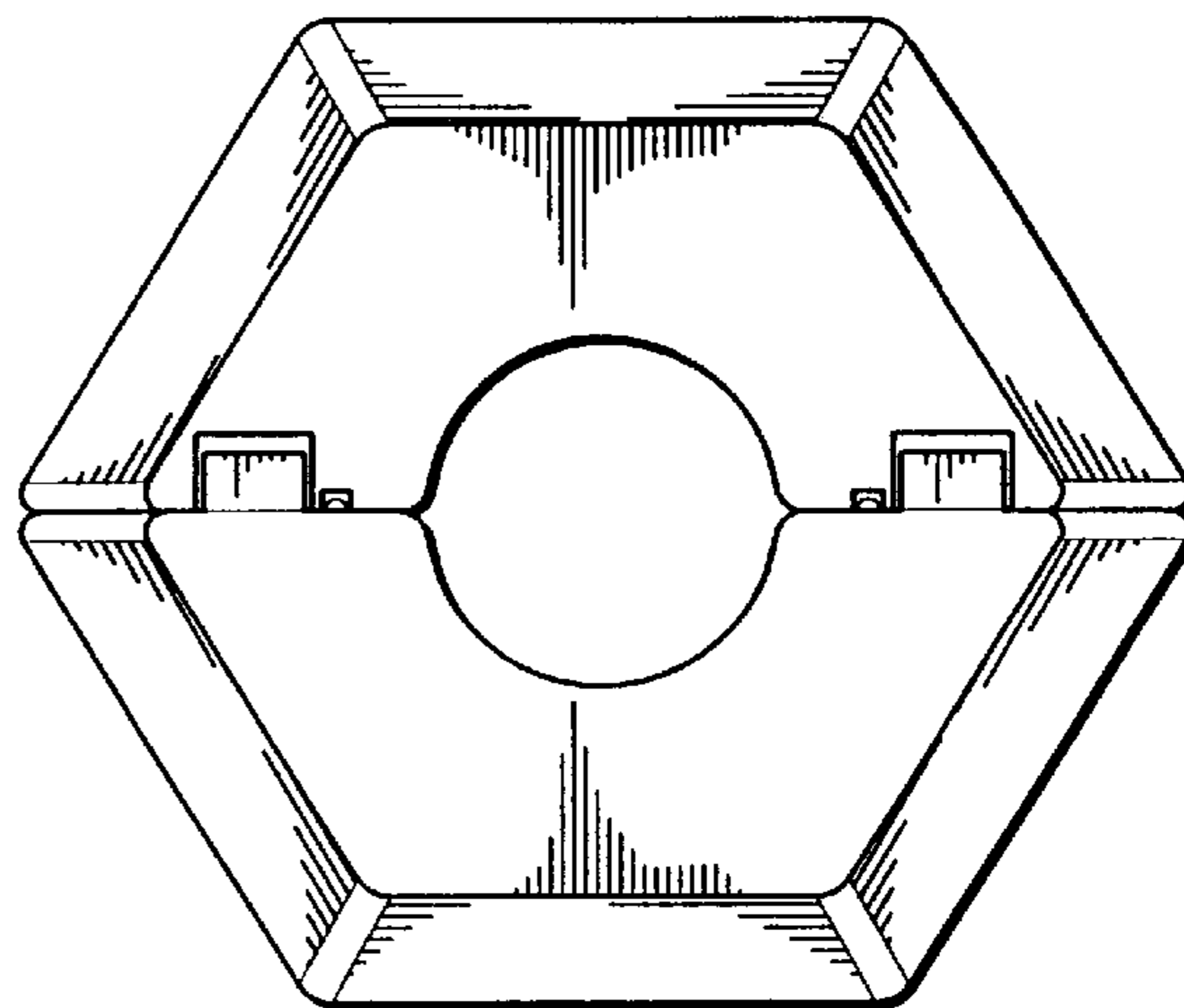


FIG. 4

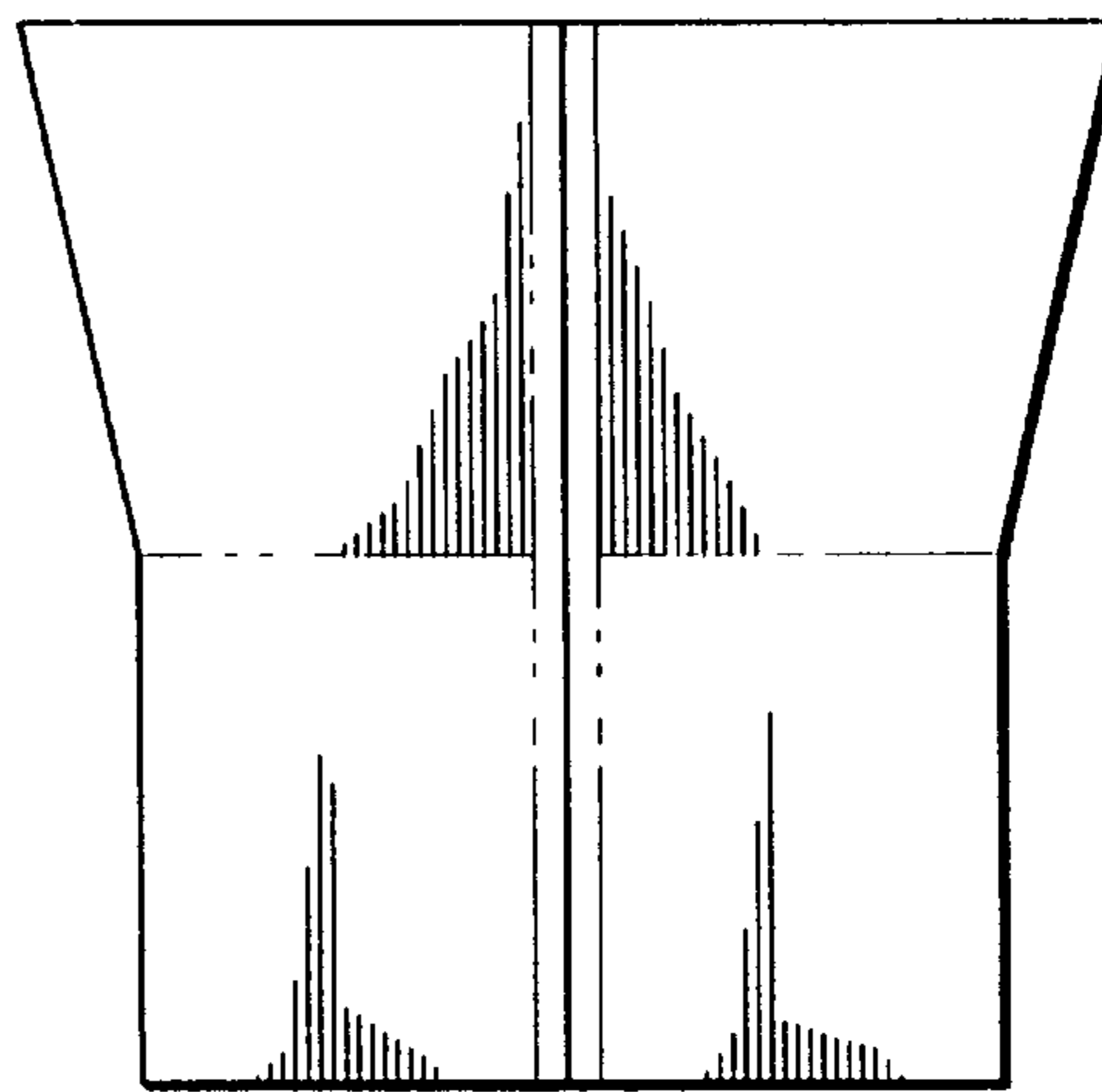


FIG. 5