



US00D416212S

**United States Patent** [19]  
**Green, III et al.**

[11] **Patent Number: Des. 416,212**

[45] **Date of Patent: \*\* Nov. 9, 1999**

[54] **HANDLE FOR TEST FIXTURE**

[75] Inventors: **Gerald A. Green, III**, Cranston;  
**Gordon R. Hutton**, Barrington, both of  
R.I.

[73] Assignee: **H+W Test Products, Inc.**, Seekonk,  
Mass.

[\*\*] Term: **14 Years**

[21] Appl. No.: **29/100,640**

[22] Filed: **Feb. 16, 1999**

[51] **LOC (6) Cl.** ..... **10-04**

[52] **U.S. Cl.** ..... **D10/80; 8/319**

[58] **Field of Search** ..... **D10/80; D8/319,**  
**D8/320; 16/110.5; 324/158 F, 158 P**

[56] **References Cited**

**U.S. PATENT DOCUMENTS**

- D. 226,365 2/1973 Horgan, Jr. .... D8/319
- D. 388,685 1/1998 Schlereth ..... D8/319

**OTHER PUBLICATIONS**

Hewlett Packard, HP 3070 Family Test Fixture Product Catalog, Date Unknown, p. 3.

*Primary Examiner*—Antoine Duval Davis  
*Attorney, Agent, or Firm*—Barlow, Josephs & Holmes, Ltd.

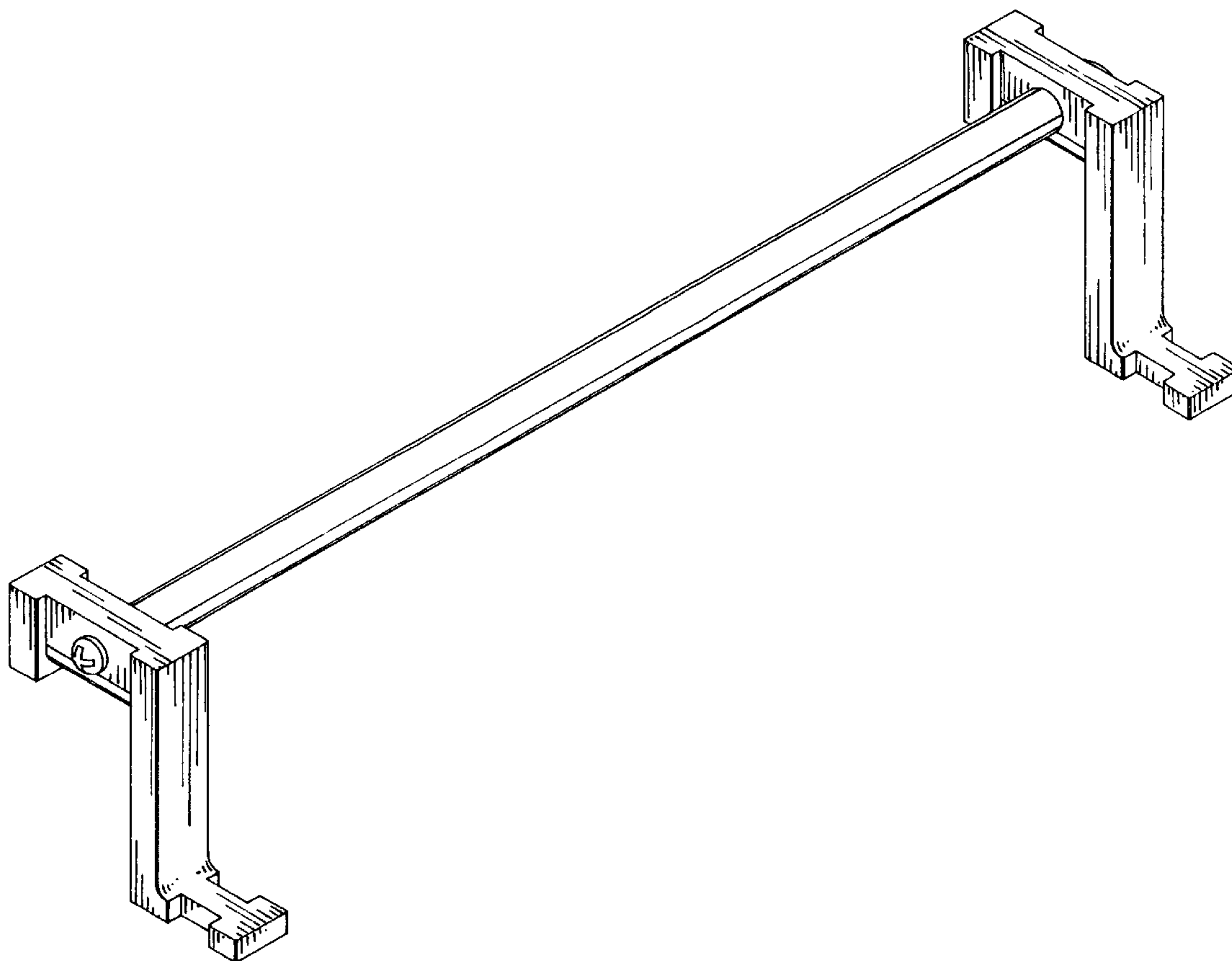
[57] **CLAIM**

The ornamental design for a handle for test fixture, as shown.

**DESCRIPTION**

FIG. 1 is a perspective view of a handle for test fixture showing our new design;  
FIG. 2 is a front elevational view thereof;  
FIG. 3 is a rear elevational view thereof;  
FIG. 4 is a top view thereof;  
FIG. 5 is a bottom view thereof;  
FIG. 6 is a left side elevational view thereof; and,  
FIG. 7 is a right side elevational view thereof.

**1 Claim, 4 Drawing Sheets**



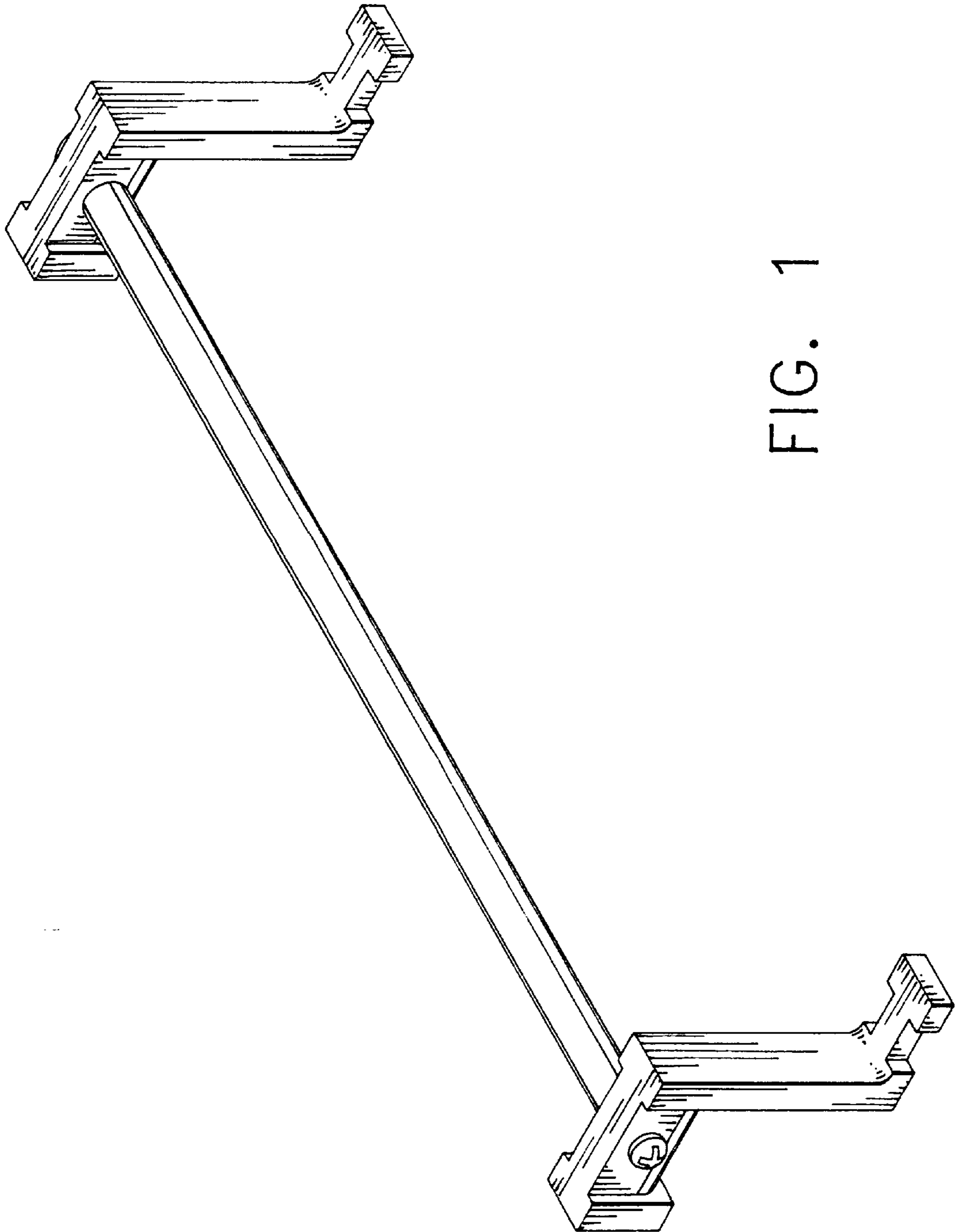


FIG. 1

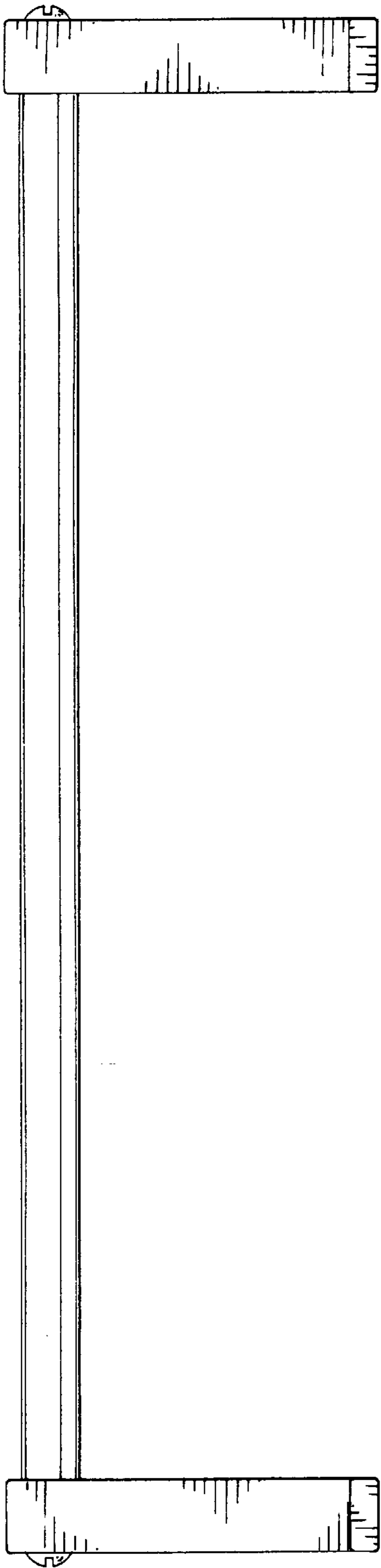


FIG. 2

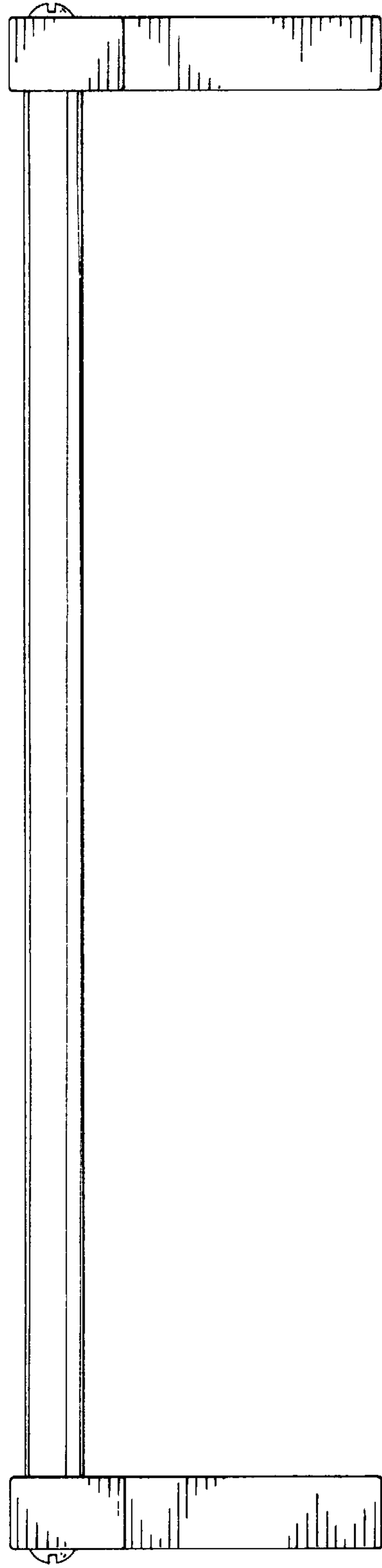


FIG. 3

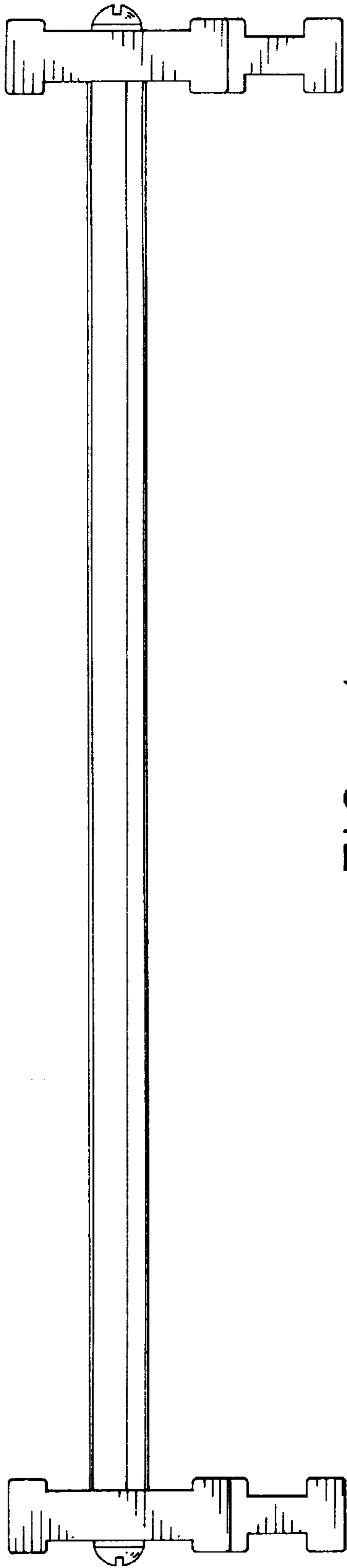


FIG. 4

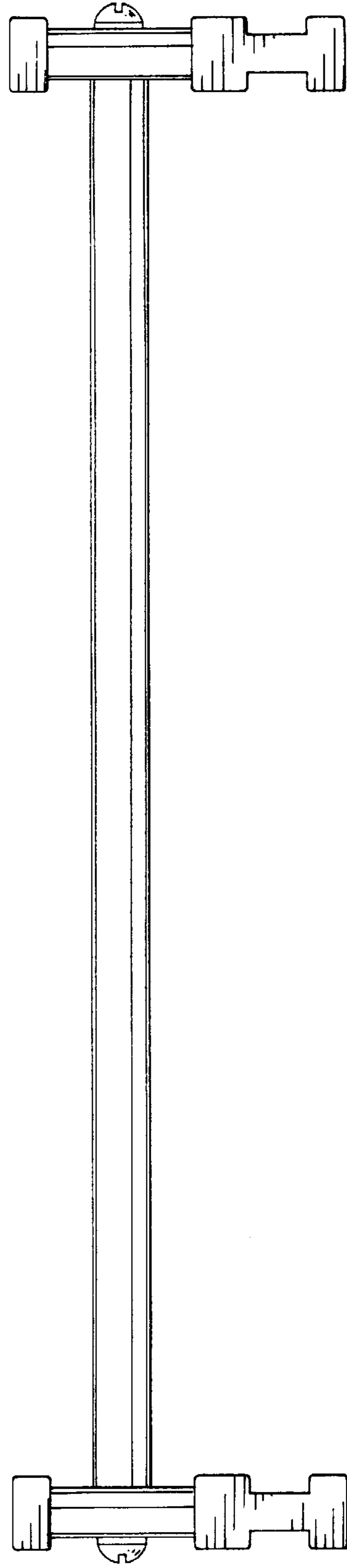


FIG. 5

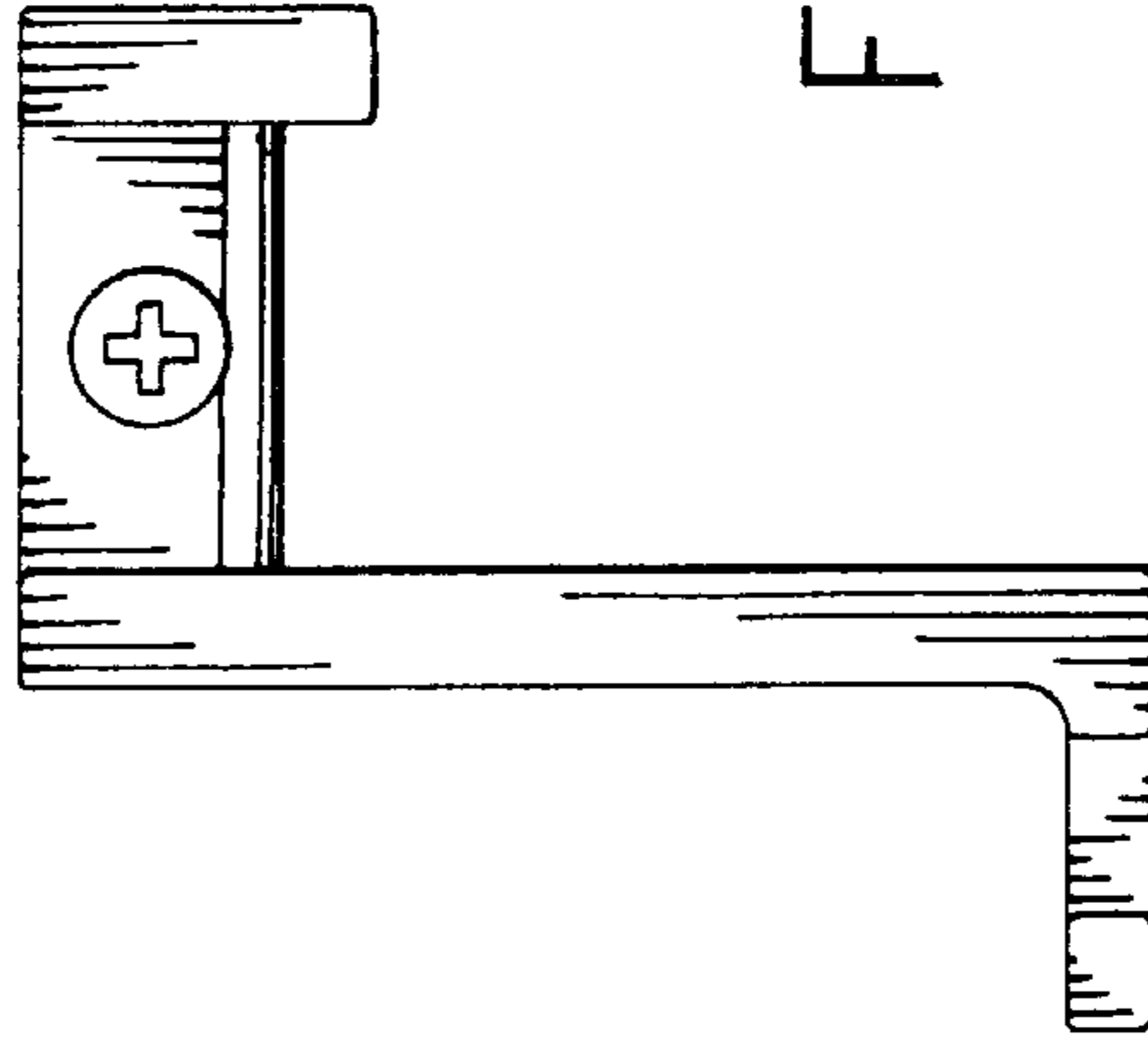


FIG. 7

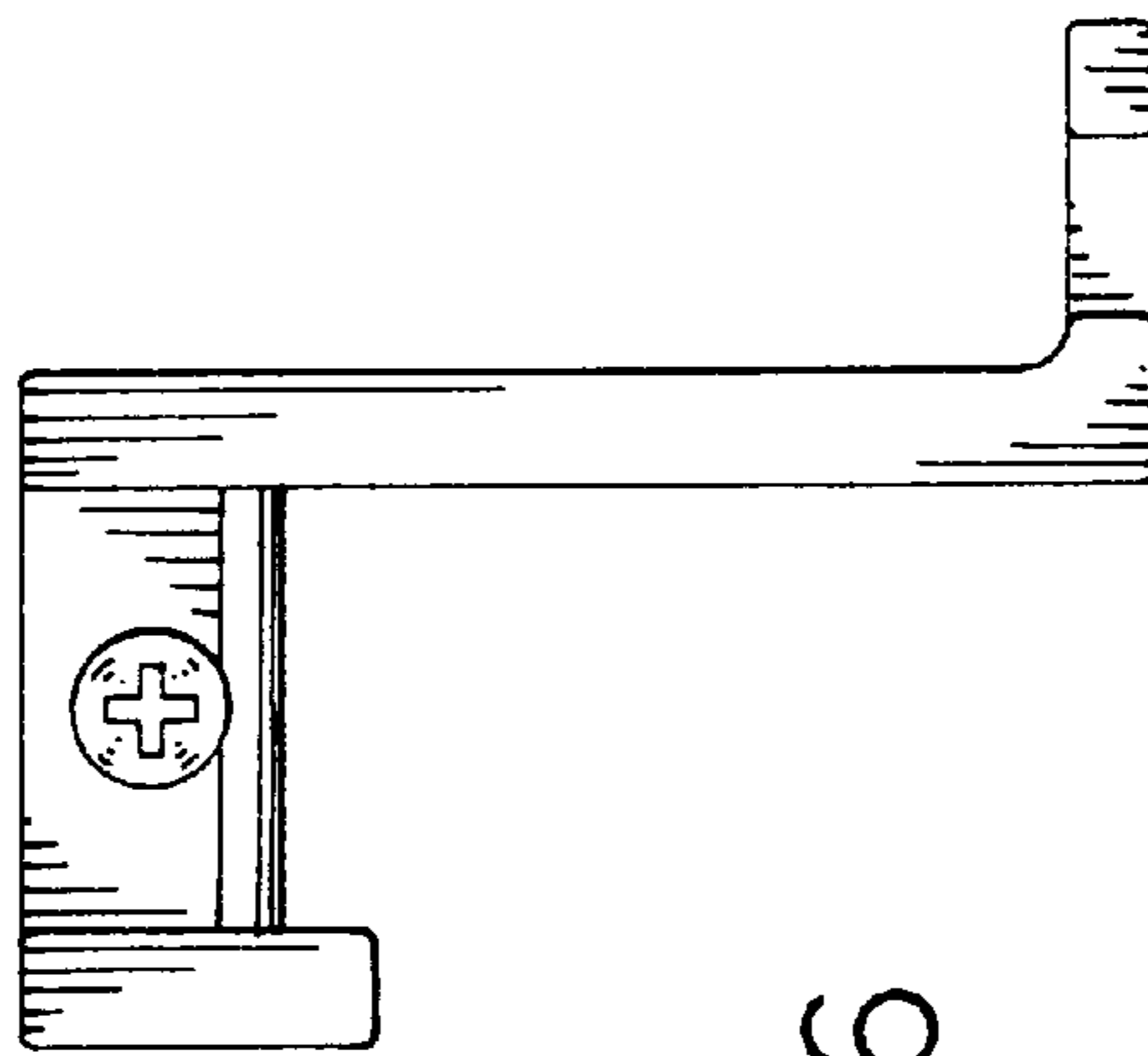


FIG. 6