



US00D416210S

# United States Patent [19] Johnson

[11] **Patent Number: Des. 416,210**

[45] **Date of Patent: \*\* Nov. 9, 1999**

[54] **RISER MARKING TOOL**

[76] Inventor: **L. Keith Johnson**, P.O. Box 21, 3518  
E. Menan-Lorenzo Hwy., Menan, Id.  
83434

[\*\*] Term: **14 Years**

[21] Appl. No.: **29/097,131**

[22] Filed: **Nov. 30, 1998**

[51] **LOC (6) Cl.** ..... **10-04**

[52] **U.S. Cl.** ..... **D10/65**

[58] **Field of Search** ..... D10/64, 65; 33/418,  
33/420, 421, 428, 429

[56] **References Cited**

**U.S. PATENT DOCUMENTS**

- 183,387 10/1876 Essex .
- 357,771 2/1887 Janssen et al. .
- 373,929 11/1887 Gillette .
- D. 398,252 9/1998 Hagen et al. .... D10/65
- 503,050 8/1893 Lantz .

3,456,353 7/1969 Iams .

3,623,232 11/1971 Mahlstadt .

5,239,762 8/1993 Grizzell ..... 33/474

*Primary Examiner*—Antoine Duval Davis

*Attorney, Agent, or Firm*—Workman, Nydegger and Seeley

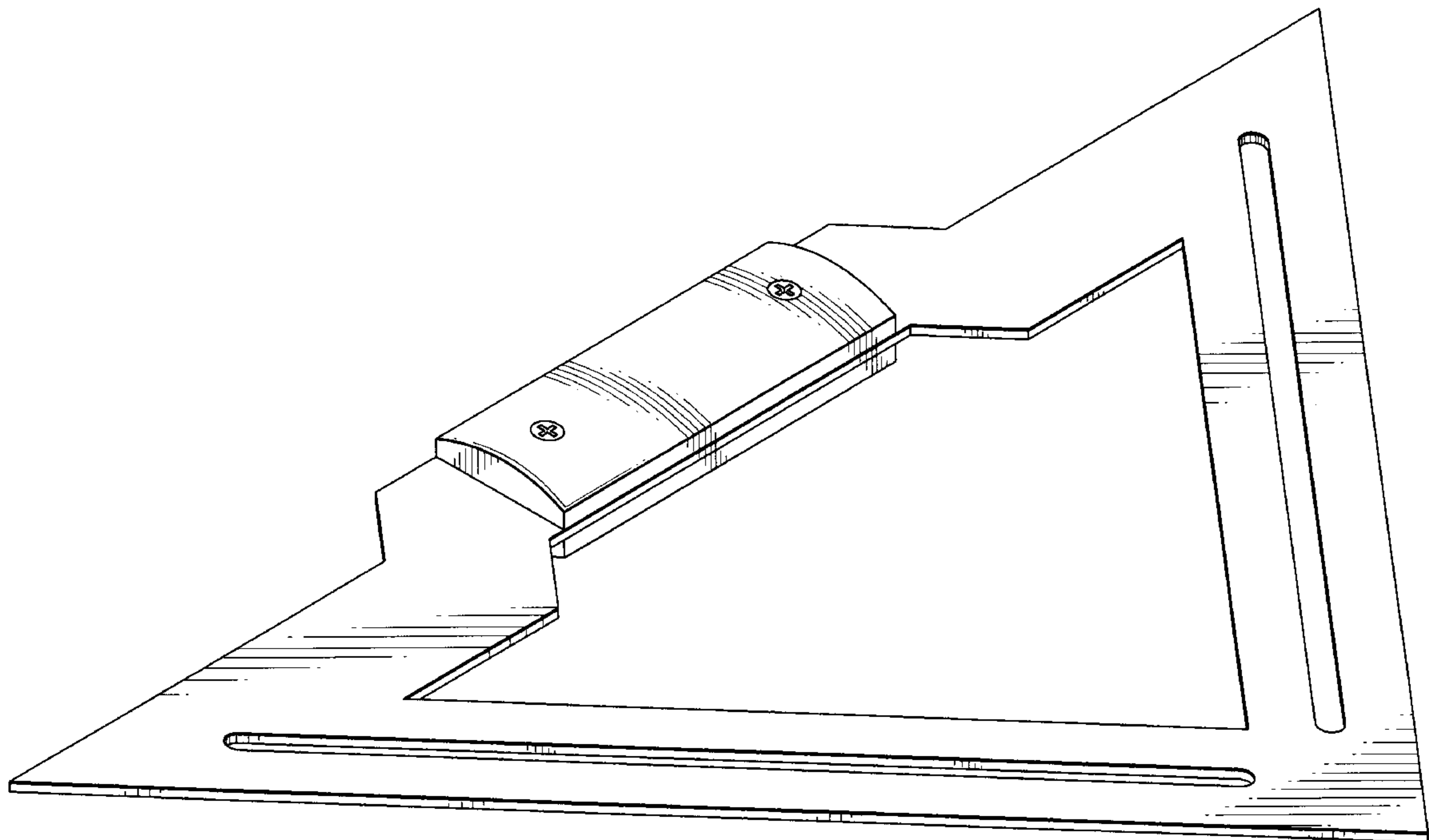
[57] **CLAIM**

The ornamental design for a riser marking tool, as shown and described.

**DESCRIPTION**

FIG. 1 is a perspective view of the inventive riser marking tool;  
 FIG. 2 is an elevated front side view of the tool shown in FIG. 1;  
 FIG. 3 is an elevated back side view of the tool shown in FIG. 1;  
 FIG. 4 is a right side view of the tool shown in FIG. 1, the left side view being identical thereto; and,  
 FIG. 5 is a top plan view of the tool shown in FIG. 1, the bottom plan view being identical thereto.

**1 Claim, 3 Drawing Sheets**



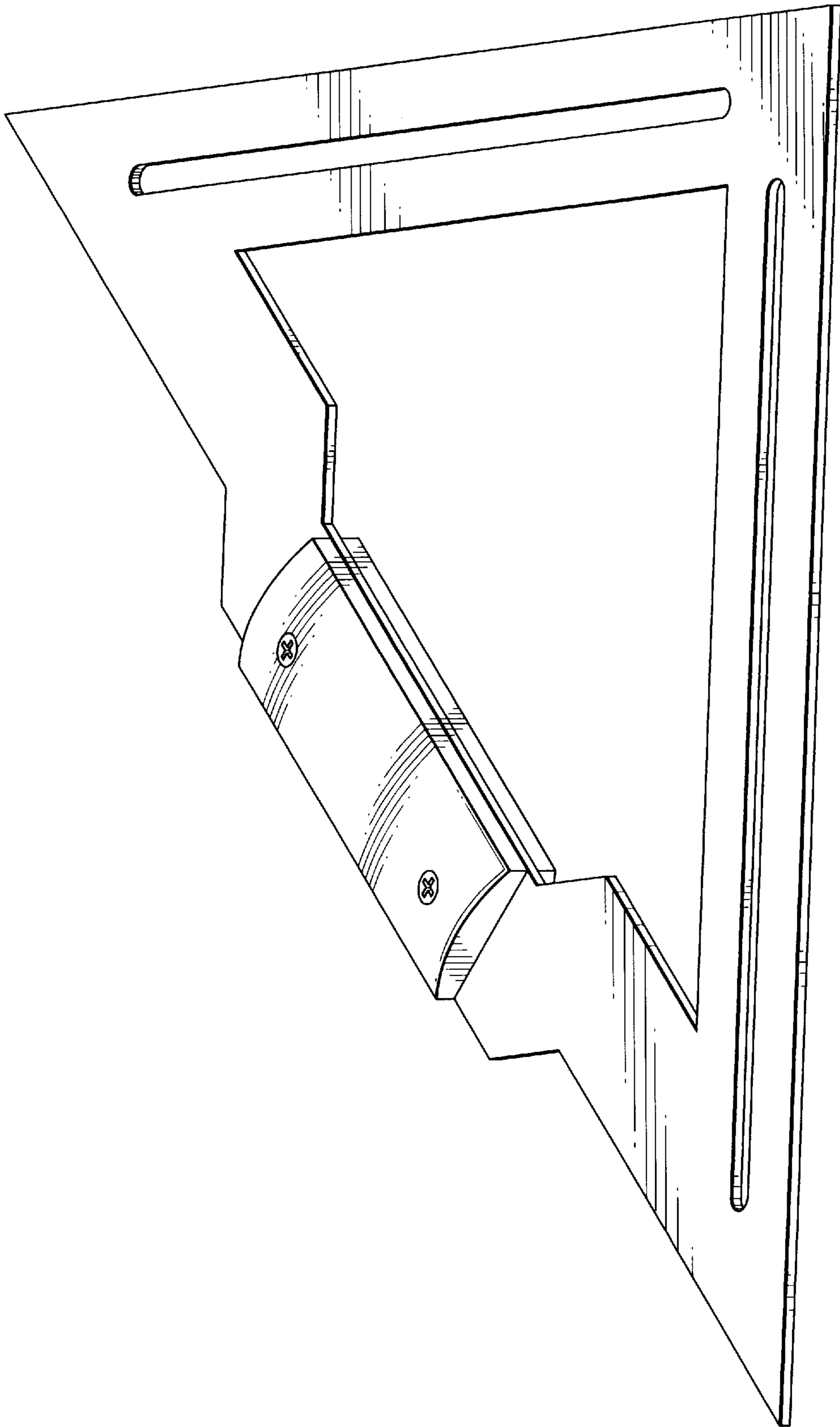


FIG. 1

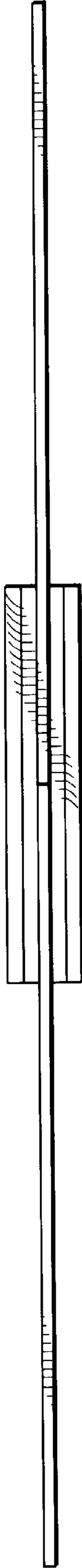


FIG. 2

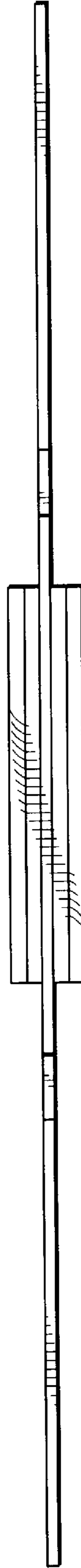


FIG. 3

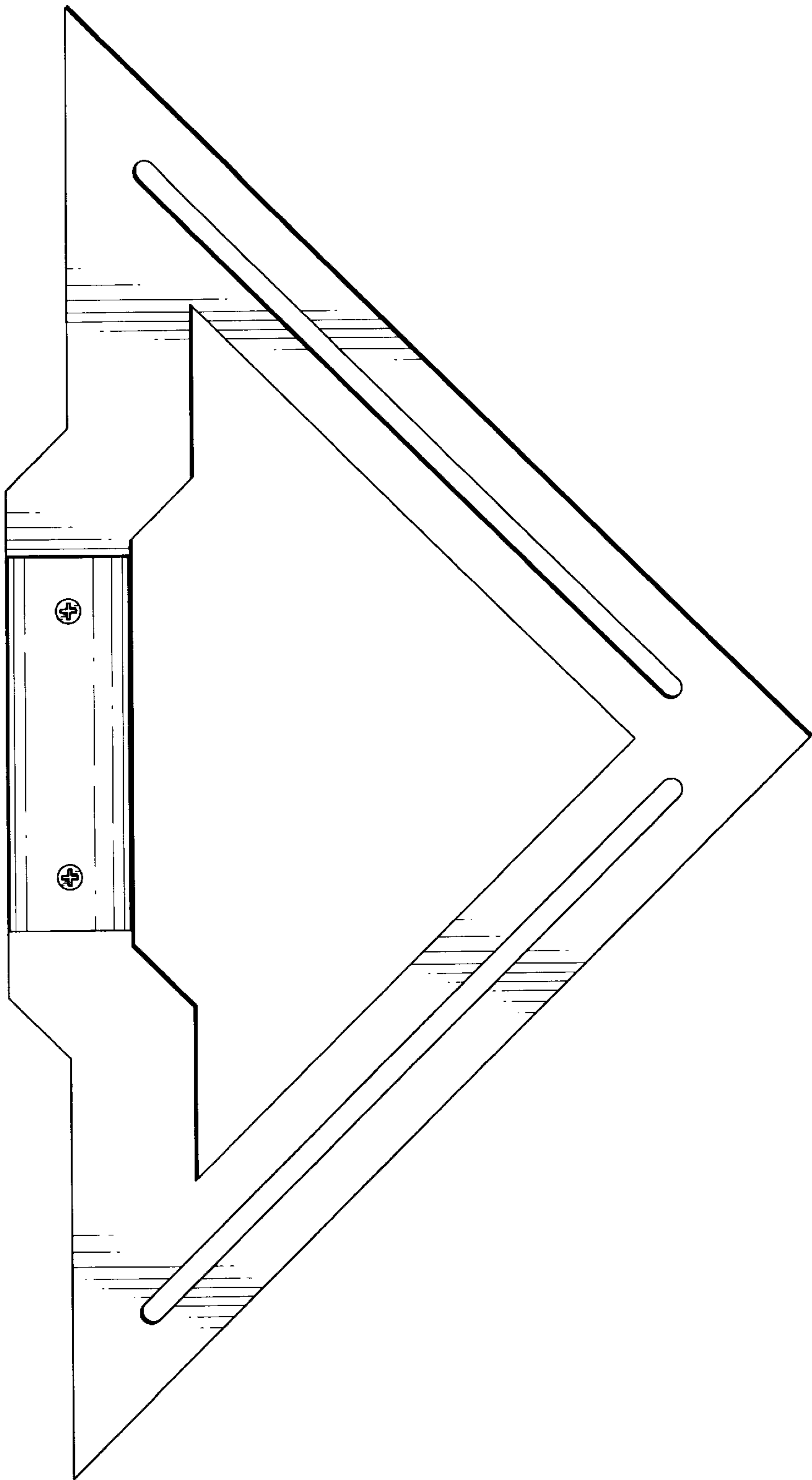


FIG. 4

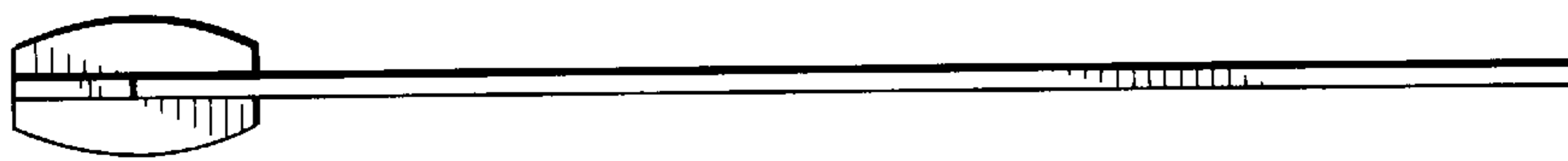


FIG. 5