



US00D416204S

United States Patent [19]

Hsu

[11] **Patent Number: Des. 416,204**

[45] **Date of Patent: ** Nov. 9, 1999**

[54] **WATCH SHELL**

[75] Inventor: **Mu-Sheng Hsu**, Taipei, Taiwan

[73] Assignee: **Young Town Enterprises Co., Ltd.**, Taiwan

[**] Term: **14 Years**

[21] Appl. No.: **29/103,599**

[22] Filed: **Apr. 16, 1999**

[51] **LOC (6) Cl. 10-02**

[52] **U.S. Cl. D10/30; D10/39**

[58] **Field of Search D10/1-40, 122-132; 368/280-282, 276-277, 285**

[56] **References Cited**

U.S. PATENT DOCUMENTS

D. 323,127	1/1992	Kawashima	D10/39
D. 336,439	6/1993	Krieger	D10/30
D. 367,232	2/1996	Dobashi	D10/30
D. 370,181	5/1996	Krieger	D10/32

D. 370,856	6/1996	Krieger	D10/32
D. 389,750	1/1998	Houlihan	D10/30
D. 401,863	12/1998	Fujihara et al.	D10/30
D. 409,503	5/1999	Guigiaro	D10/32

Primary Examiner—Nelson C. Holtje
Attorney, Agent, or Firm—Webb Ziesenheim Logsdon Orkin & Hanson, P.C.

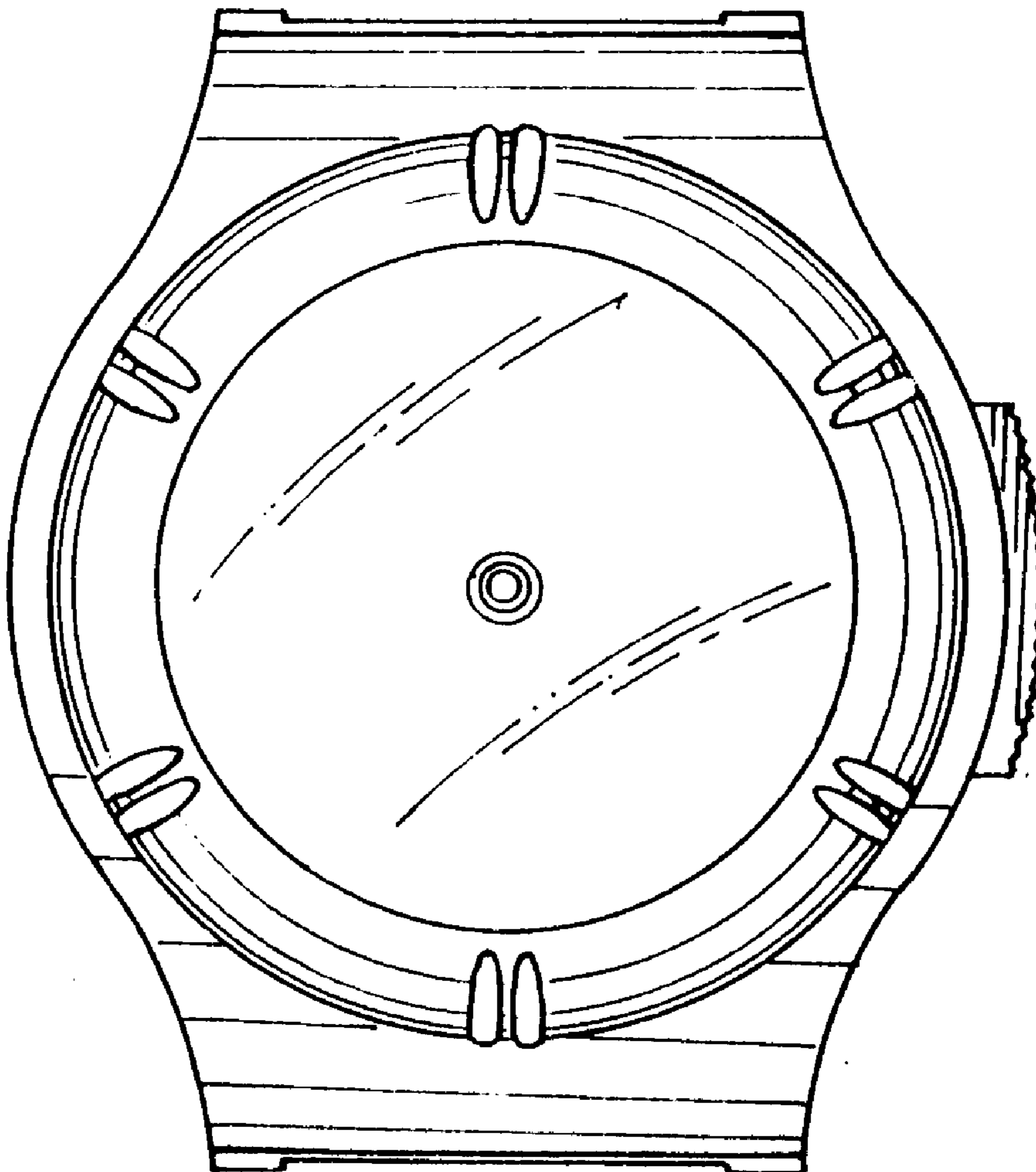
[57] **CLAIM**

The ornamental design for watch shell, as shown and described.

DESCRIPTION

FIG. 1 is a perspective view of watch shell showing my new design;
FIG. 2 is a front elevational view thereof;
FIG. 3 is a rear elevational view thereof;
FIG. 4 is a left side elevational view thereof;
FIG. 5 is a right side elevational view thereof;
FIG. 6 is a top plan view thereof; and,
FIG. 7 is a bottom plan view thereof.

1 Claim, 3 Drawing Sheets



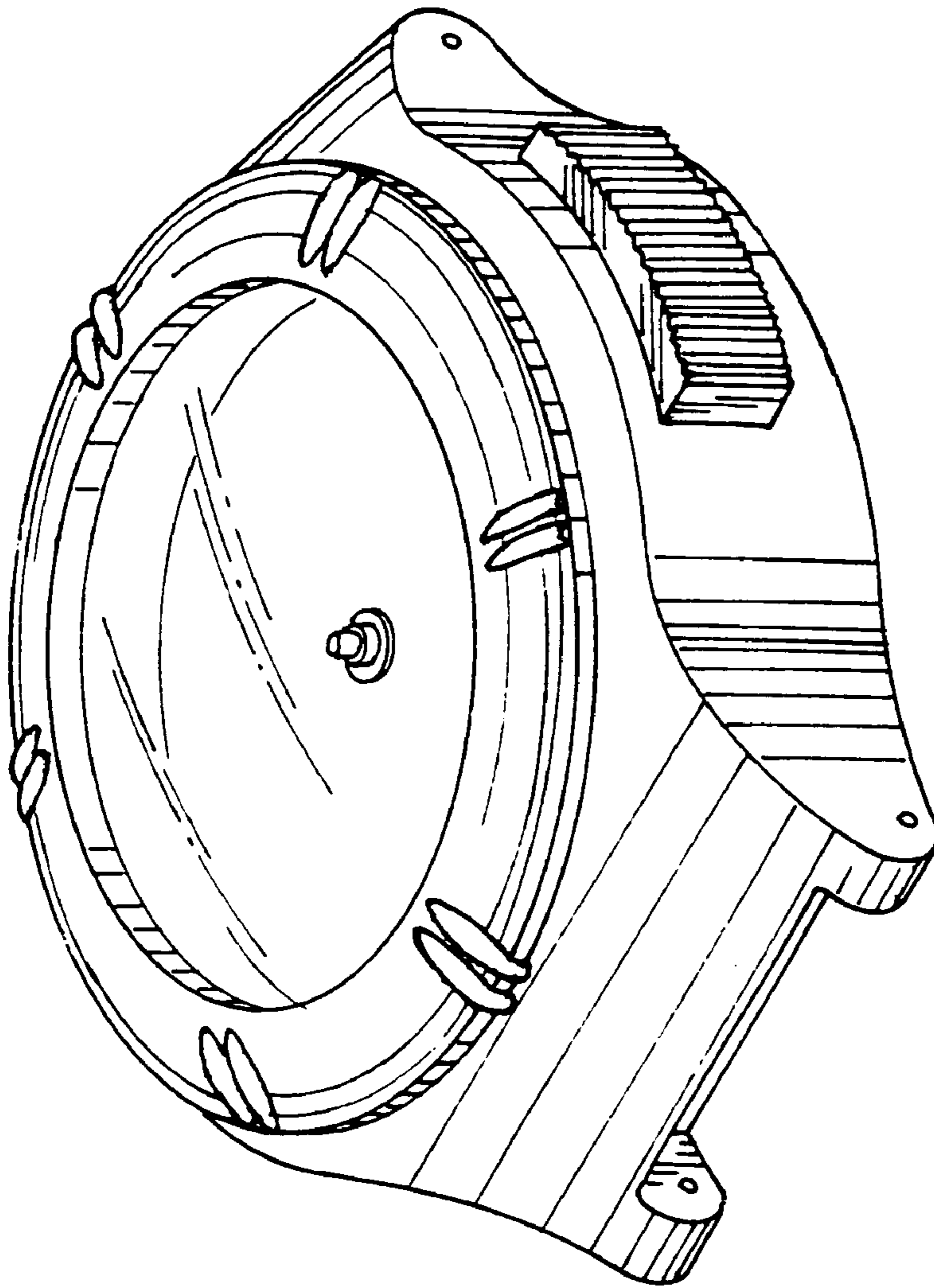


FIG.1

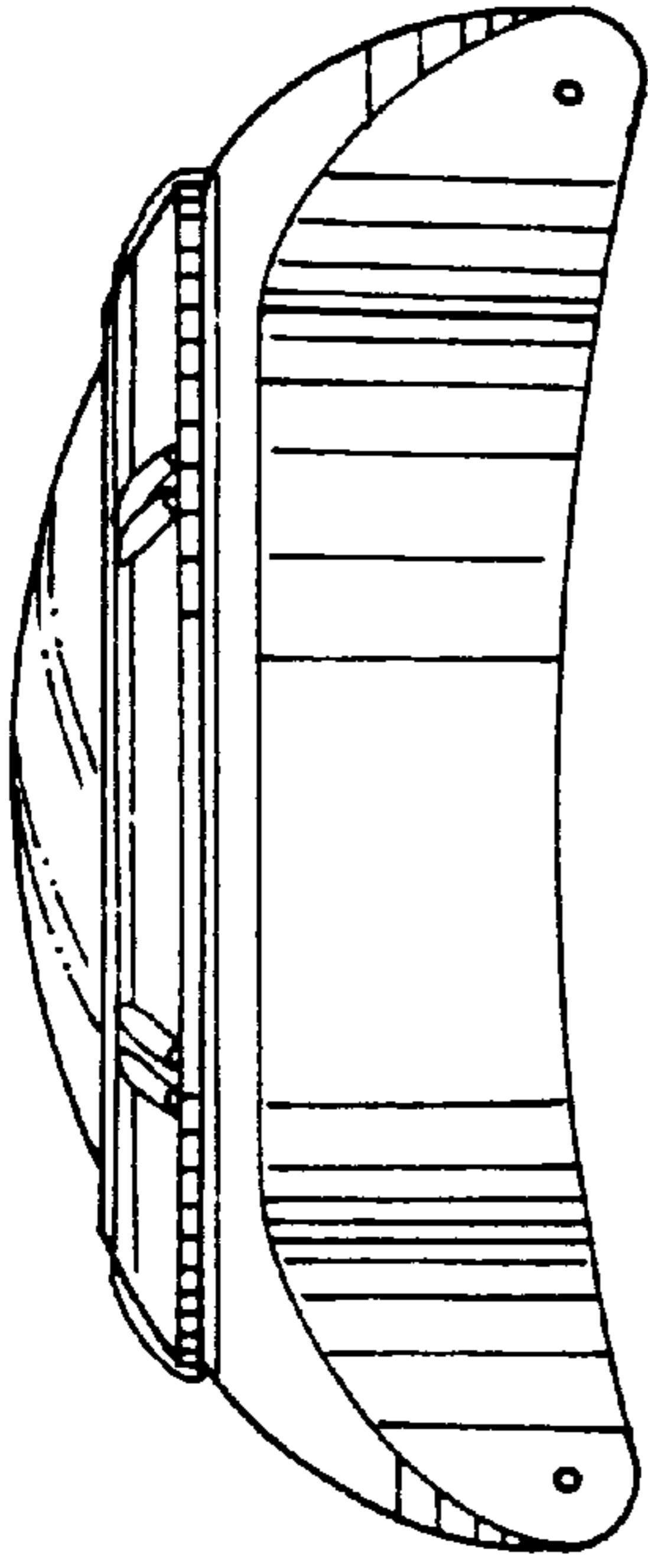


FIG. 4

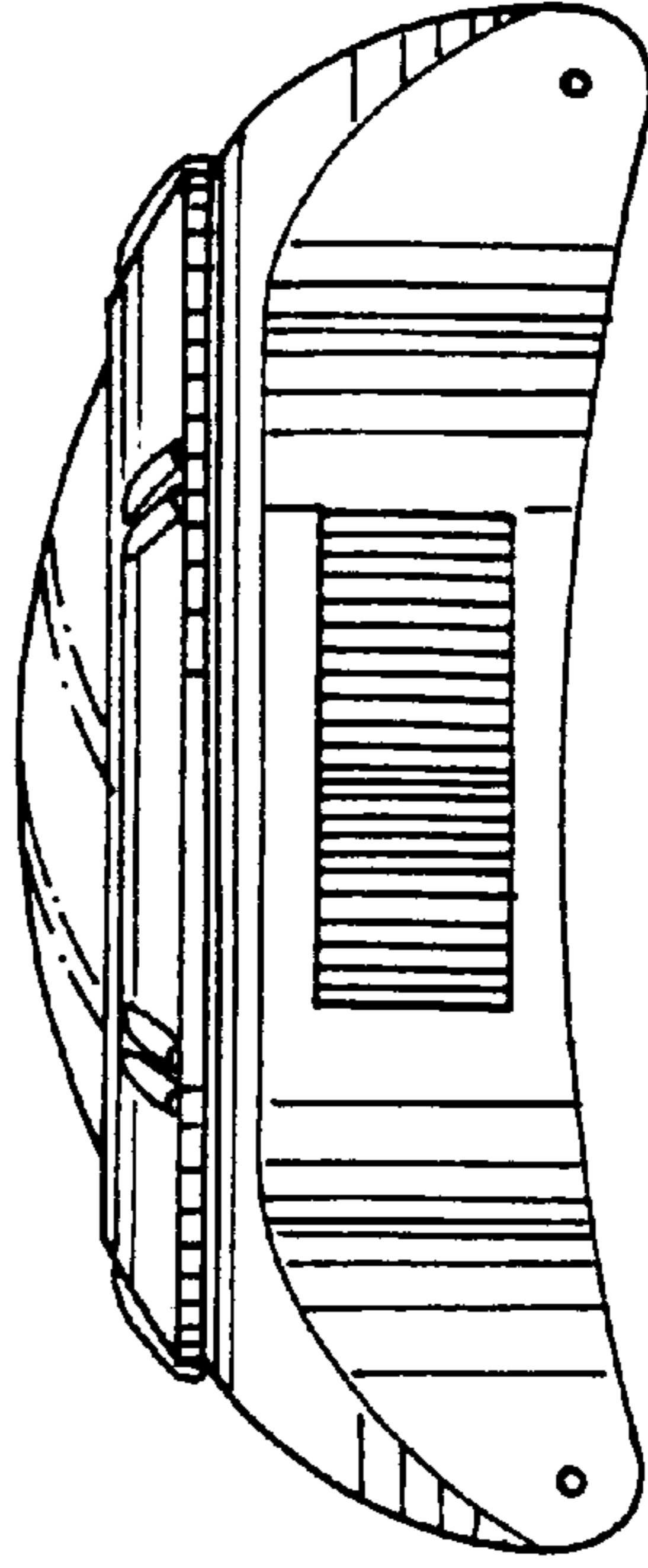


FIG. 5

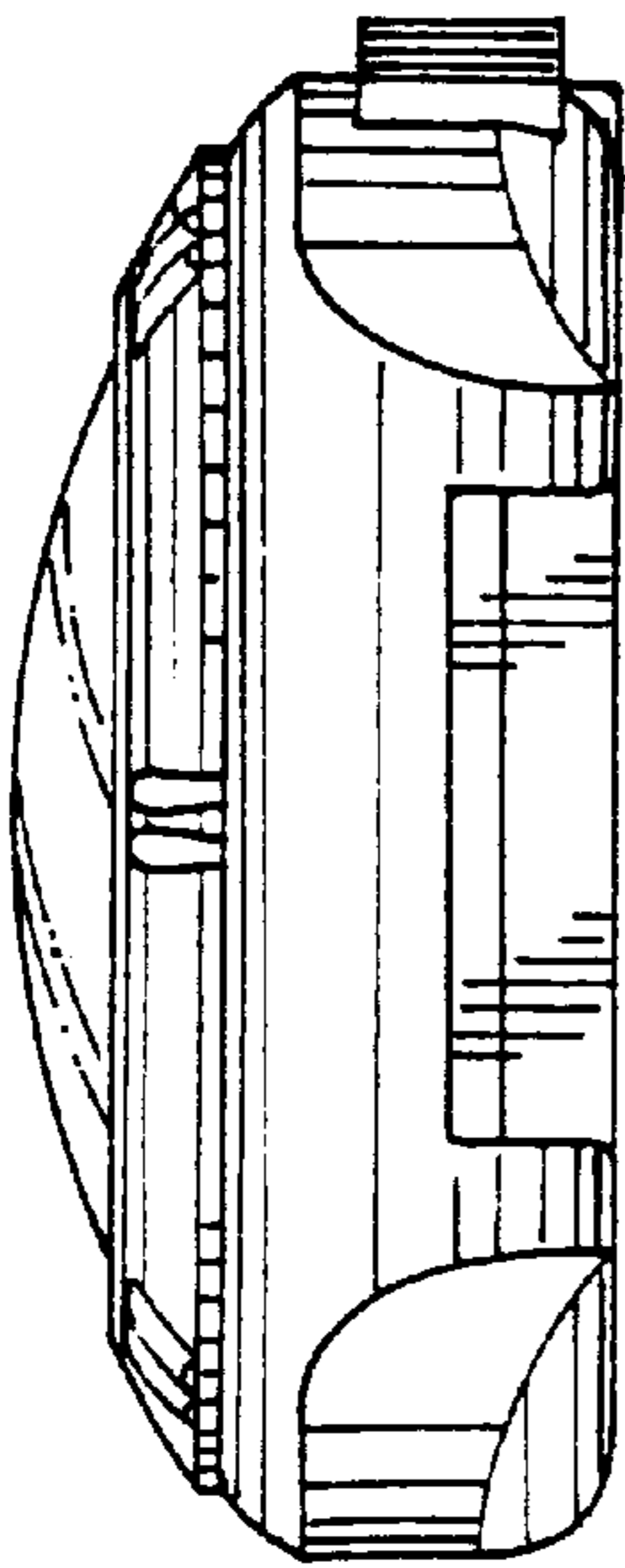


FIG. 2

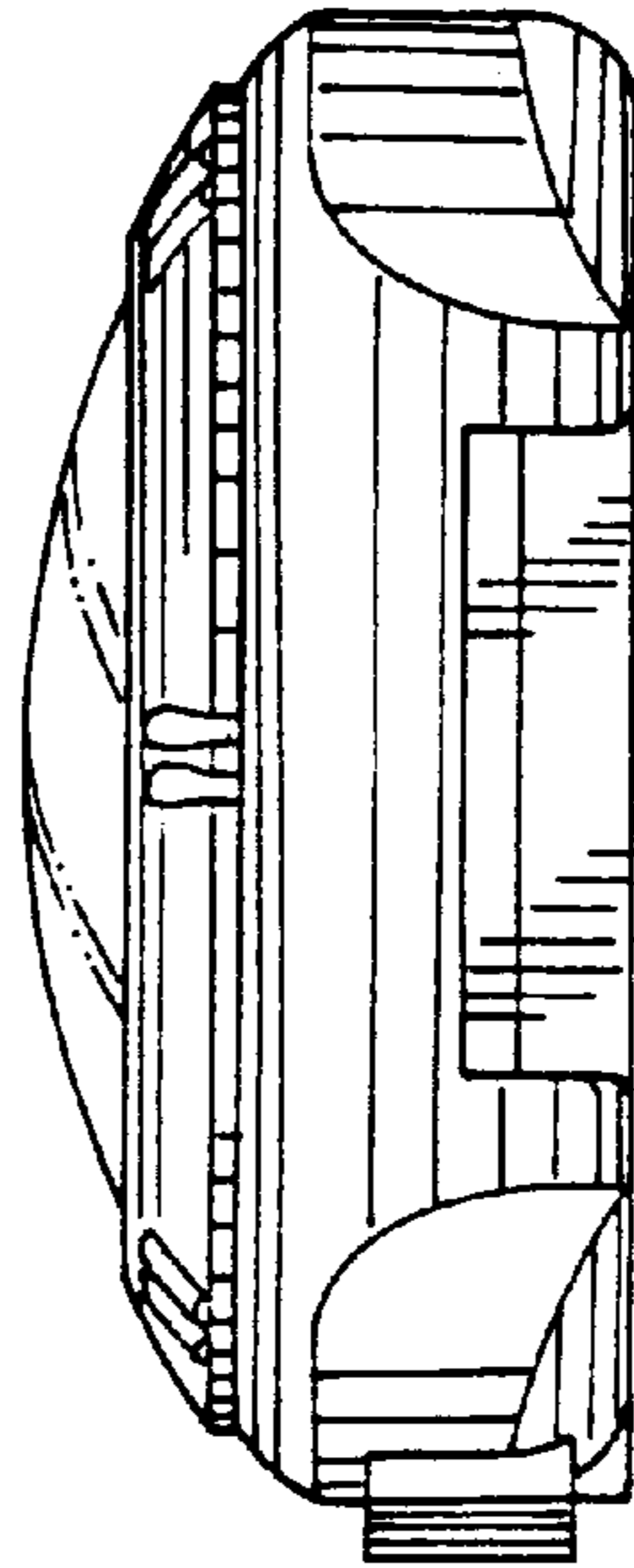


FIG. 3

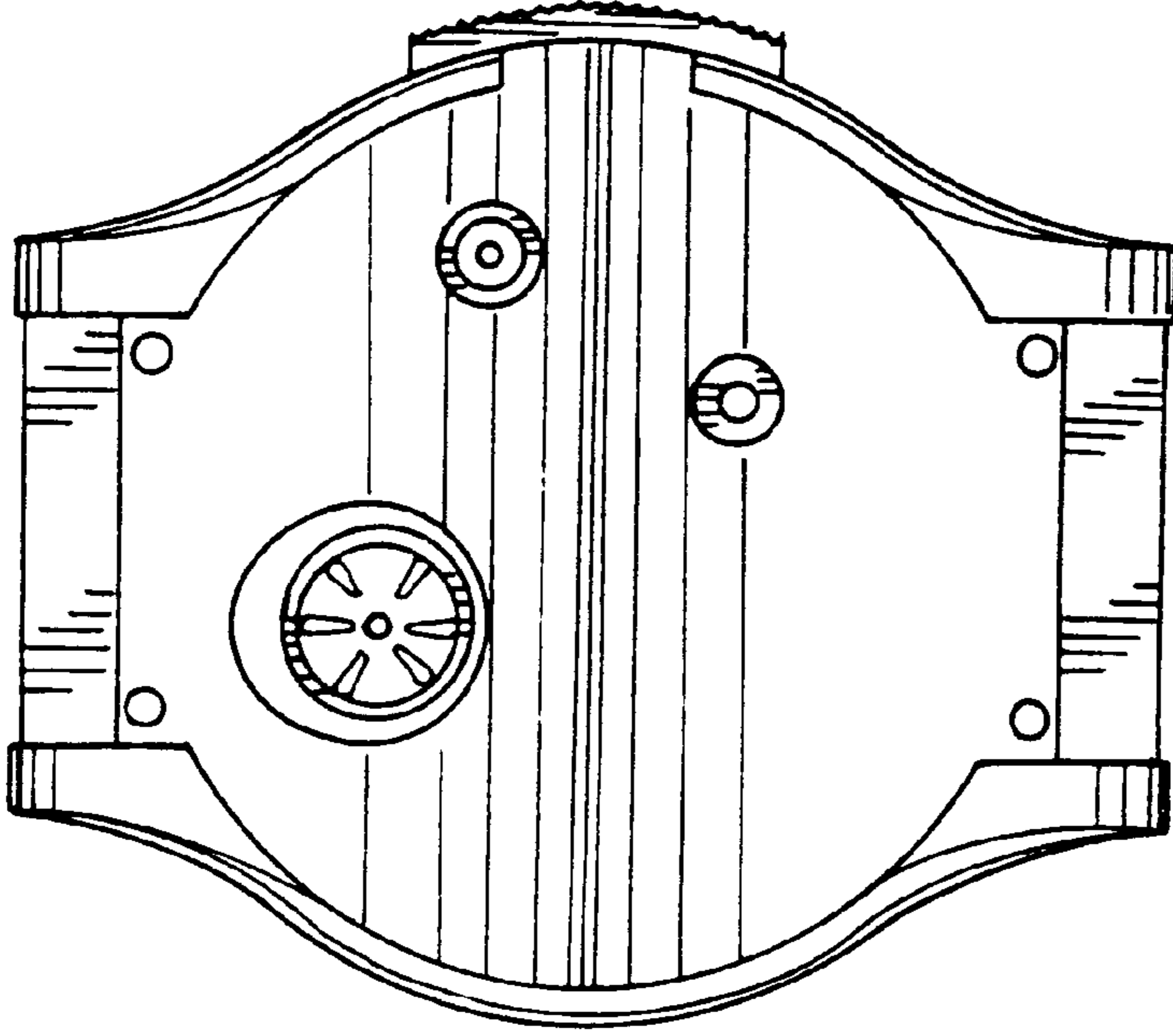


FIG. 6

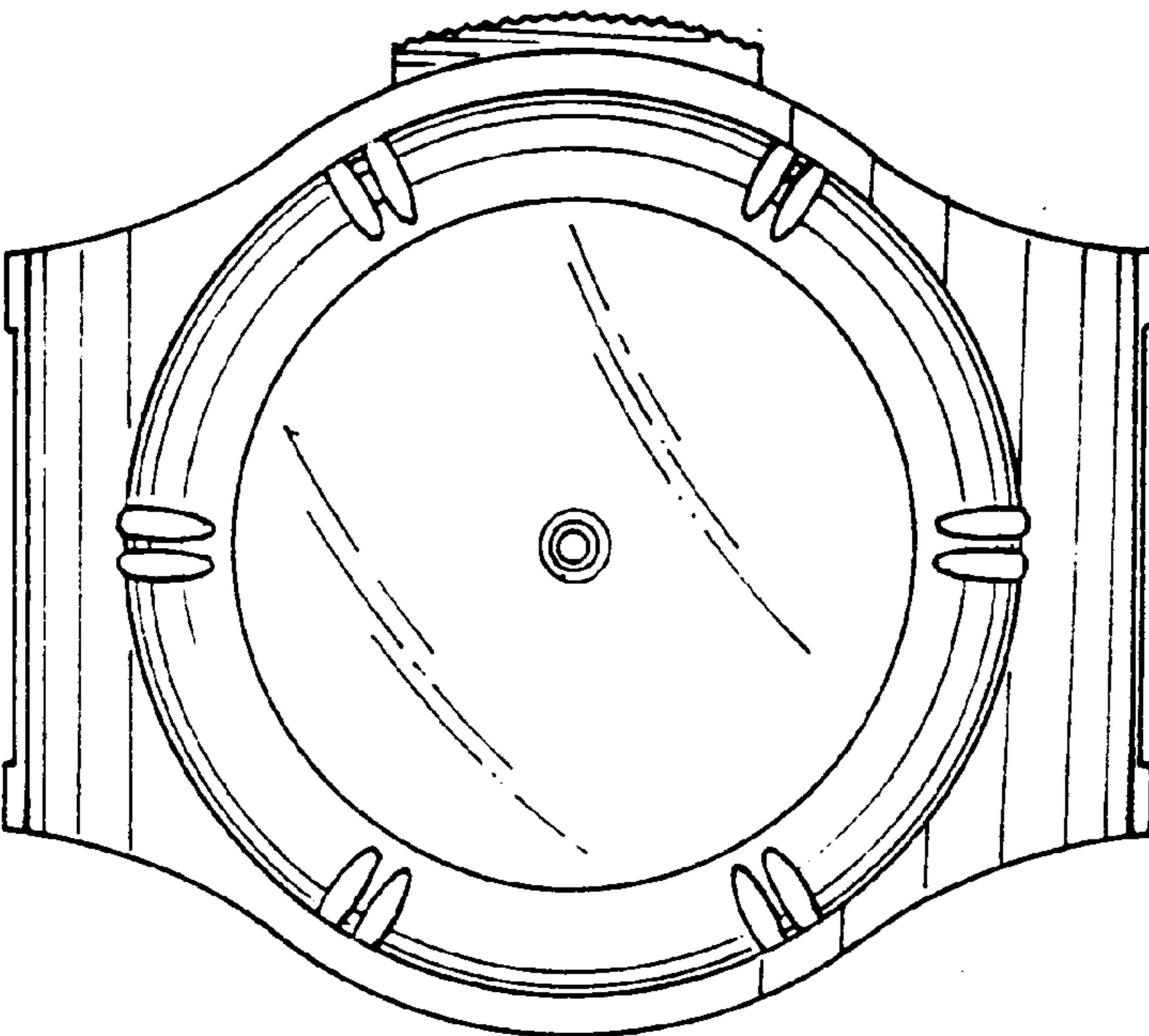


FIG. 7