



US00D416202S

United States Patent [19]

Wu

[11] Patent Number: **Des. 416,202**

[45] Date of Patent: **** Nov. 9, 1999**

[54] **COMBINED CLOCK AND PHOTOGRAPH HOLDER**

D. 378,496 3/1997 Levinger et al. D10/26
D. 385,422 10/1997 Blazy D6/300

[76] Inventor: **Robert Wu**, P.O. Box 63-247,
Taichung, Taiwan

Primary Examiner—Nelson C. Holtie
Attorney, Agent, or Firm—Alan Kamrath; Oppenheimer
Wolff & Donnelly LLP

[**] Term: **14 Years**

[57] CLAIM

[21] Appl. No.: **29/097,811**

The ornamental design for combined clock and photograph holder, as shown and described.

[22] Filed: **Dec. 14, 1998**

DESCRIPTION

[51] **LOC (6) Cl.** **10-01**

[52] **U.S. Cl.** **D10/2; D10/26**

[58] **Field of Search** D10/1-40, 122-132;
368/276-277, 285, 316-317

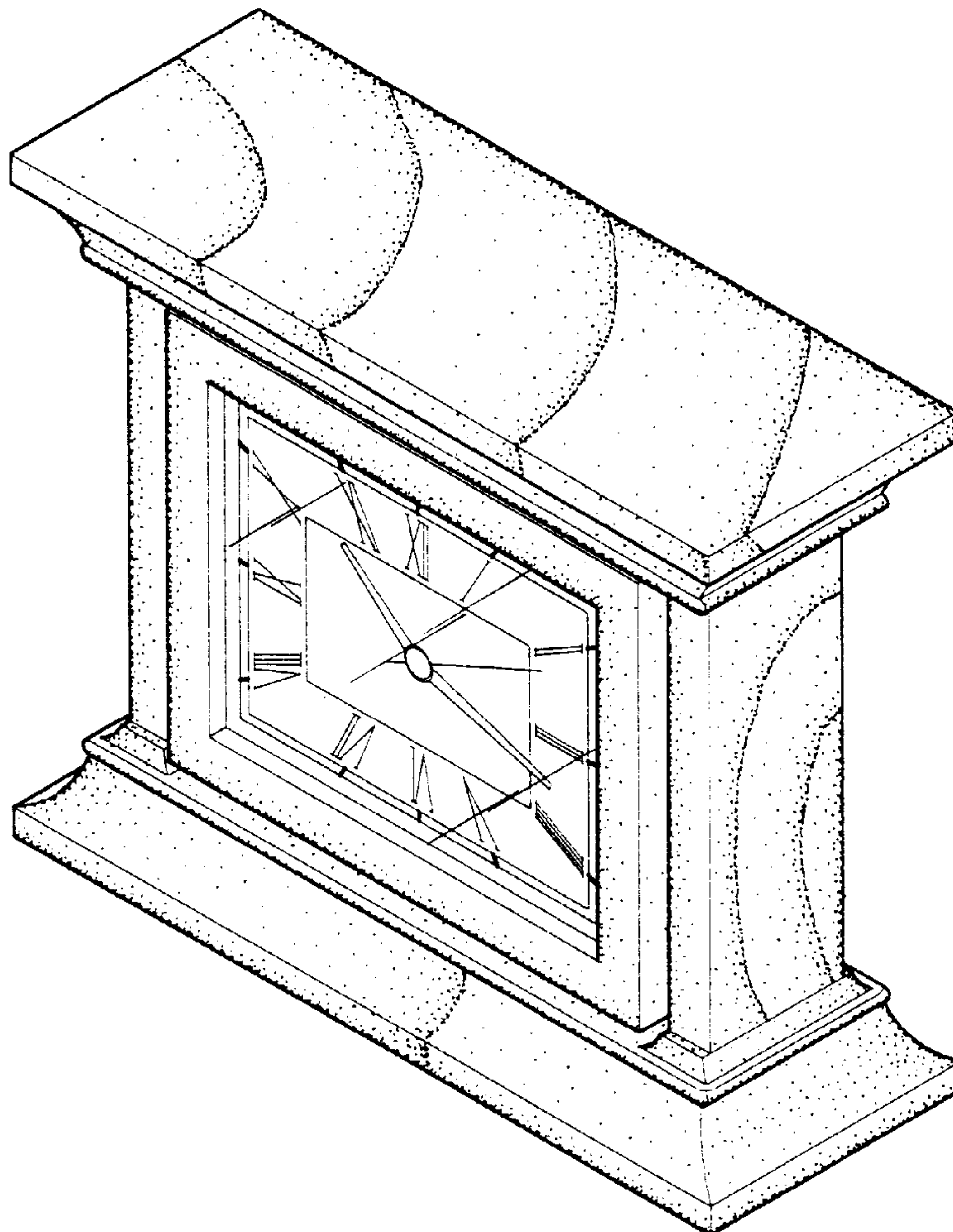
FIG. 1 is a perspective view of a combined clock and photograph holder showing my new design; FIG. 2 is a front elevational view thereof; FIG. 3 is a rear elevational view thereof; FIG. 4 is a left elevational view thereof; the opposite side being a mirror image of the shown; FIG. 5 is a top plan view thereof; and FIG. 6 is a bottom plan view thereof; and, FIG. 7 is the perspective view thereof in which combined clock and photograph holder is in an open position, showing the clock separately for ease of illustration, drawn on an enlarged scale.

[56] References Cited

U.S. PATENT DOCUMENTS

- D. 46,434 9/1914 Granz .
- D. 78,687 6/1929 Dorn .
- D. 85,740 12/1931 Dinstman .
- D. 307,520 5/1990 Ilaria et al. D6/300
- D. 324,959 3/1992 White D6/300
- D. 346,116 4/1994 Godlinger D10/26
- D. 376,981 12/1996 Levinger et al. D10/1

1 Claim, 4 Drawing Sheets



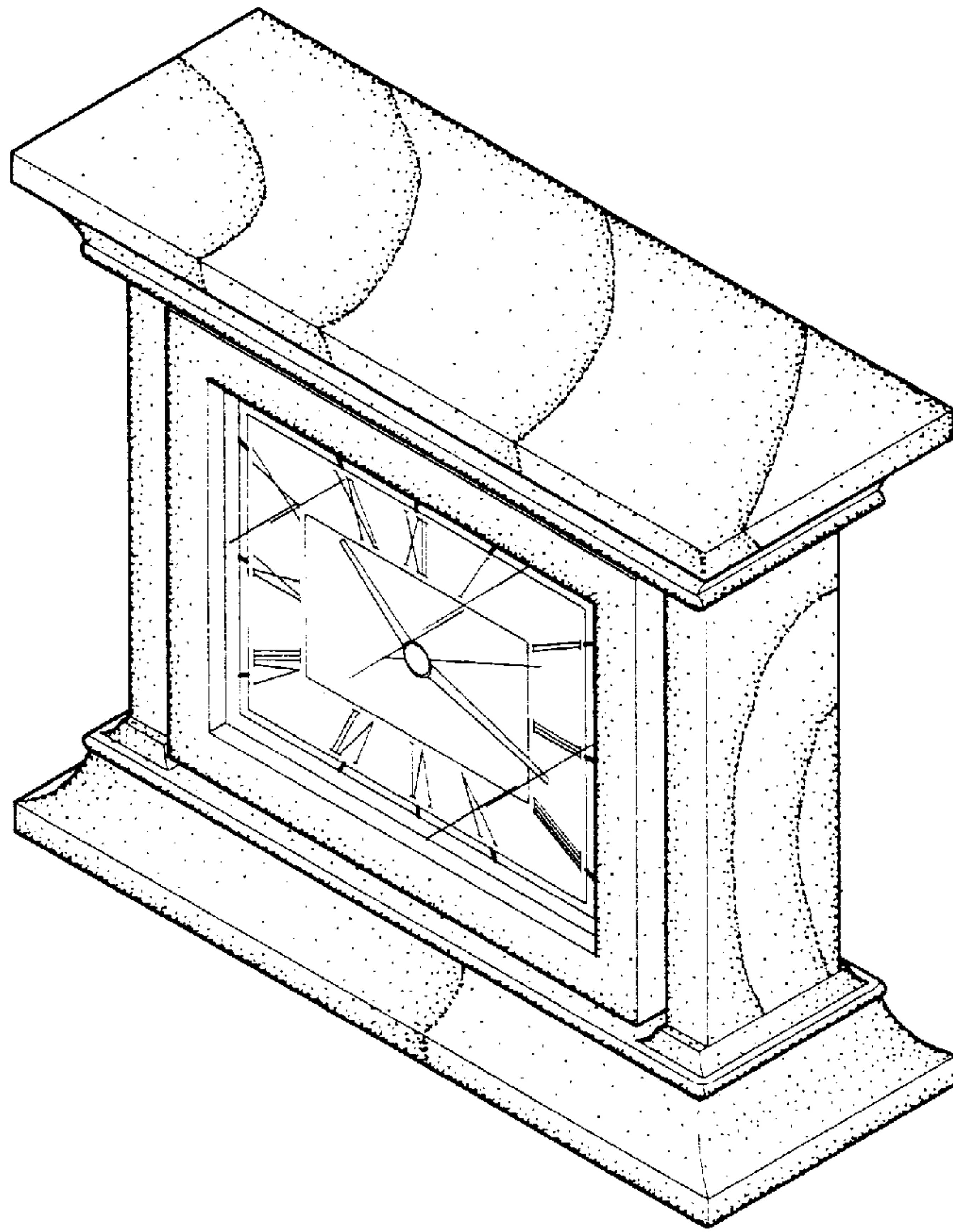


Fig. 1

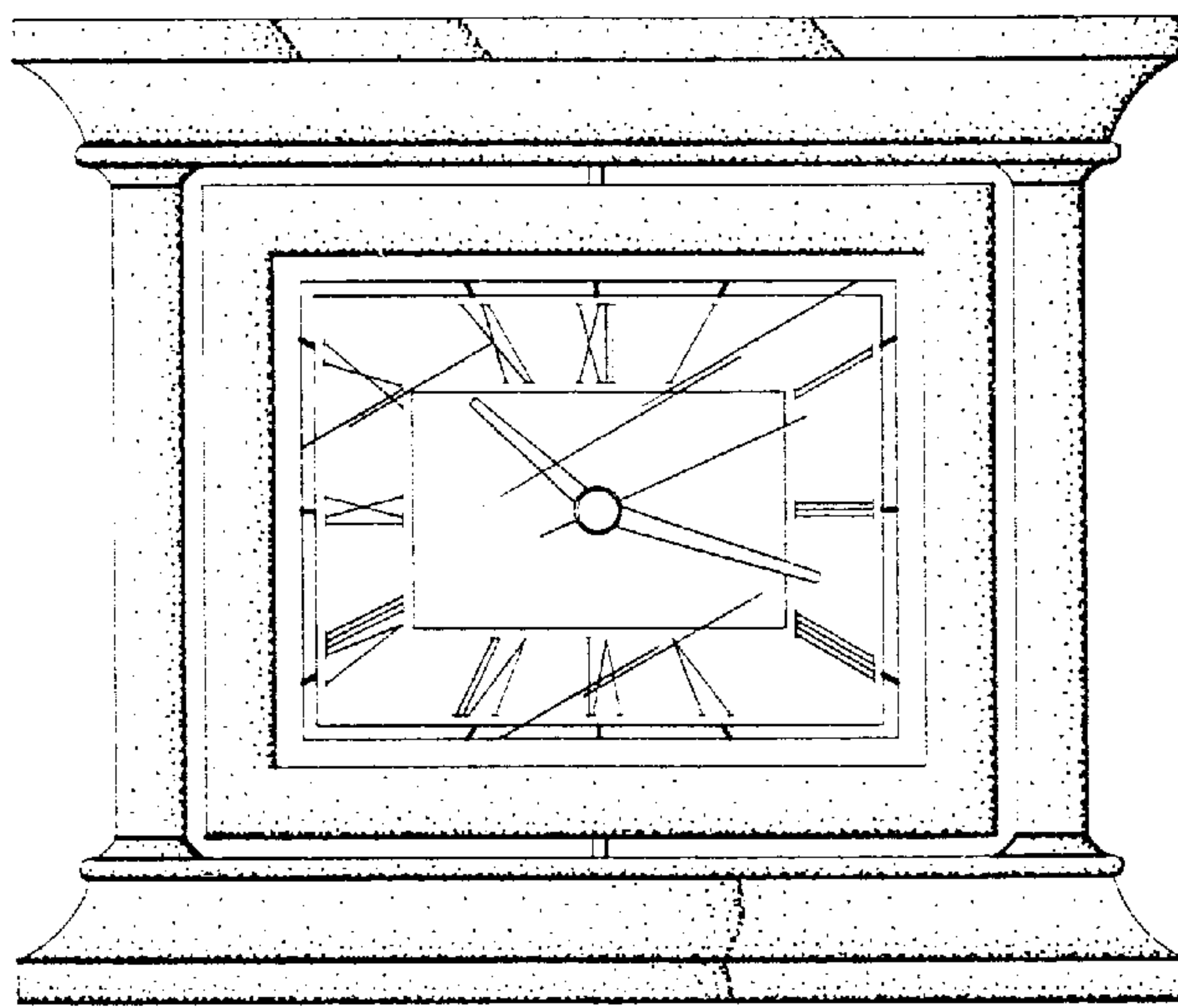


Fig. 2

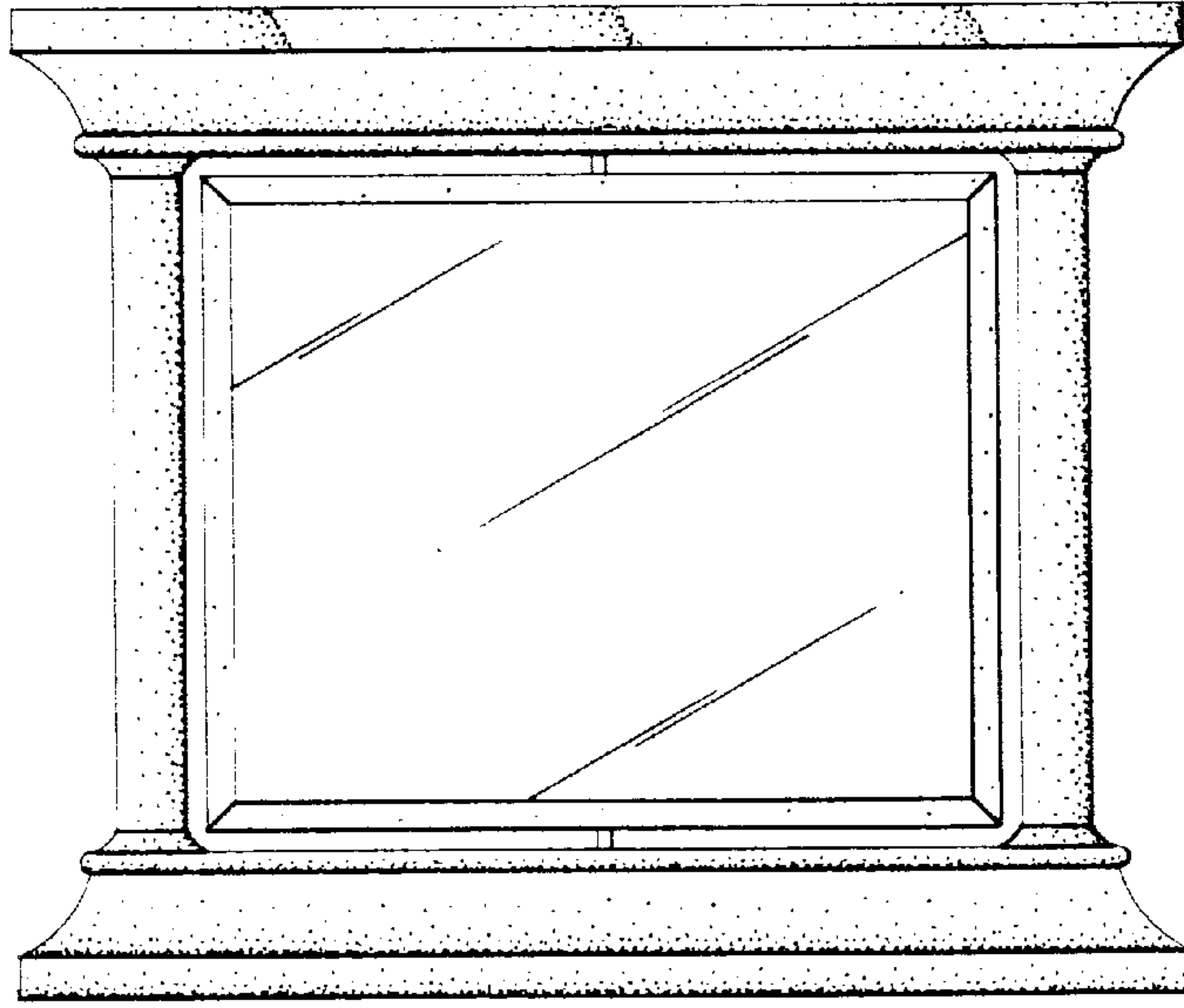


Fig. 3

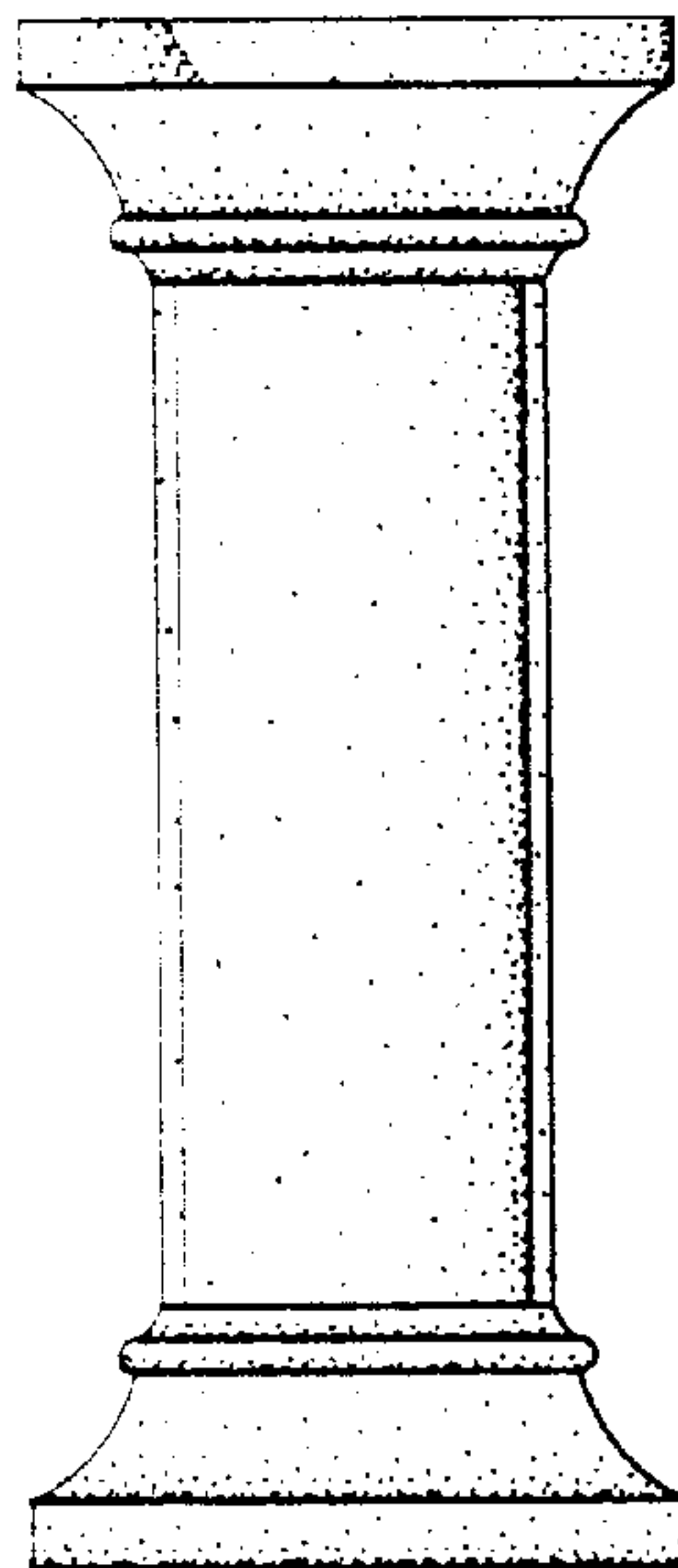


Fig. 4

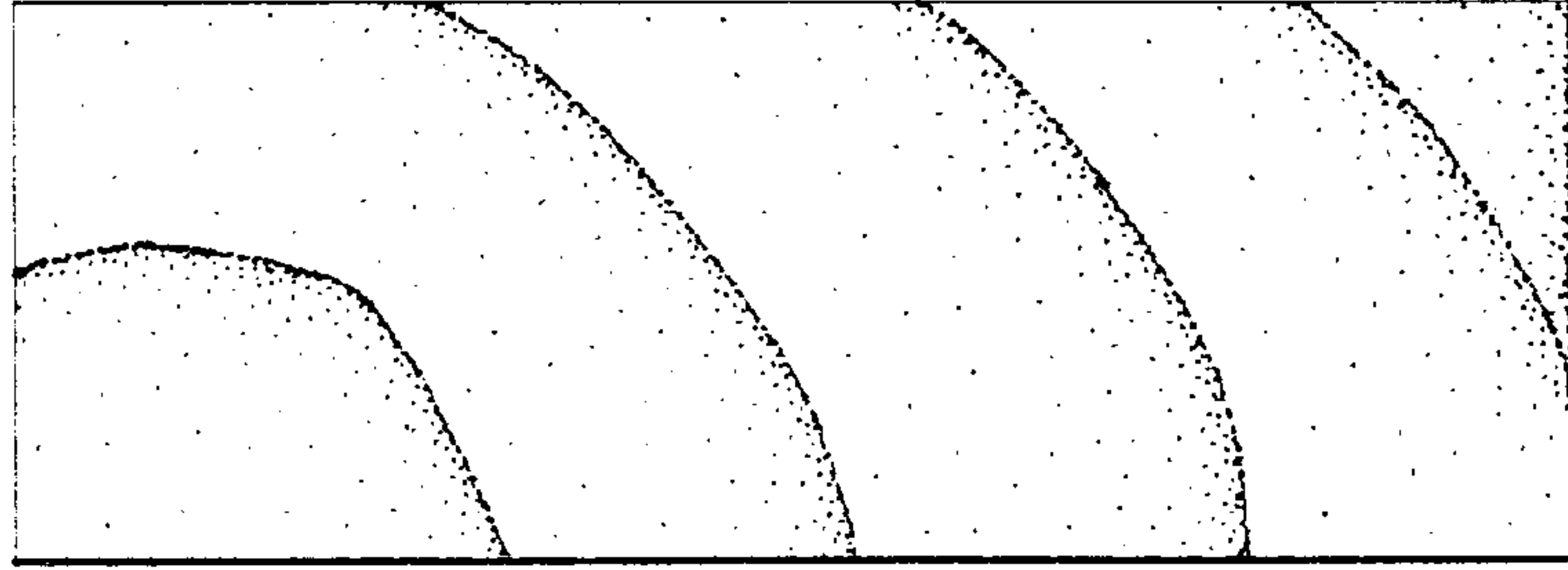


Fig. 5

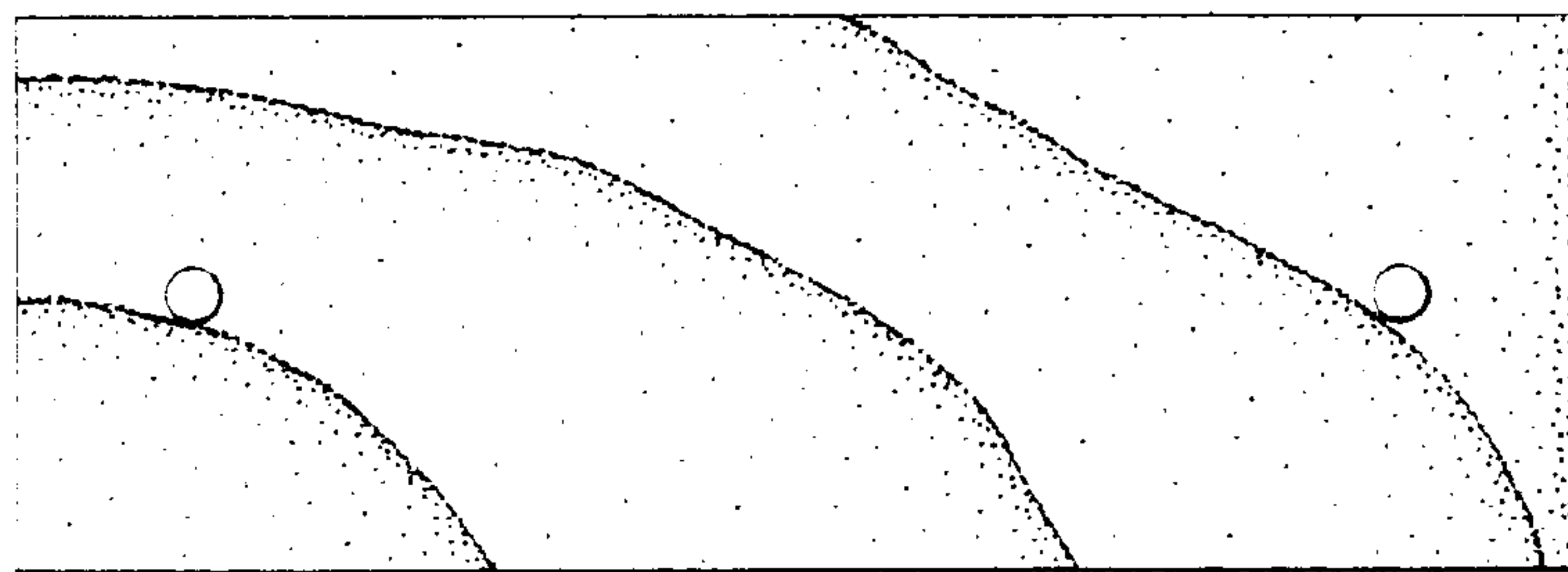


Fig. 6

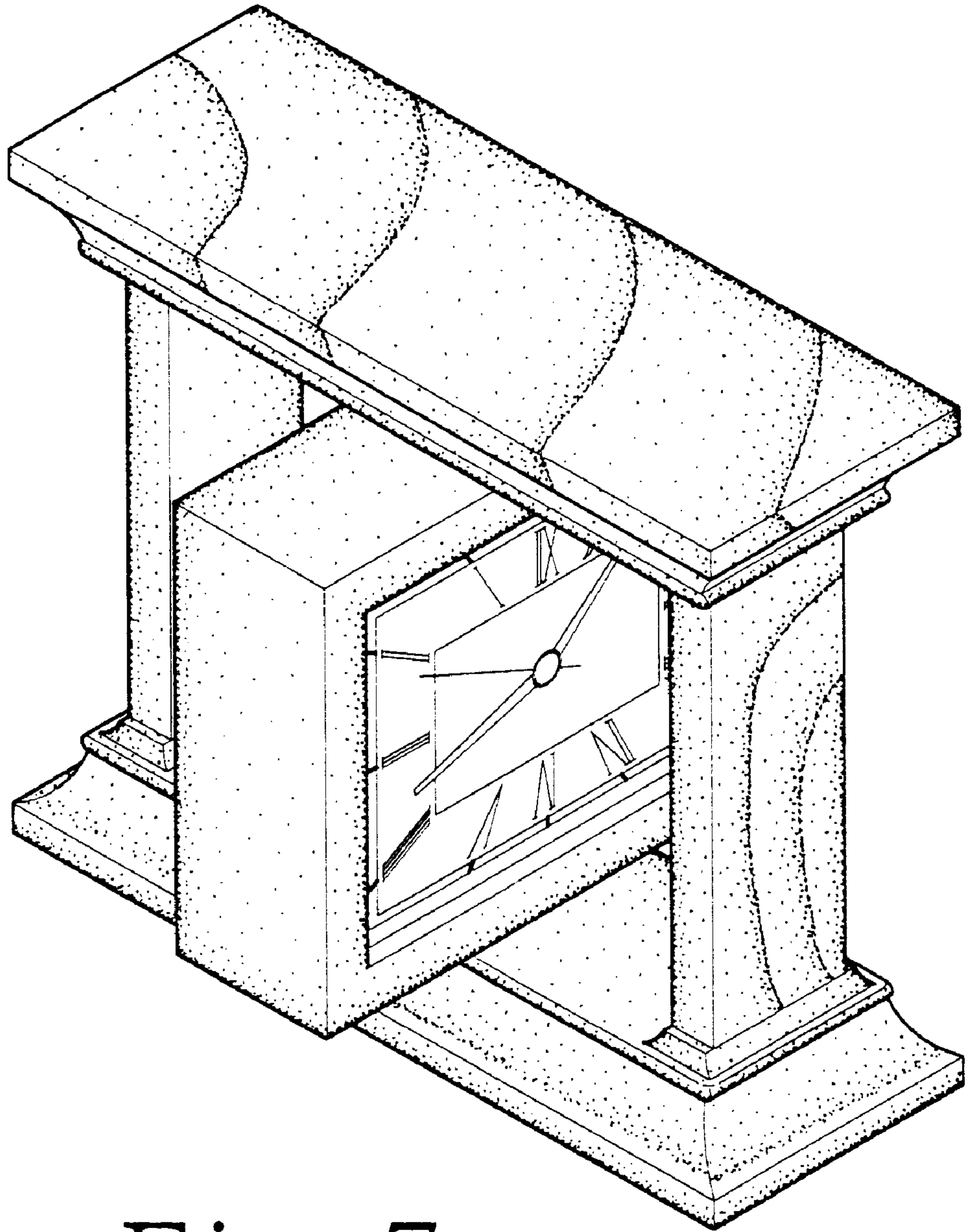


Fig. 7