



US00D416201S

# United States Patent [19]

Pinchuk et al.

[11] Patent Number: **Des. 416,201**

[45] Date of Patent: **\*\* Nov. 9, 1999**

[54] **TWO-PIECE SNAP-TOGETHER TRAVEL COMPANION**

[75] Inventors: **Rene Pinchuk**, Kensington; **Edward C. McKinney**, San Rafael, both of Calif.

[73] Assignee: **Sharper Image Corp.**, San Francisco, Calif.

[\*\*] Term: **14 Years**

[21] Appl. No.: **29/080,363**

[22] Filed: **Dec. 1, 1997**

[51] **LOC (6) Cl.** ..... **10-01**

[52] **U.S. Cl.** ..... **D10/2; D19/21; D10/3; D10/4; D10/53**

[58] **Field of Search** ..... **D10/1, 2-4, 52-53, D10/57, 60; D19/20, 21; 368/10, 11; 40/107, 118**

## [56] References Cited

### U.S. PATENT DOCUMENTS

D. 117,828	11/1939	Bowers .	
D. 151,959	12/1948	Bowers .	
D. 277,297	1/1985	Jennings et al. ....	D19/75
D. 327,017	6/1992	Shih .....	D10/2
D. 352,664	11/1994	Peersman .....	D10/2
D. 377,609	1/1997	Marguerie .....	D10/15
D. 409,095	5/1999	Alesi et al. ....	D10/2
2,465,752	3/1949	Rodbell .	
5,650,982	7/1997	Takenaka et al. ....	368/10

*Primary Examiner*—Nelson C. Holtje  
*Attorney, Agent, or Firm*—Flehr Hohbach Test Albritton & Herbert LLP

## [57] CLAIM

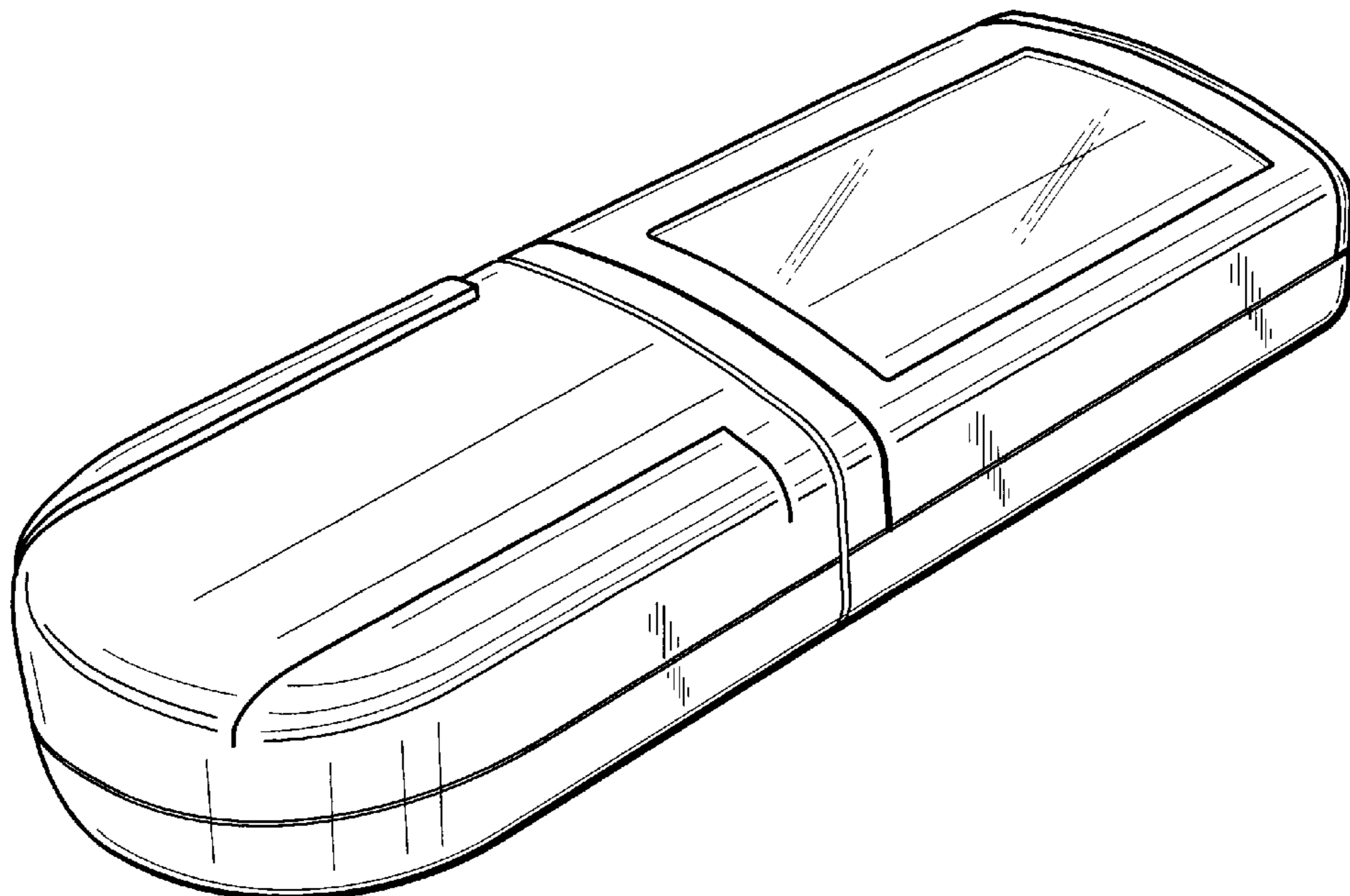
We claim the ornamental design for a two-piece snap-together travel companion, as shown and described.

## DESCRIPTION

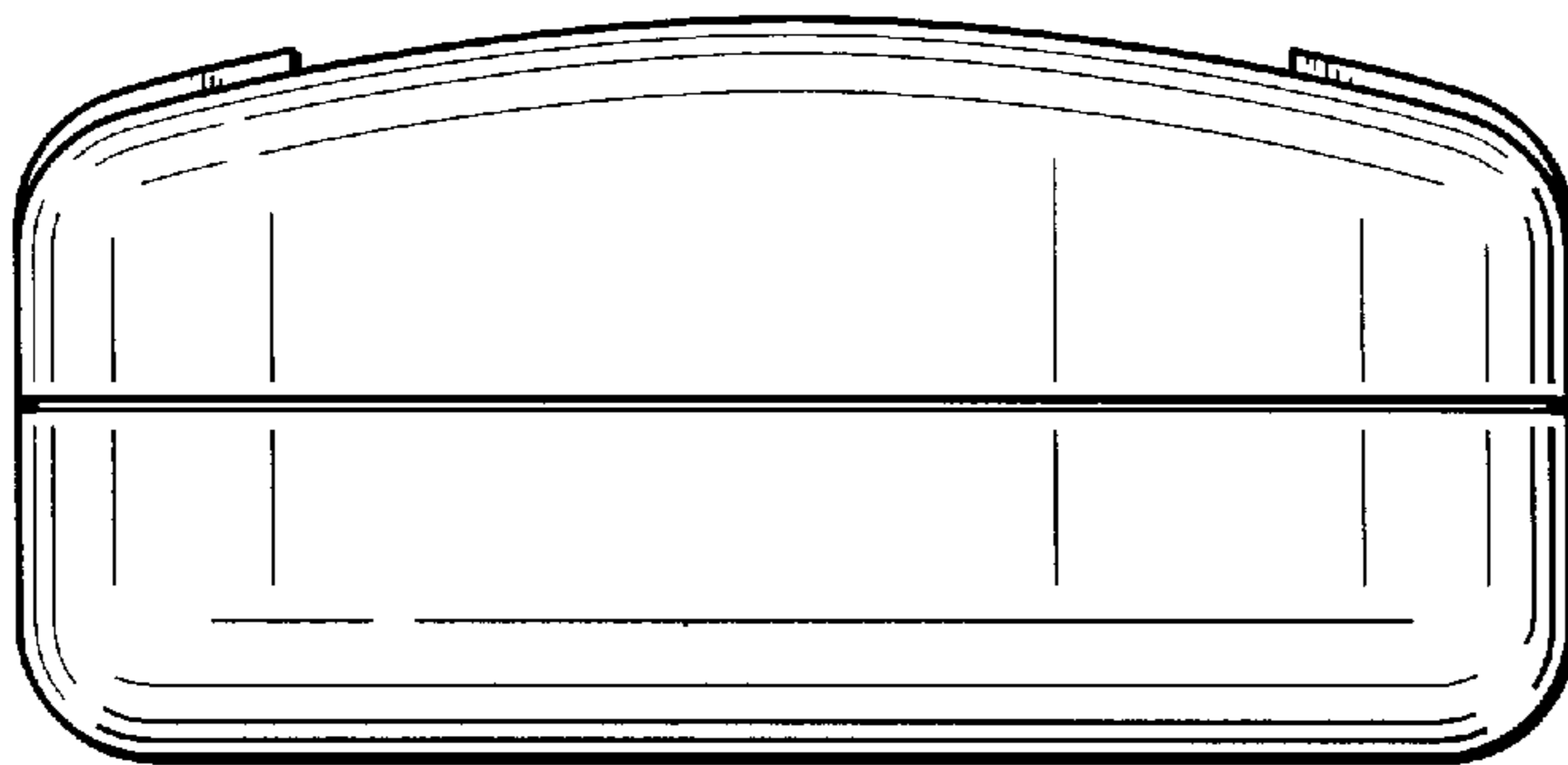
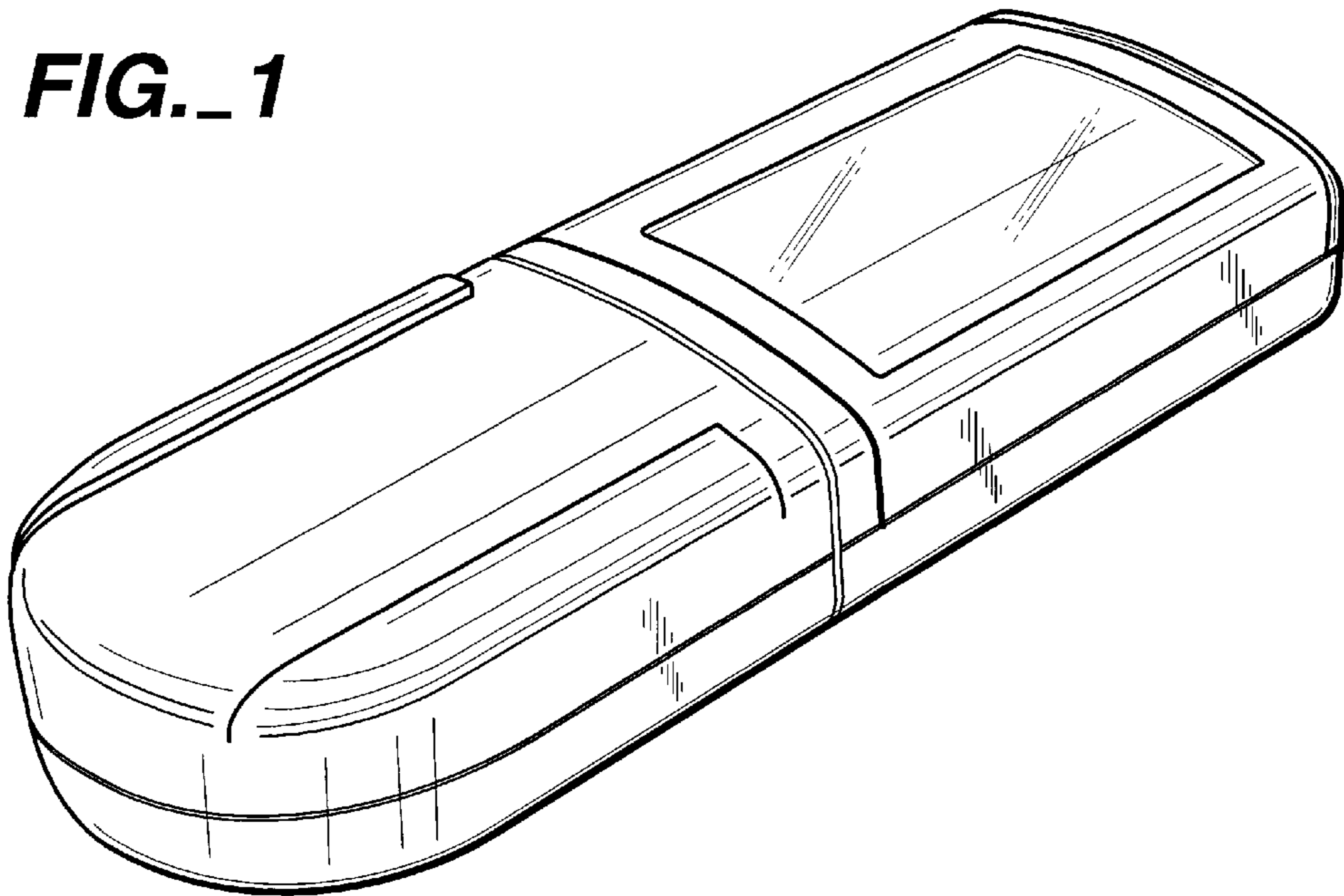
FIG. 1 is a perspective view of a first embodiment of a two-piece snap-together travel companion in a snapped-together closed disposition, showing our new design; FIG. 2 is a top plan view of the invention of FIG. 1; FIG. 3 is a front view of the invention of FIG. 1; FIG. 4 is a bottom plan view of the invention of FIG. 1; FIG. 5 is a back view of the invention of the invention of FIG. 1; FIG. 6 is a right side elevation view of the invention of FIG. 1; FIG. 7 is a left side elevation view of the invention of FIG. 1; FIG. 8 is a perspective view of the embodiment of FIG. 1 showing the two pieces separated with the lid portion of the right-hand piece hinged open; FIG. 9 is a top plan view of the right-hand piece shown in FIG. 8; FIG. 10 is a front view of the right-hand piece shown in FIG. 8; FIG. 11 is a bottom plan view of the right-hand piece shown in FIG. 8; FIG. 12 is a back view of the right-hand piece shown in FIG. 8; FIG. 13 is a right side view of the right-hand piece shown in FIG. 8; and, FIG. 14 is a left side view of the right-hand piece shown in FIG. 8.

Applicant's invention is an ornamental design for a two-piece snap-together travel companion intended for use by a traveler to electronically warn against danger from an intruder and/or smoke, as well as to advise the traveler of time and/or date and/or ambient temperature.

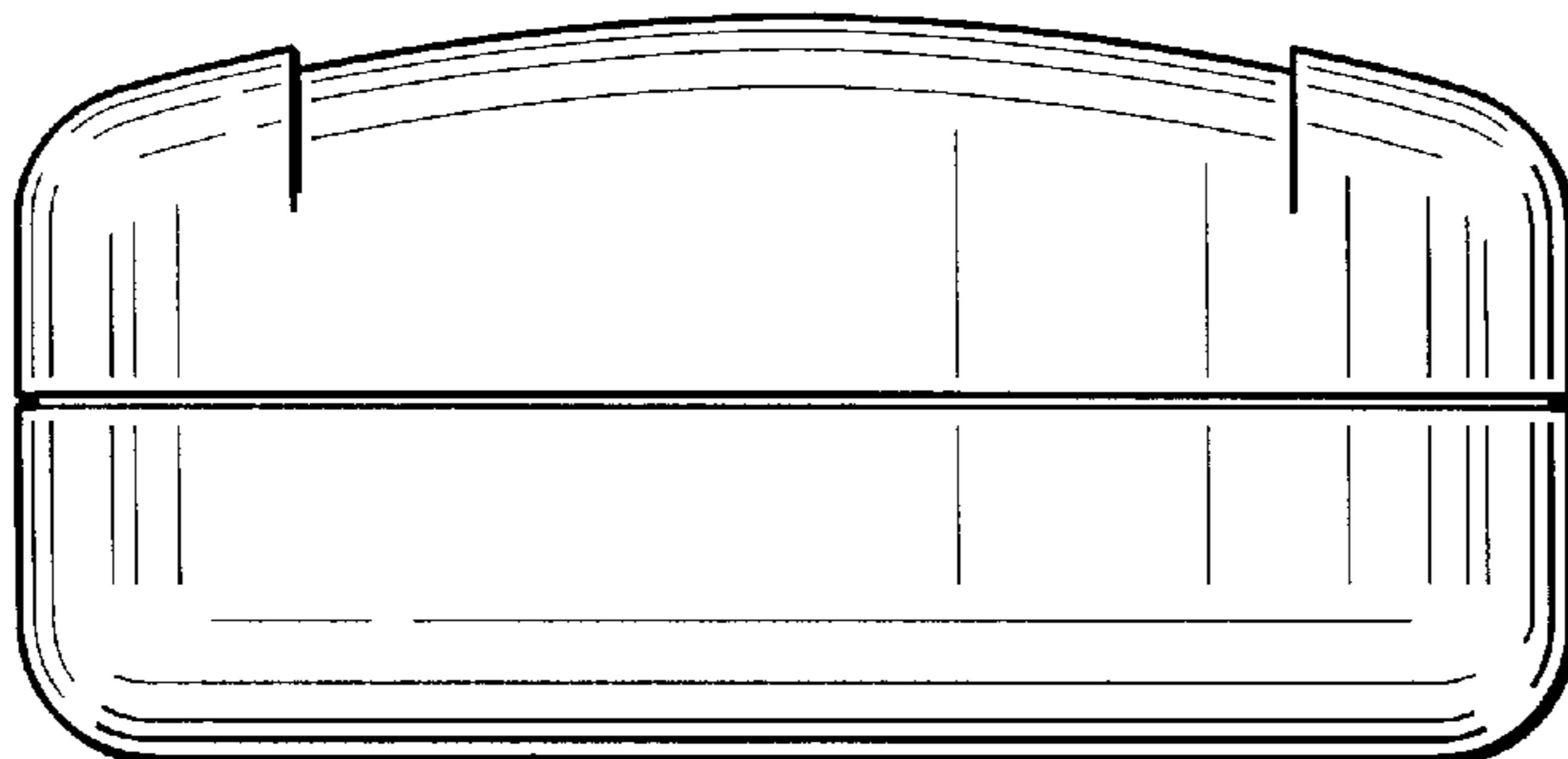
**1 Claim, 7 Drawing Sheets**



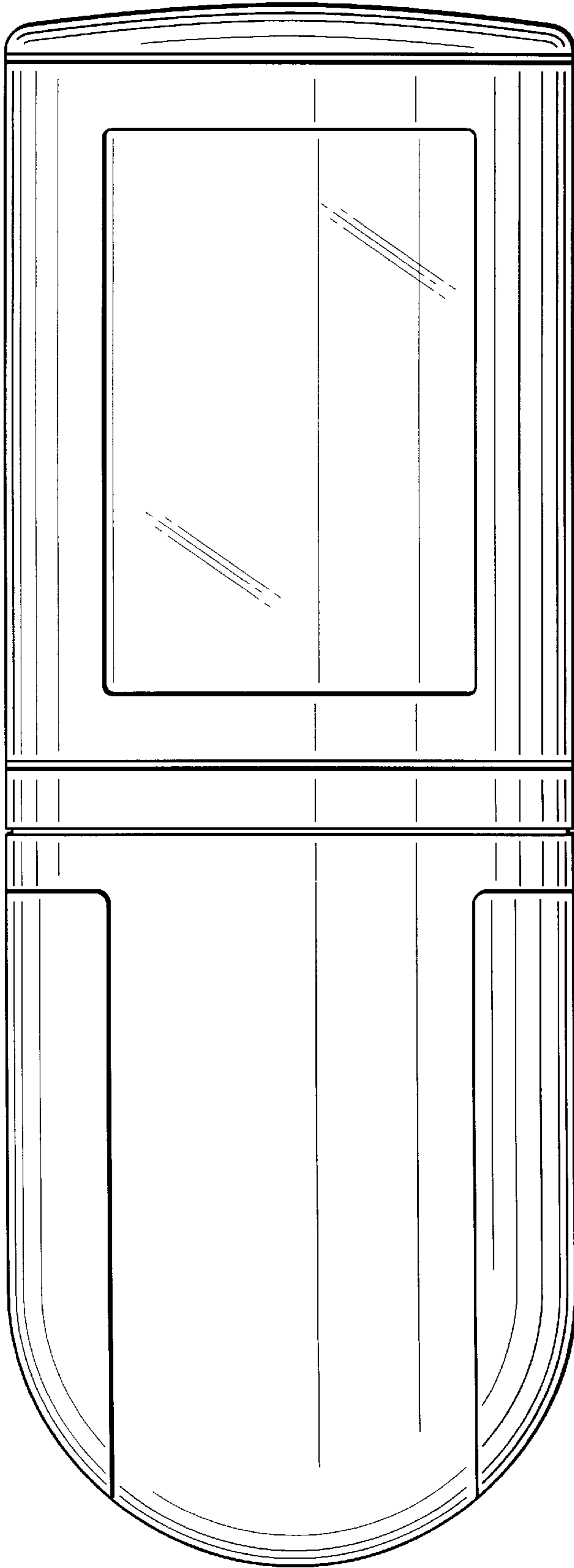
**FIG.\_1**



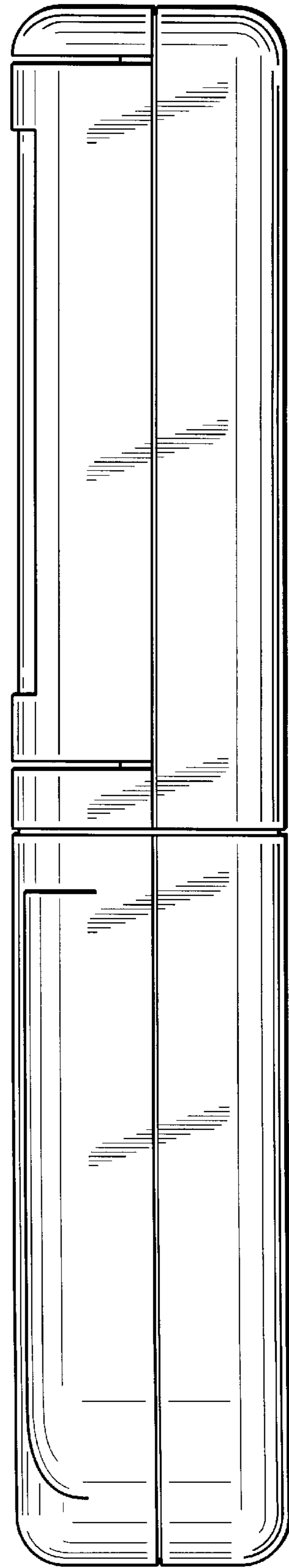
**FIG.\_6**



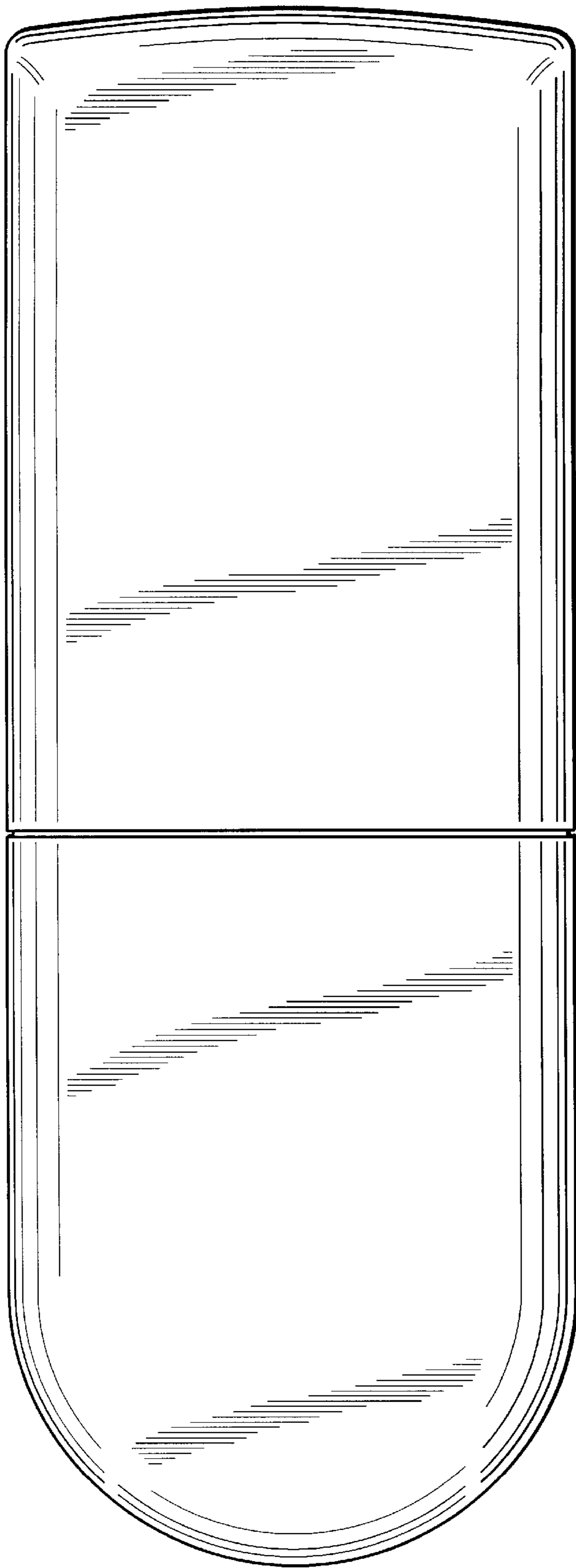
**FIG.\_7**



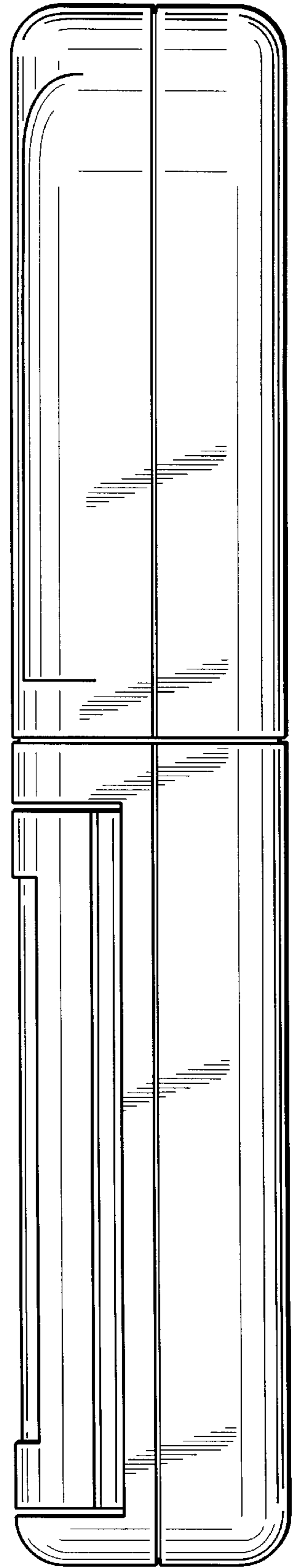
**FIG. 2**



**FIG. 3**



**FIG. 4**



**FIG. 5**



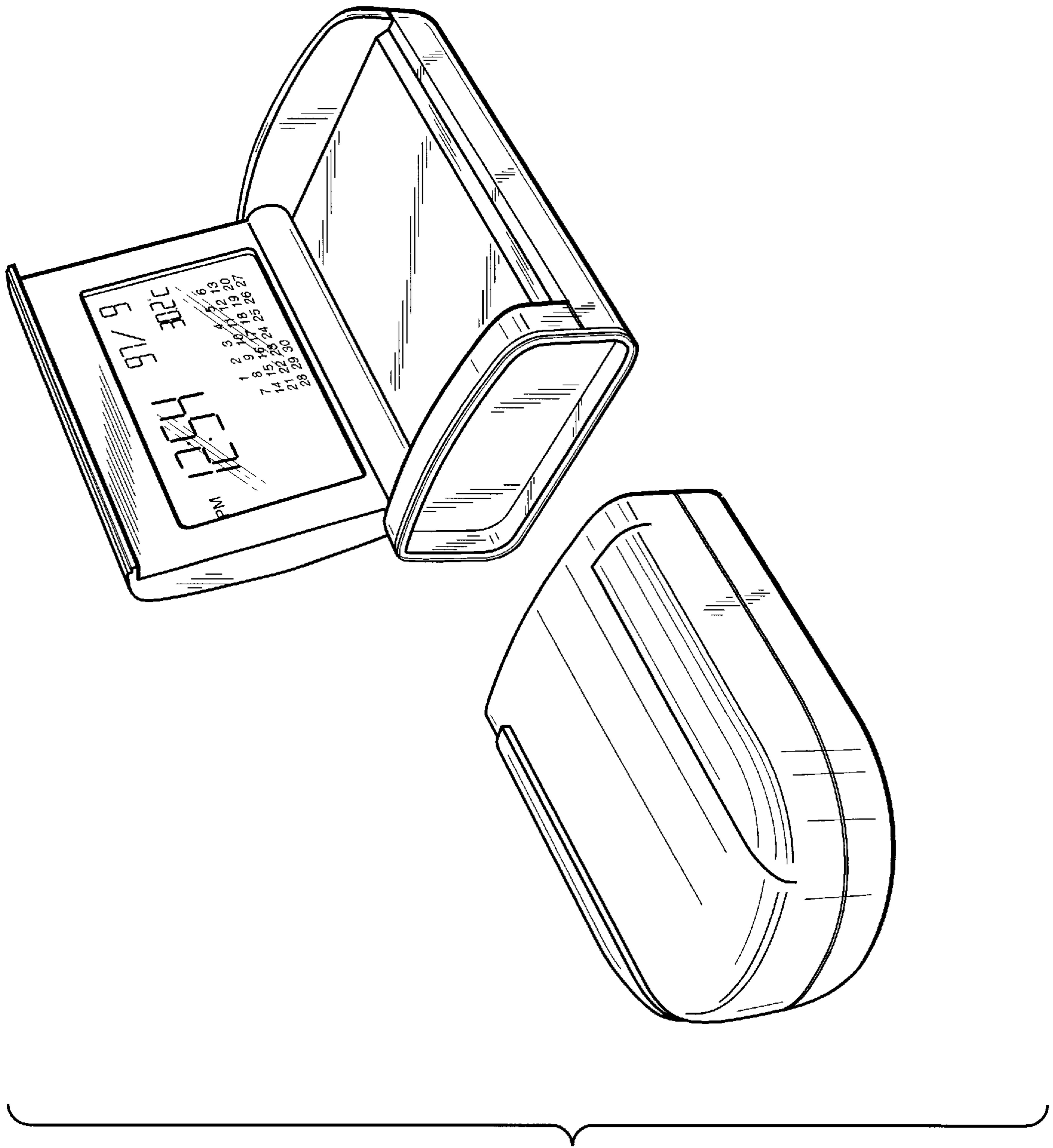
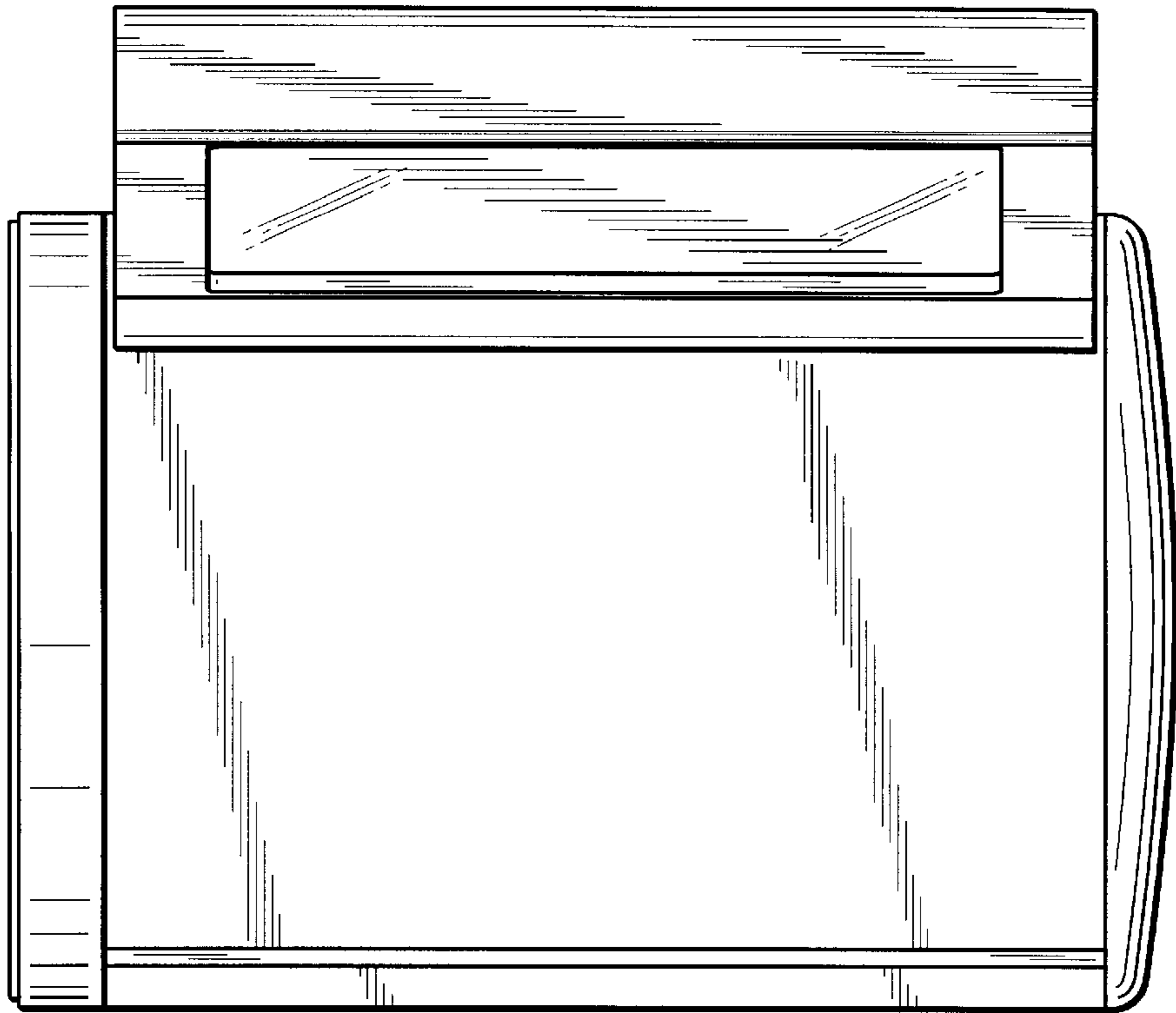
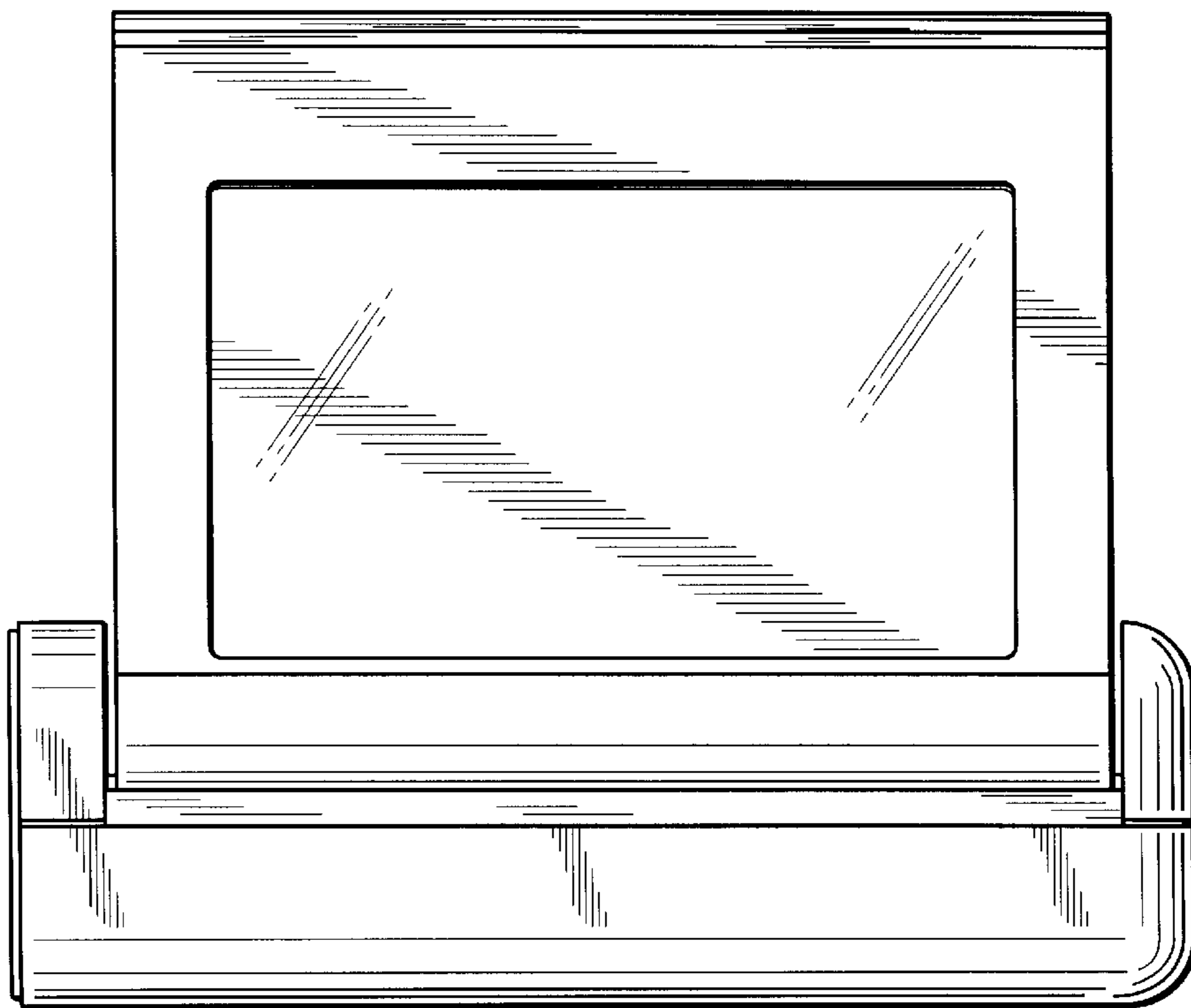


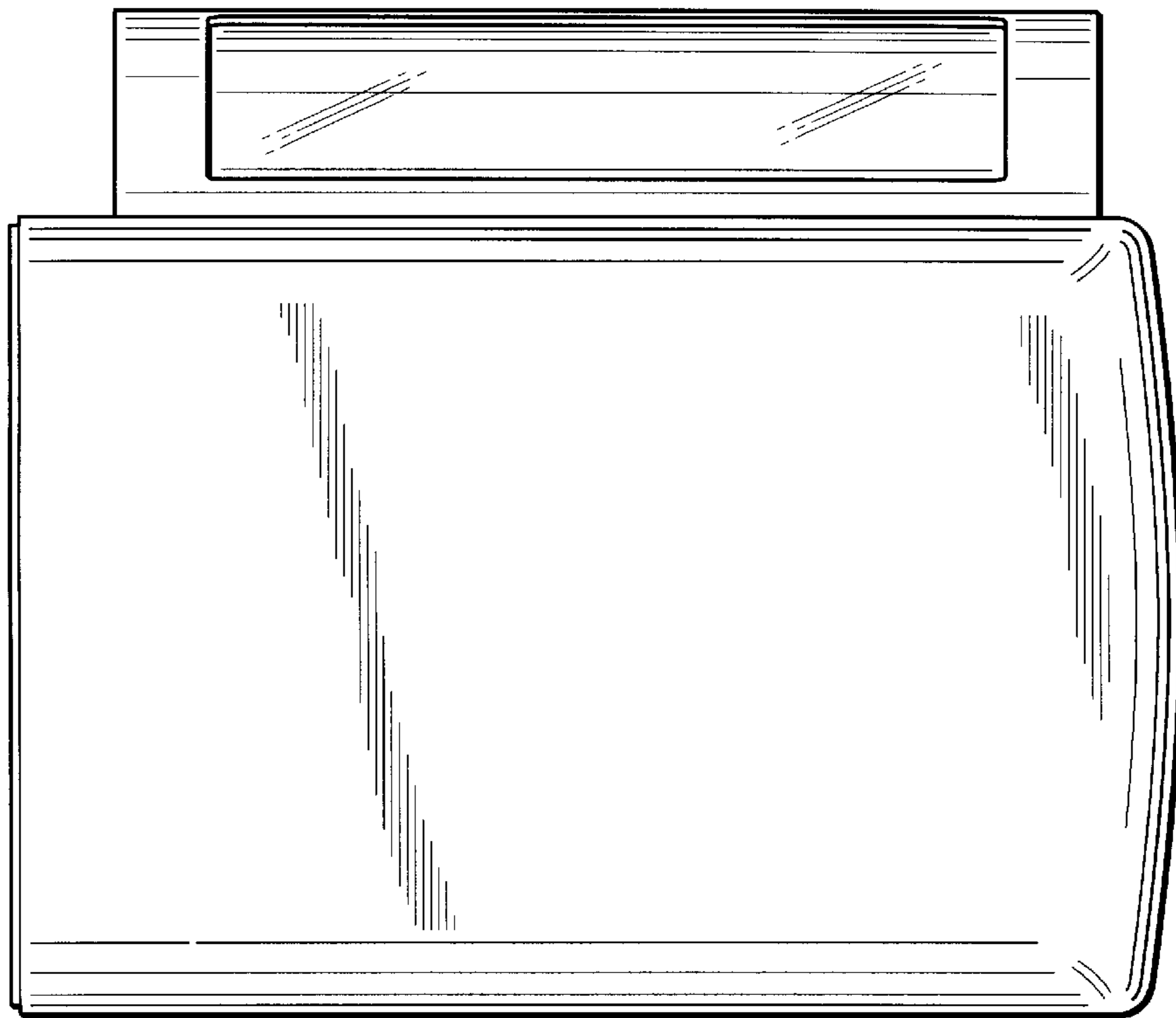
FIG.-8



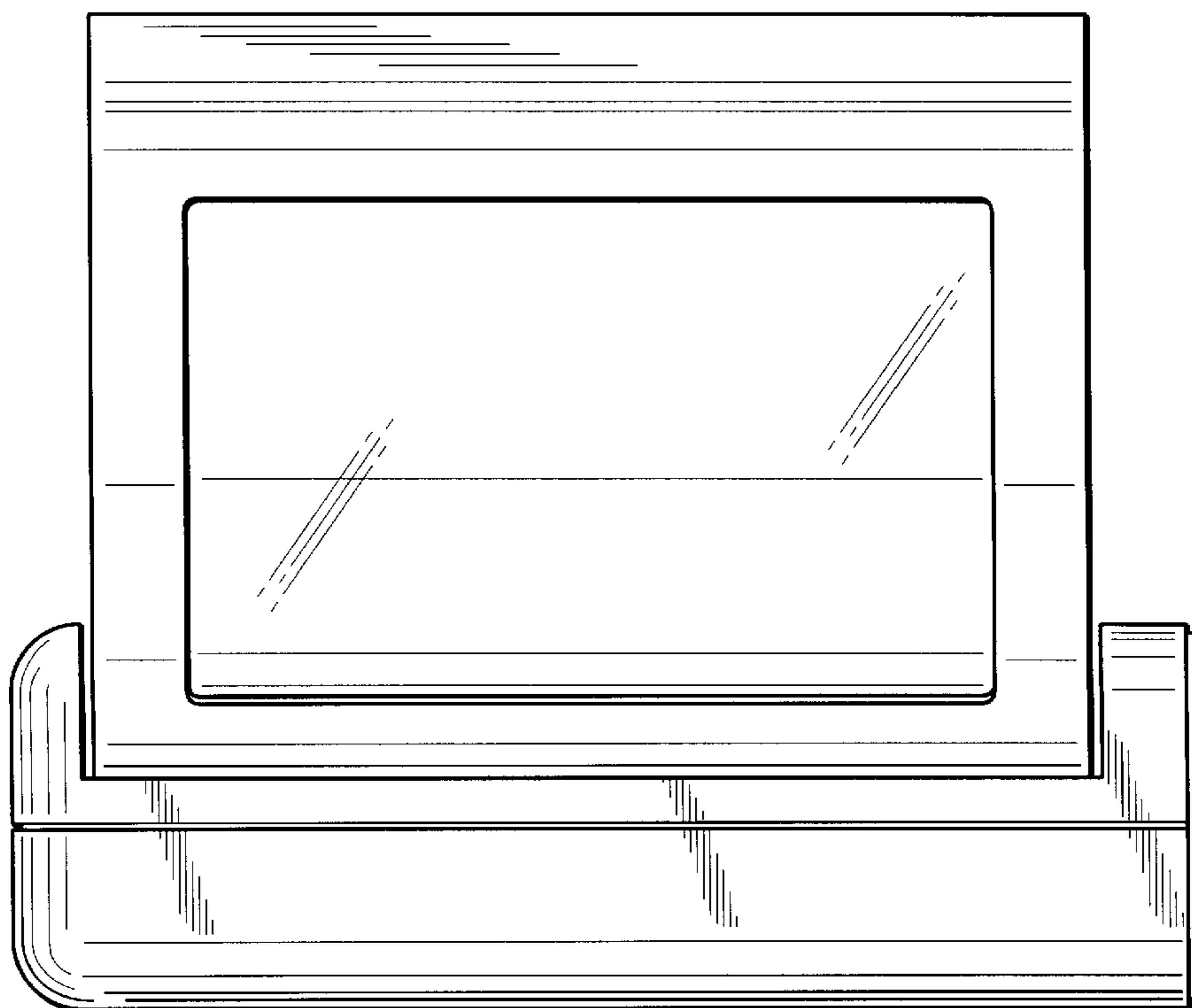
**FIG. 9**



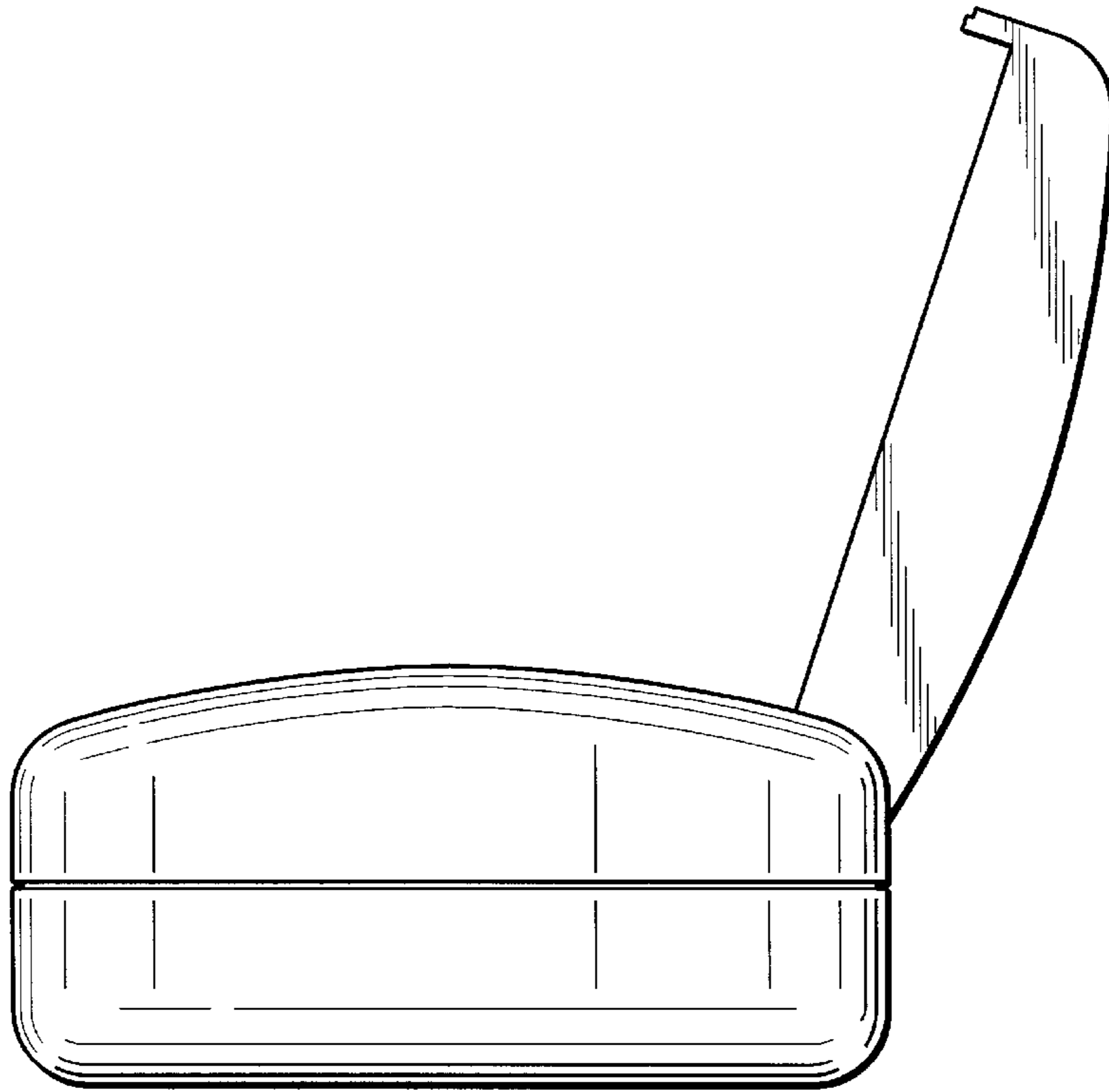
**FIG. 10**



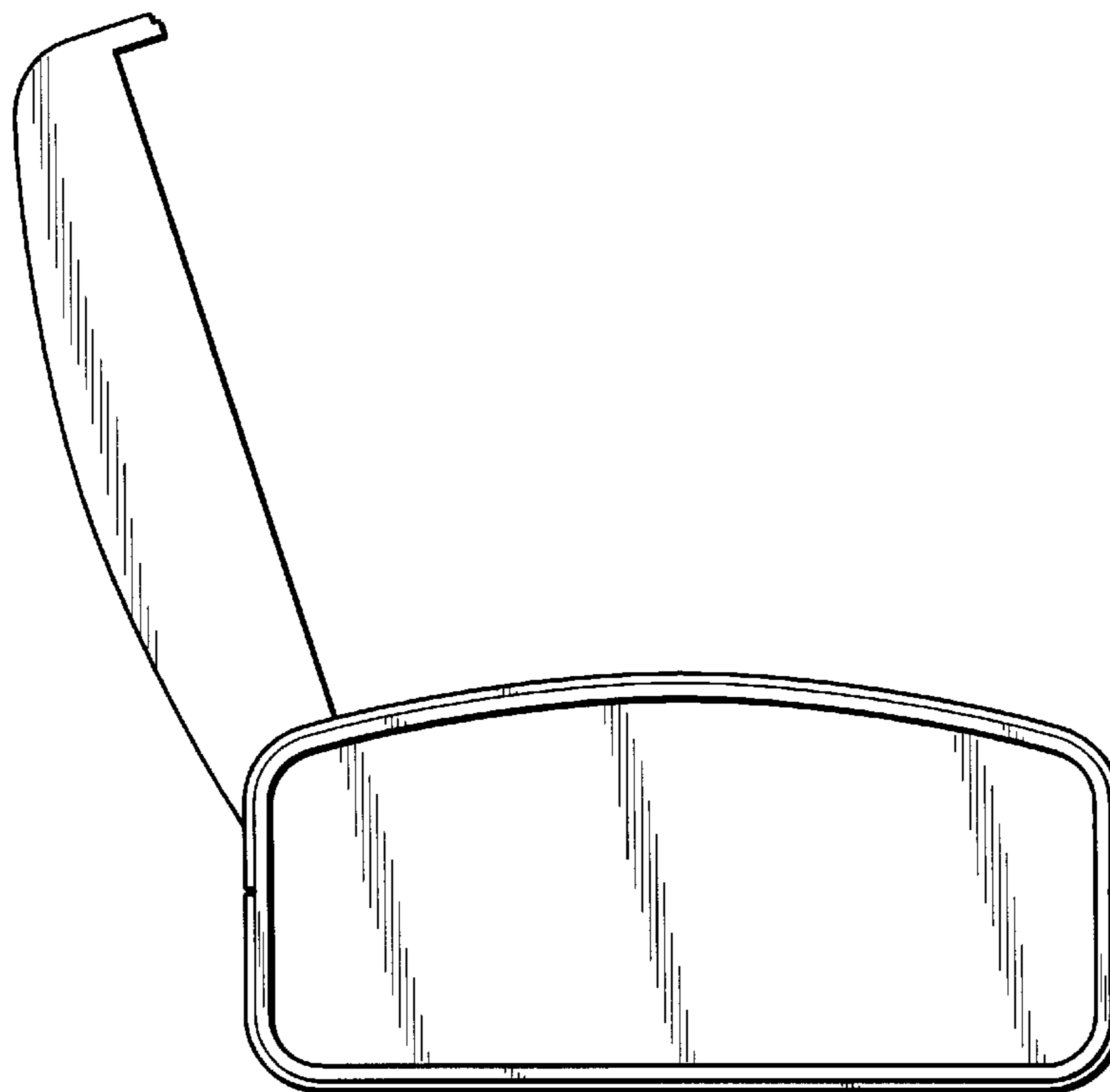
**FIG. 11**



**FIG. 12**



**FIG.\_13**



**FIG.\_14**