



US00D416197S

# United States Patent [19] Guiard

[11] **Patent Number: Des. 416,197**

[45] **Date of Patent: \*\* Nov. 9, 1999**

[54] **PACKAGING FOR A SOLID OR PASTY PRODUCT**

[76] Inventor: **Jacques Guiard**, 72, Avenue  
D'Orleans, F-45450 Donnery, France

[\*\*] Term: **14 Years**

[21] Appl. No.: **29/082,458**

[22] Filed: **Jan. 22, 1998**

[51] **LOC (6) Cl.** ..... **09-07**

[52] **U.S. Cl.** ..... **D9/422**

[58] **Field of Search** ..... D9/414, 423, 424,  
D9/419, 428, 415; D19/35, 39, 51, 54;  
D28/76, 61, 62; 206/232, 581, 1.7, 1.8,  
1.9

[56] **References Cited**

**U.S. PATENT DOCUMENTS**

D. 307,492 4/1990 Whitney ..... D28/61  
2,676,428 4/1954 Silver ..... 206/1.7

3,402,093 9/1968 Riva ..... 206/1.8 V  
3,732,972 5/1973 Israel ..... 206/1.7  
4,884,680 12/1989 Israel et al. .... 206/1.9 X  
4,903,840 2/1990 So ..... 206/581  
5,031,647 7/1991 Seidler ..... 206/581 X  
5,379,886 1/1995 Brauner et al. .... 206/462 X

*Primary Examiner*—Prabhakar Deshmukh  
*Attorney, Agent, or Firm*—Arthur L. Plevy

[57] **CLAIM**

The ornamental design for a packaging for a solid or pasty product, as shown and described.

**DESCRIPTION**

FIG. 1 is an exploded perspective view of a packaging for a solid or pasty product showing my new design; FIG. 2 is a perspective view of a second embodiment of FIG. 1; shown is an assembled position; and, FIG. 3 is a sectional view taken along line 3—3 of FIG. 2. The broken line showing of a board is for illustrative purpose only and forms no part of the claimed design.

**1 Claim, 1 Drawing Sheet**

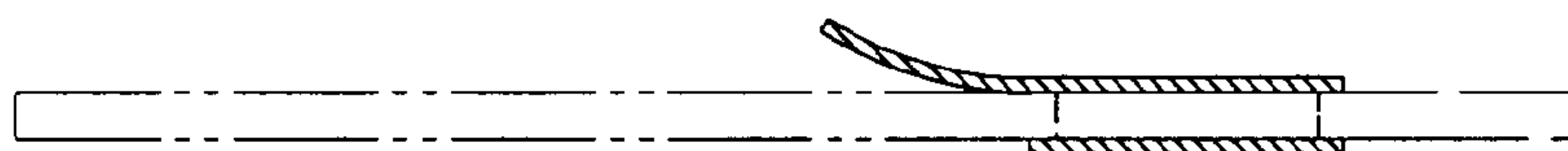
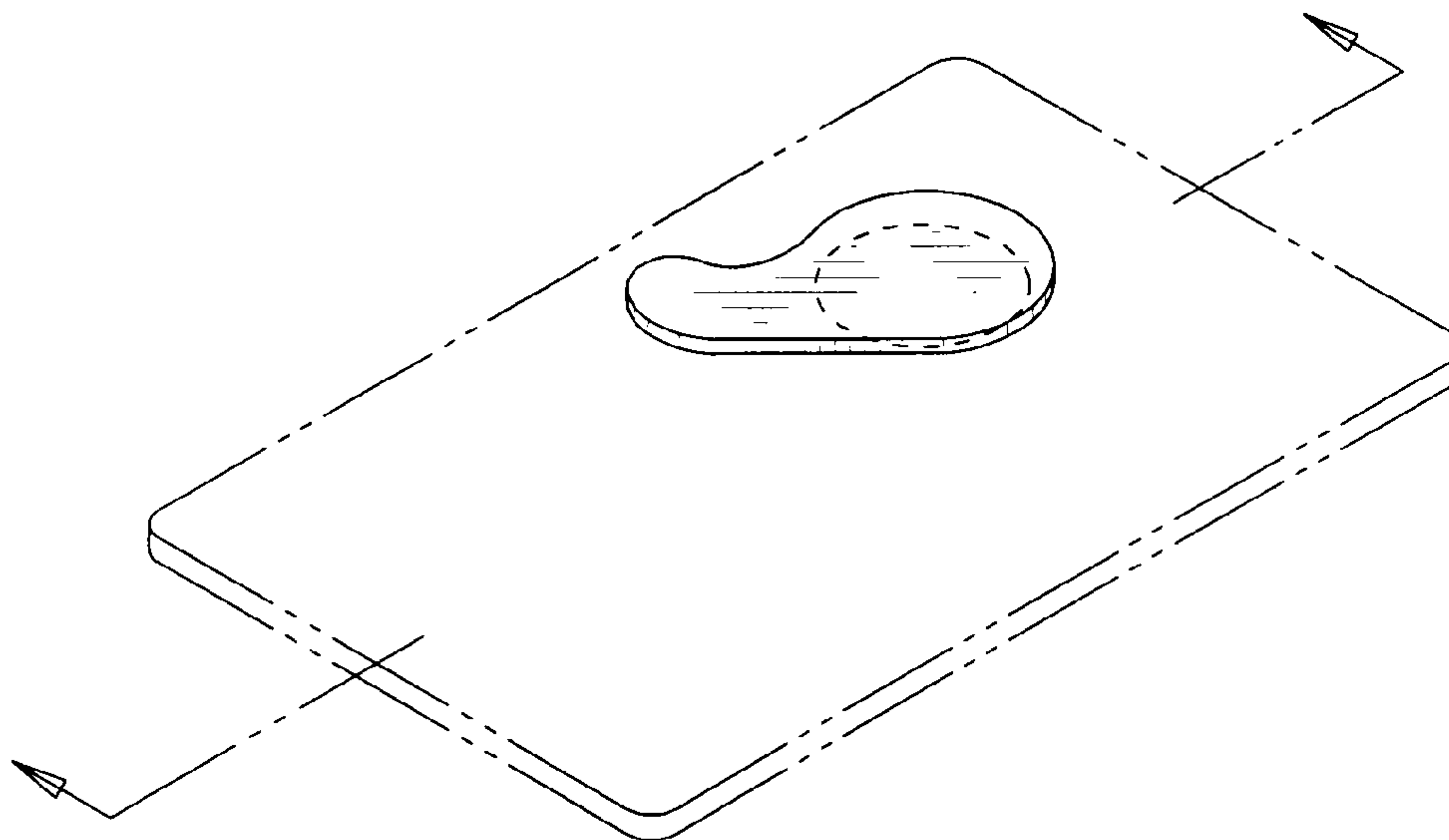


FIG. 1

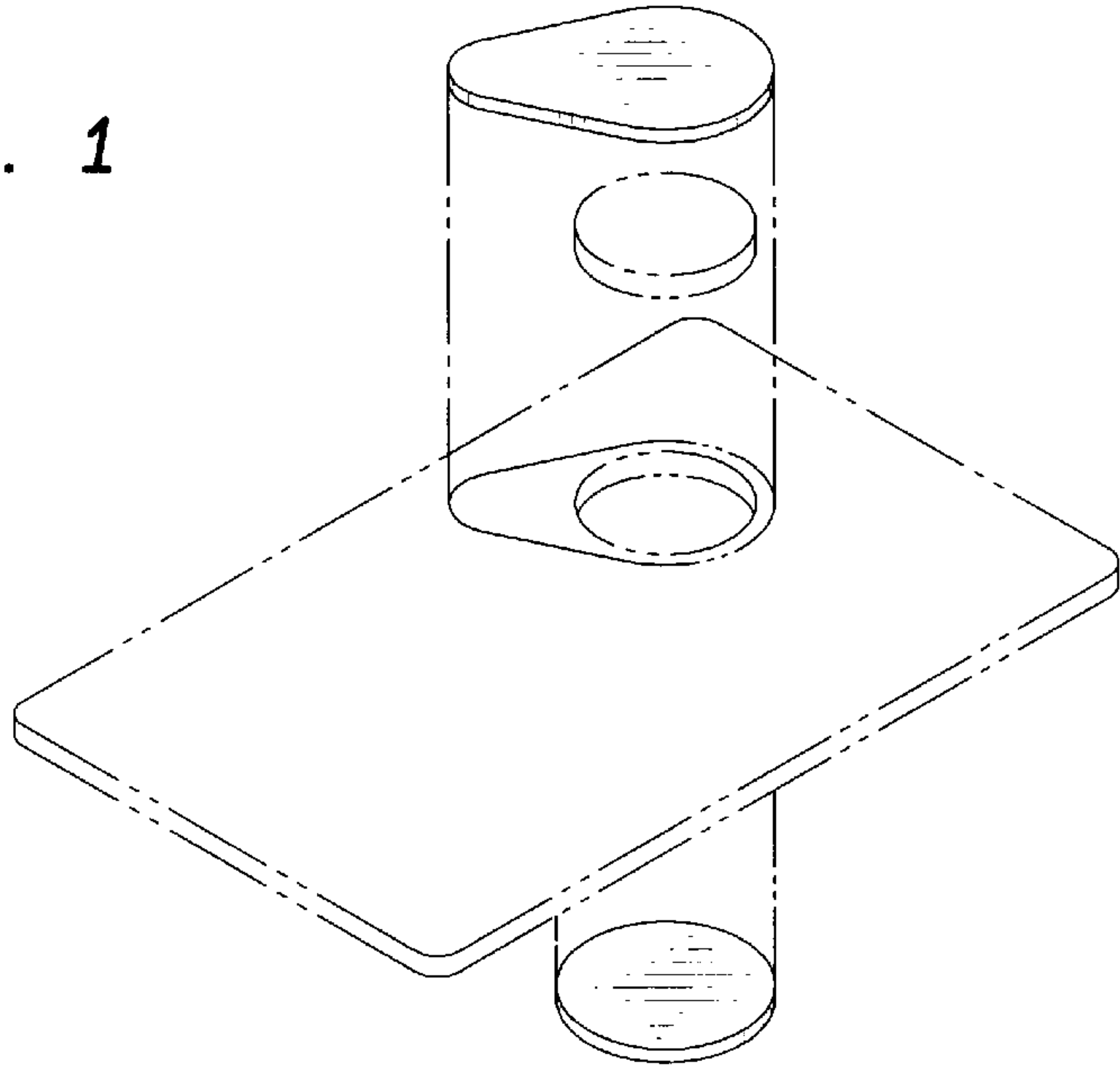


FIG. 2

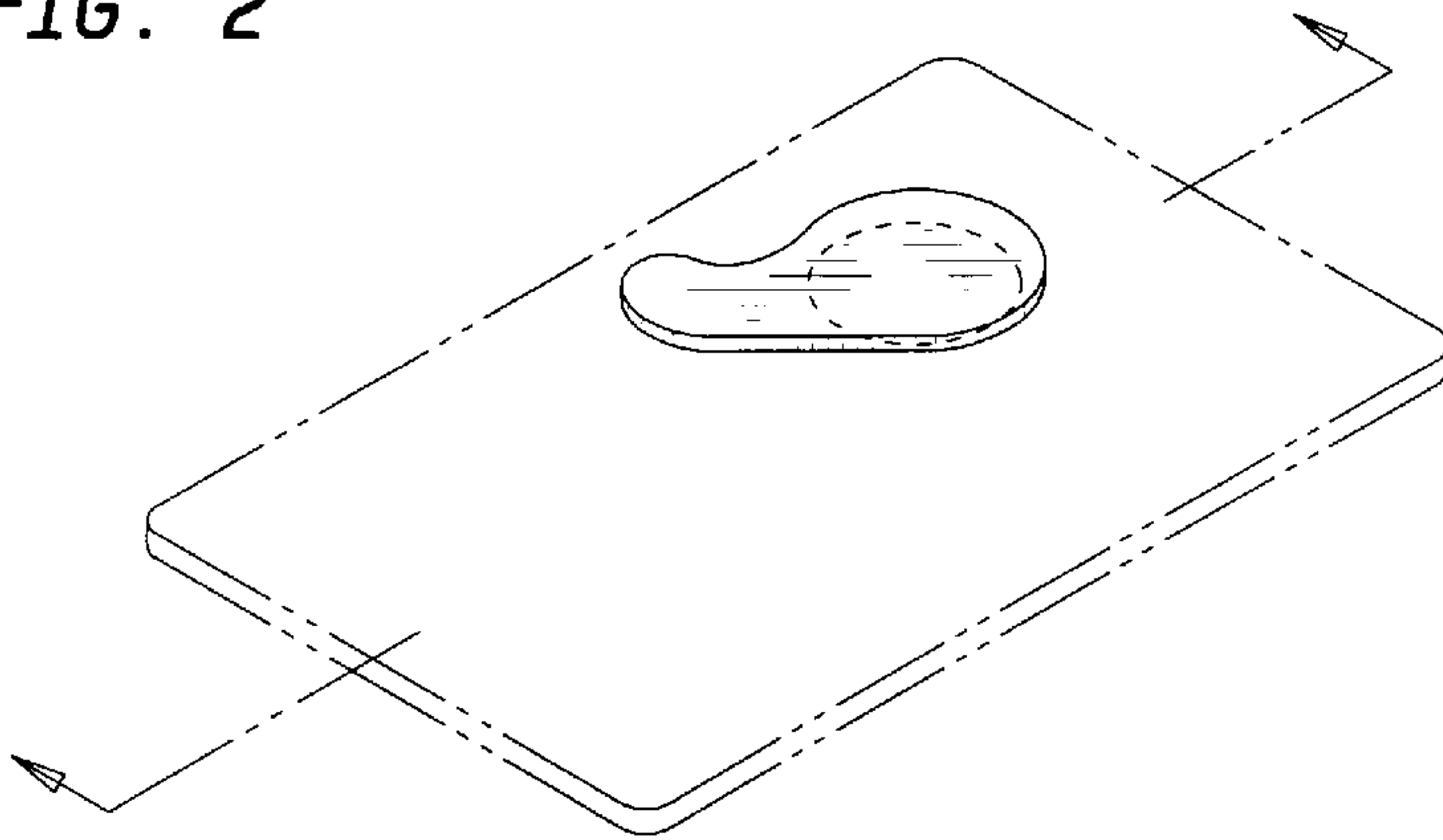


FIG. 3

