



US00D416196S

United States Patent [19]
Noble

[11] **Patent Number: Des. 416,196**

[45] **Date of Patent: ** Nov. 9, 1999**

[54] **7 DAY SYRINGE ORGANIZER**

[75] Inventor: **Terrance O. Noble**, Burnsville, Minn.

[73] Assignee: **Apothecary Products, Inc.**, Burnsville, Minn.

[**] Term: **14 Years**

[21] Appl. No.: **29/096,820**

[22] Filed: **Nov. 20, 1998**

[51] **LOC (6) Cl.** **09-03**

[52] **U.S. Cl.** **D9/341; D3/203**

[58] **Field of Search** **D3/201-203; D9/339, D9/341, 338; D28/73, 76, 99; D24/130, 226; 206/531, 570, 776, 828**

[56] **References Cited**

U.S. PATENT DOCUMENTS

D. 253,933	1/1980	Bridges	D9/341
D. 271,081	10/1983	Noble	D9/341
D. 281,145	10/1985	Moe	D9/341
D. 281,225	11/1985	Leman	D9/341
D. 304,905	12/1989	Zimmerman	D9/341
D. 321,648	11/1991	Ricci	D9/341
D. 349,850	8/1994	Leman	D9/341
D. 354,351	1/1995	Kochansky et al.	D24/130
3,397,770	8/1968	Howard et al.	206/539
3,537,422	11/1970	Moe	206/534

3,807,551	4/1974	Ankney	206/539
4,208,983	6/1980	Buckley	116/205
4,372,445	2/1983	Keffeler	206/532
4,522,302	6/1985	Paikoff	206/570
4,735,318	4/1988	Keffeler	206/532
4,741,441	5/1988	Keffeler	206/532
4,767,008	8/1988	Warnecke et al.	206/570
5,011,018	4/1991	Keffeler	206/532
5,040,678	8/1991	Lenmark, Sr. et al.	206/443

Primary Examiner—Celia Murphy
Attorney, Agent, or Firm—Merchant & Gould P.C.

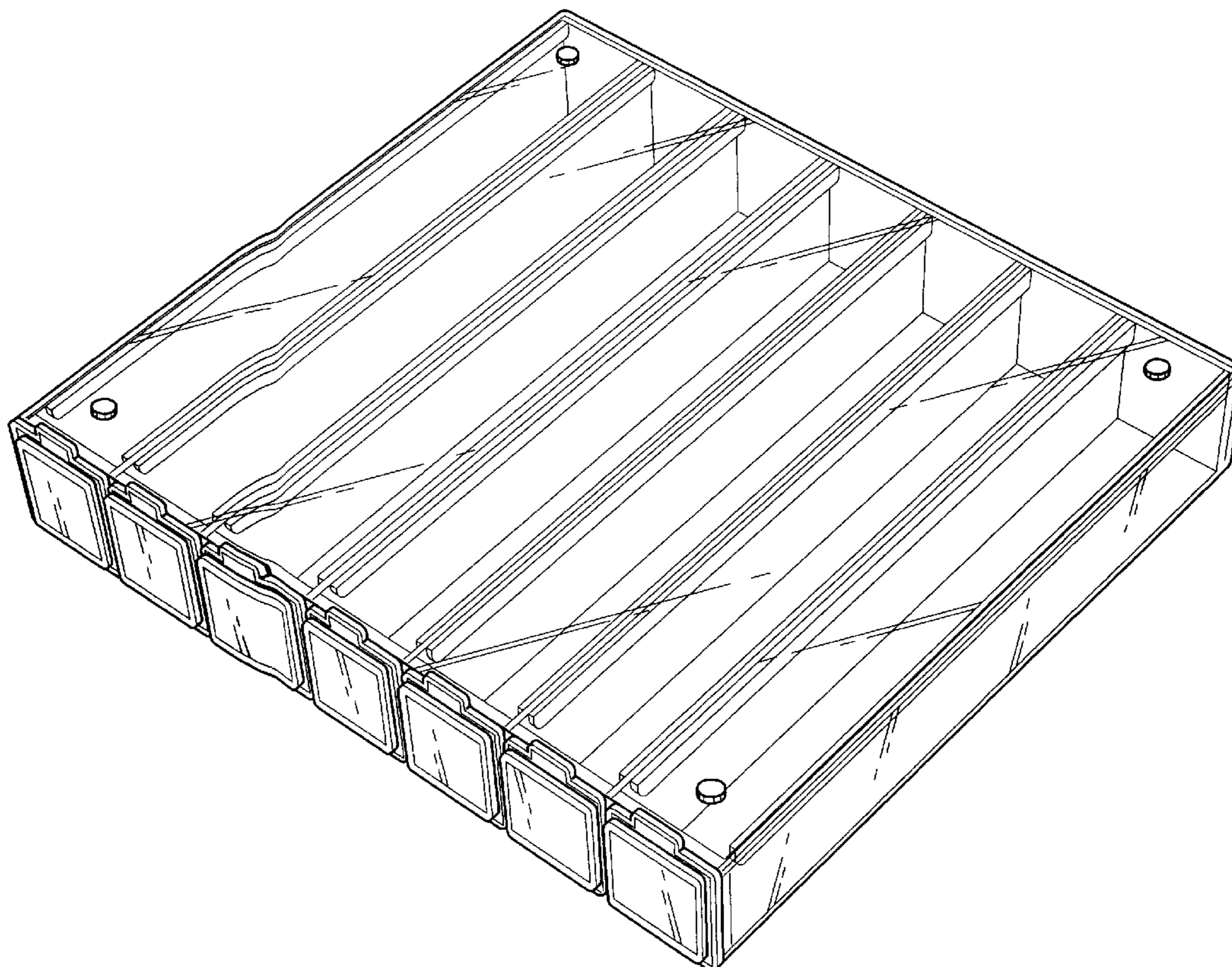
[57] **CLAIM**

The ornamental design for 7 day syringe organizer, as shown and described.

DESCRIPTION

FIG. 1 is a perspective view of a 7 day syringe organizer as viewed from the front, top and side thereof;
FIG. 2 is an elevational view of one side of the 7 day syringe organizer, the opposite side being a mirror image thereof;
FIG. 3 is an elevational view of the front of the 7 day syringe organizer;
FIG. 4 is an elevational view of the rear of the 7 day syringe organizer;
FIG. 5 is a top plan view of the 7 day syringe organizer; and,
FIG. 6 is a bottom plan view of the 7 day syringe organizer.

1 Claim, 4 Drawing Sheets



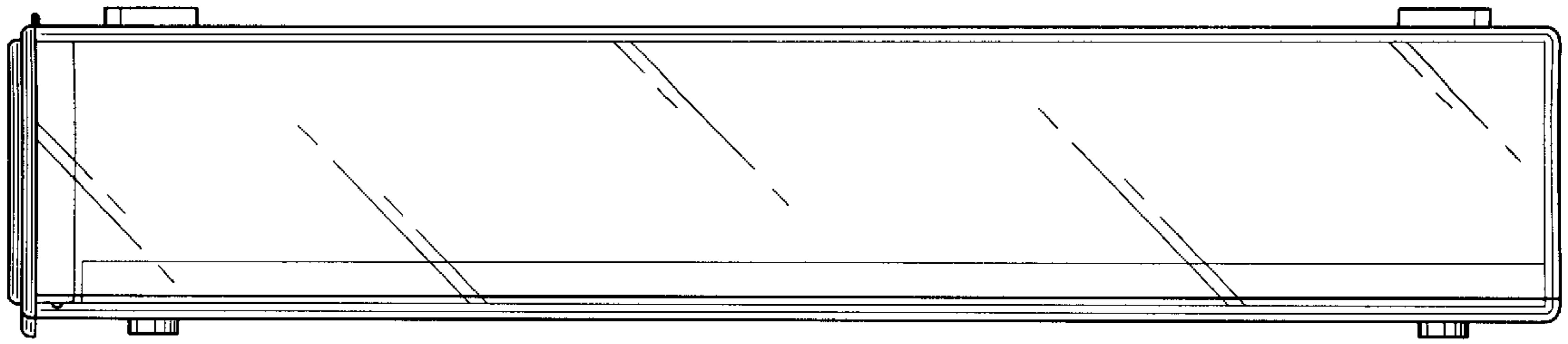


FIG. 2

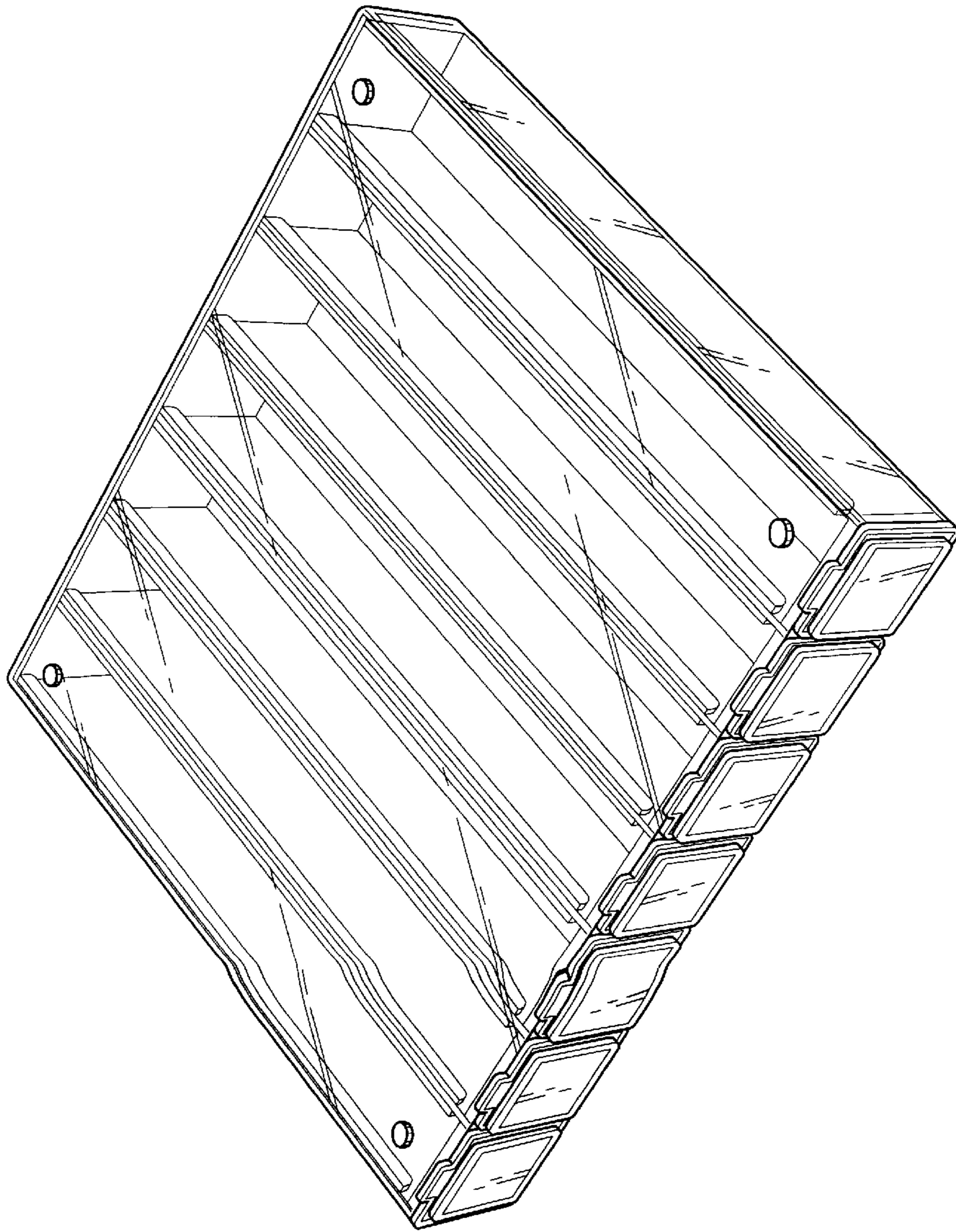


FIG. 1

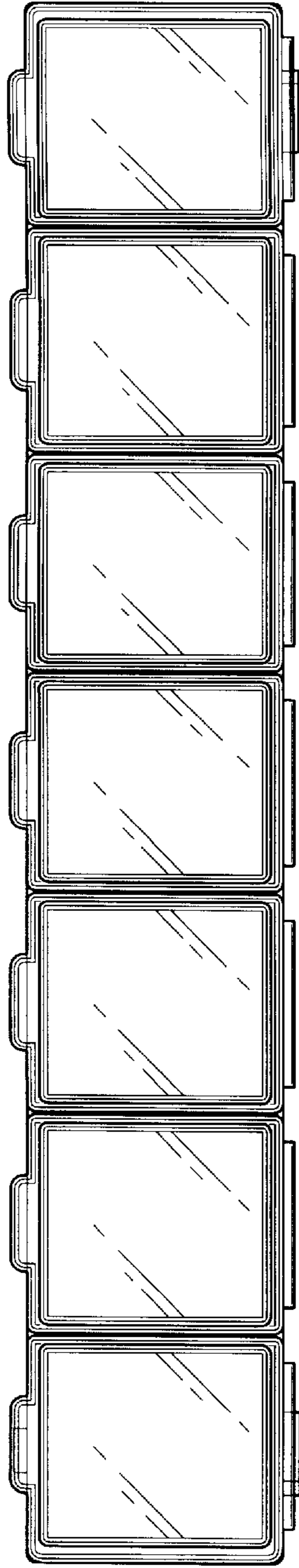


FIG. 3

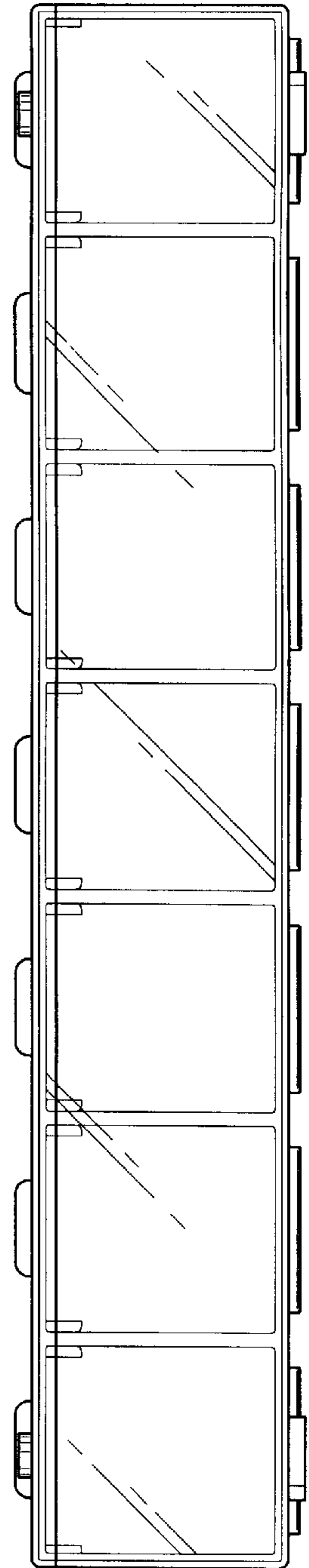


FIG. 4

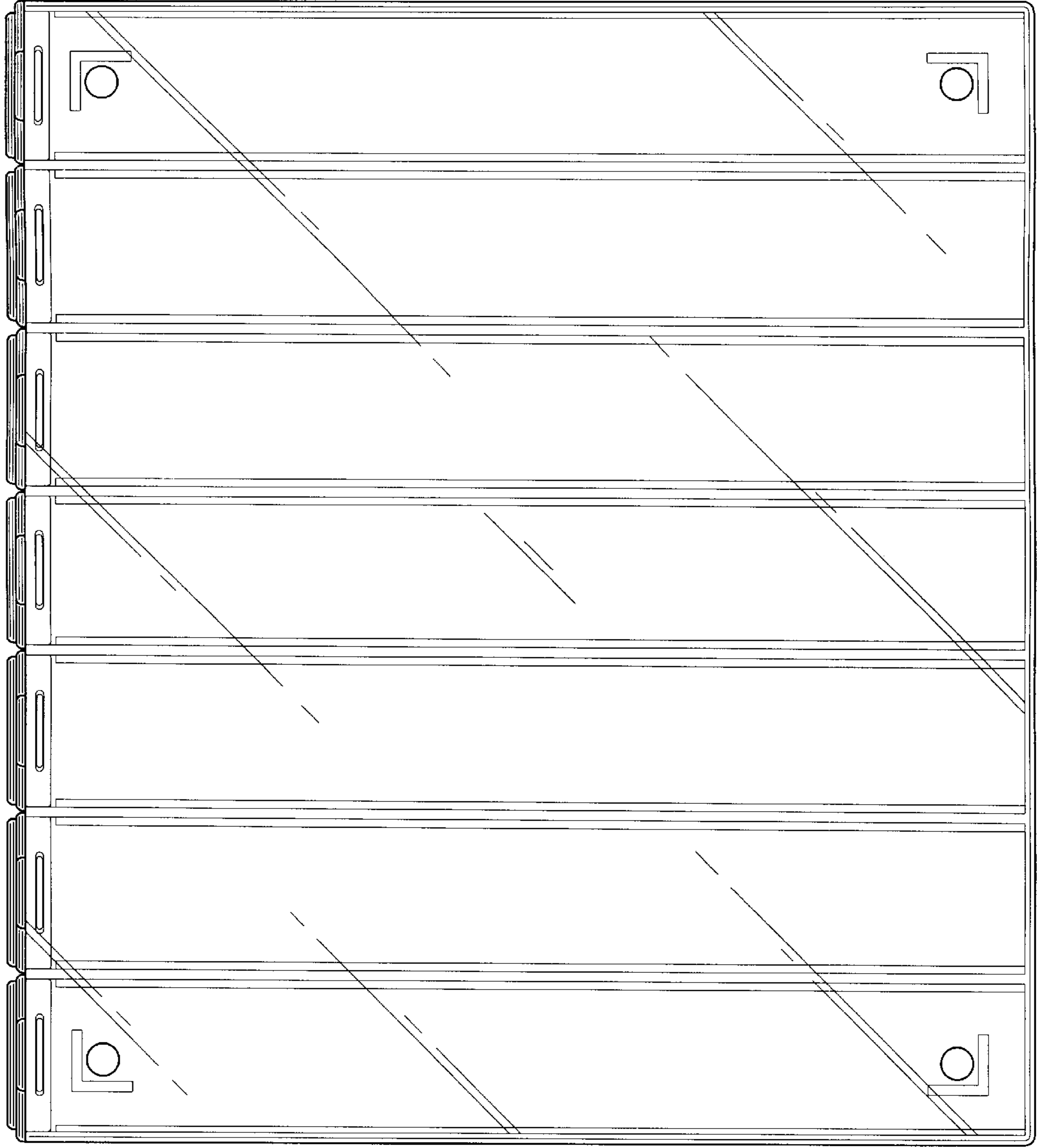


FIG. 5

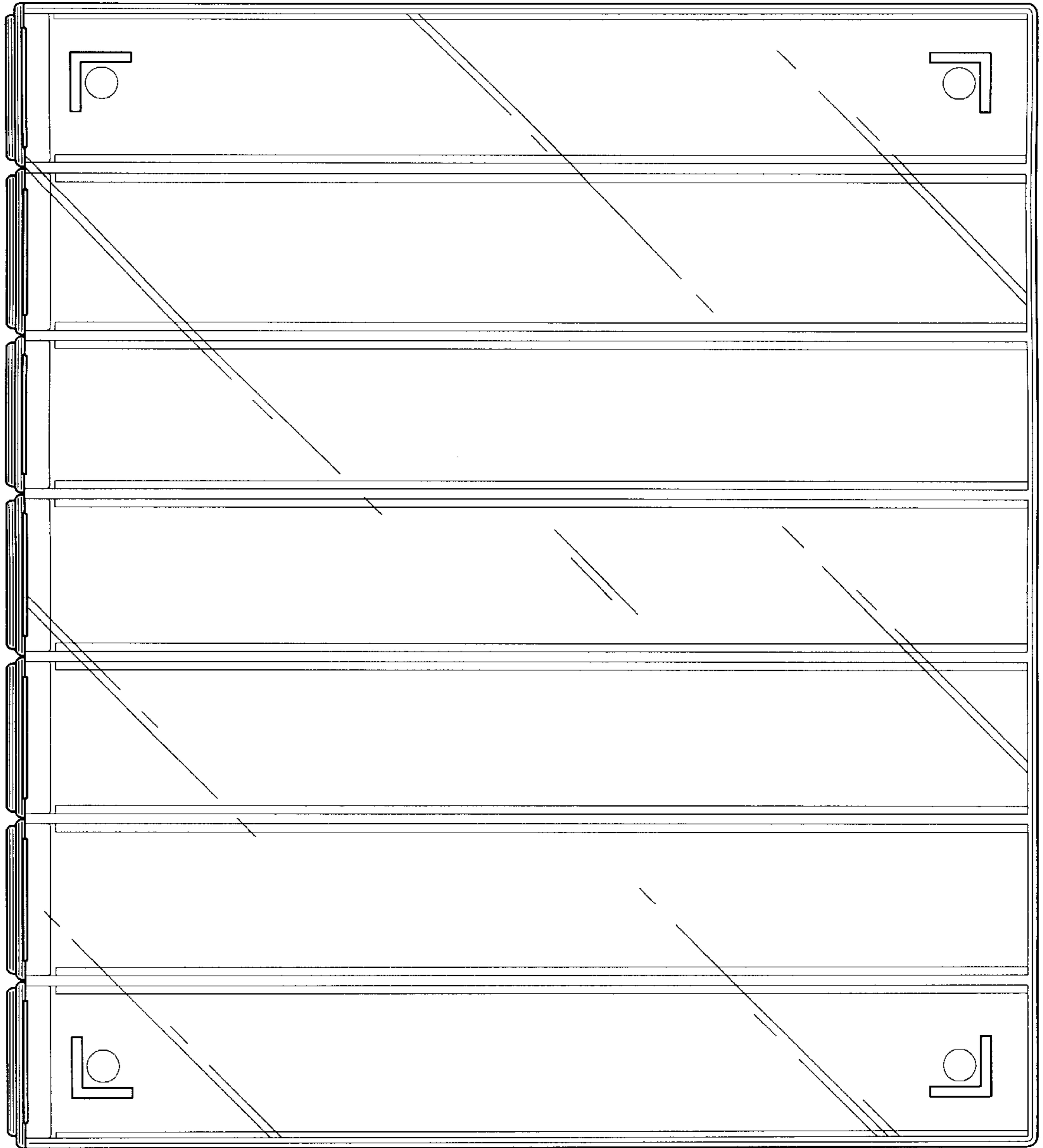


FIG. 6